



US00D466311S

(12) **United States Design Patent**
Hawkins

(10) **Patent No.:** **US D466,311 S**

(45) **Date of Patent:** **** Dec. 3, 2002**

(54) **GARMENT HANGER**

5,934,525 A * 8/1999 Blanchard 223/85
D454,257 S * 3/2002 Hunt D6/326

(75) Inventor: **Michael Anthony Hawkins,**
Handbridge (GB)

* cited by examiner

(73) Assignee: **Mainetti (UK) Limited,** Jedburgh (GB)

Primary Examiner—B. J. Bullock

(74) *Attorney, Agent, or Firm*—Jack Schwartz

(**) Term: **14 Years**

(57) **CLAIM**

(21) Appl. No.: **29/152,198**

The ornamental design for a garment hanger, as shown and described.

(22) Filed: **Dec. 14, 2001**

DESCRIPTION

(30) **Foreign Application Priority Data**

Jun. 15, 2001 (GB) 2102583

(51) **LOC (7) Cl.** **06-08**

(52) **U.S. Cl.** **D6/328; D6/326**

(58) **Field of Search** D6/315–319, 326–328,
D6/513; D8/395; 211/113, 119, 118; 24/500,
507, 509–511; 223/85–96, 98, DIG. 1,
DIG. 2

FIG. 1 is a front side view of the garment hanger of the present invention;

FIG. 2 is a top side view of the garment hanger of the present invention;

FIG. 3 is a right side view of the garment hanger of the present invention;

FIG. 4 is a left side view of the garment hanger of the present invention;

FIG. 5 is a bottom view of the garment hanger of the present invention; and,

FIG. 6 is a back view of the garment hanger of the present invention.

The broken lines are for illustrative purposes only and form no part of the claimed design.

(56) **References Cited**

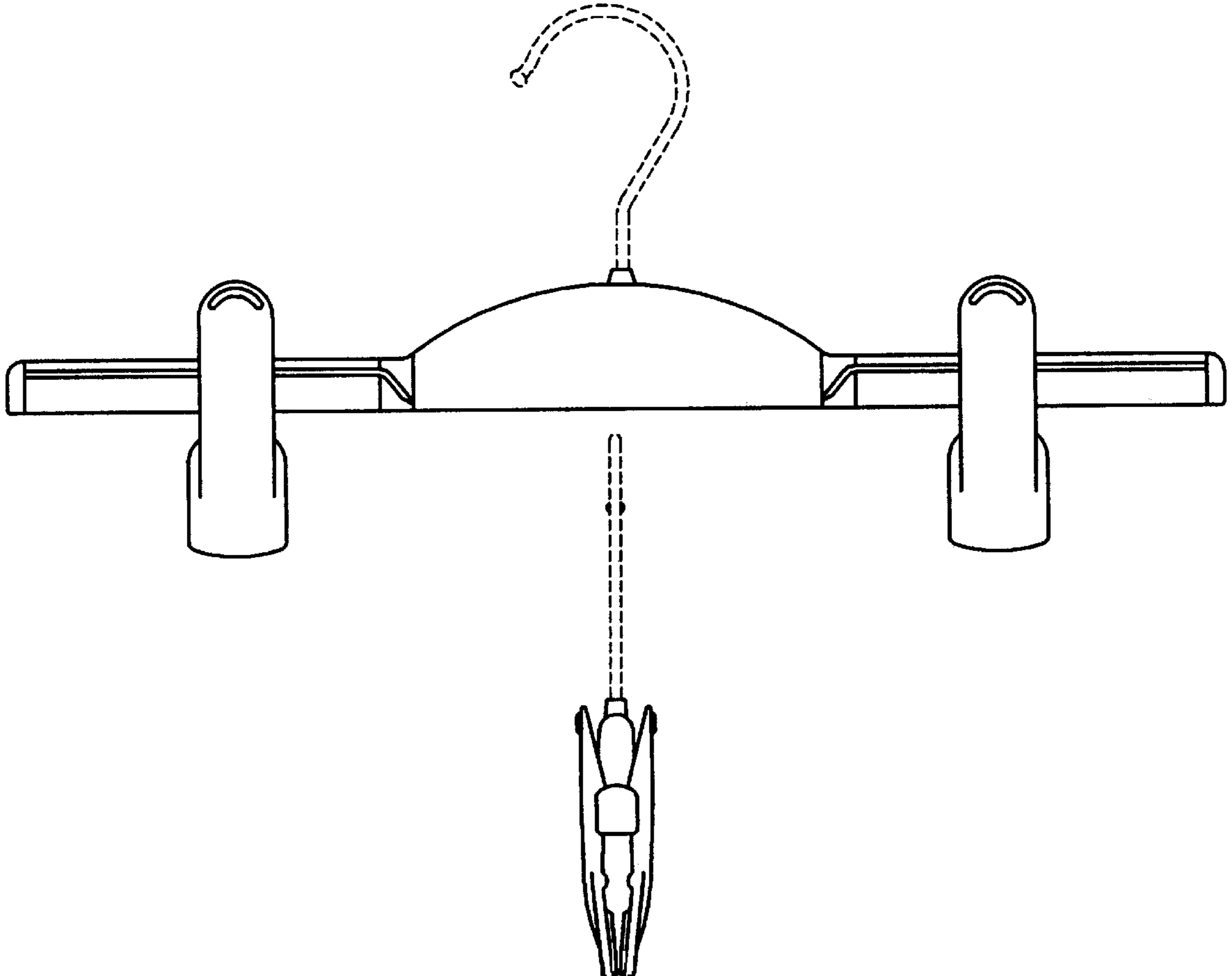
U.S. PATENT DOCUMENTS

4,826,056 A * 5/1989 Dueter et al. 223/96

D301,661 S * 6/1989 Wilson D6/326

D301,808 S * 6/1989 Marshall D6/326

1 Claim, 2 Drawing Sheets



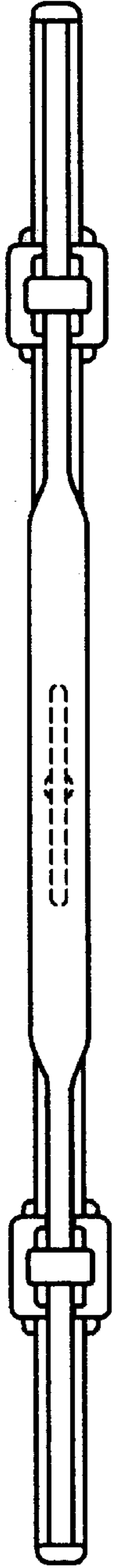


FIGURE 2

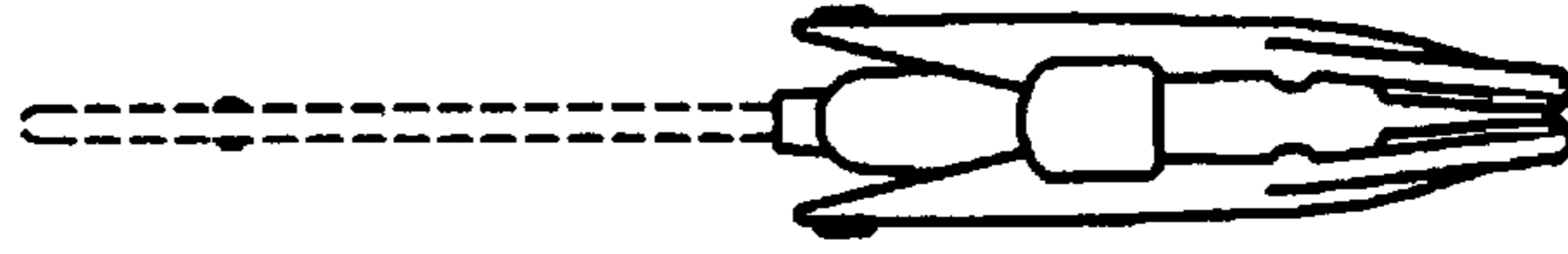


FIGURE 3

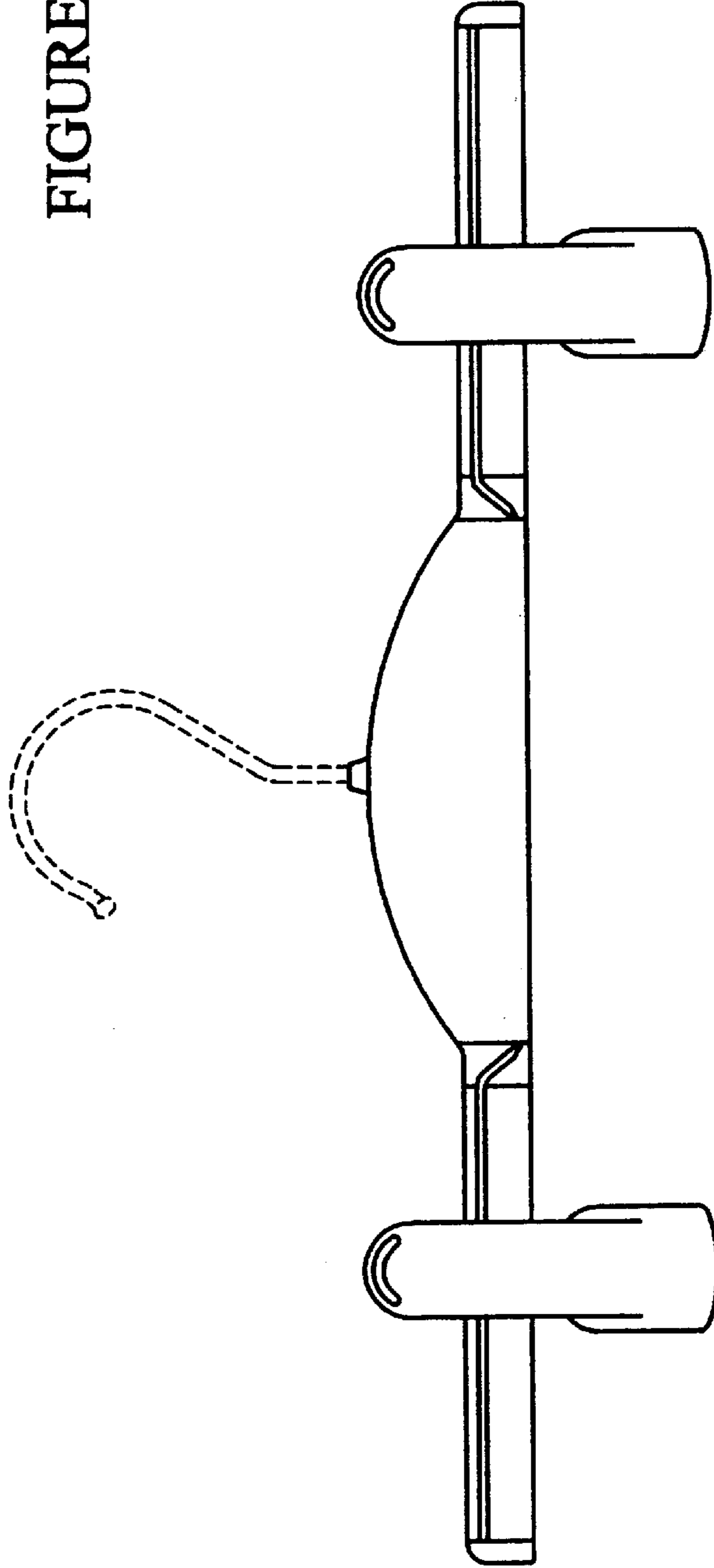


FIGURE 1

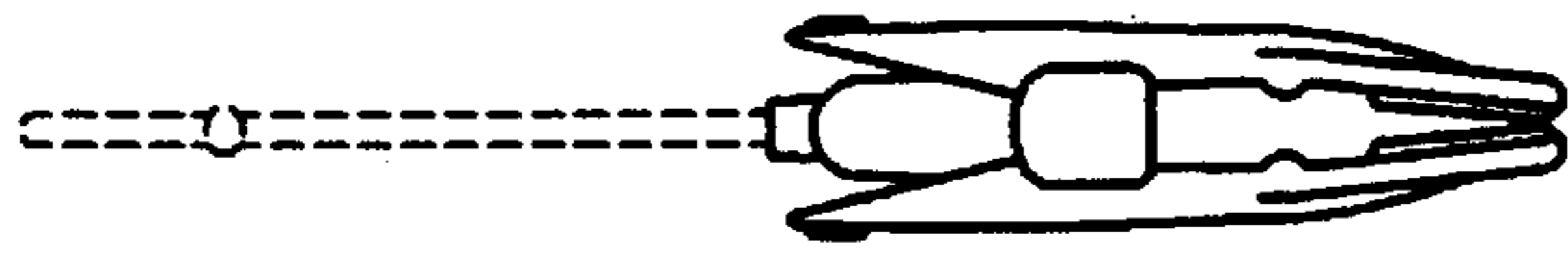


FIGURE 4

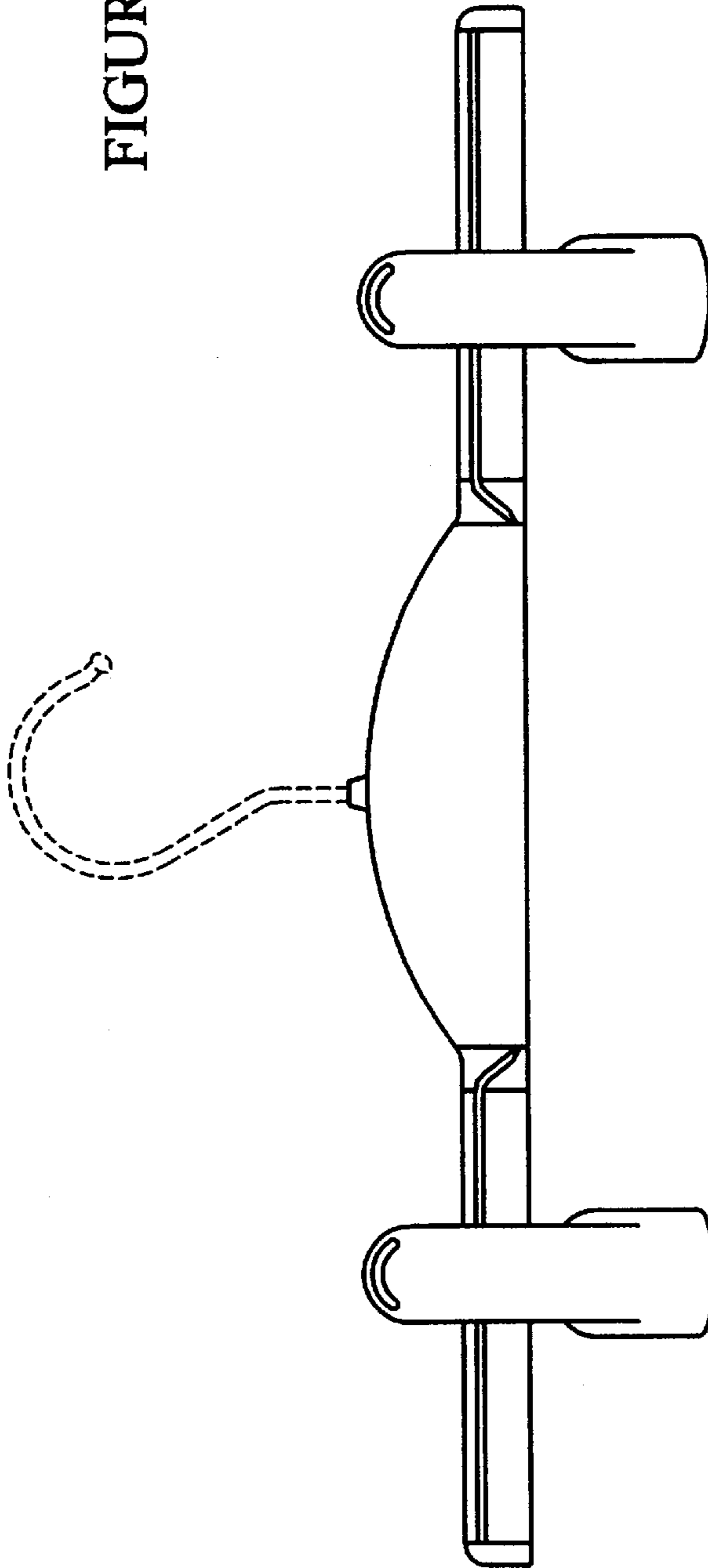


FIGURE 6

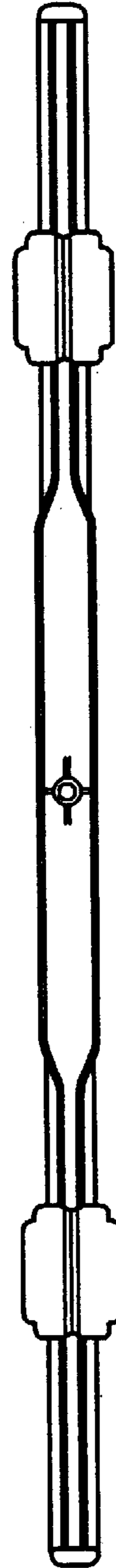


FIGURE 5