



US00D466310S

(12) **United States Design Patent**
Vaes

(10) **Patent No.:** **US D466,310 S**

(45) **Date of Patent:** **** Dec. 3, 2002**

(54) **PAINT BRUSH HANDLE**

(76) Inventor: **Ed Vaes**, 223 Avondale Street,
Hamilton, Ontario (CA), L8L 7C4

(**) Term: **14 Years**

(21) Appl. No.: **29/139,796**

(22) Filed: **Apr. 6, 2001**

(51) **LOC (7) Cl.** **04-04**

(52) **U.S. Cl.** **D4/138**

(58) **Field of Search** D4/132, 135, 138;
15/143.1, 159.1, 160, 168, 191.1, 192-194,
202; 16/110.1, 430

(56) **References Cited**

U.S. PATENT DOCUMENTS

1,826,165	A	*	10/1931	Cartwright	15/143.1
3,874,021	A	*	4/1975	Jacobs	15/202
D273,636	S	*	5/1984	Chu	D4/138
4,590,637	A	*	5/1986	Marino	15/160
4,598,437	A	*	7/1986	Ernest et al.		

D412,618	S	*	8/1999	Parker et al.	D4/132
D453,628	S	*	2/2002	Tapley et al.	D4/138

* cited by examiner

Primary Examiner—Alan P. Douglas

Assistant Examiner—Lavone Tabor

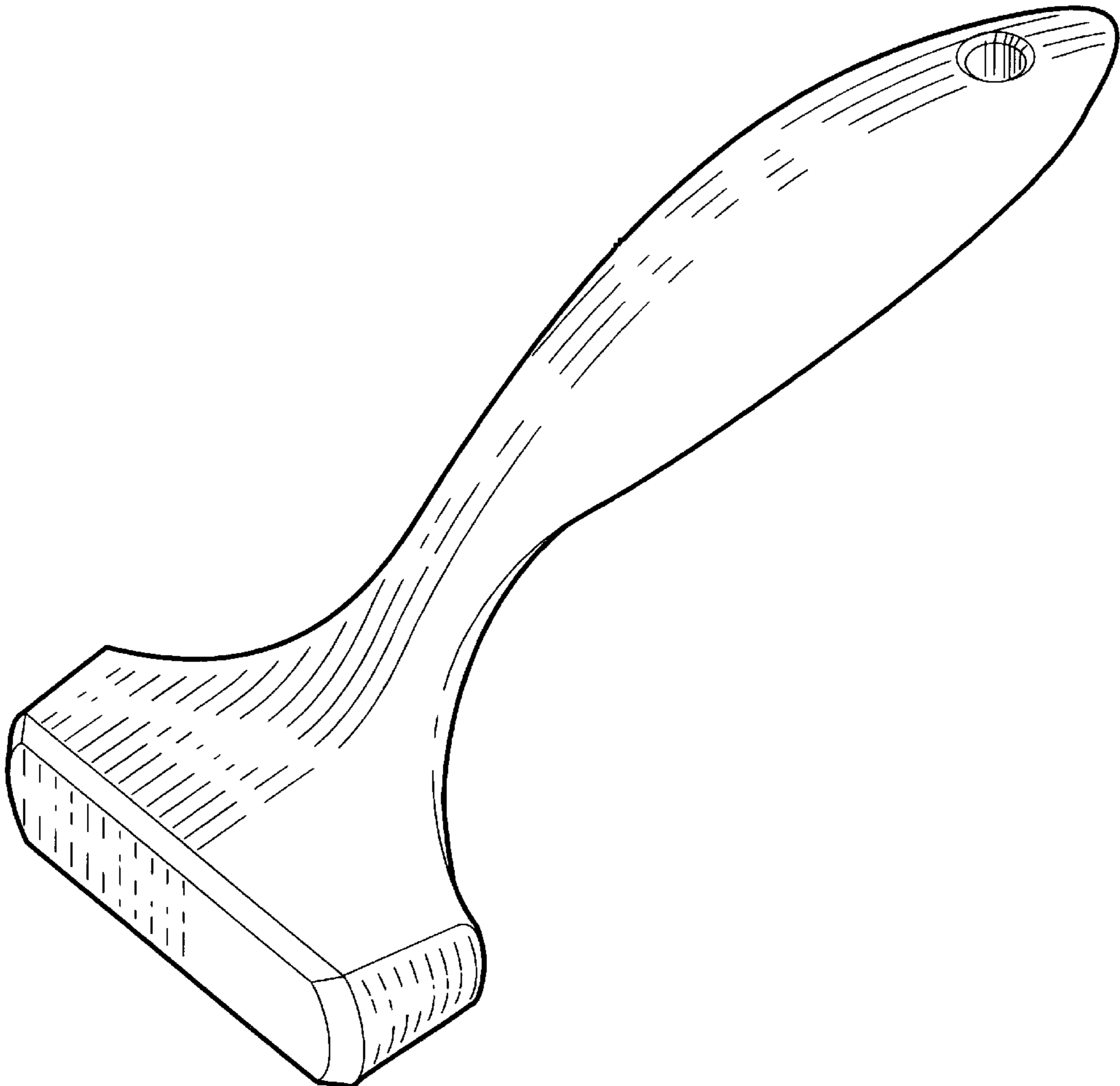
(57) **CLAIM**

The ornamental design for a paint brush handle, as shown.

DESCRIPTION

FIG. 1 is a side elevational view of a paint brush handle showing my new design;
 FIG. 2 is a left end elevational view of FIG. 1;
 FIG. 3 is a top plan view of FIG. 1;
 FIG. 4 is cross-sectional view taken along line 4—4 of FIG. 1;
 FIG. 5 is a cross-sectional view taken along line 5—5 of FIG. 3;
 FIG. 6 is an enlarged top perspective view of FIG. 1; and,
 FIG. 7 is a bottom perspective view of FIG. 6.

1 Claim, 3 Drawing Sheets



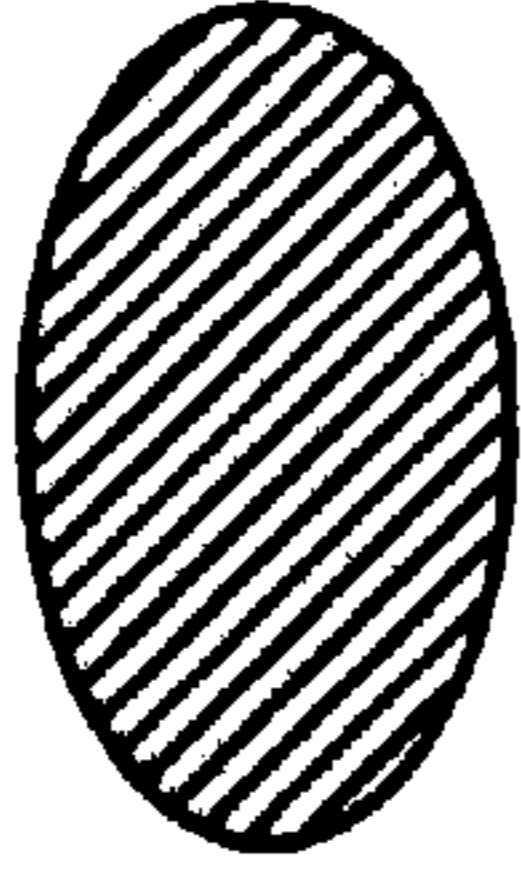
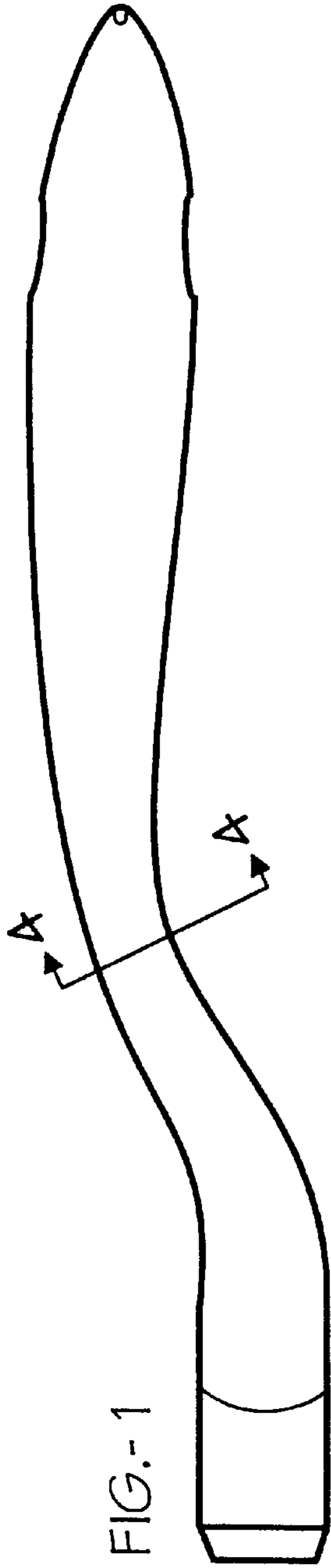


FIG.- 4

FIG.- 5

FIG.- 3

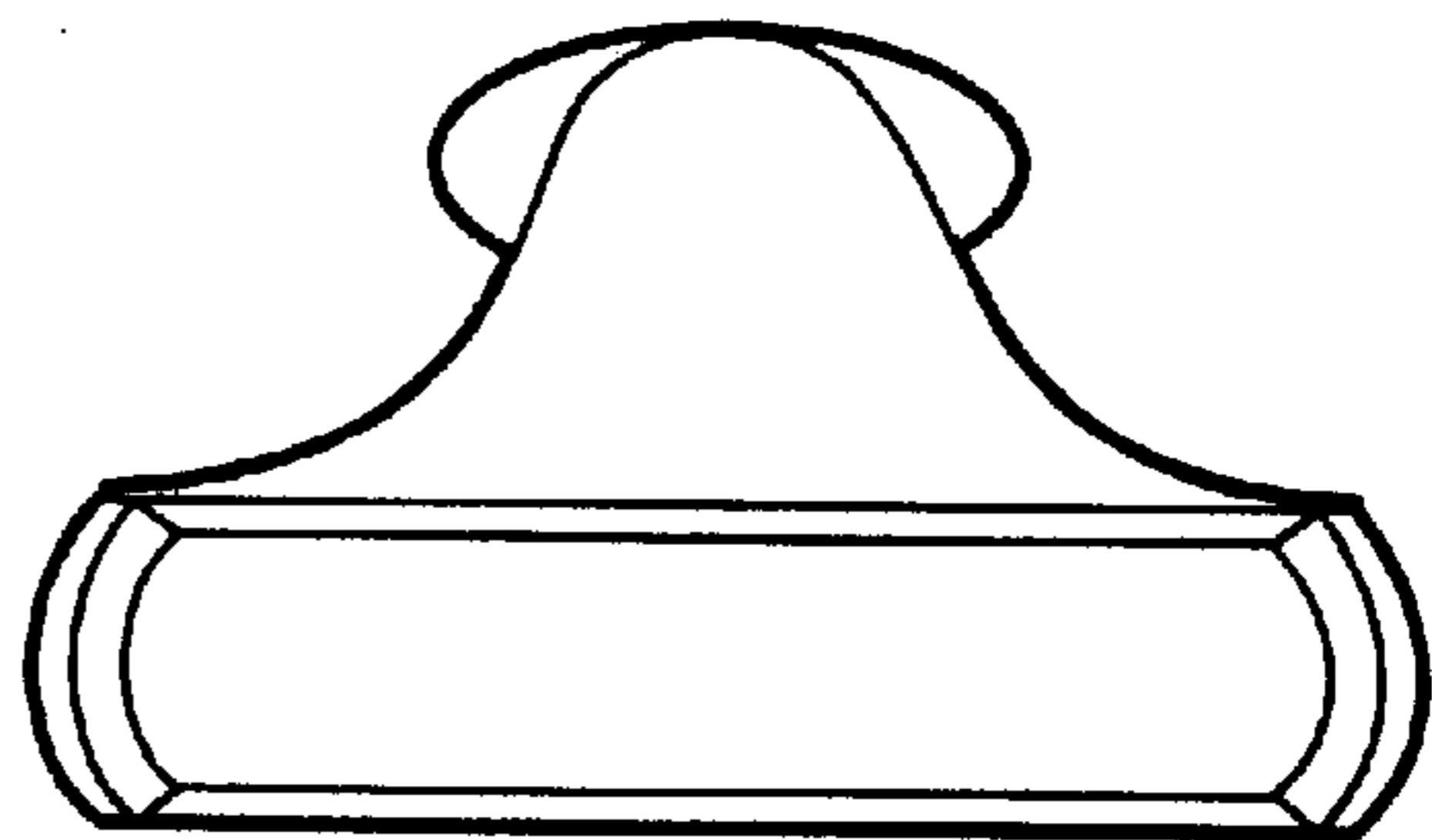


FIG.- 2

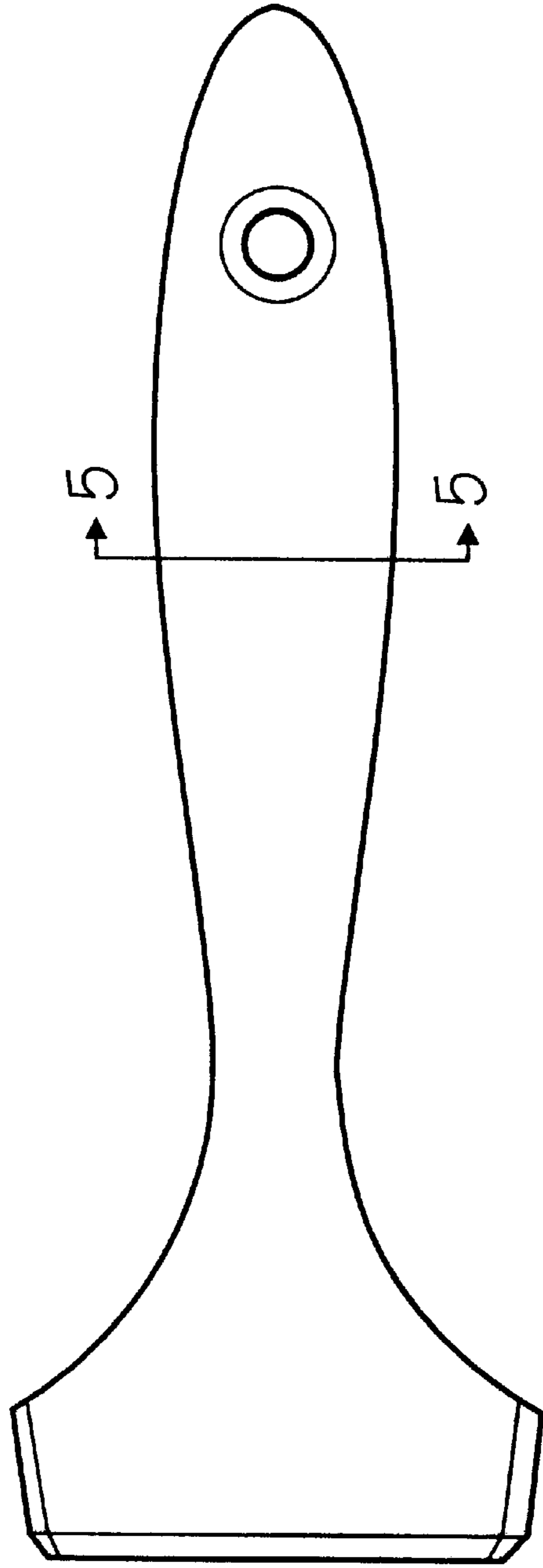


FIG.- 3

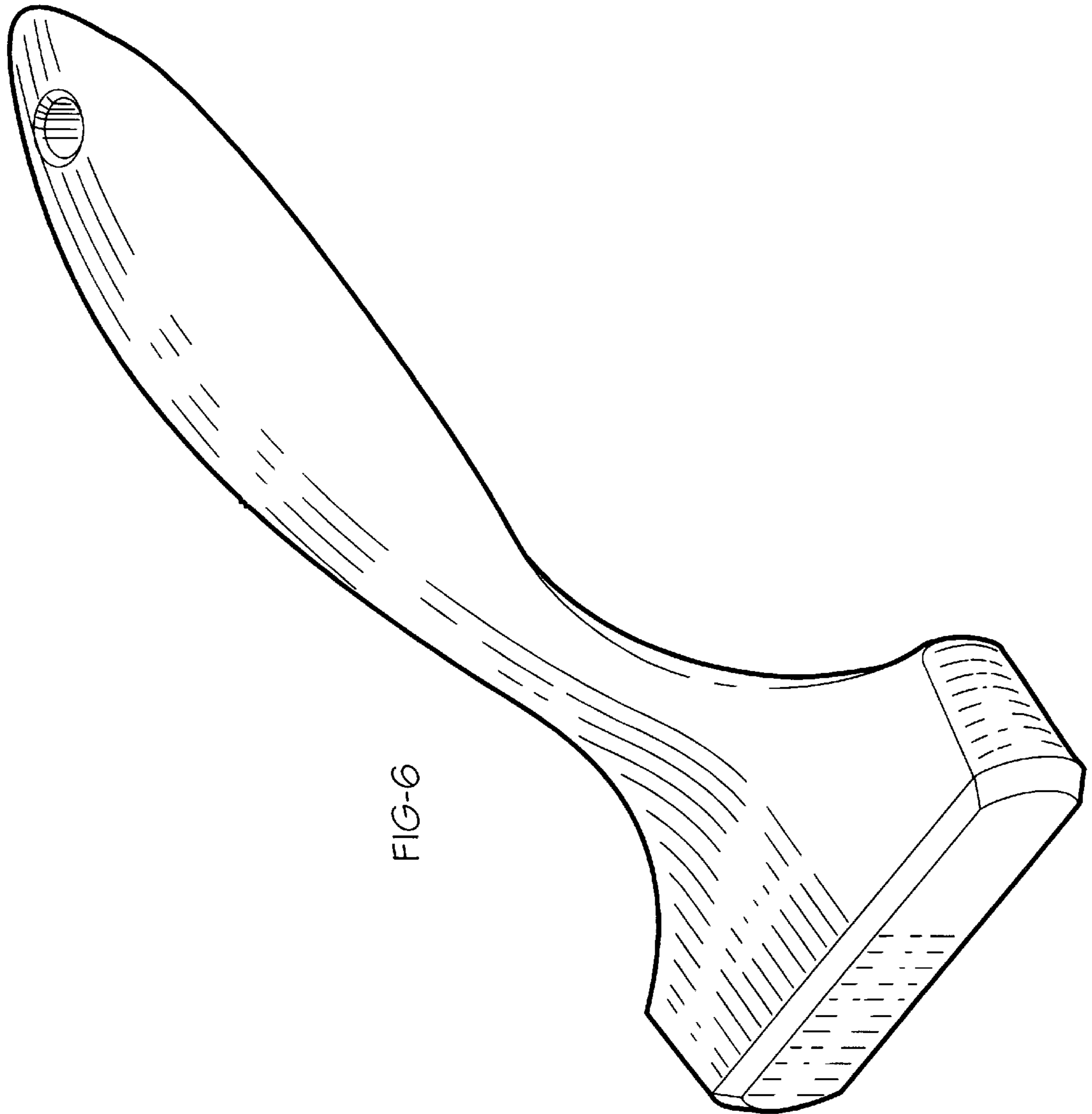


FIG-6

FIG-7

