



US00D466307S

(12) **United States Design Patent**
Cantrell

(10) **Patent No.:** **US D466,307 S**

(45) **Date of Patent:** **** Dec. 3, 2002**

(54) **TRIANGULAR GRILL BRUSH**

D400,328 S * 10/1998 Zemel D32/49
D411,368 S * 6/1999 Liu D4/118

(75) **Inventor:** **Chris Cantrell**, Midland, GA (US)

* cited by examiner

(73) **Assignee:** **W. C. Bradley Company**, Columbus, GA (US)

Primary Examiner—M. H. Tung
Assistant Examiner—Lavone Tabor

(**) **Term:** **14 Years**

(74) *Attorney, Agent, or Firm*—James W. Kayden; Thomas, Kayden, Horstemeyer & Risley, LLP

(21) **Appl. No.:** **29/157,600**

(57) **CLAIM**

(22) **Filed:** **Mar. 21, 2002**

The ornamental design of a triangular grill brush, as shown and described.

(51) **LOC (7) Cl.** **04-01**

(52) **U.S. Cl.** **D4/118; D4/120; D32/42**

(58) **Field of Search** D4/116, 118–120, D4/132, 134, 138; D32/42, 49, 51; 15/107, 111, 114, 143.1, 159.1, 160, 236.01, 236.08, 244.1; 16/110.1

DESCRIPTION

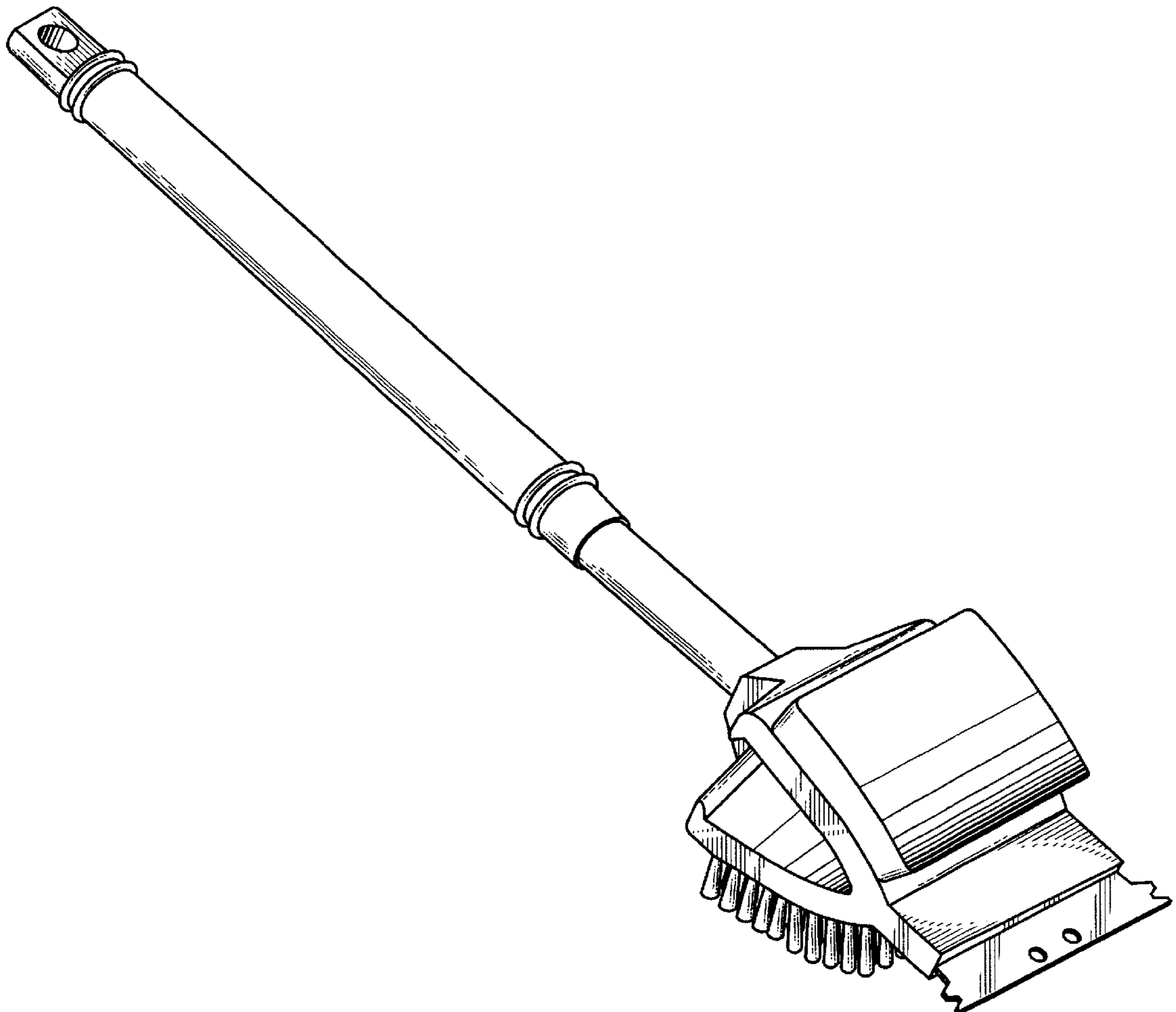
FIG. 1 is a perspective view showing my new triangular grill brush;
FIG. 2 is a right side elevational view thereof, the left side thereof being a mirror image of that which is shown;
FIG. 3 is a front elevational view thereof;
FIG. 4 is a rear elevational view thereof;
FIG. 5 is a top plan view thereof; and,
FIG. 6 is a bottom plan view thereof.

(56) **References Cited**

U.S. PATENT DOCUMENTS

- 5,373,600 A * 12/1994 Stojanovski et al. 15/111
- 5,479,673 A * 1/1996 Carton 15/111
- D366,962 S * 2/1996 Whitaker D4/116

1 Claim, 3 Drawing Sheets



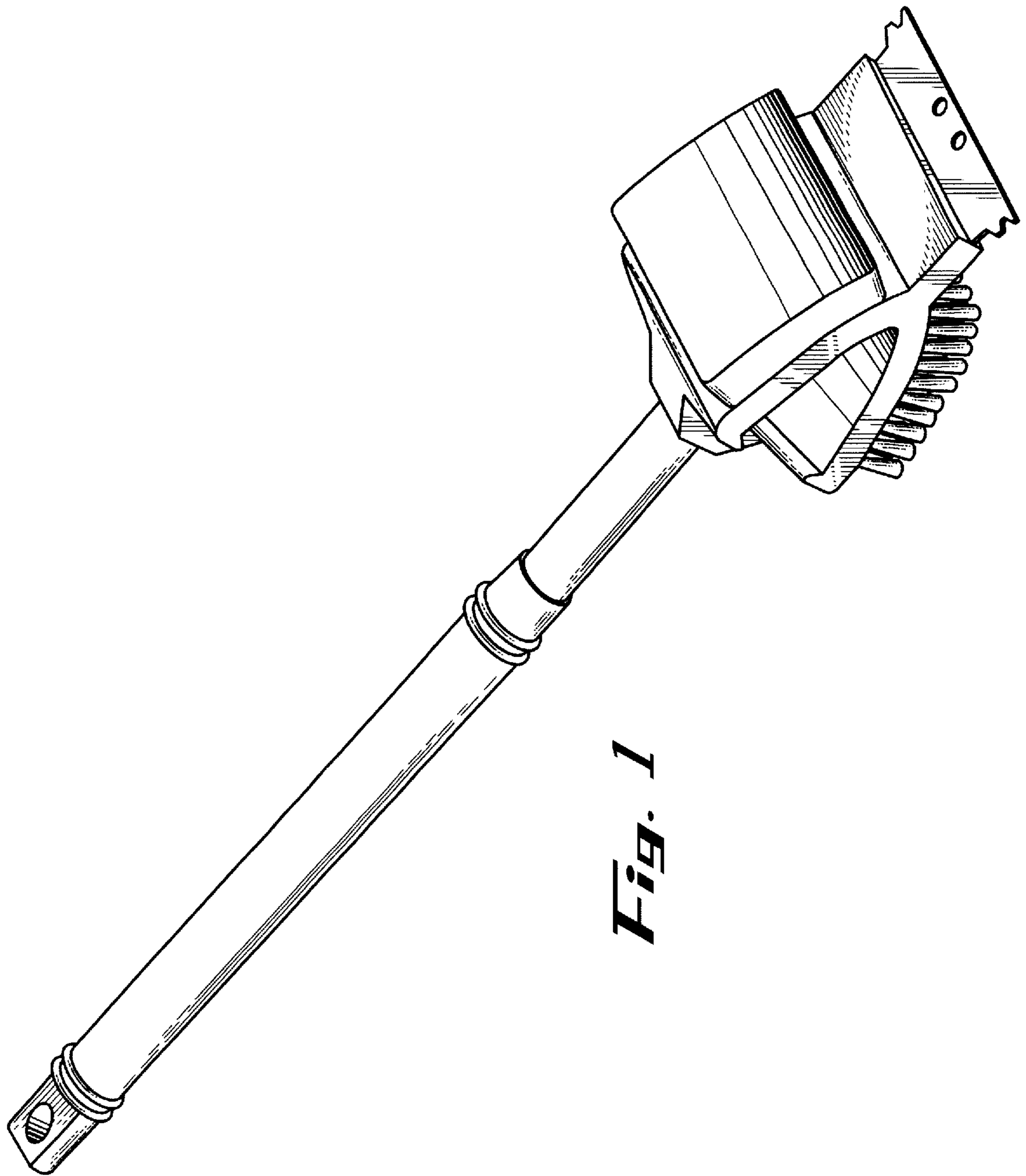


Fig. 1

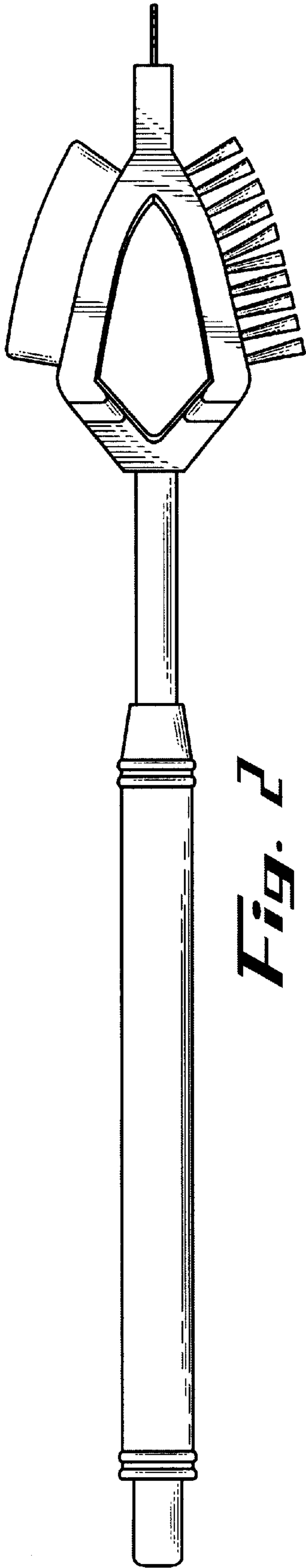


Fig. 1

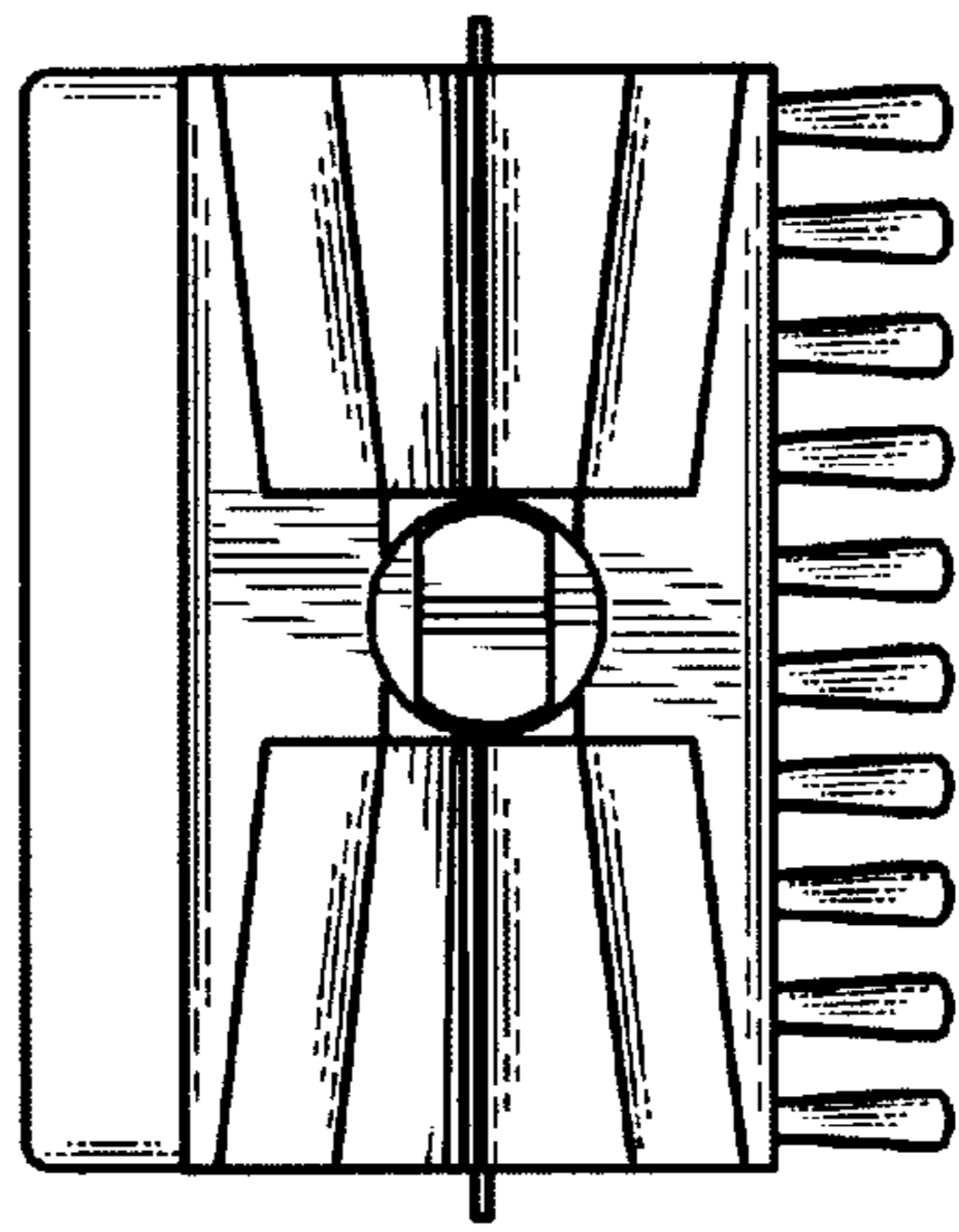


Fig. 4

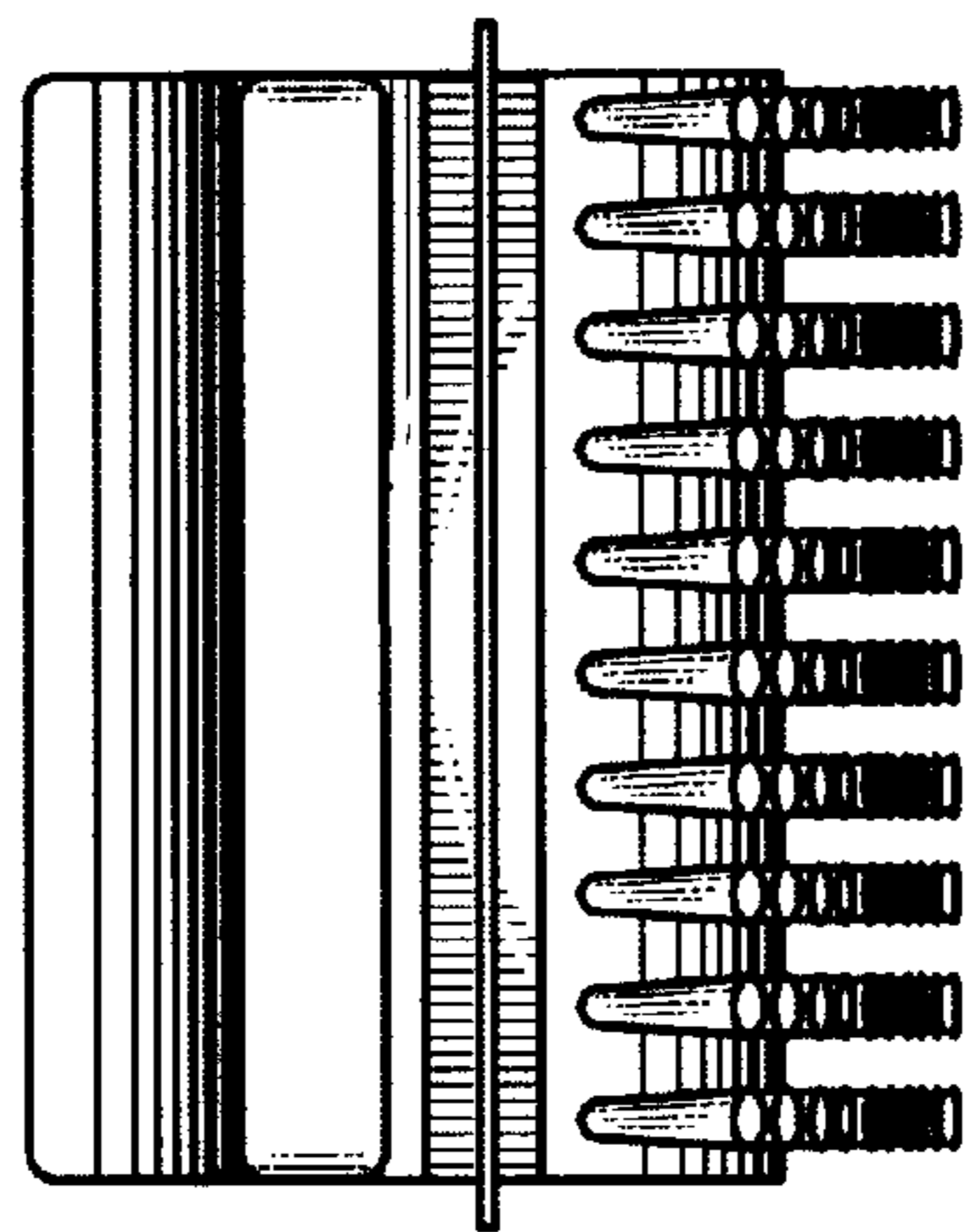


Fig. 3

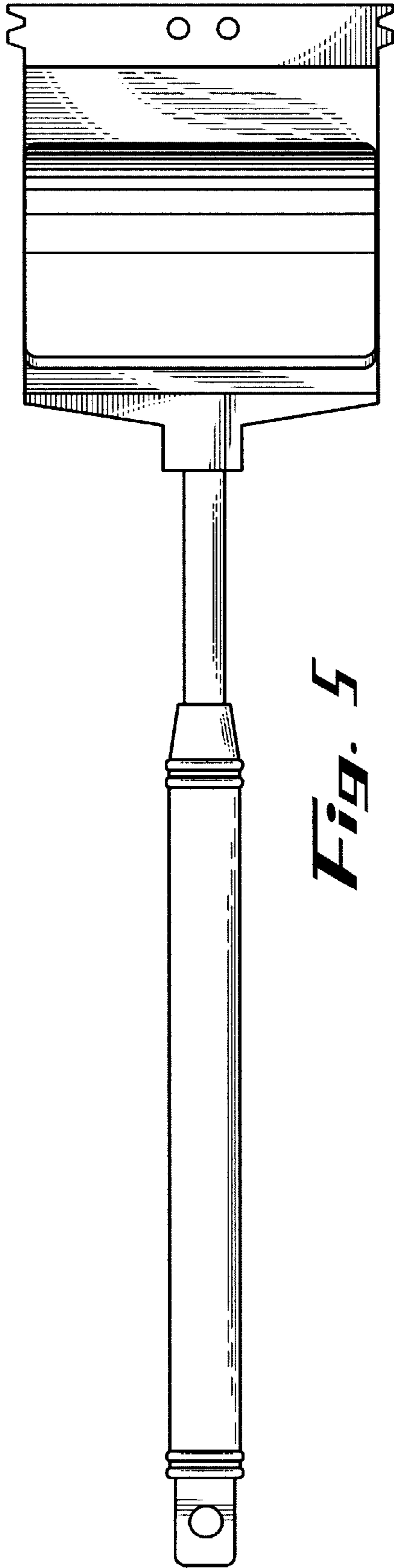


Fig. 5

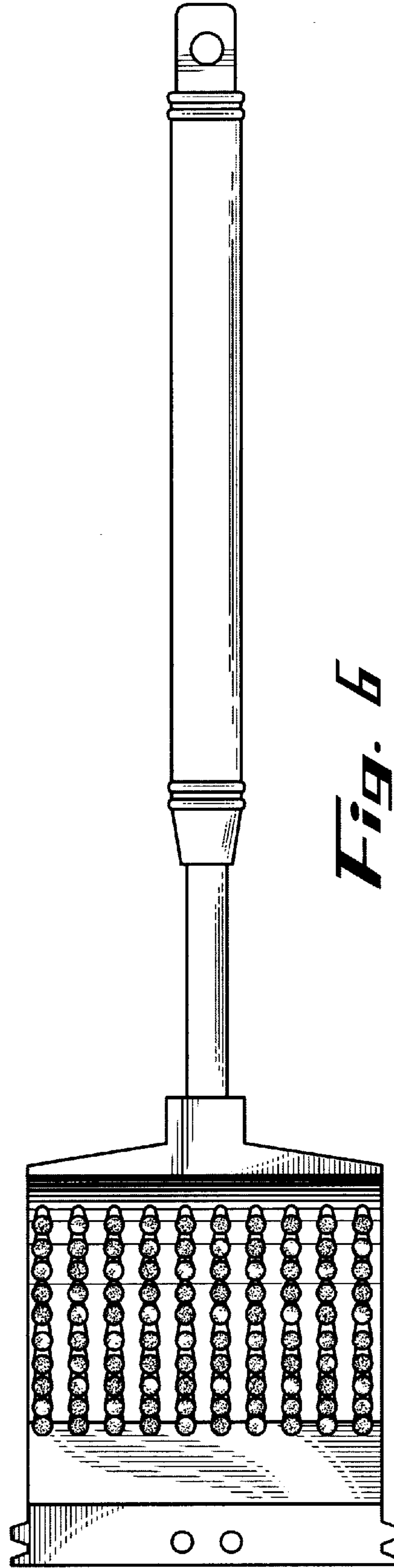


Fig. 6