



US00D466304S

(12) **United States Design Patent**
Phanelson et al.

(10) **Patent No.:** **US D466,304 S**

(45) **Date of Patent:** **** Dec. 3, 2002**

(54) **COMBINED TOOTHBRUSH AND PASTE DISPENSER WITH CAP**

D443,143 S * 6/2001 Ponceano D4/108

* cited by examiner

(76) Inventors: **Cecil N. Phanelson**, 850 Laurel Park Ave., Martinsville, VA (US) 24112;
Agnes H. Phanelson, 850 Laurel Park Ave., Martinsville, VA (US) 24112

Primary Examiner—Lisa Lichtenstein

(**) Term: **14 Years**

(57) **CLAIM**

The ornamental design for a combined toothbrush and paste dispenser with cap, as shown and described.

(21) Appl. No.: **29/149,590**

DESCRIPTION

(22) Filed: **Oct. 15, 2001**

FIG. 1 is an exploded front view of a combined toothbrush and paste dispenser with cap showing our new design.

(51) **LOC (7) Cl.** **04-02**

FIG. 2 is an exploded rear view of the toothbrush and toothpaste dispenser apparatus.

(52) **U.S. Cl.** **D4/108**

FIG. 3 is an exploded first side view of the toothbrush and toothpaste dispenser apparatus.

(58) **Field of Search** D4/101, 104-114, D4/121, 134, 138; 15/167.1, 184; 132/308, 311; 401/152, 156, 158, 161, 176-179, 269, 270, 280, 286-288

FIG. 4 is an exploded second side view of the toothbrush and toothpaste dispenser apparatus.

(56) **References Cited**

U.S. PATENT DOCUMENTS

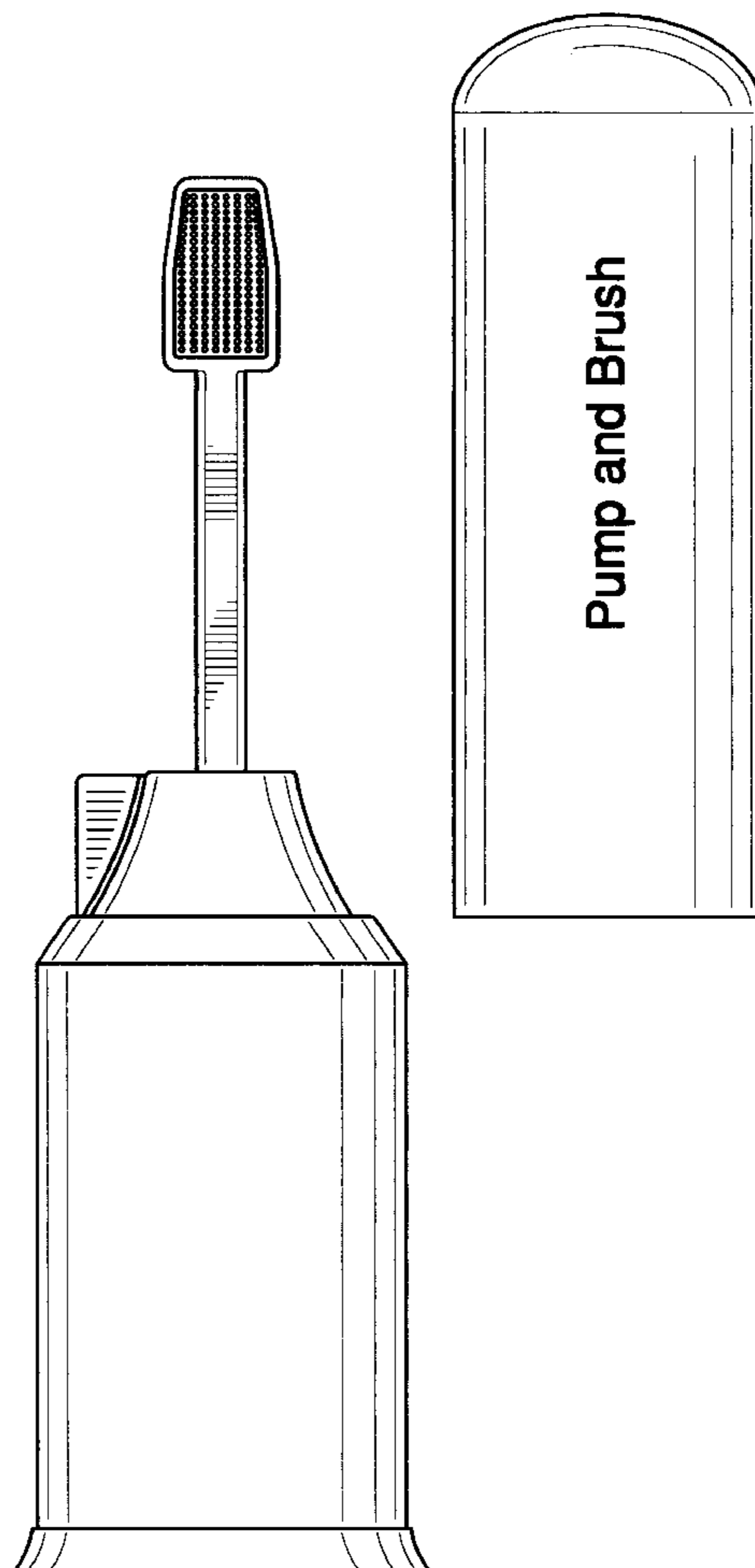
- 3,383,157 A * 5/1968 Goldhirsh 222/402.24
- D373,023 S * 8/1996 Otero et al. D4/108
- D400,013 S * 10/1998 Moulton D4/108

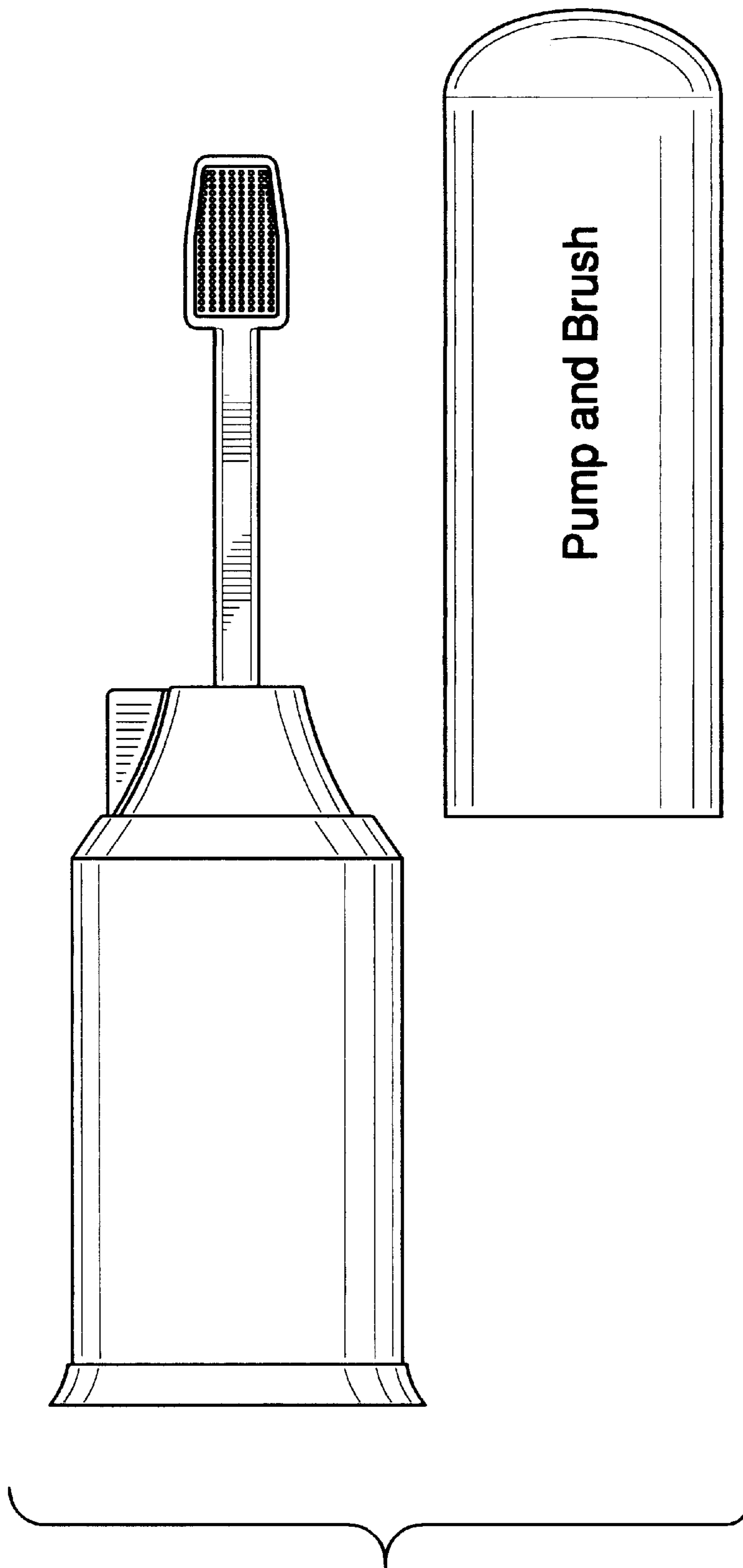
FIG. 5 is an exploded top view of the toothbrush and toothpaste dispenser apparatus.

FIG. 6 is an exploded bottom view of the toothbrush and toothpaste dispenser apparatus; and,

FIG. 7 is a perspective view of the toothbrush and toothpaste dispenser apparatus.

1 Claim, 7 Drawing Sheets





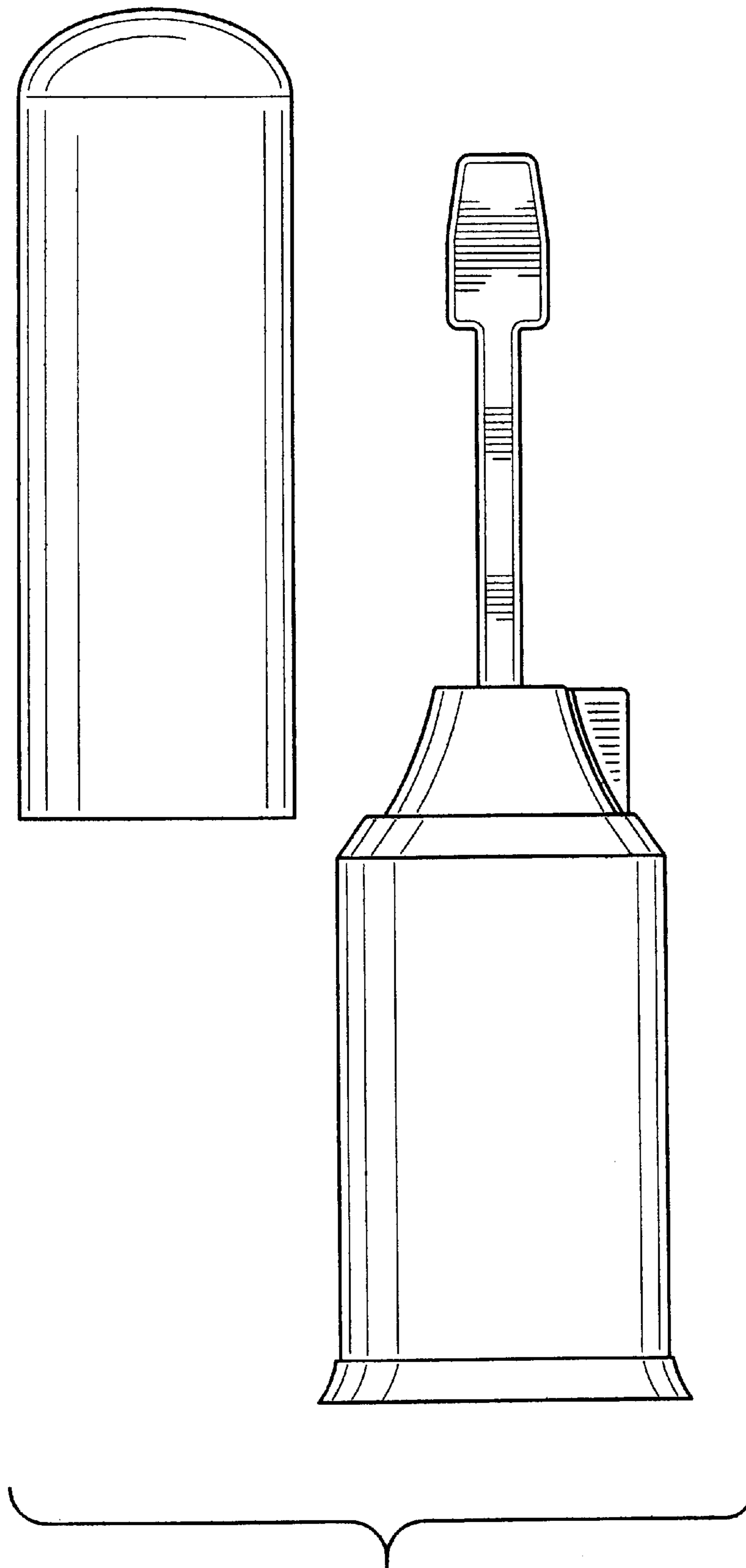


FIG. 2

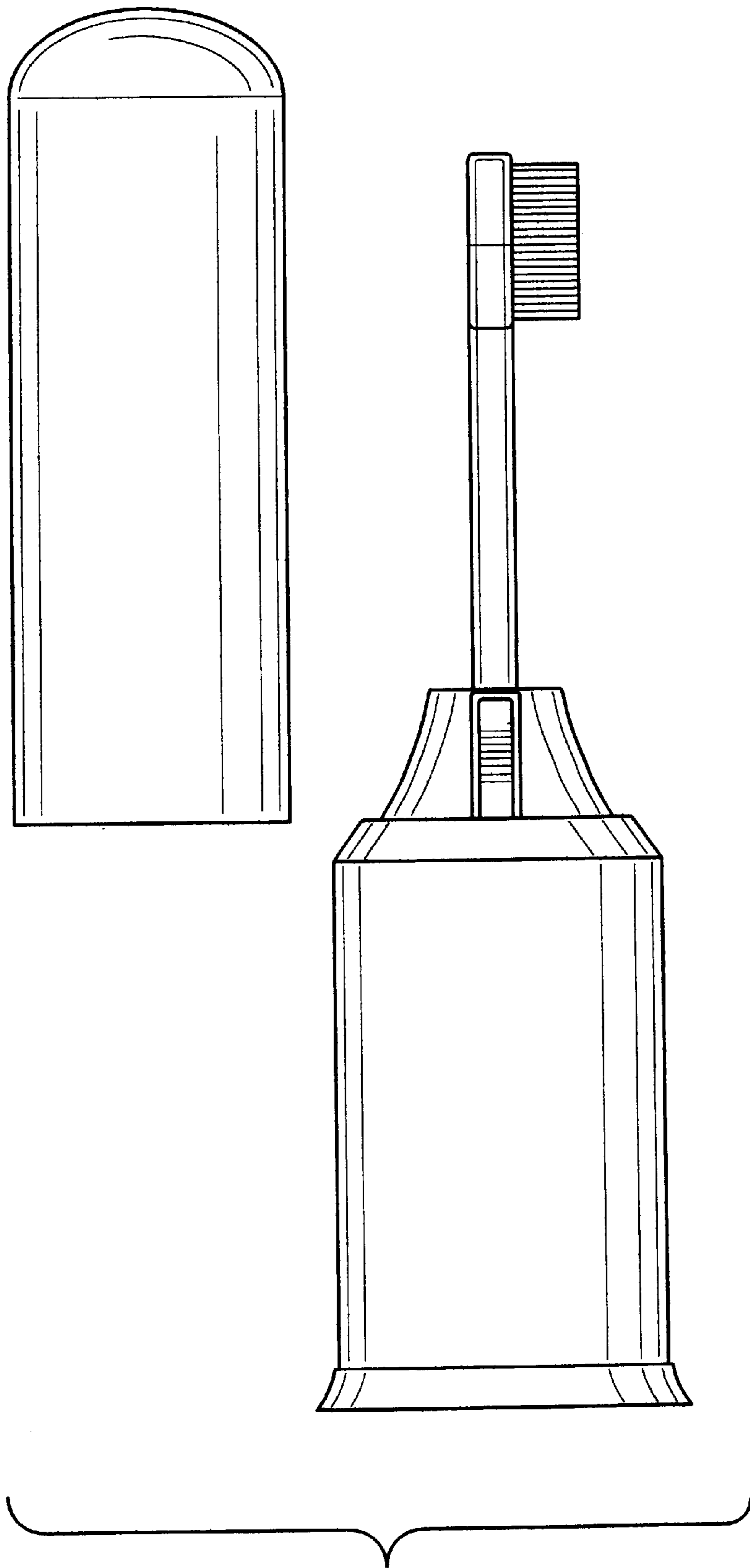


FIG.3

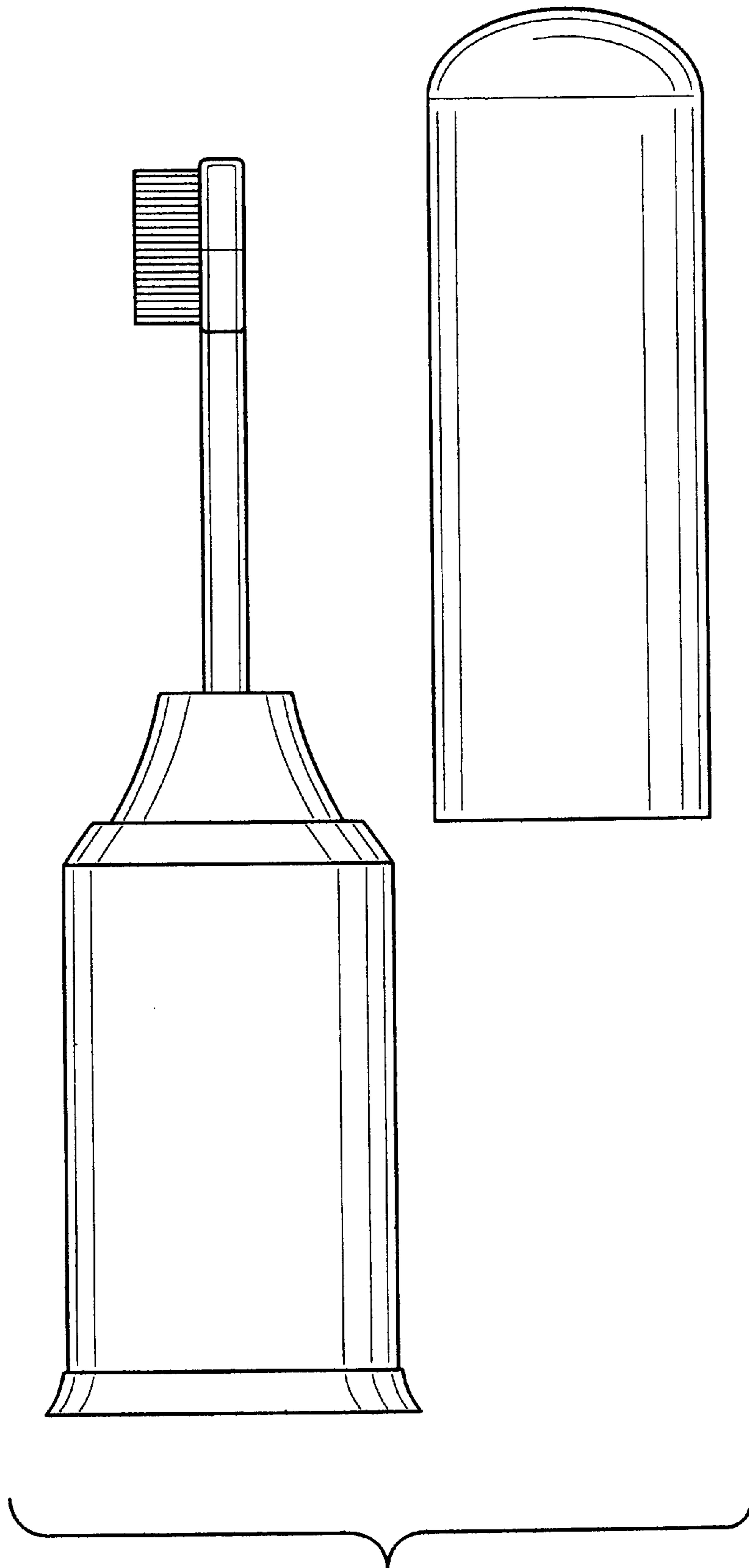


FIG. 4

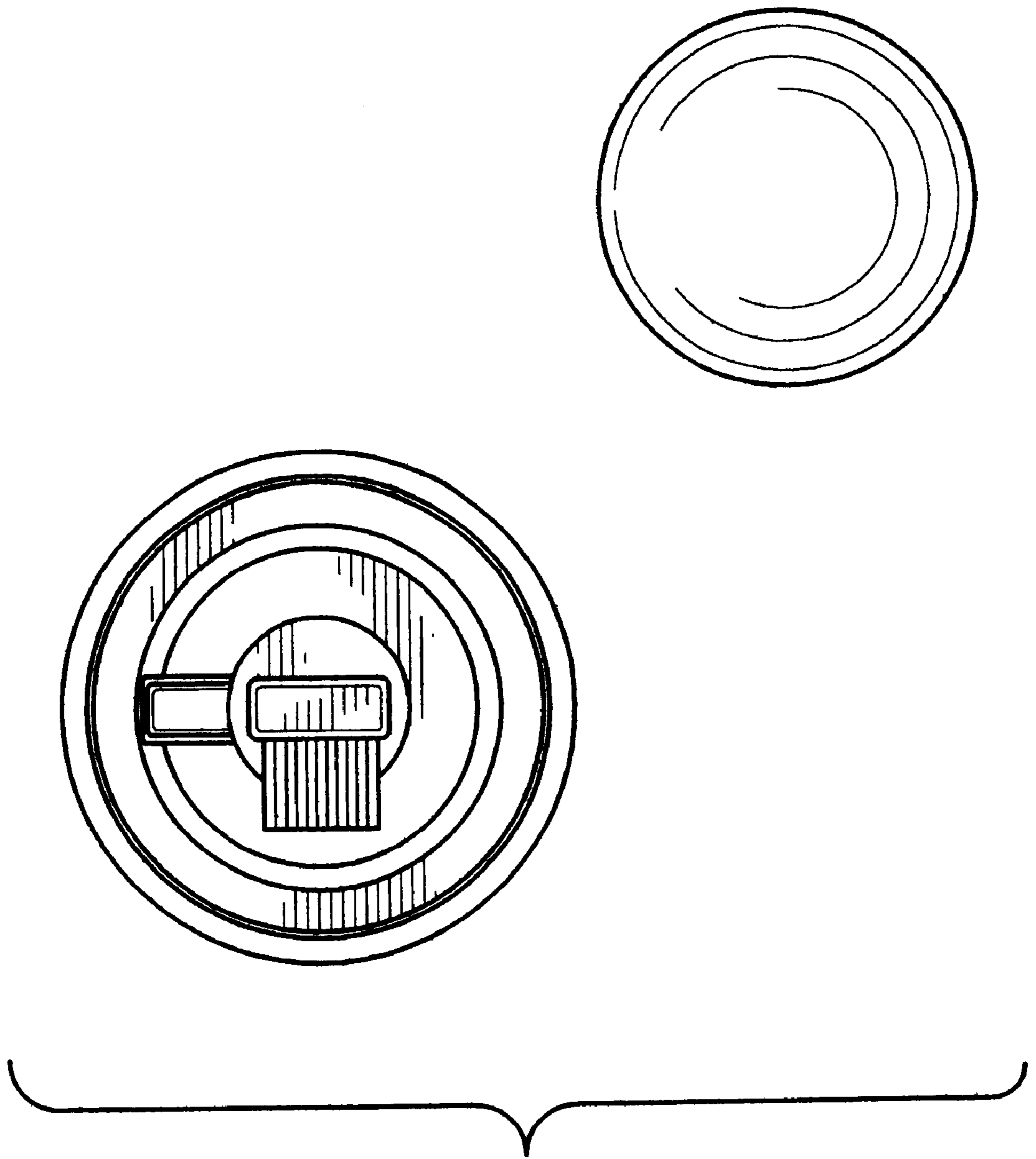


FIG.5

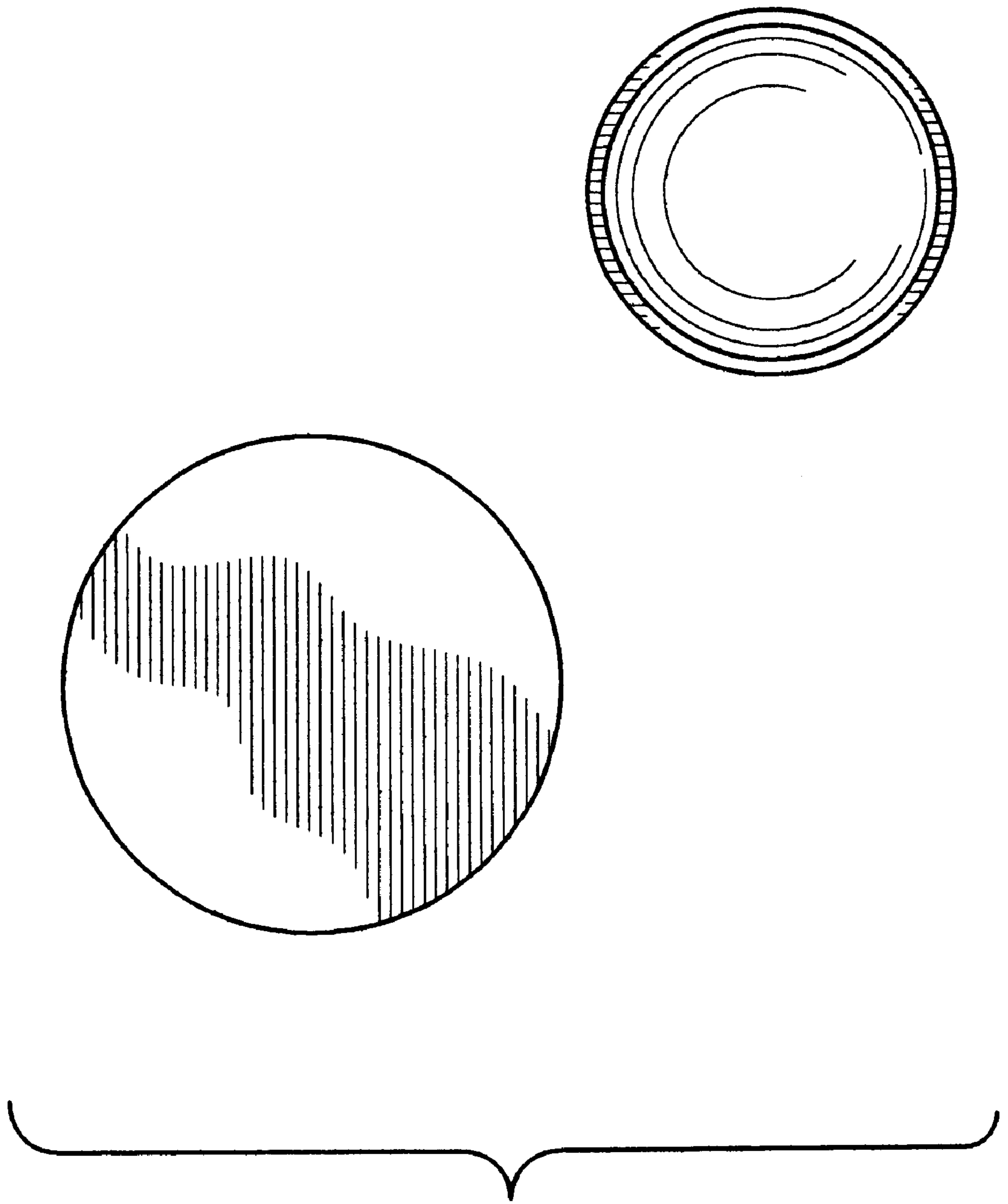


FIG. 6

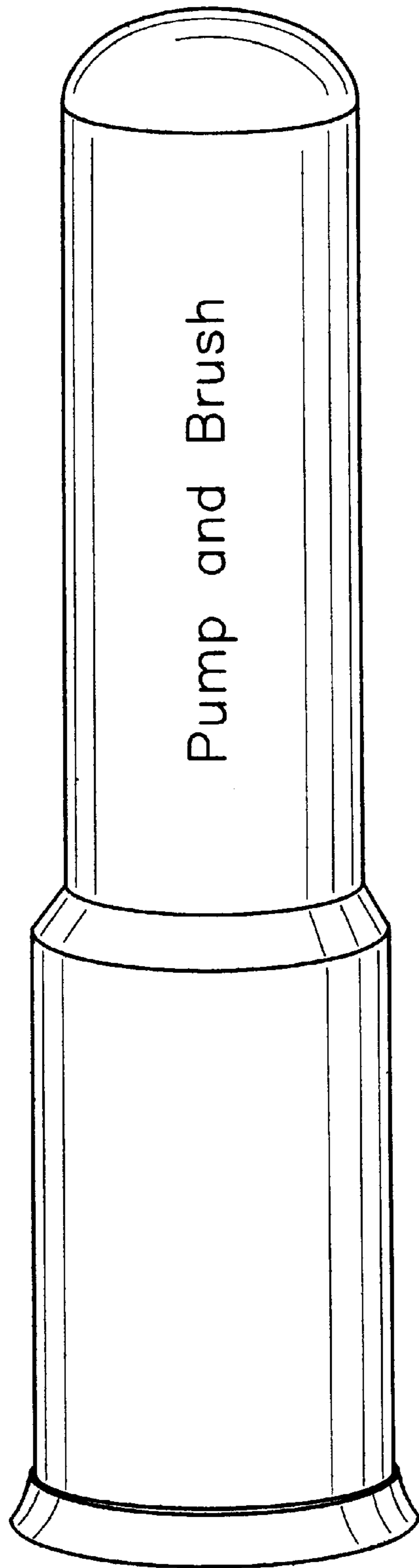


FIG. 7