



US00D466303S

(12) **United States Design Patent**
Saindon et al.

(10) **Patent No.:** **US D466,303 S**

(45) **Date of Patent:** **** Dec. 3, 2002**

(54) **BRISTLED HEAD FOR A TOOTHBRUSH**

D440,048 S * 4/2001 Beals et al. D4/104
D444,629 S * 7/2001 Etter et al. D4/104

(75) Inventors: **Mark David Saindon**, Princeton, NJ (US); **Annemarie Devine Joseph**, Plainsboro, NJ (US)

* cited by examiner

Primary Examiner—Lisa Lichtenstein

(73) Assignee: **McNeil-PPC, Inc.**, Skillman, NJ (US)

(57) **CLAIM**

(**) Term: **14 Years**

The ornamental design for a bristled head for a toothbrush, as shown and described.

(21) Appl. No.: **29/155,368**

(22) Filed: **Feb. 7, 2002**

DESCRIPTION

(51) **LOC (7) Cl.** **04-02**

(52) **U.S. Cl.** **D4/104**

(58) **Field of Search** D4/104-112, 130, D4/132, 134, 136; 15/110, 159.1, 160, 167.1, 167.2, 186-188, 191.1, 192, 193, DIG. 6, DIG. 5; 132/308; 601/139, 141

FIG. 1 is a perspective view showing the bristled head of our new design;

FIG. 2 is a top plan view thereof;

FIG. 3 is a side elevational view thereof, the opposite side being a mirror image;

FIG. 4 is a bottom plan view thereof;

FIG. 5 is a front elevational view thereof; and,

FIG. 6 is a rear elevational view thereof.

(56) **References Cited**

U.S. PATENT DOCUMENTS

D374,775 S * 10/1996 Yost et al. D4/104

1 Claim, 3 Drawing Sheets

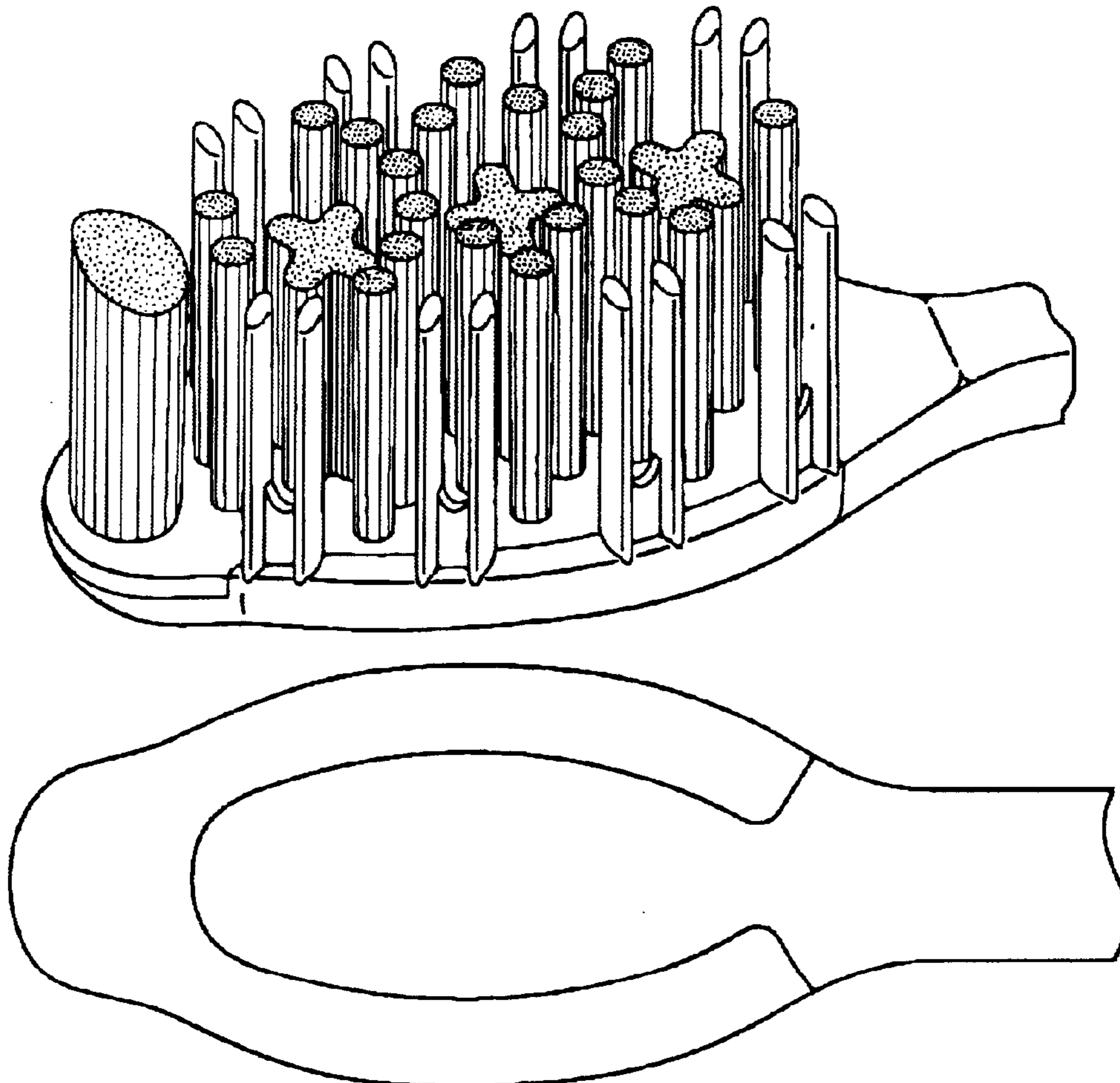


FIG. 1

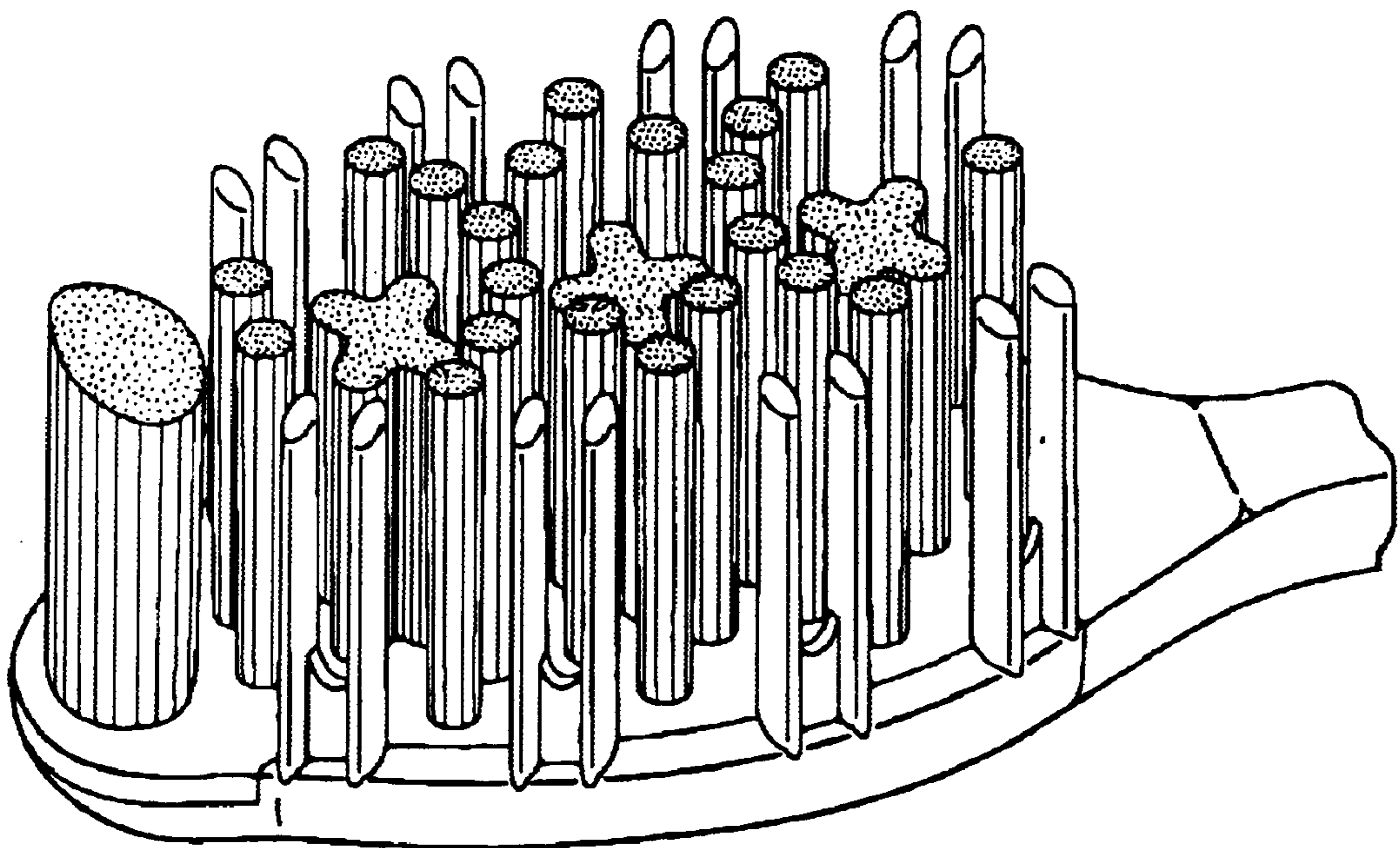


FIG. 2

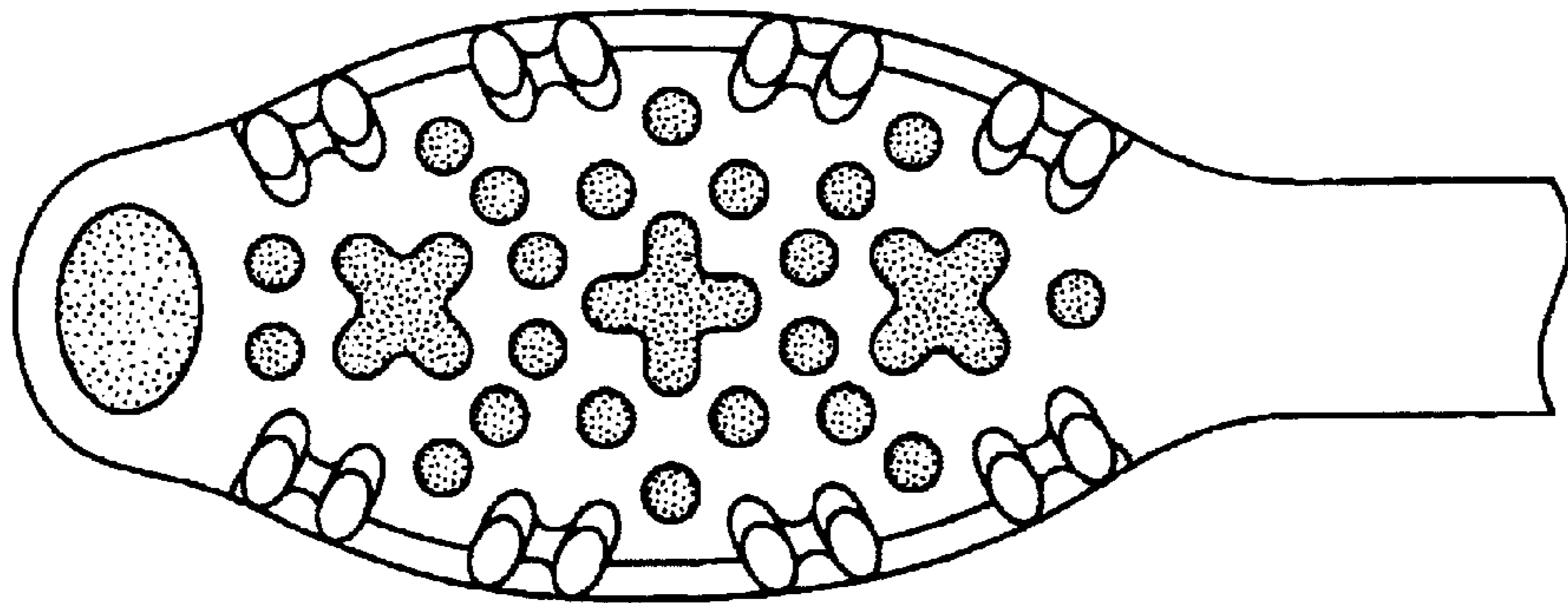


FIG. 3

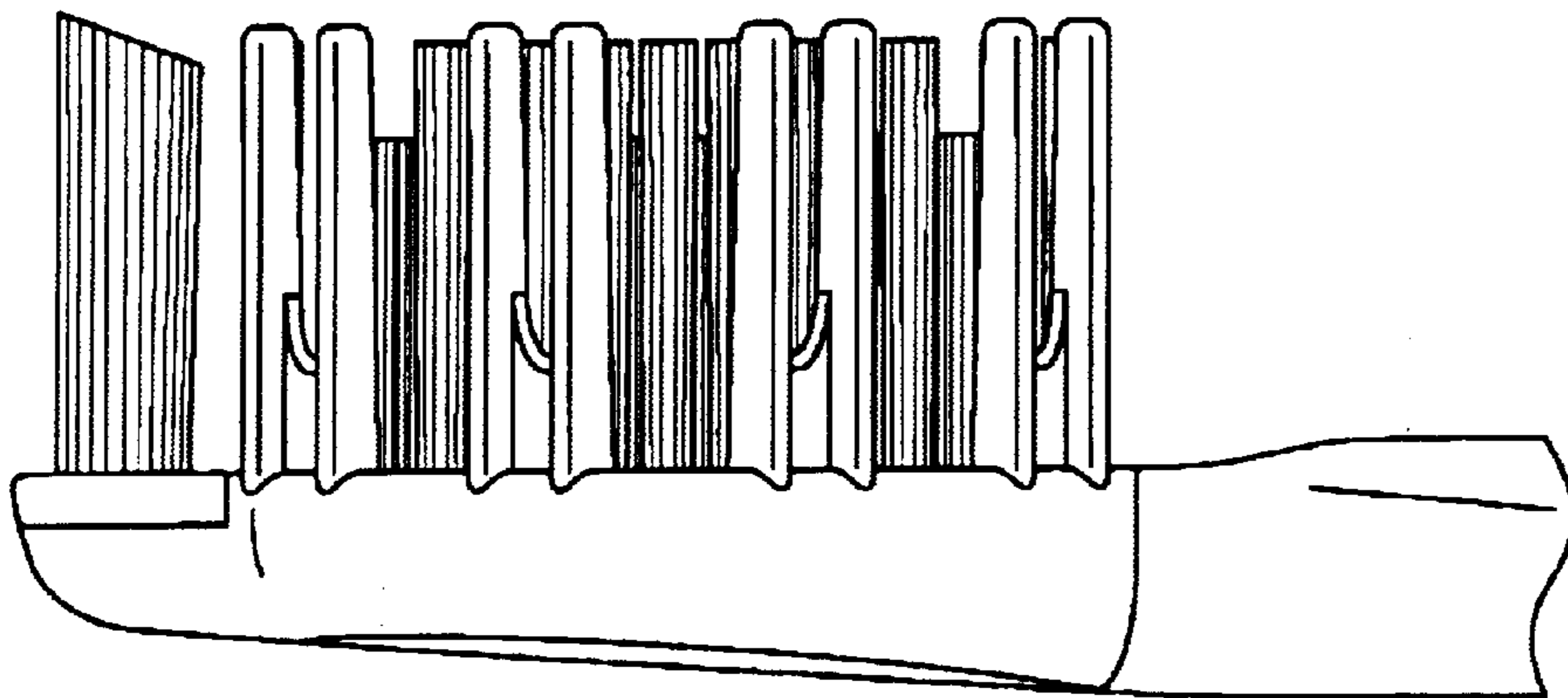


FIG. 4

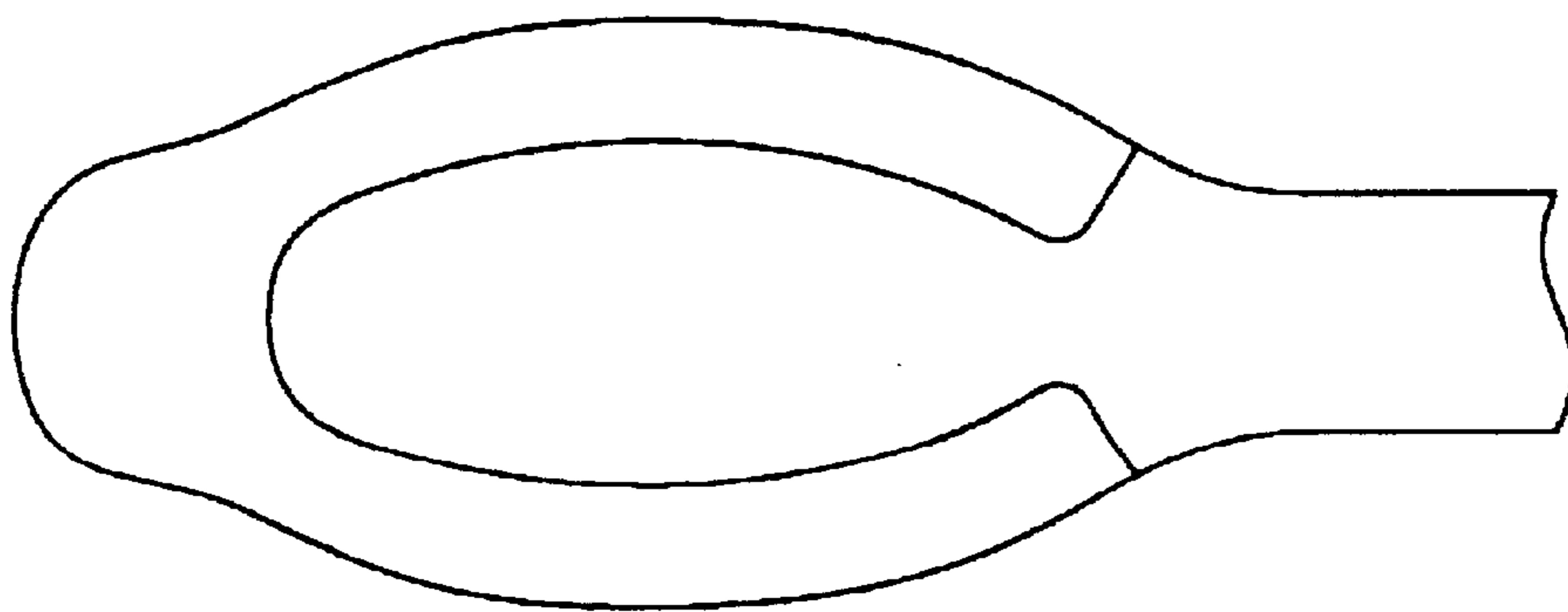


FIG. 5

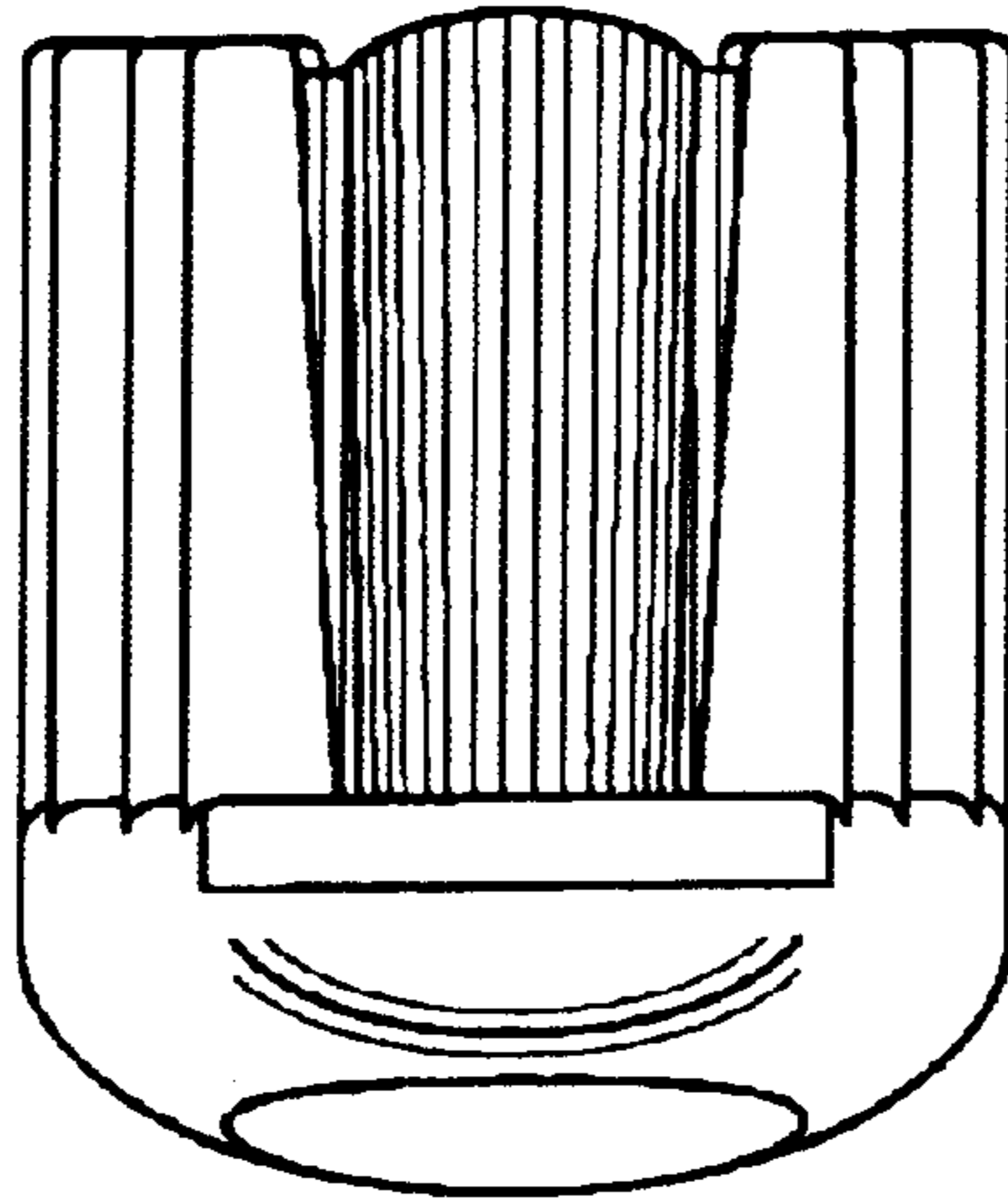


FIG. 6

