



US00D466301S

(12) **United States Design Patent**  
**Sofy**

(10) **Patent No.:** **US D466,301 S**

(45) **Date of Patent:** **\*\* Dec. 3, 2002**

(54) **BASKET**

(75) **Inventor:** **Janet M. Sofy**, Troy, MI (US)

(73) **Assignee:** **HMS Mfg. Co.**, Troy, MI (US)

(\*\*) **Term:** **14 Years**

(21) **Appl. No.:** **29/141,367**

(22) **Filed:** **May 4, 2001**

(51) **LOC (7) Cl.** ..... **03-01**

(52) **U.S. Cl.** ..... **D3/307; D32/37**

(58) **Field of Search** ..... D3/304, 307-309,  
D3/312, 314; D32/37; 206/505, 515, 518;  
220/607, 643, 659, 676, 755, 770, 913,  
DIG. 12, DIG. 13, DIG. 14

(56) **References Cited**

**U.S. PATENT DOCUMENTS**

D233,207 S	*	10/1974	Molzen	.....	D32/37
D264,040 S	*	4/1982	Kunze	.....	D32/37
D343,711 S	*	1/1994	Craft et al.	.....	D32/37
D351,266 S	*	10/1994	Licari	.....	D32/37
D372,568 S	*	8/1996	Lippisch	.....	D32/37
D372,583 S	*	8/1996	Brightbill	.....	D3/314

\* cited by examiner

*Primary Examiner*—Alan P. Douglas

*Assistant Examiner*—Lavone Tabor

(74) *Attorney, Agent, or Firm*—Howard & Howard

(57) **CLAIM**

I claim the ornamental design for a basket, as shown.

**DESCRIPTION**

FIG. 1 is a perspective view of the first embodiment with one pair of handles;

FIG. 2 is a front view of the first embodiment;

FIG. 3 is a top view of the first embodiment

FIG. 4 is a side view of the right side of FIG. 2;

FIG. 5 is a side view of the left side of FIG. 2;

FIG. 6 is a perspective view of a second embodiment with two pairs of handles;

FIG. 7 is a front view of the second embodiment;

FIG. 8 is a top view of the second embodiment;

FIG. 9 is a side view of the right side of the second embodiment; and,

FIG. 10 is a side view of the left side of the second embodiment.

**1 Claim, 10 Drawing Sheets**

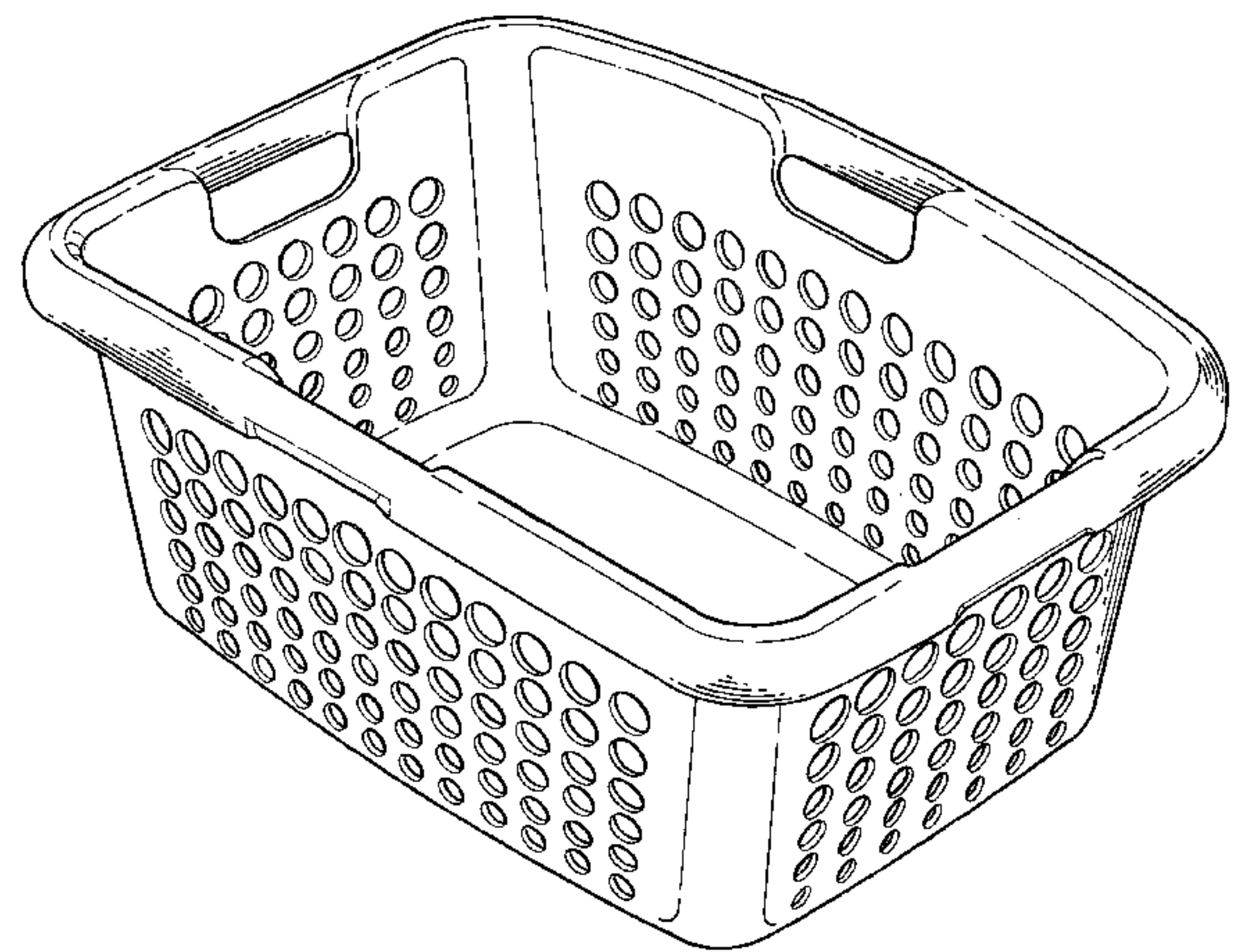
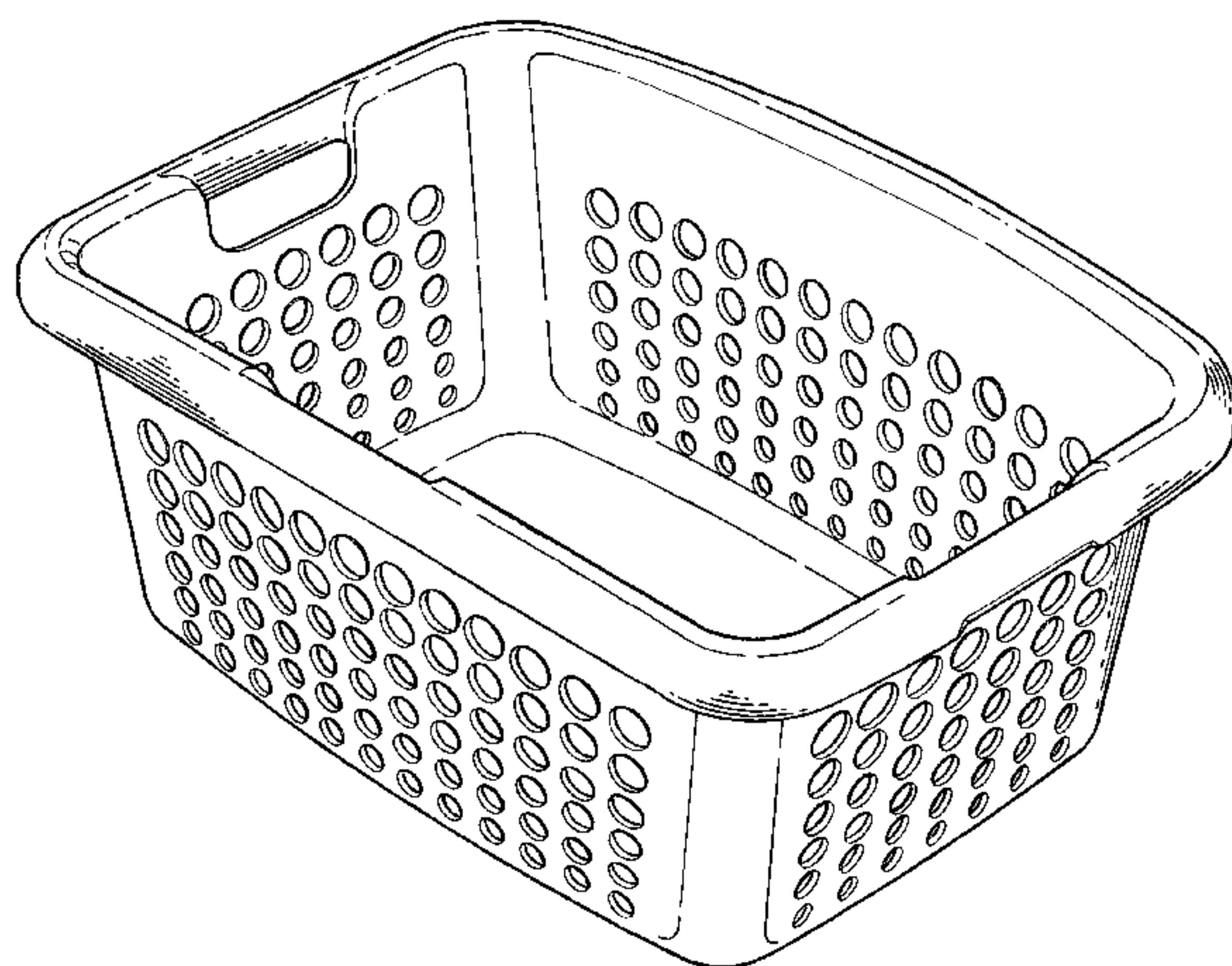
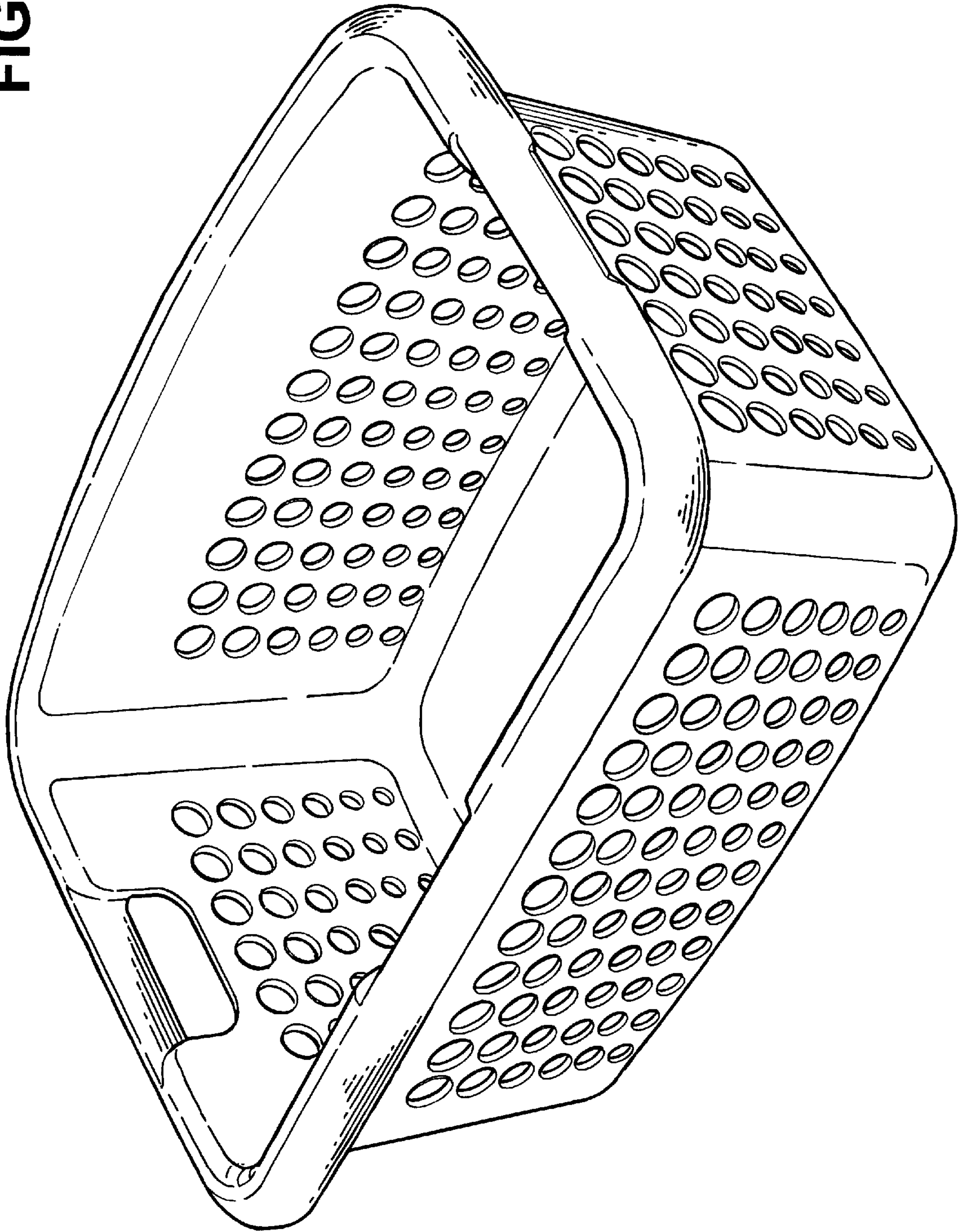


FIG - 1



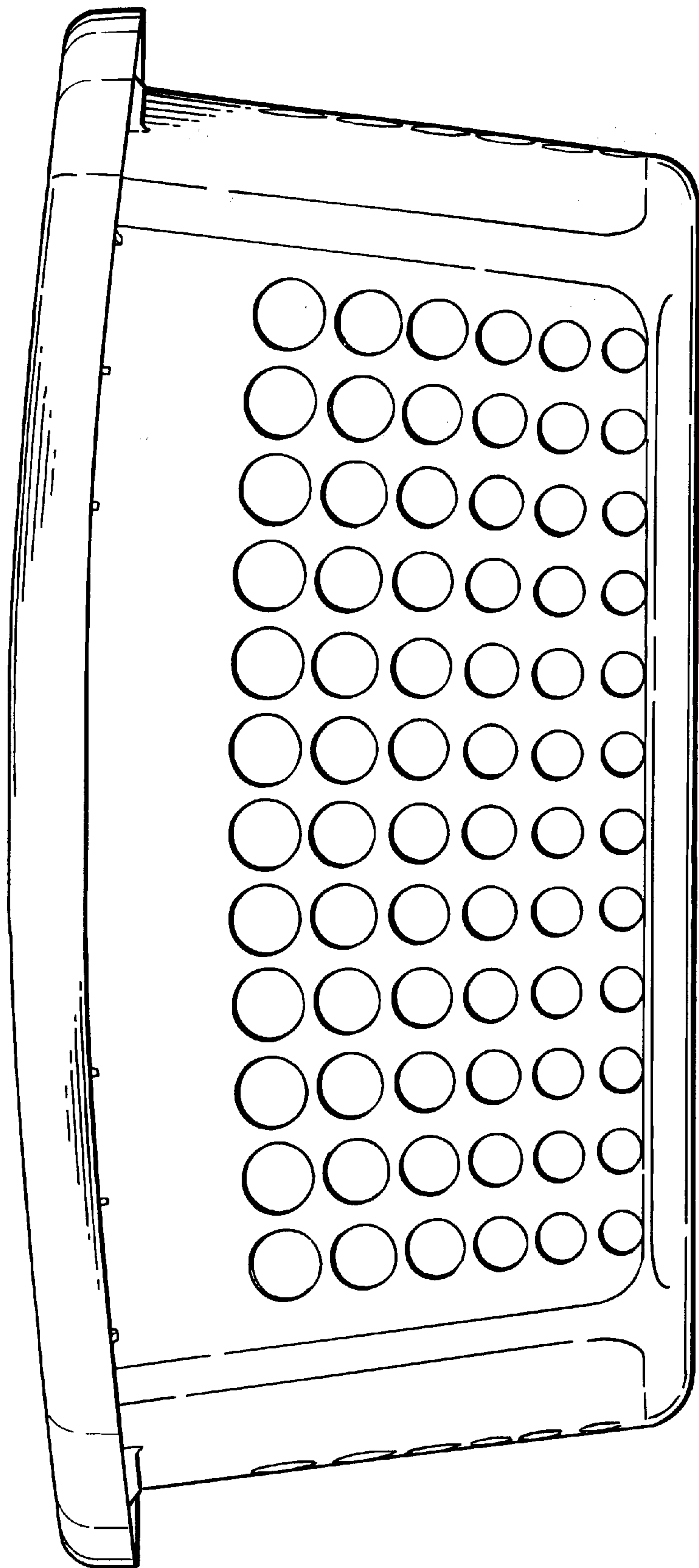


FIG - 2



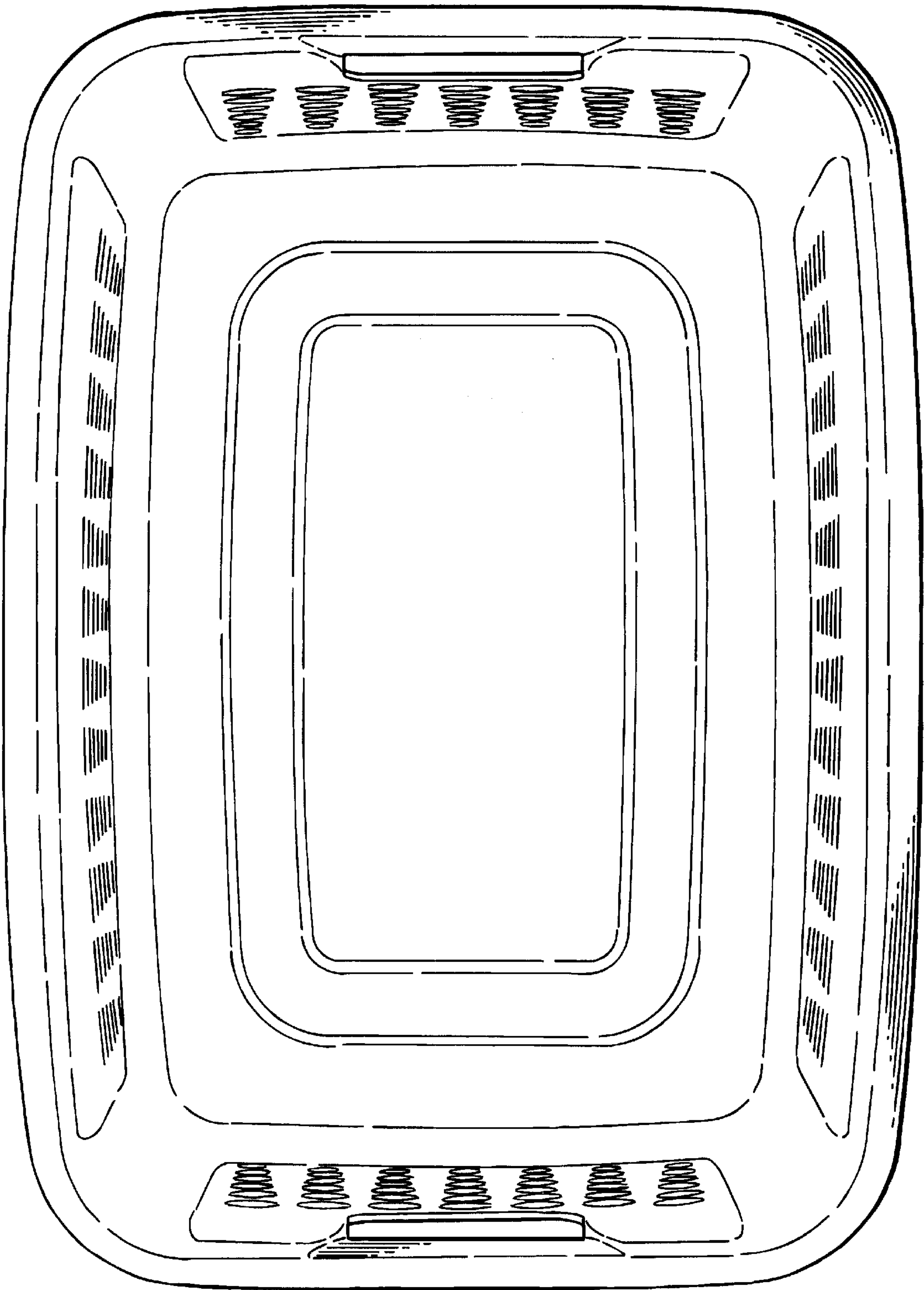
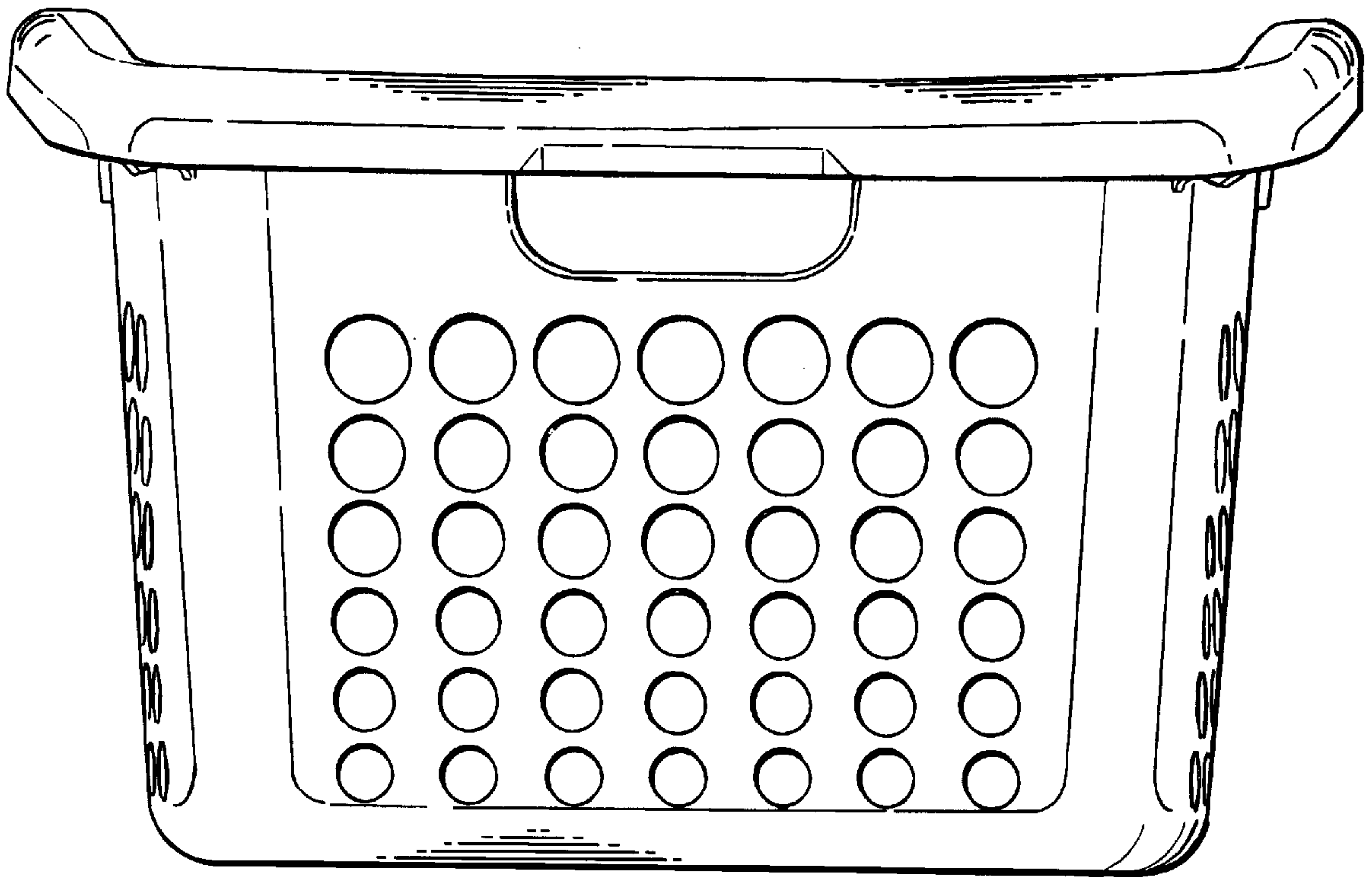
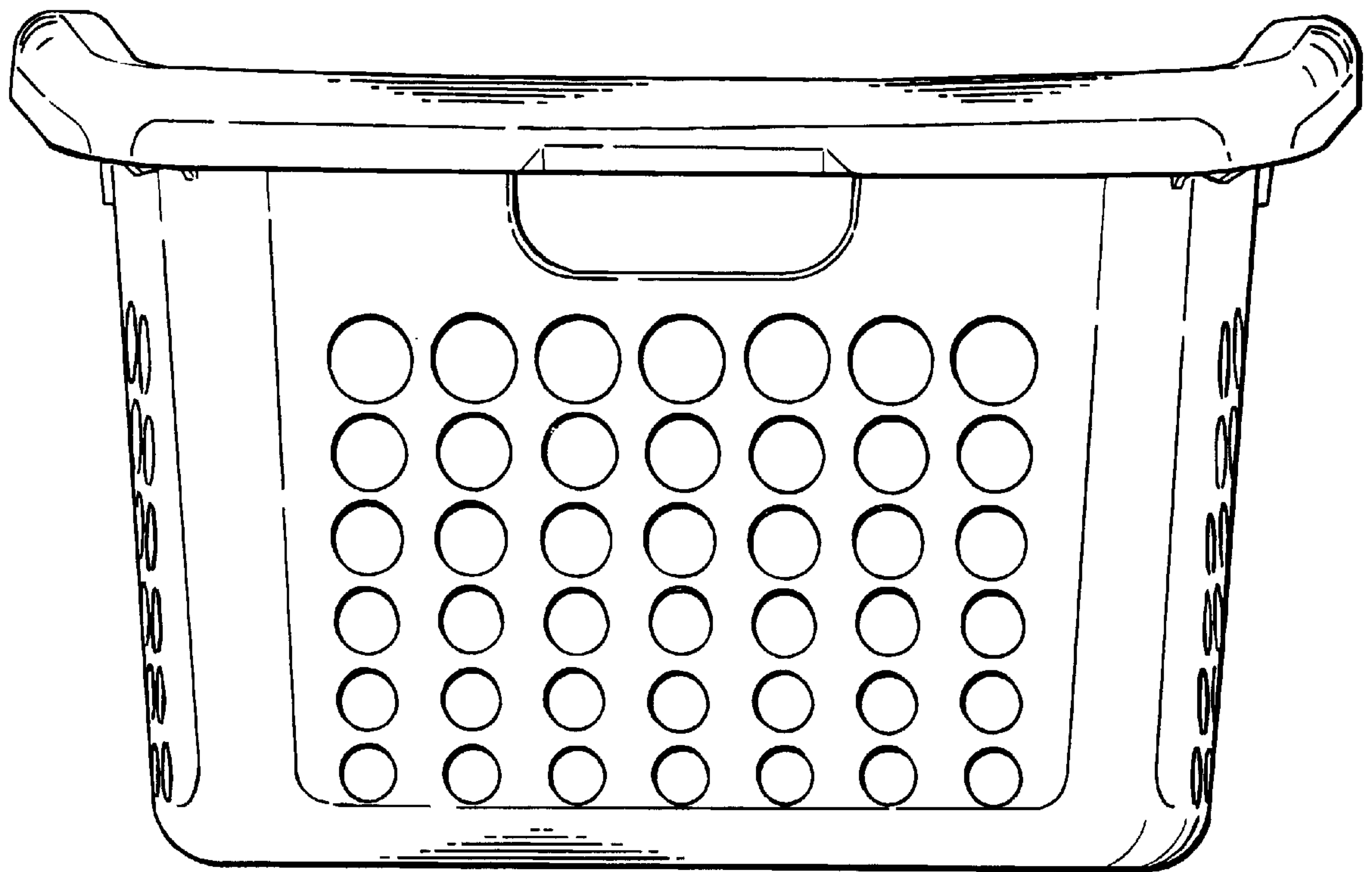


FIG - 3

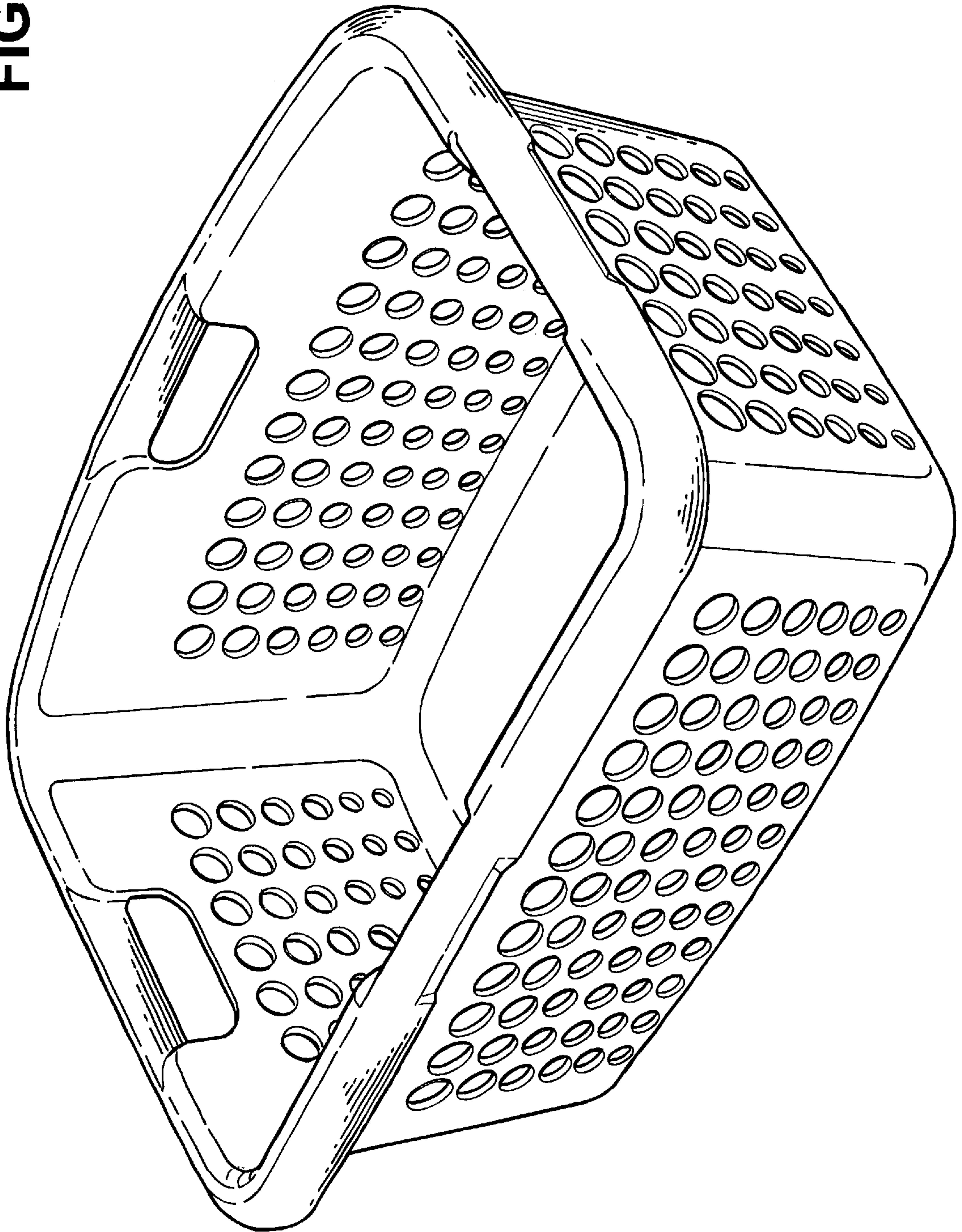


**FIG - 4**



**FIG - 5**

**FIG - 6**



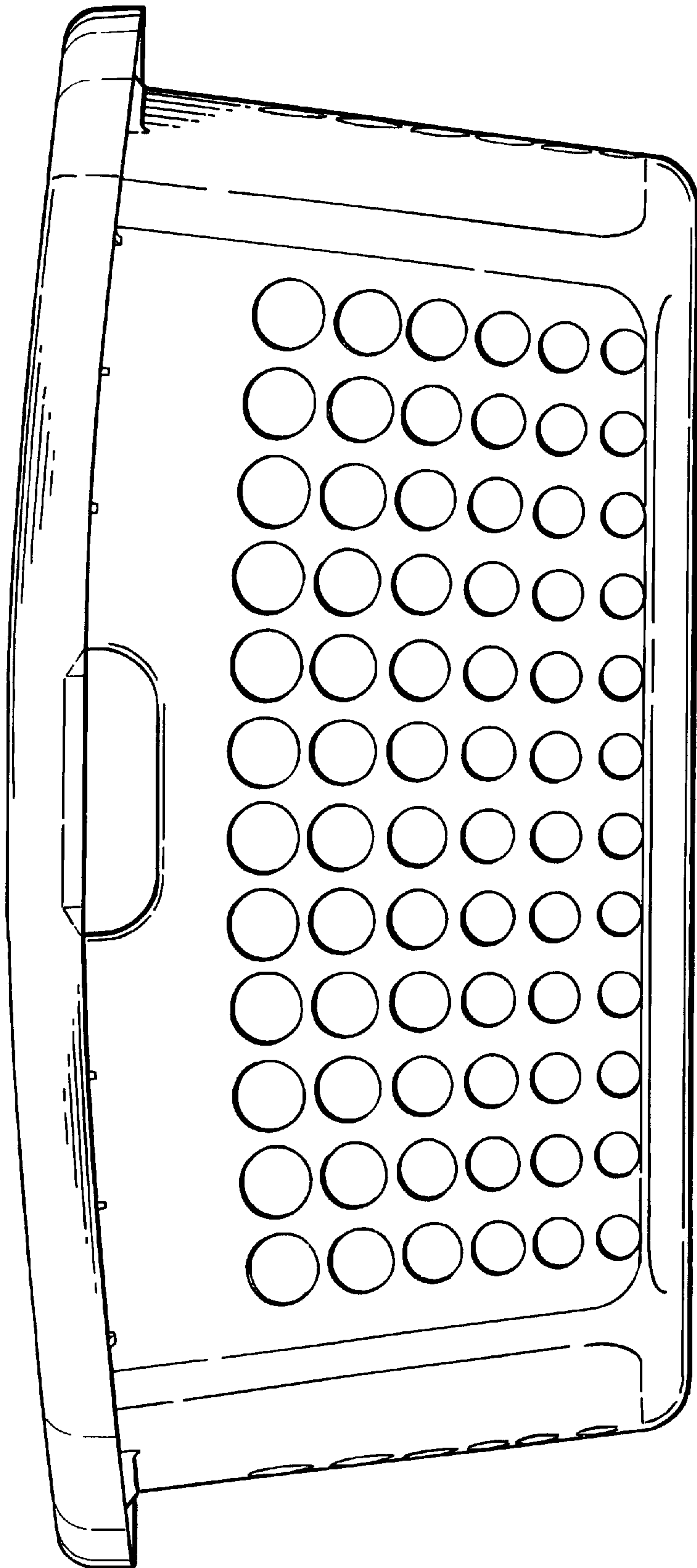


FIG - 7



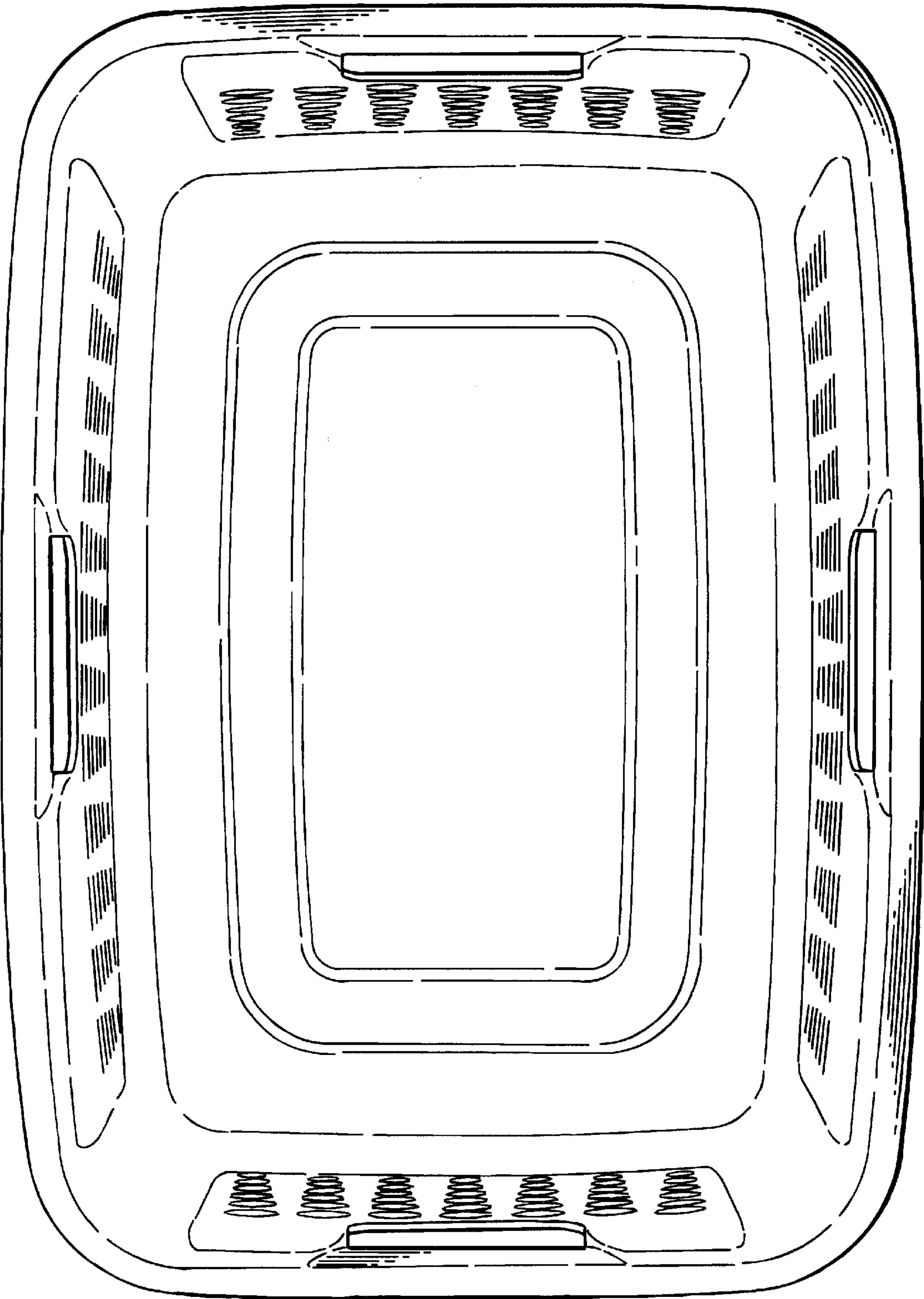
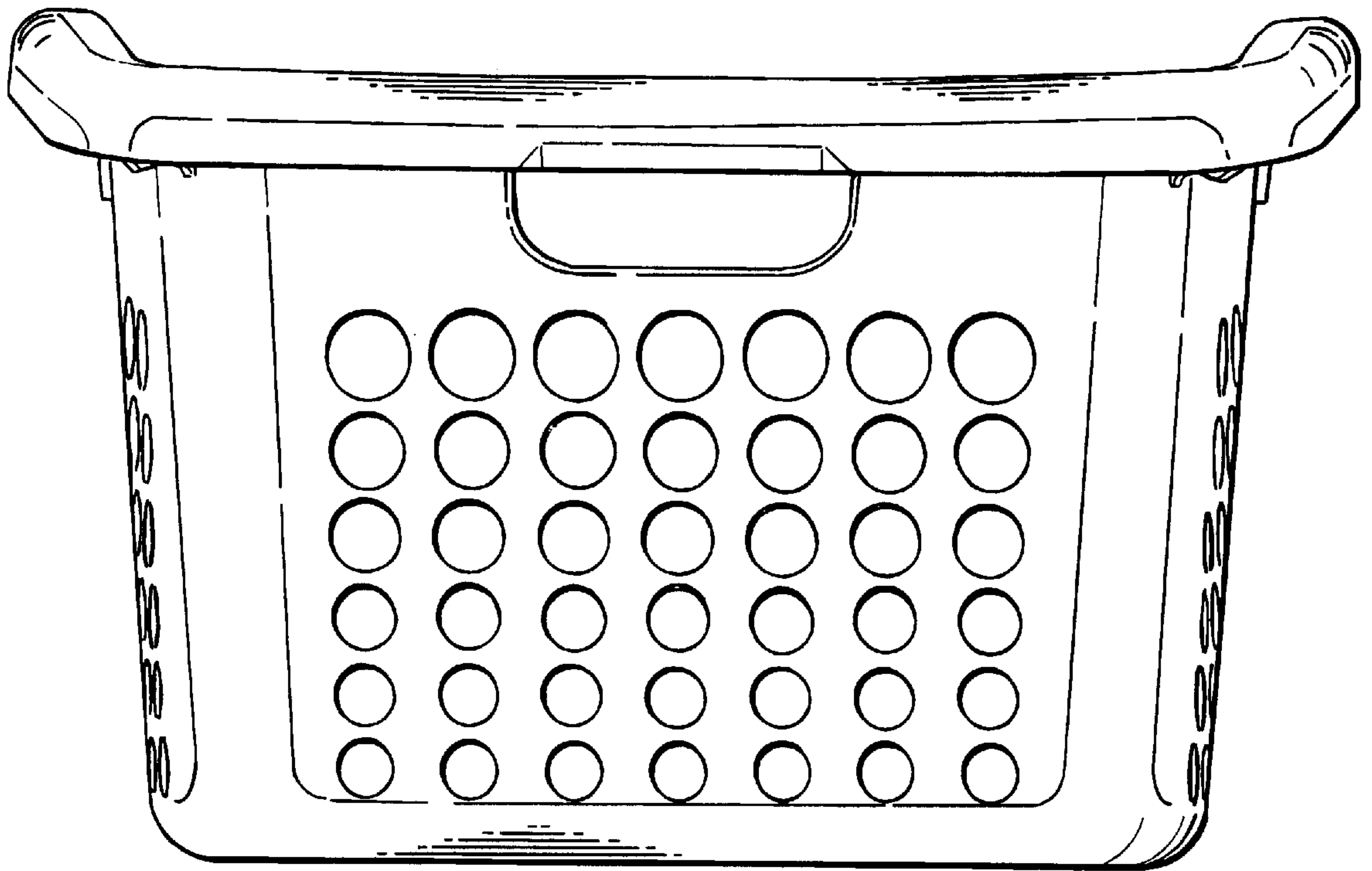
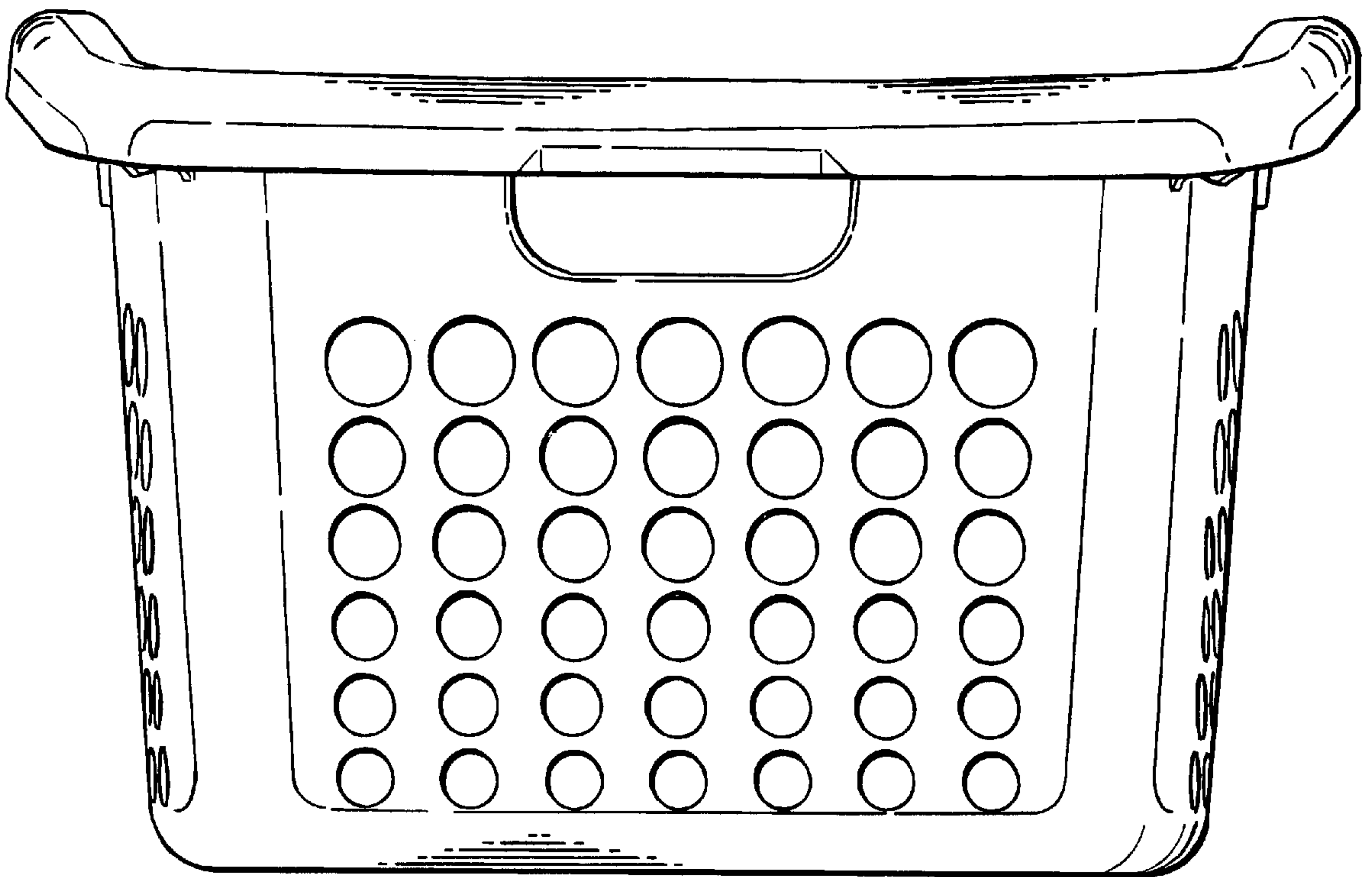


FIG - 8



**FIG - 9**



**FIG - 10**