



US00D466298S

(12) **United States Design Patent**
Vazquez

(10) **Patent No.:** **US D466,298 S**

(45) **Date of Patent:** **** Dec. 3, 2002**

- (54) **WINGED PDA TOTE BAG**
- (75) Inventor: **Maximino Vazquez**, New York, NY (US)
- (73) Assignee: **Maxworld, Inc.**, New York, NY (US)
- (**) Term: **14 Years**
- (21) Appl. No.: **29/139,863**
- (22) Filed: **Apr. 6, 2001**

D387,906 S	12/1997	Petty	D3/285
5,706,992 A	1/1998	Moor	224/657
D390,352 S	2/1998	Lane	D3/216
D391,076 S	2/1998	Test	D3/287
5,826,770 A	10/1998	Chuang	224/607
D417,782 S	12/1999	Tawil	D3/289

Primary Examiner—Philip S. Hyder
(74) *Attorney, Agent, or Firm*—Darby & Darby

(57) **CLAIM**

The ornamental design for a winged PDA tote bag, as shown and described.

Related U.S. Application Data

- (63) Continuation-in-part of application No. 29/115,685, filed on Dec. 17, 1999, now Pat. No. Des. 440,045.
- (51) **LOC (7) Cl.** **03-01**
- (52) **U.S. Cl.** **D3/301; D3/289; D3/287**
- (58) **Field of Search** D3/273, 276, 283, D3/284, 285, 287, 289, 290, 301; 190/100, 109, 110, 111, 112, 113

DESCRIPTION

FIG. 1 is a front plan view of the winged PDA tote bag shown in an unfolded state with the wings in an open condition.

FIG. 2 is a front plan view of FIG. 1; the wings in a closed condition and further showing the wing tips engaged through a closure device;

FIG. 3 is a right side perspective view of FIG. 1, the left side perspective view being a mirror image thereof;

FIG. 4 is a right side perspective view of FIG. 2, the left side perspective view being a mirror image thereof;

FIG. 5 is a top perspective view of FIG. 1;

FIG. 6 is a top perspective view of FIG. 2;

FIG. 7 is a bottom perspective view of FIG. 1;

FIG. 8 is a bottom perspective view of FIG. 2;

FIG. 9 is a rear plan view of FIG. 1; and,

FIG. 10 is a rear plan view of FIG. 2.

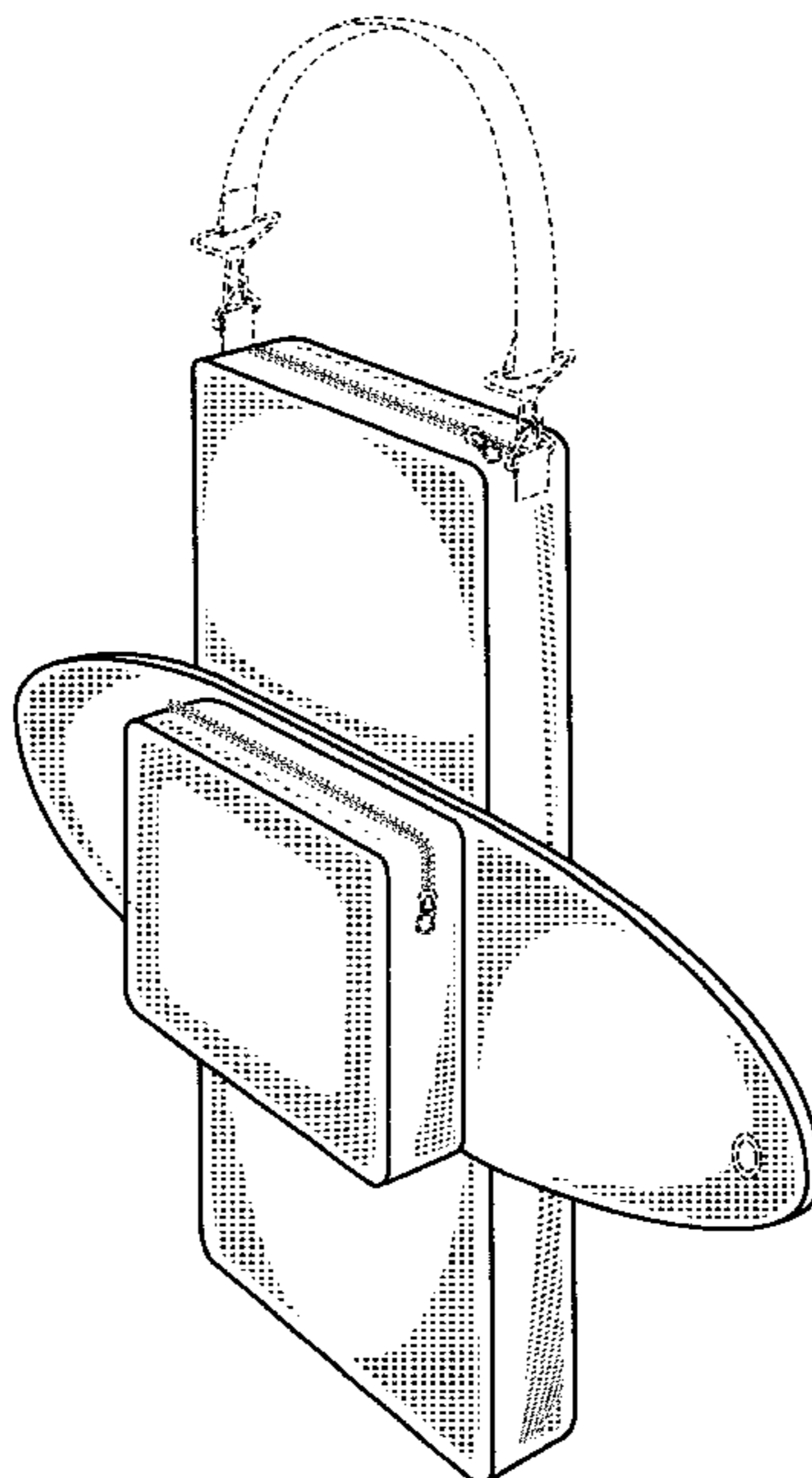
The broken lines showing of hardware (e.g. zipper, d-rings, hooks and snaps) as well as the position of the hardware relative to the claimed design and any other broken lines including the carry strap are to show environment only and are not part of the claimed design.

(56) **References Cited**

U.S. PATENT DOCUMENTS

D276,953 S	1/1985	Weinreb	D3/280
4,796,735 A	1/1989	Horiuchi	190/109
D302,211 S	7/1989	Sears	D3/283
D333,913 S	3/1993	Tuman	D3/285
D340,356 S	10/1993	Hughes	D3/283
D346,694 S	5/1994	Cyr et al.	D3/287
D356,678 S	3/1995	Tawil	D3/276
D358,483 S	5/1995	Cross et al.	D3/276
D358,935 S	6/1995	Chang et al.	D3/276
D360,075 S	7/1995	Cross et al.	D3/276
D360,977 S	8/1995	Katz	D3/276
D360,978 S	8/1995	Willard et al.	D3/301
D368,370 S	4/1996	Tawil	D3/276
D381,807 S	8/1997	Pickle	D3/273

1 Claim, 8 Drawing Sheets



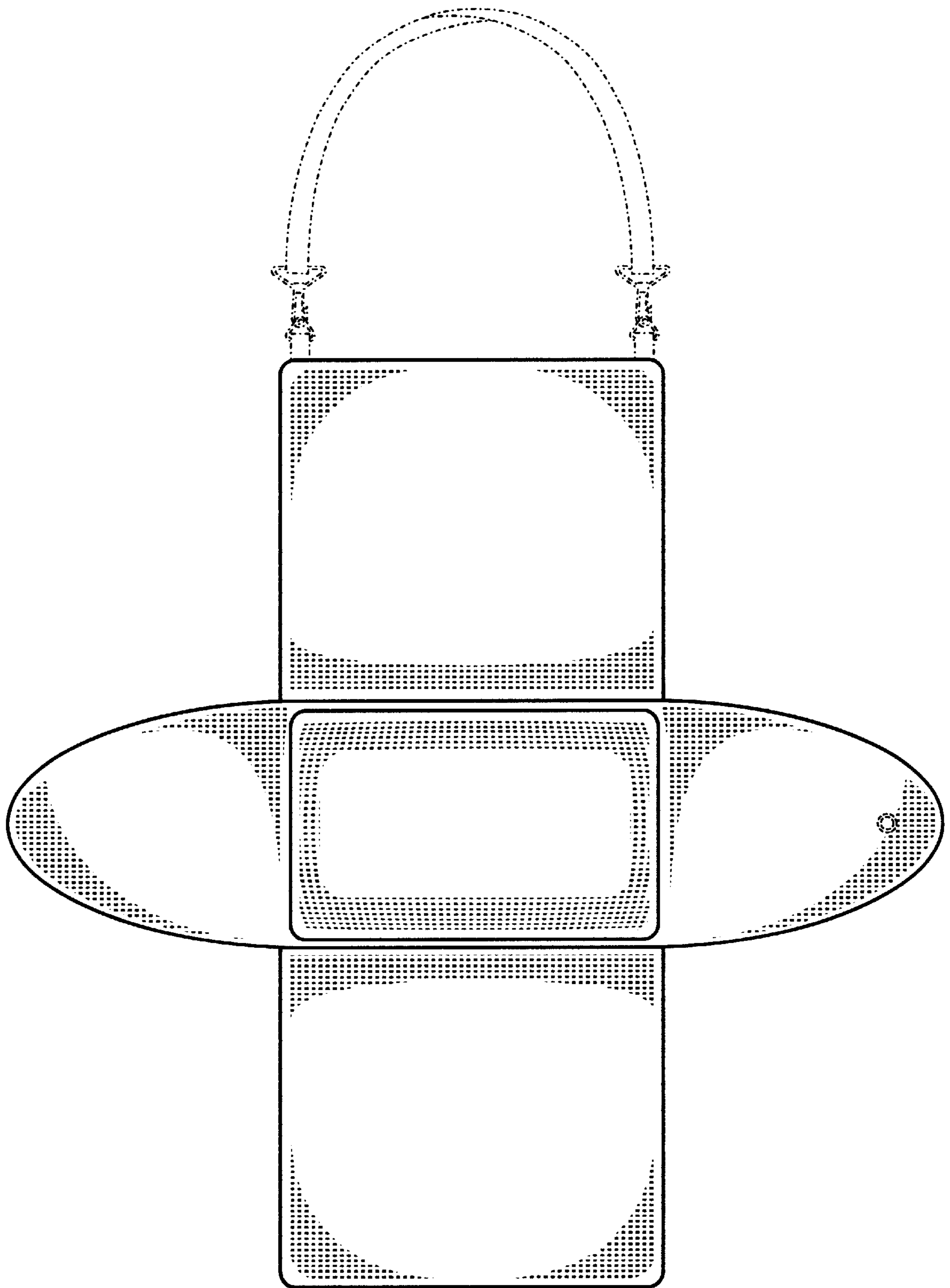


FIG. 1

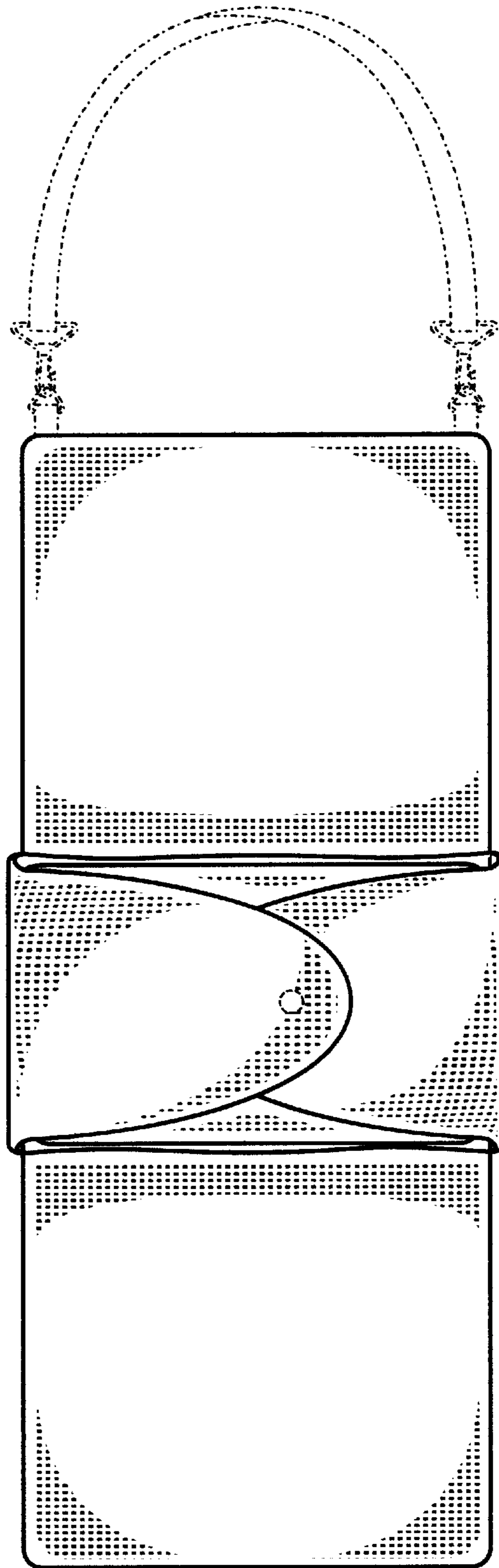


FIG. 2

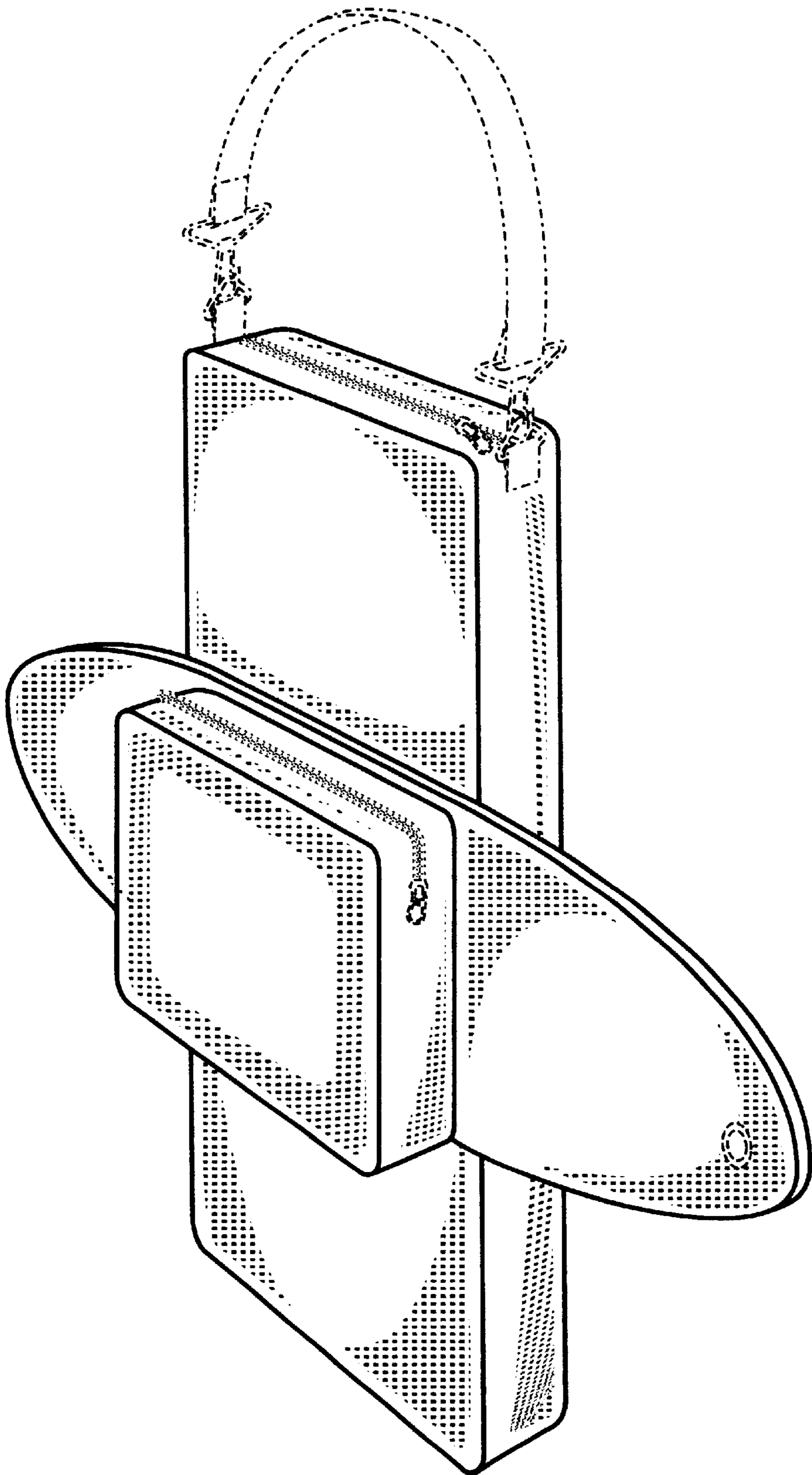


FIG. 3

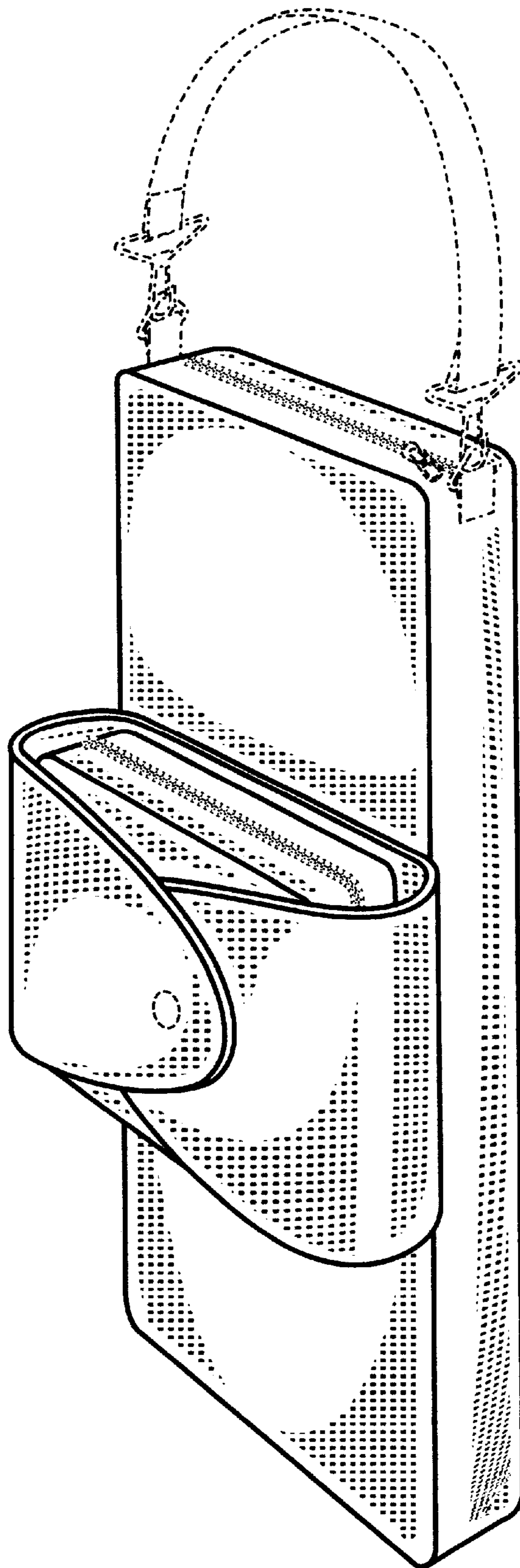


FIG. 4

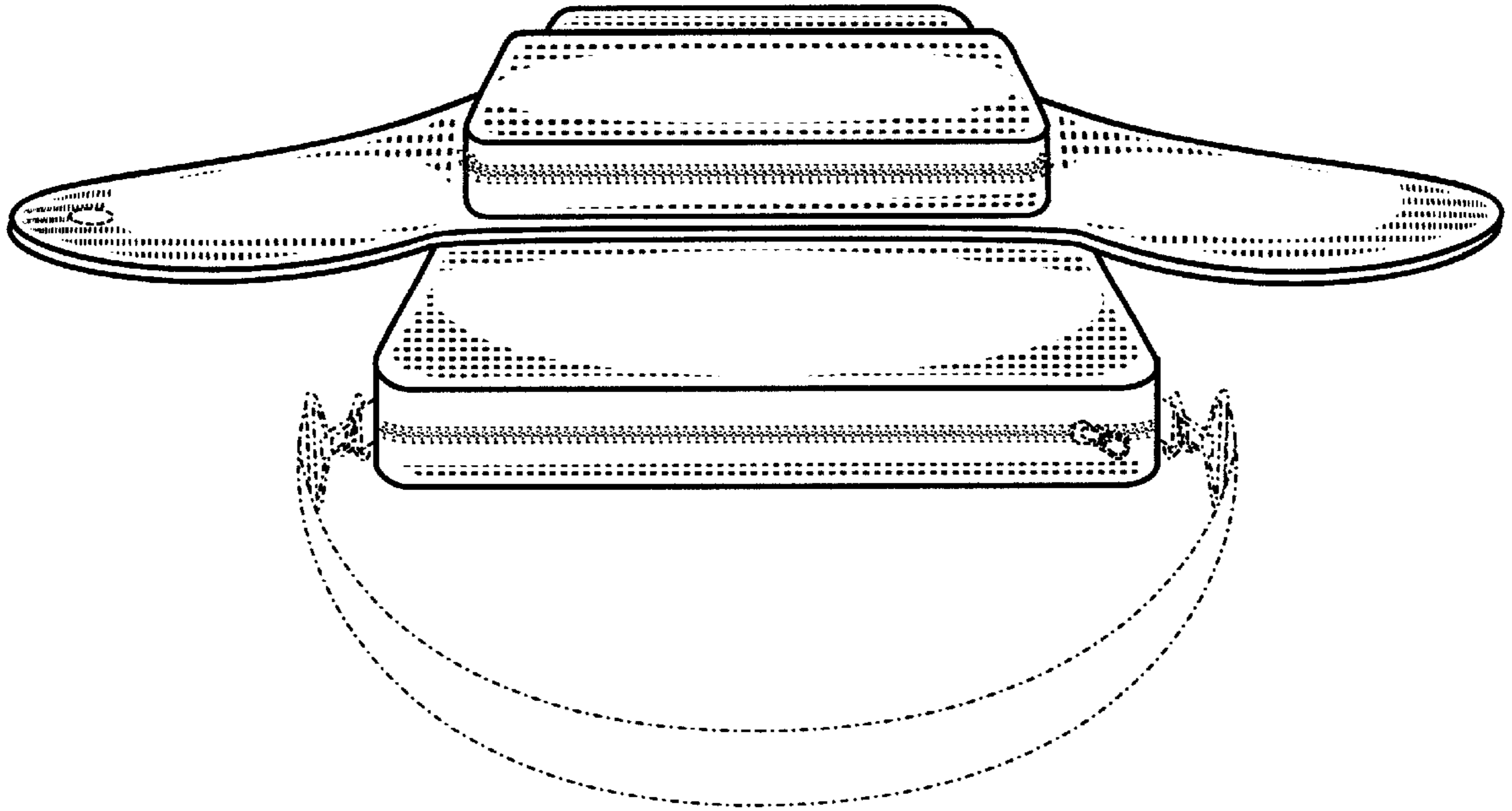


FIG. 5

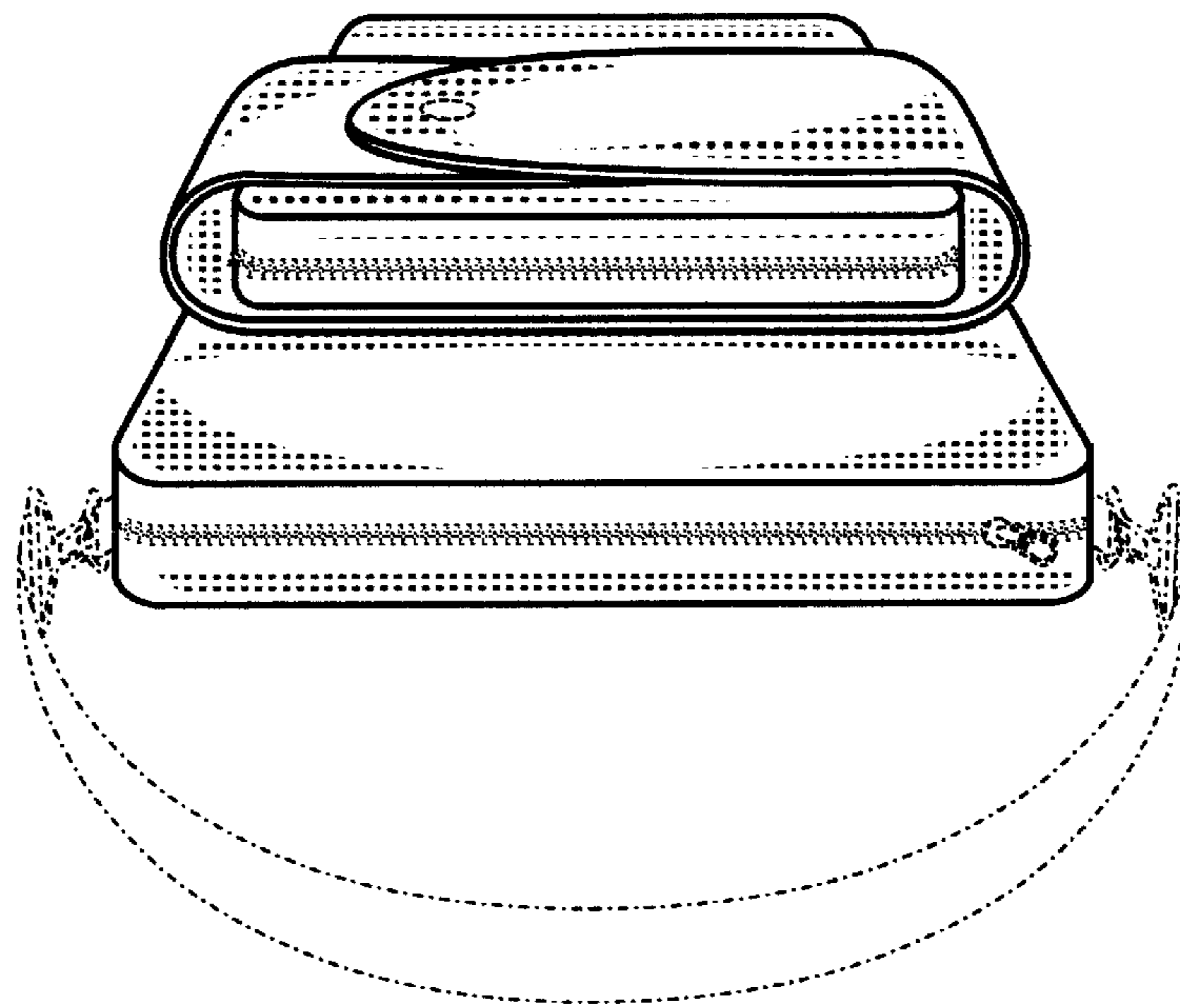


FIG. 6

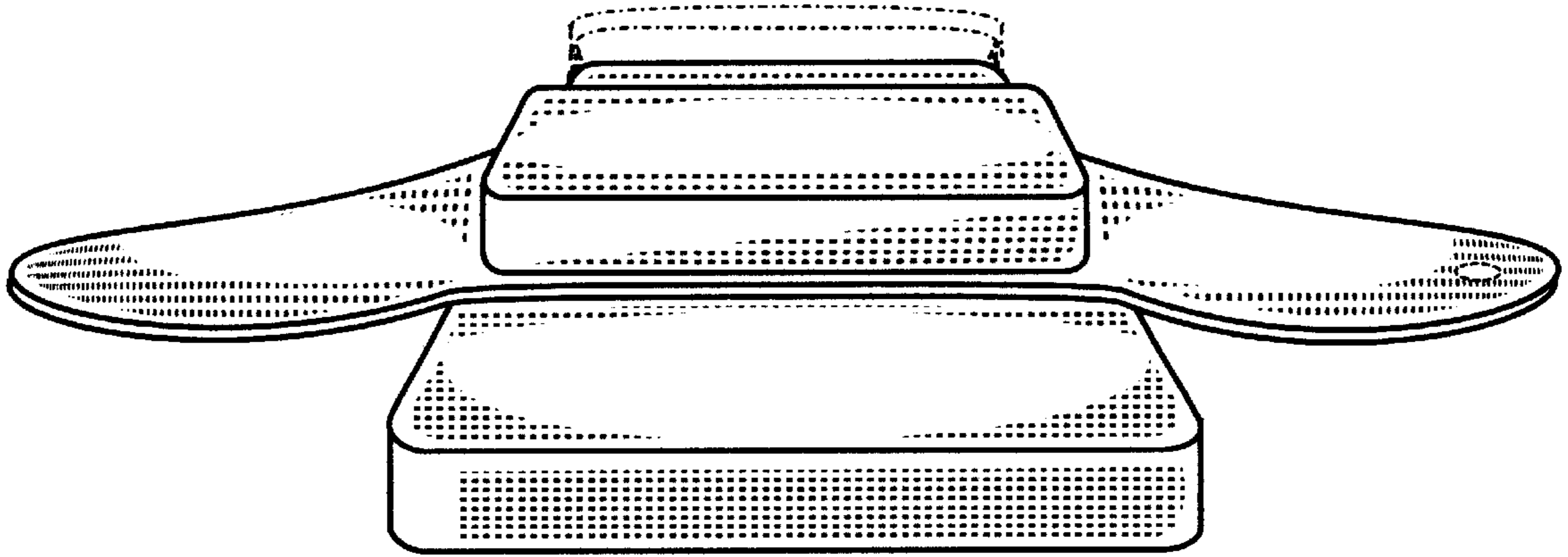


FIG. 7

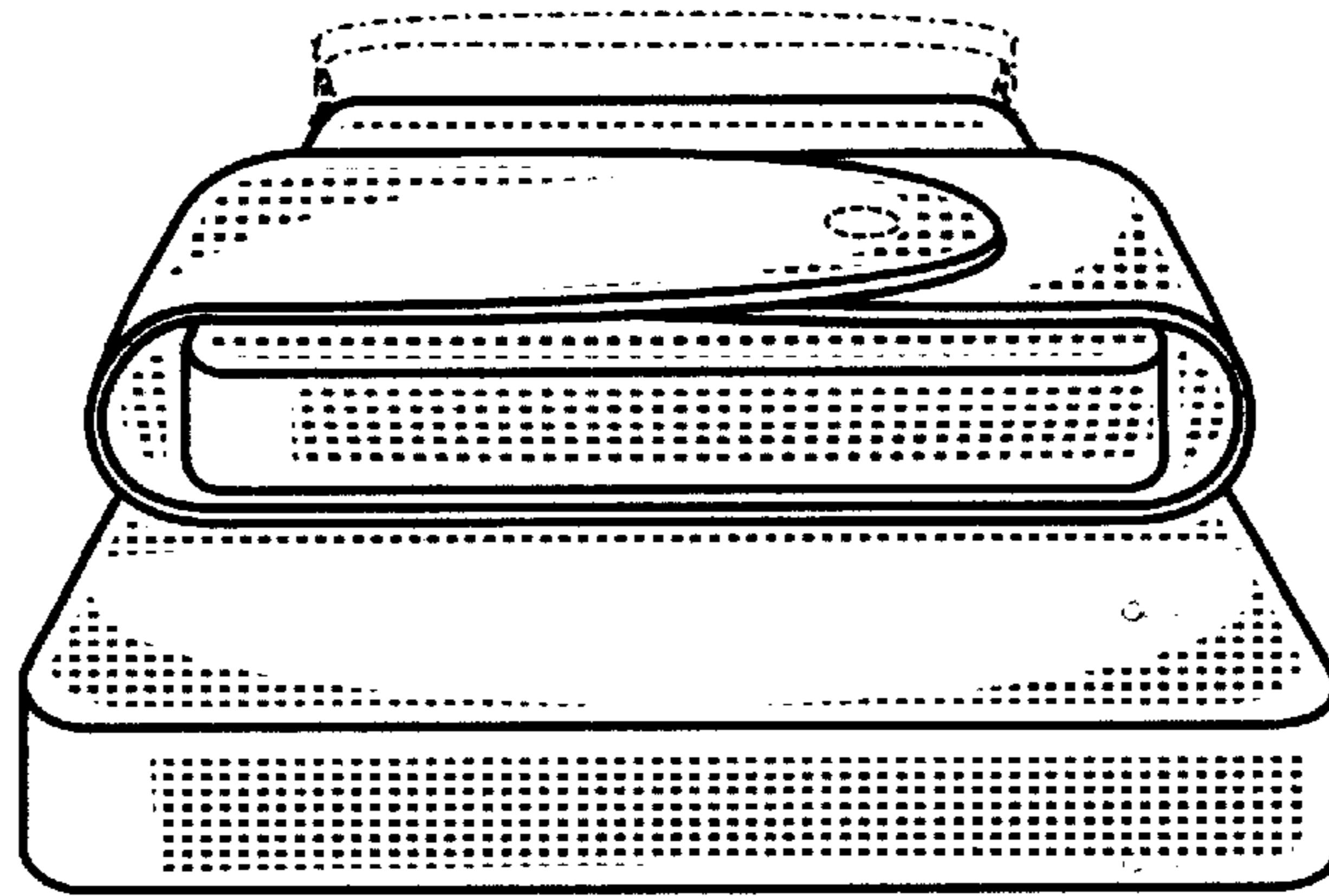


FIG. 8

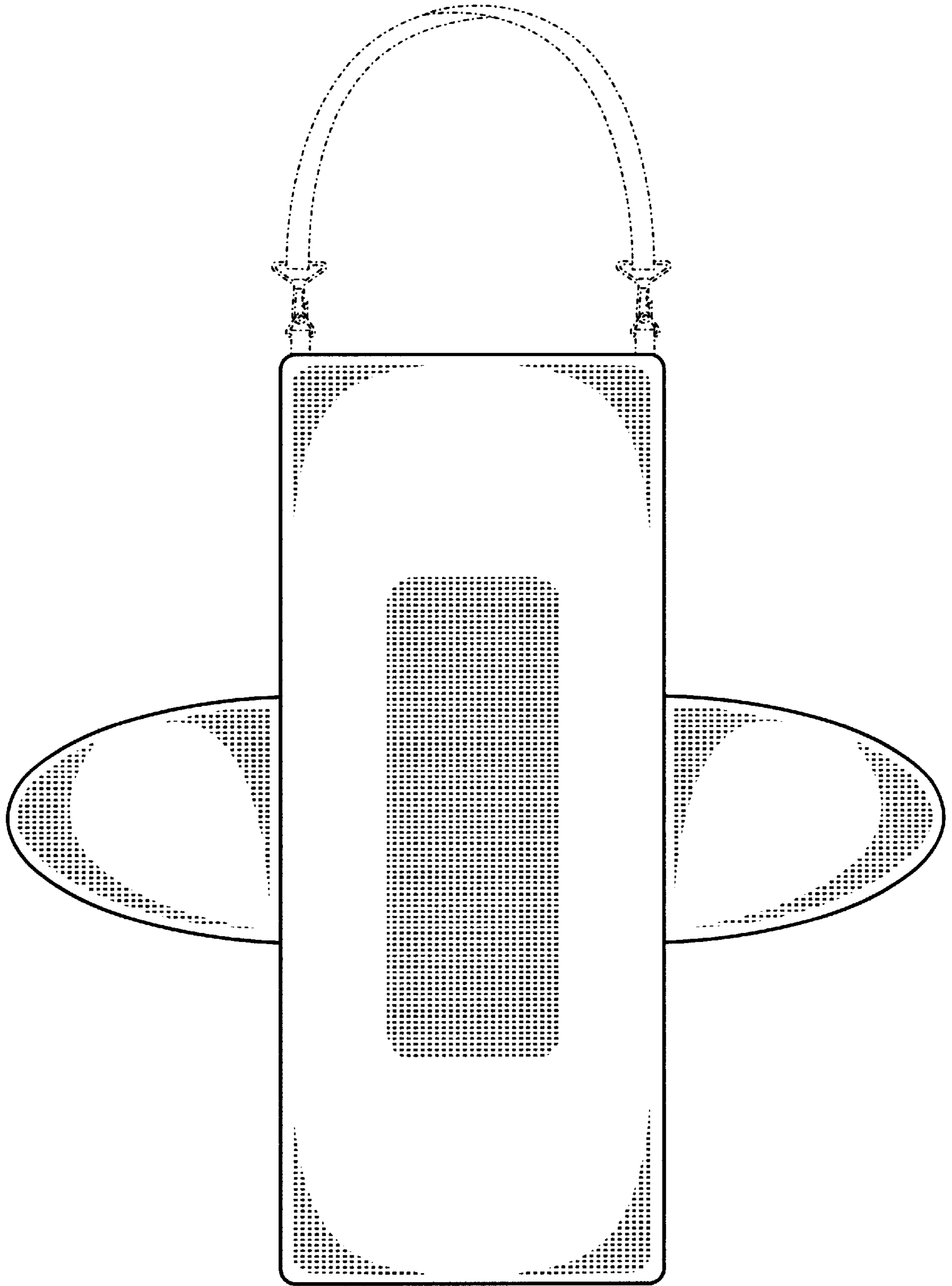


FIG. 9

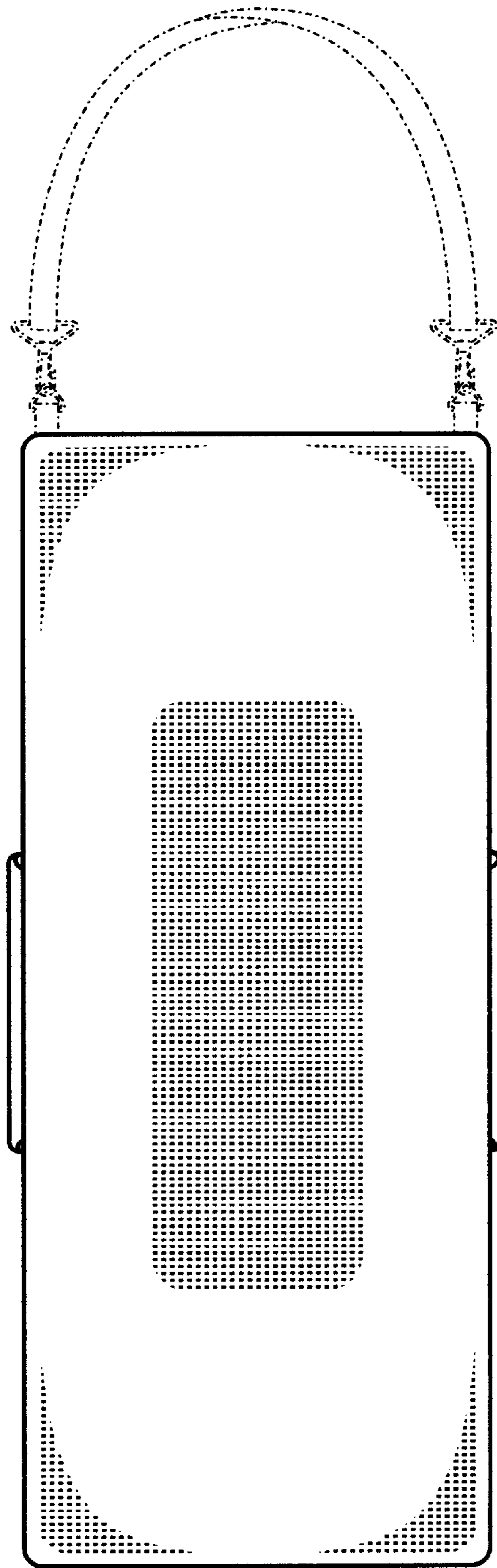


FIG. 10