



US00D466296S

(12) **United States Design Patent**
Hellenberg-Hubar

(10) **Patent No.:** **US D466,296 S**

(45) **Date of Patent:** **** Dec. 3, 2002**

(54) **SCREWDRIVER BOX**

(75) Inventor: **A. F. M. Van Hellenberg-Hubar**, The Hague (NL)

(73) Assignee: **C. C. & L Company Limited**, Tsuen Wan (HK)

(**) Term: **14 Years**

(21) Appl. No.: **29/153,290**

(22) Filed: **Jan. 2, 2002**

(51) **LOC (7) Cl.** **03-01**

(52) **U.S. Cl.** **D3/295; D3/294; D3/905**

(58) **Field of Search** D3/273, 294, 295, D3/905; D9/418, 422, 423; 206/349, 372, 373, 379

(56) **References Cited**

U.S. PATENT DOCUMENTS

5,108,287	A	*	4/1992	Yee et al.	206/369
5,133,455	A	*	7/1992	Chow	206/373
D370,781	S	*	6/1996	Vasudeva	D3/284
D373,901	S	*	9/1996	Bergstedt	D3/294
5,746,316	A	*	5/1998	La Barre	206/379

D400,709	S	*	11/1998	Chang	D3/294
D427,436	S	*	7/2000	Chan	D3/292
D434,561	S	*	12/2000	Vasudeva	D3/282
D446,651	S	*	8/2001	Liao	D3/284
6,283,291	B1	*	9/2001	Vasudeva et al.	206/373

* cited by examiner

Primary Examiner—Philip S. Hyder

(74) *Attorney, Agent, or Firm*—Alix, Yale & Ristas, LLP

(57) **CLAIM**

The ornamental design for a screwdriver box, as shown and described.

DESCRIPTION

FIG. 1 is a front perspective view from left side of a screwdriver box showing my new design;

FIG. 2 is a front perspective view from right side in opened position thereof;

FIG. 3 is a front elevational view thereof;

FIG. 4 is a left side elevational view thereof;

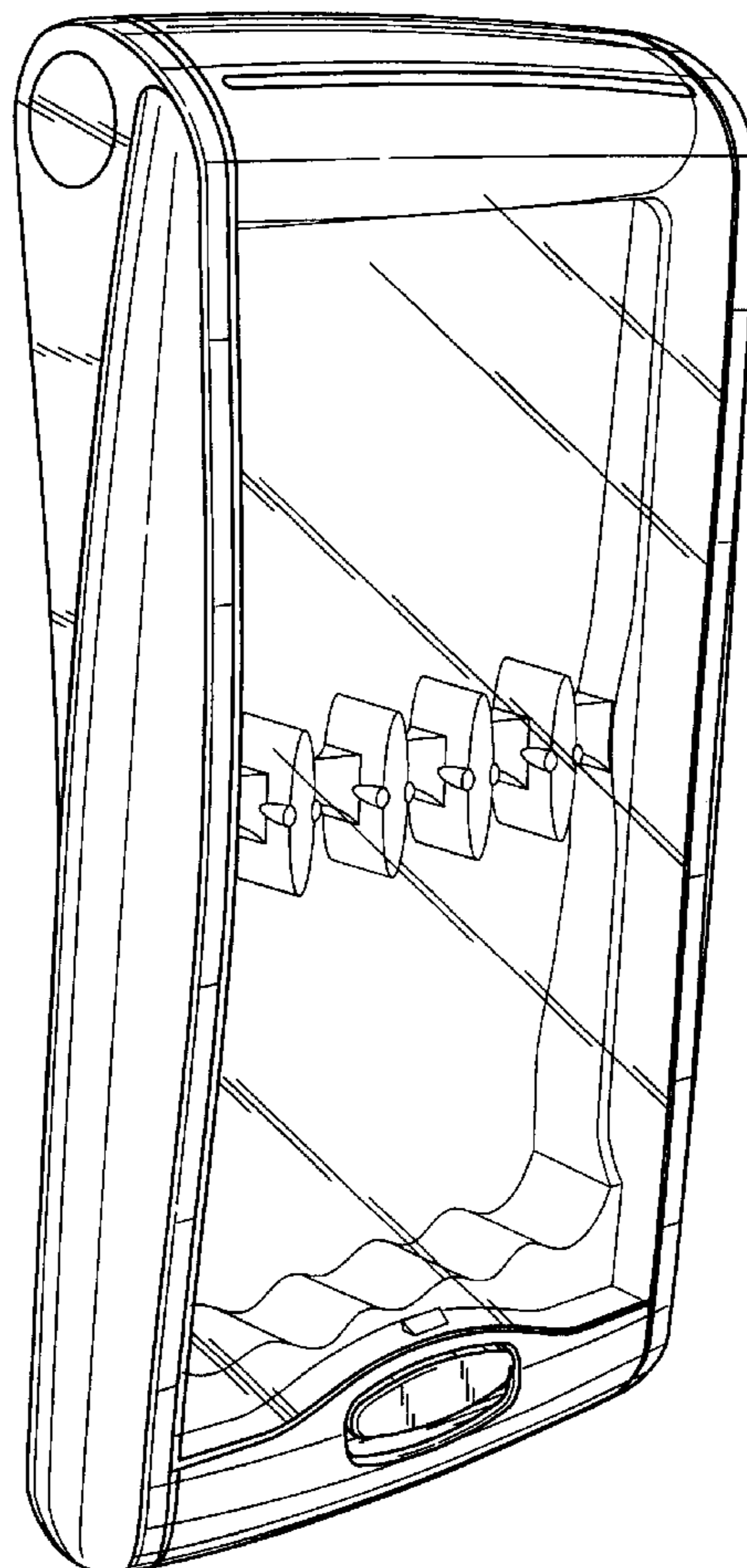
FIG. 5 is a bottom plan view thereof;

FIG. 6 is a top plan view thereof;

FIG. 7 is a rear elevational view thereof; and,

FIG. 8 is a right side elevational view thereof.

1 Claim, 4 Drawing Sheets



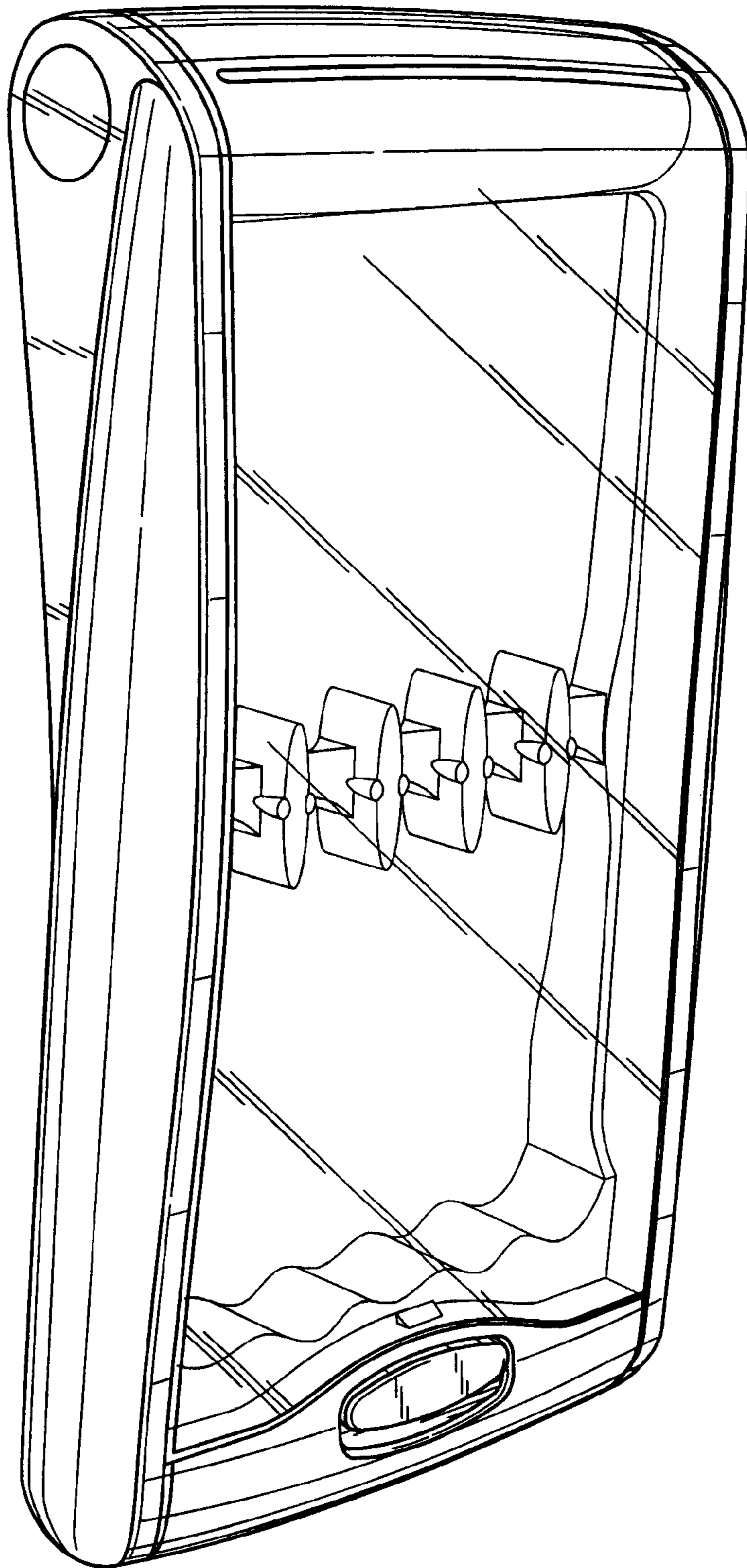


FIG. 1

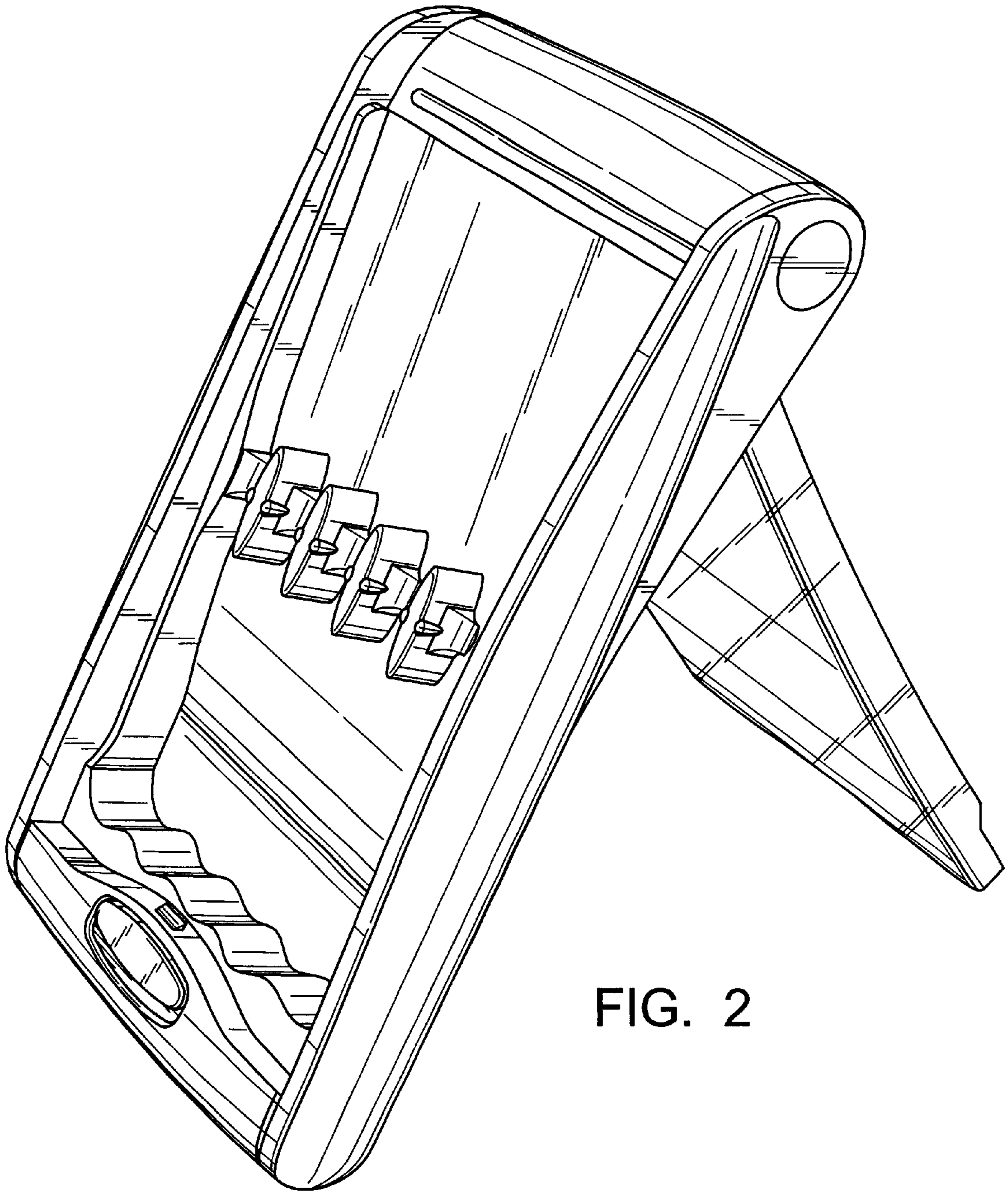


FIG. 2

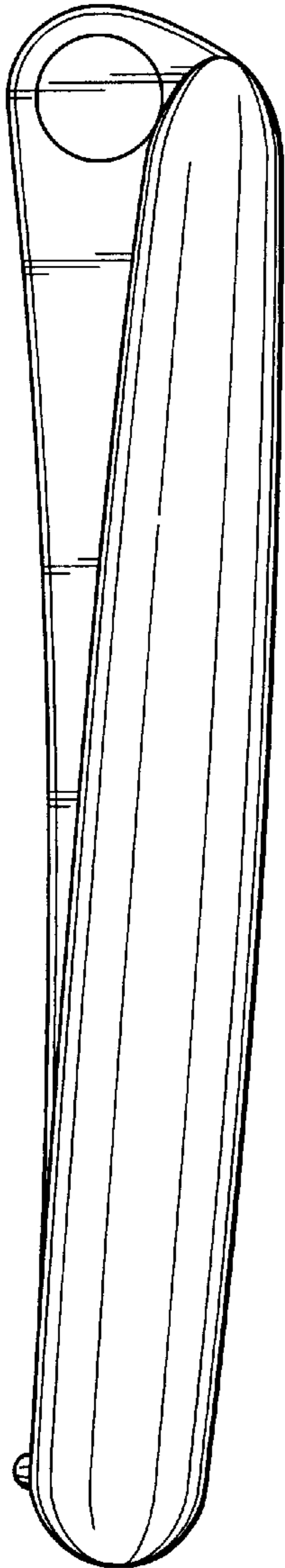


FIG. 4

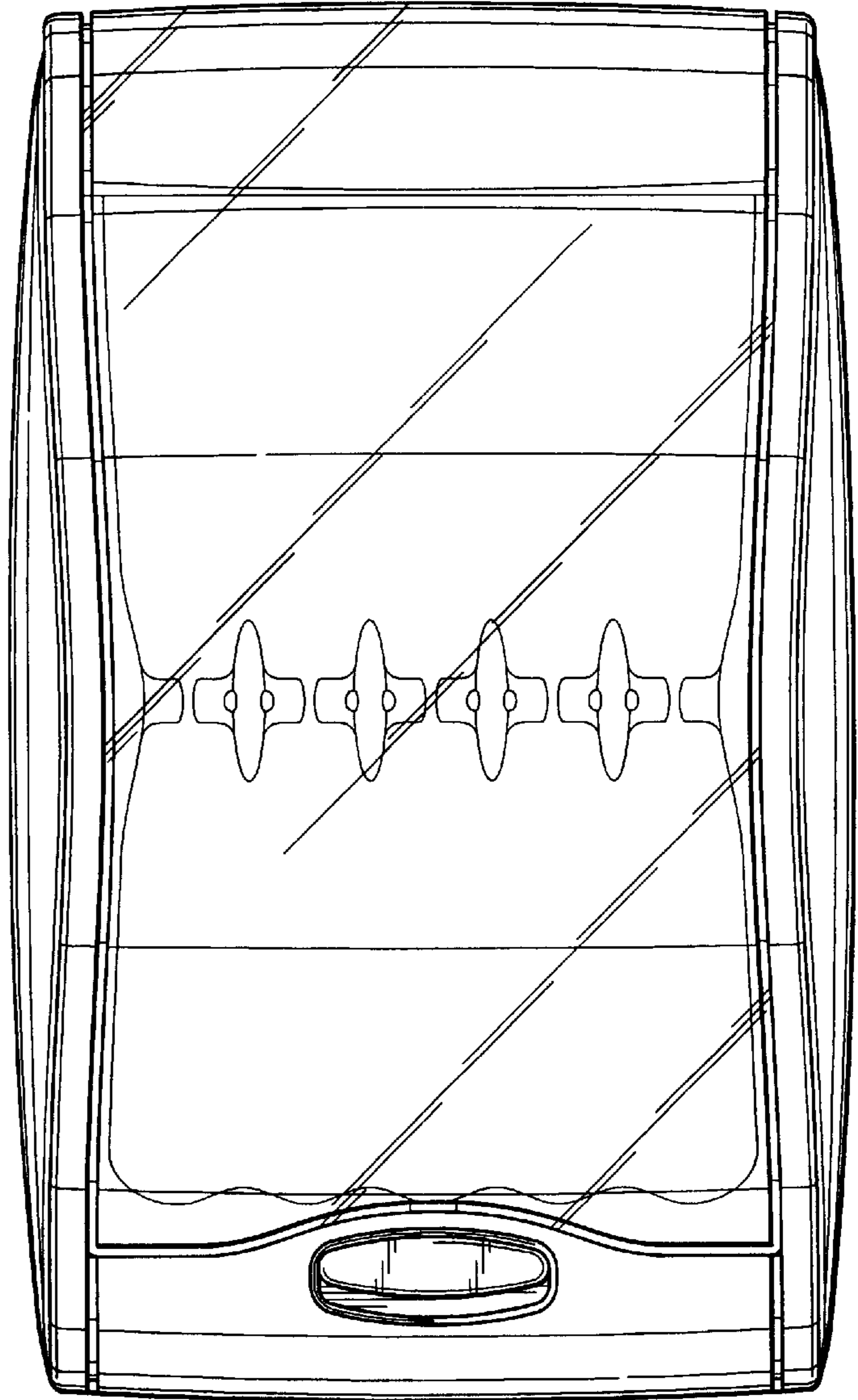
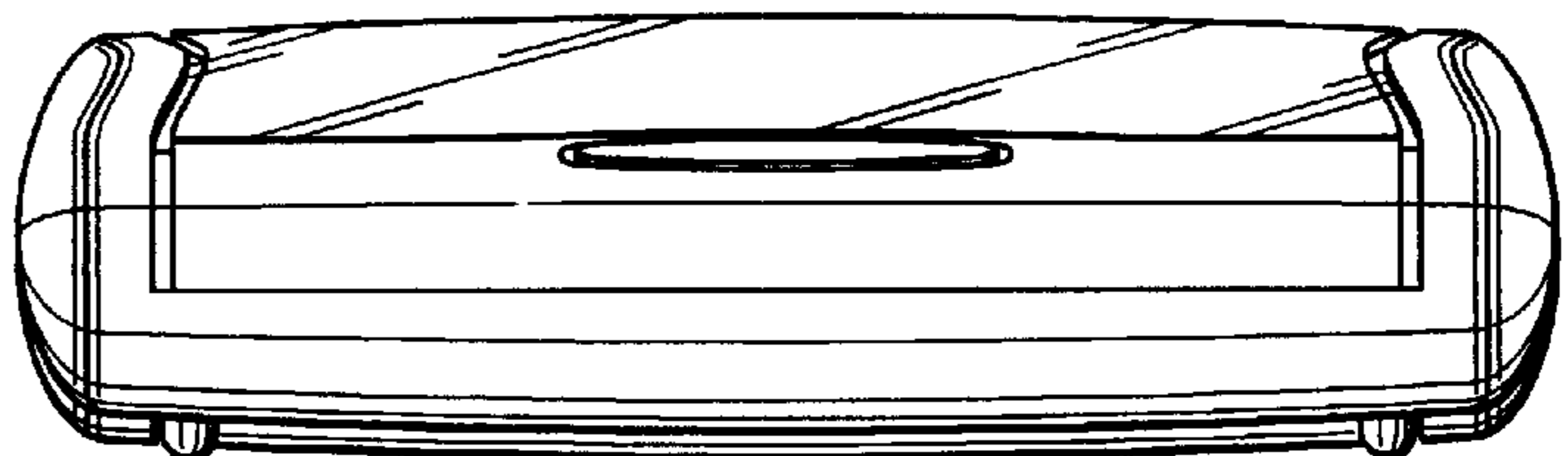


FIG. 3

FIG. 5



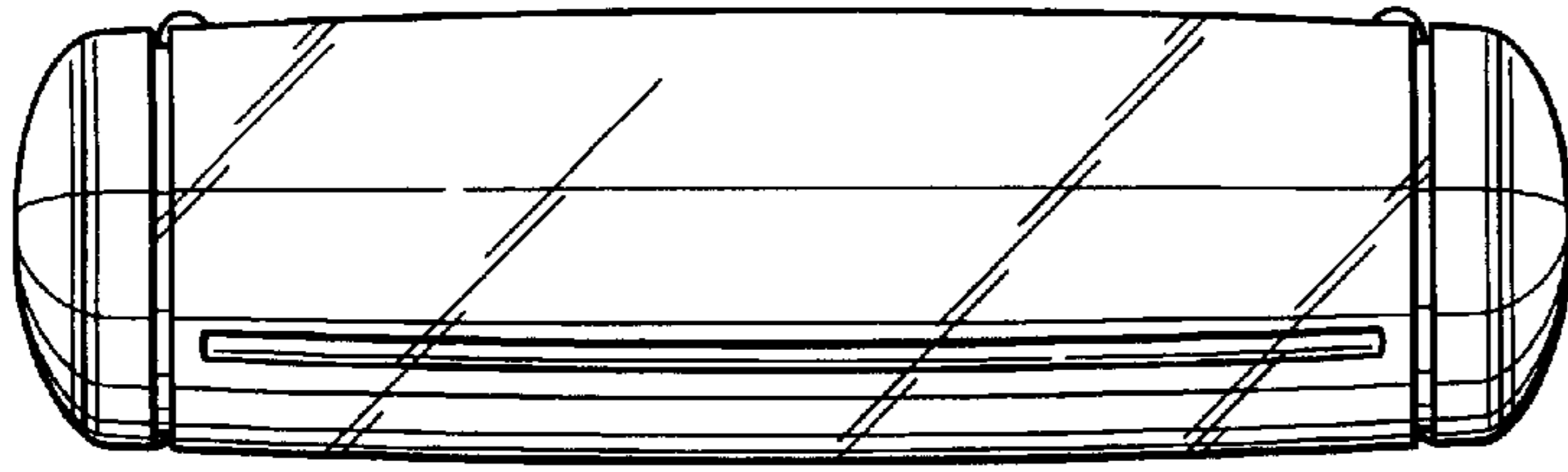


FIG. 6

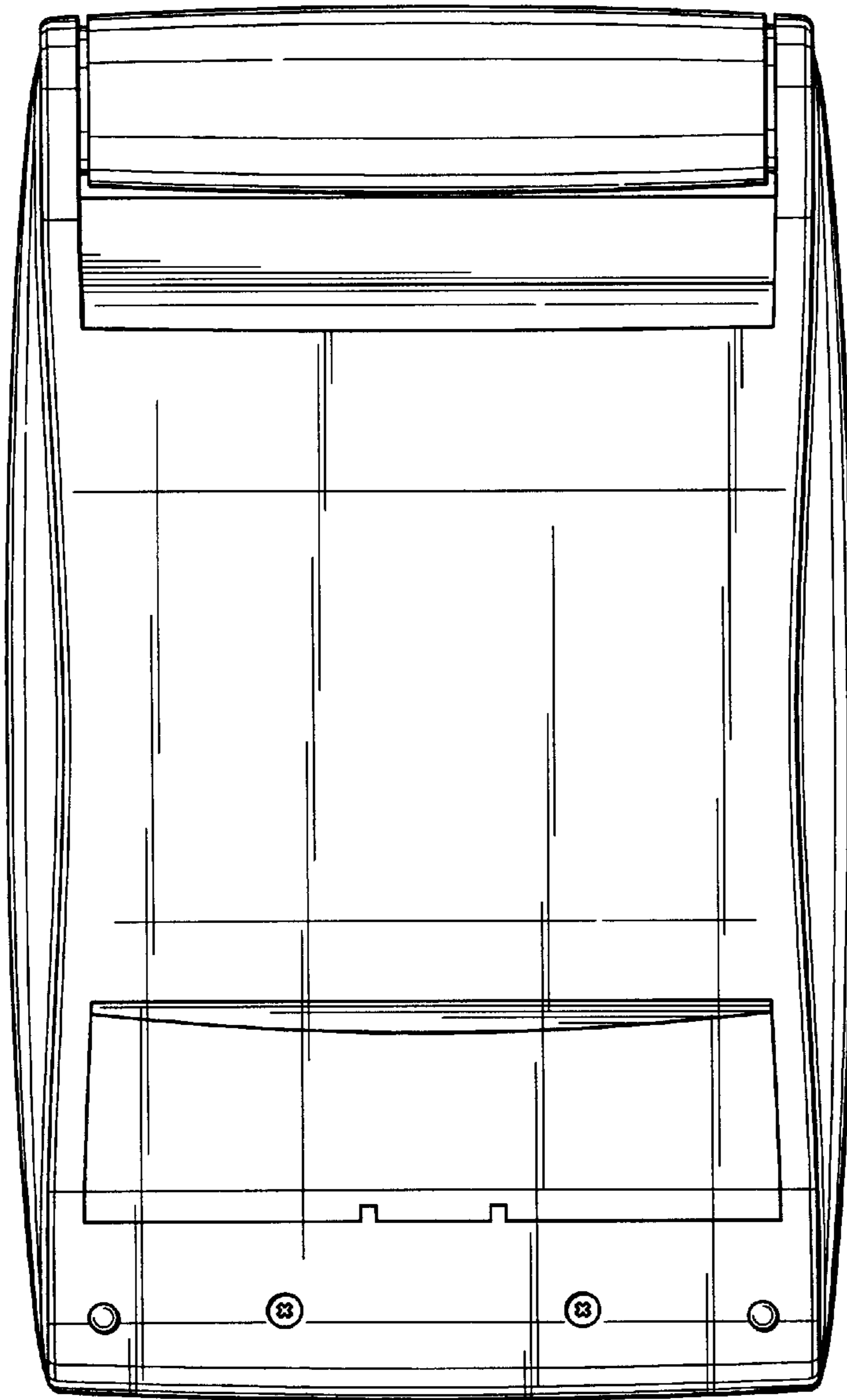


FIG. 7

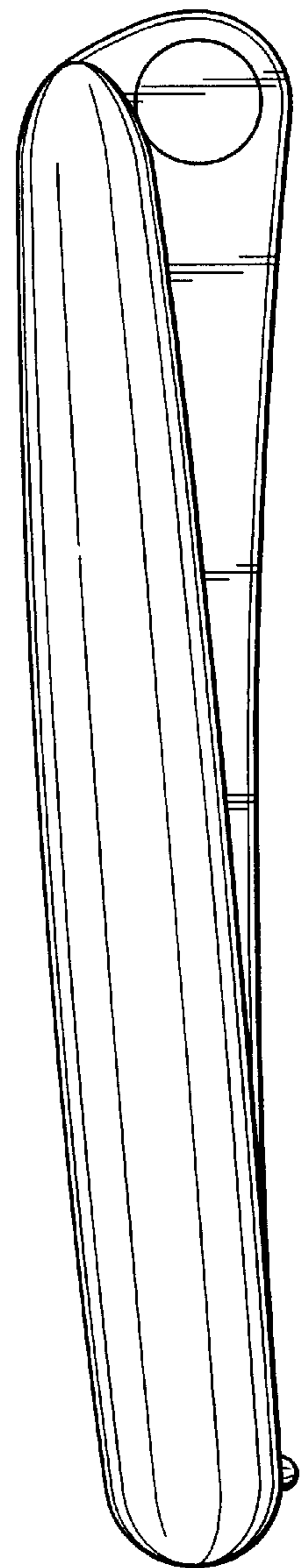


FIG. 8