



US00D466295S

(12) **United States Design Patent**
Snider

(10) **Patent No.:** **US D466,295 S**

(45) **Date of Patent:** **** Dec. 3, 2002**

(54) **STORAGE CASE HAVING A REMOVABLE TRAY**

(75) **Inventor:** **Gregory Scott Snider**, Bel Air, MD (US)

(73) **Assignee:** **Black & Decker Inc.**, Newark, DE (US)

(**) **Term:** **14 Years**

(21) **Appl. No.:** **29/143,134**

(22) **Filed:** **Jun. 7, 2001**

(51) **LOC (7) Cl.** **03-01**

(52) **U.S. Cl.** **D3/276; D3/282**

(58) **Field of Search** D3/273, 276, 281,
D3/282, 294, 302; 190/100, 110, 109, 111;
206/349, 372, 373

(56) **References Cited**

U.S. PATENT DOCUMENTS

1,973,283	A	9/1934	Buttrick	
4,717,024	A	1/1988	Djezovic	206/581
4,884,689	A	12/1989	Su-Chin	206/372
D316,482	S	4/1991	Boitani	
D324,308	S	* 3/1992	Chen	D3/282
5,114,007	A	5/1992	Chen	206/373
5,398,810	A	3/1995	Yao Wang	206/373
D367,557	S	* 3/1996	Chang	D3/276
5,826,719	A	10/1998	Chen	206/373
5,915,554	A	6/1999	Hung	206/372
D413,203	S	* 8/1999	Zurwelle et al.	D3/276
D417,338	S	* 12/1999	Main	D3/276
6,044,973	A	4/2000	Vasudeva	206/372
6,062,385	A	5/2000	Cho	206/373
D429,608	S	8/2000	Hoffman	D7/629
6,105,767	A	8/2000	Vasudeva	206/372
6,105,770	A	8/2000	Vasudeva	206/378
D439,407	S	* 3/2001	Parker	D3/276

* cited by examiner

Primary Examiner—Philip S. Hyder

(74) *Attorney, Agent, or Firm*—Harness, Dickey & Pierce, P.L.C.

(57) **CLAIM**

The ornamental design for a storage case having a removable tray, as shown and described.

DESCRIPTION

FIG. 1 is a perspective view of a storage case having a removable tray, shown in a closed position;

FIG. 2 is a front view thereof;

FIG. 3 is a rear view thereof;

FIG. 4 is a top view thereof;

FIG. 5 is a bottom view thereof;

FIG. 6 is a right side view thereof;

FIG. 7 is a left side view thereof;

FIG. 8 is a plan view of the storage case in the open position with the tray removed;

FIG. 9 is a front view of the removable tray;

FIG. 10 is a rear view thereof;

FIG. 11 is a right side view thereof (the left side is a mirror image of the right side);

FIG. 12 is perspective view of a second embodiment of a storage case having a removable tray, shown in a closed position;

FIG. 13 is a front view thereof;

FIG. 14 is a rear view thereof;

FIG. 15 is a top view thereof;

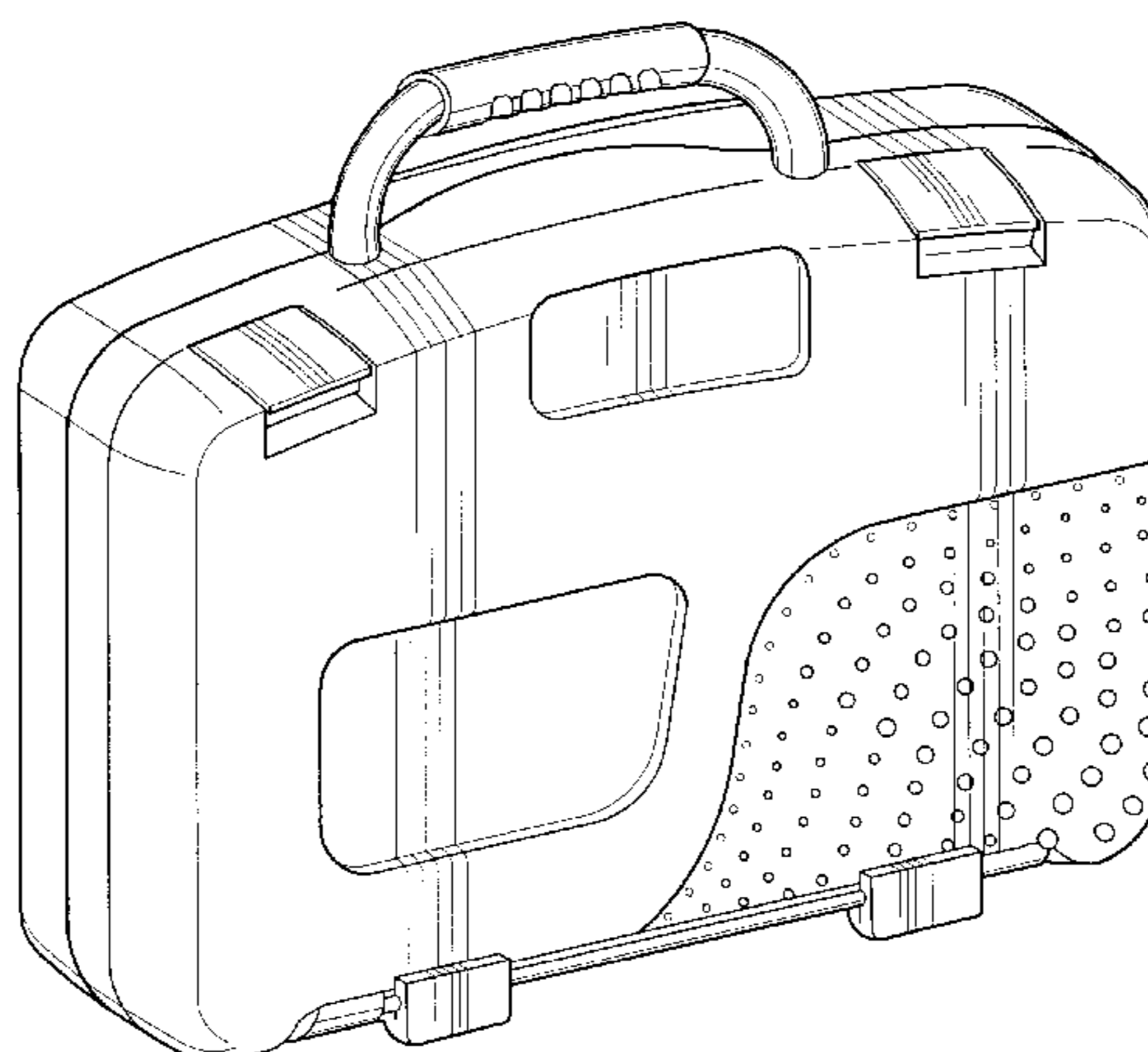
FIG. 16 is a bottom view thereof;

FIG. 17 is a right side view thereof; and,

FIG. 18 is a left side view thereof.

The broken line portions of the disclosure are for illustrative purposes only and form no part of the claimed design.

1 Claim, 8 Drawing Sheets



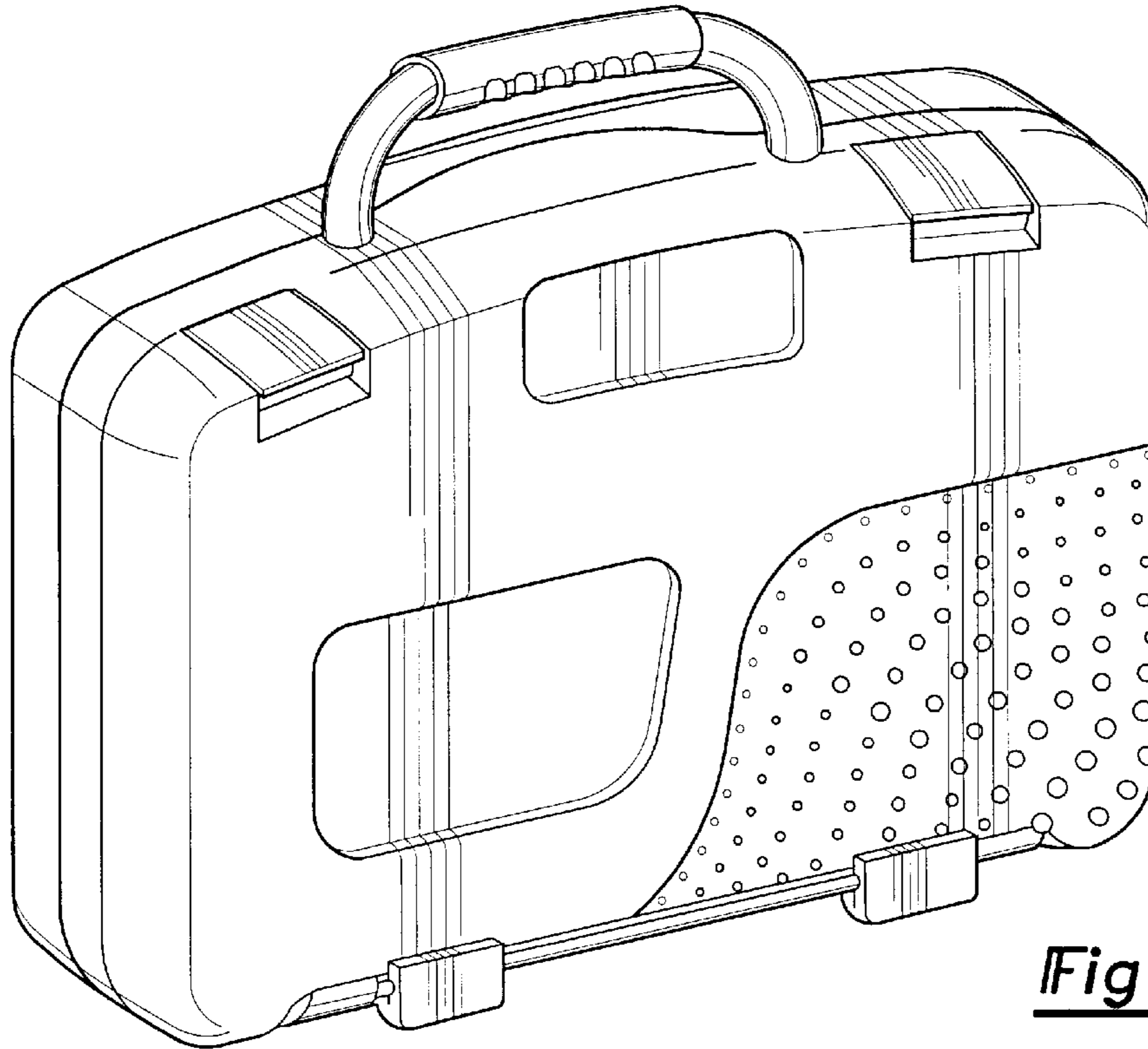


Fig-1

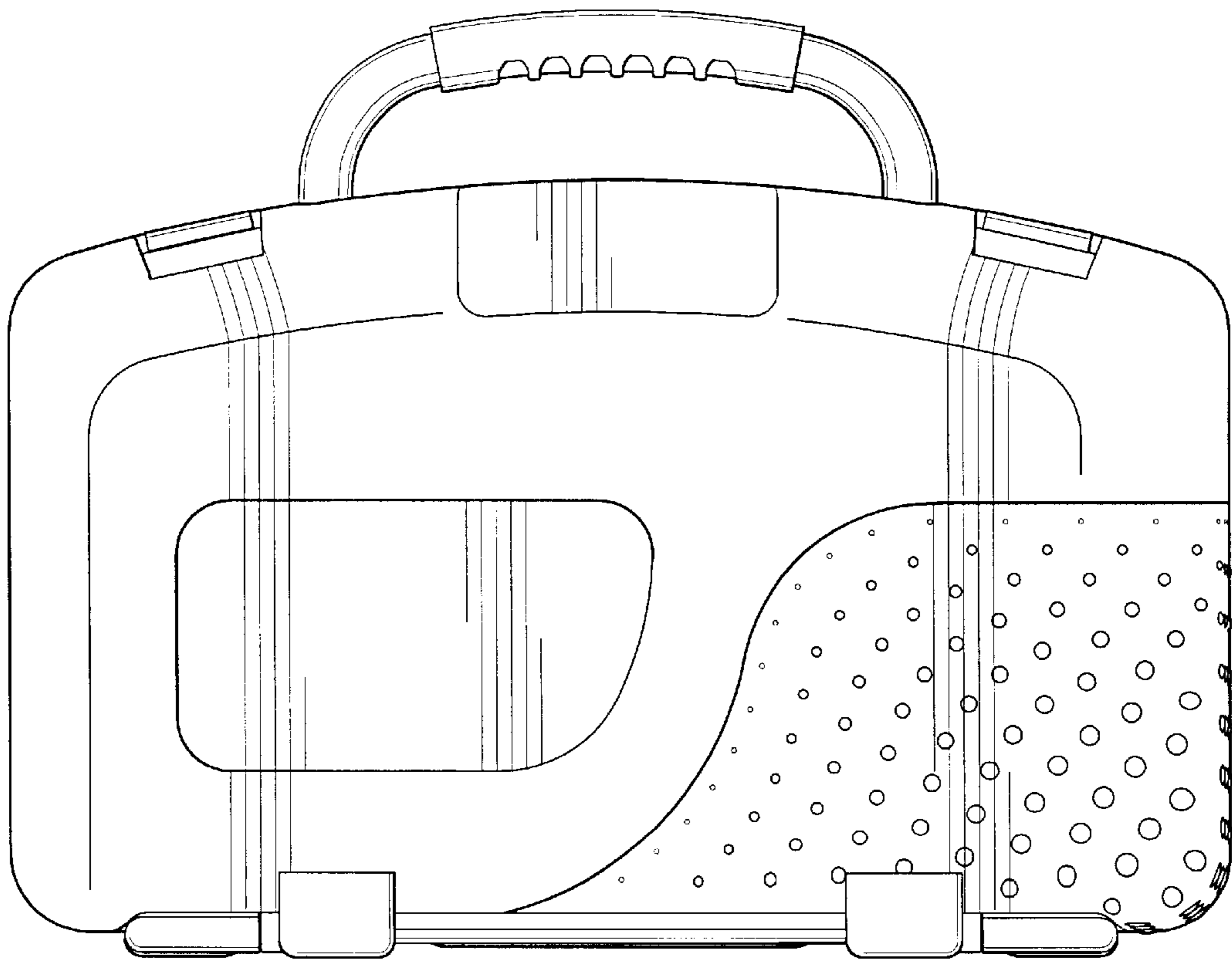


Fig-2

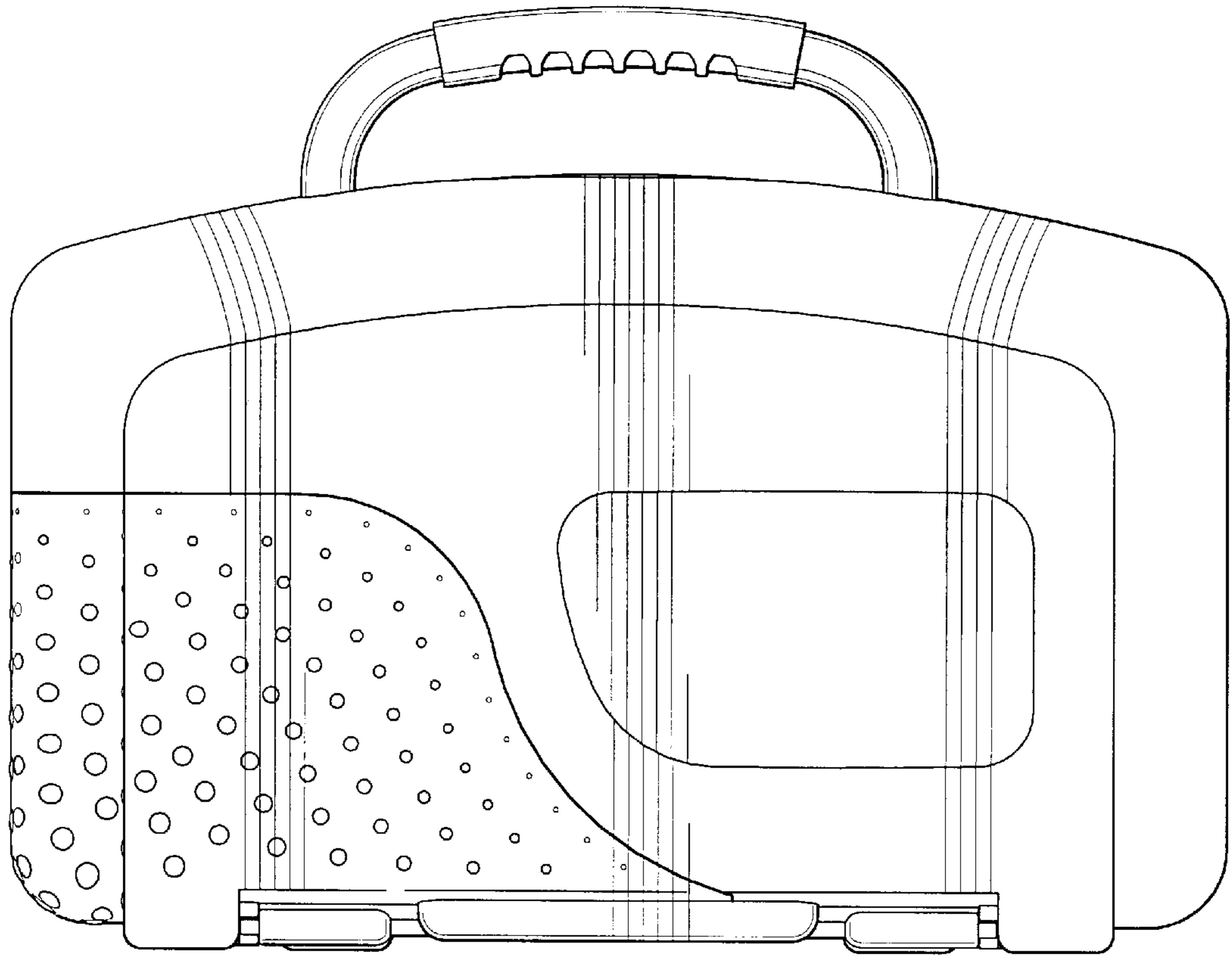


Fig-3

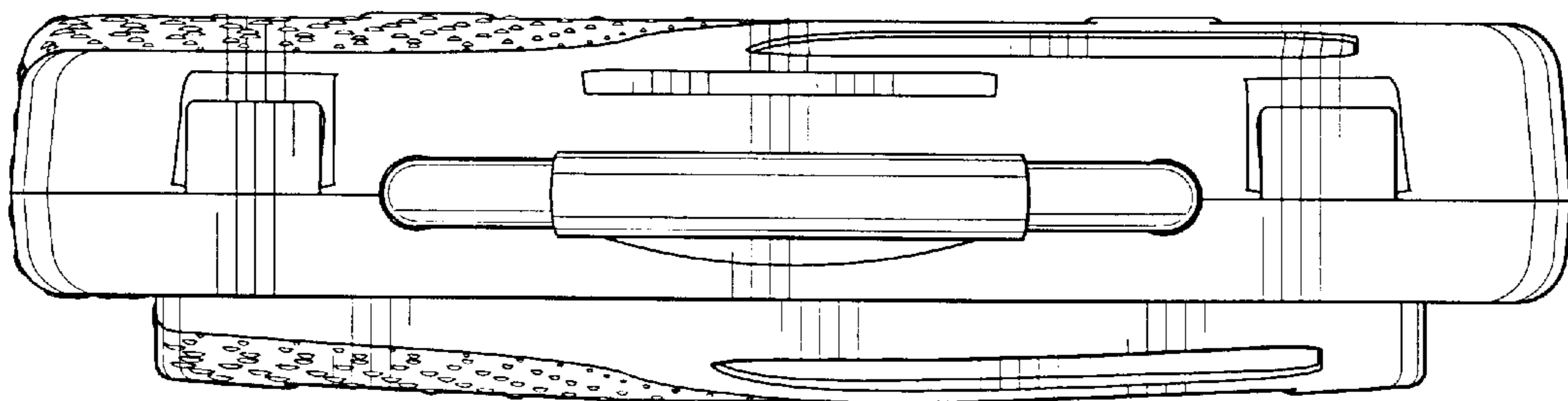


Fig-4

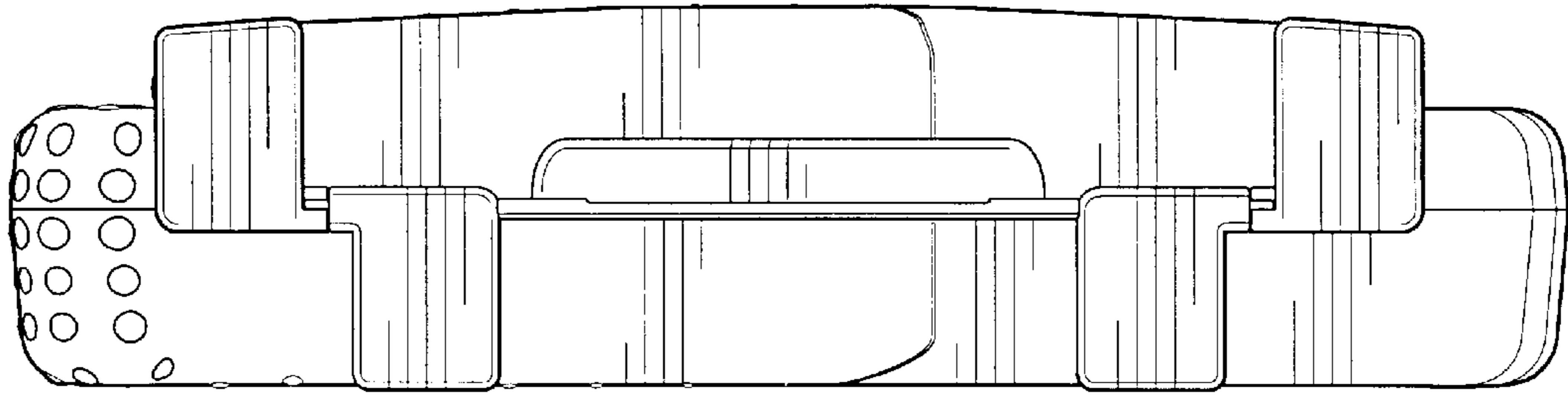


Fig-5

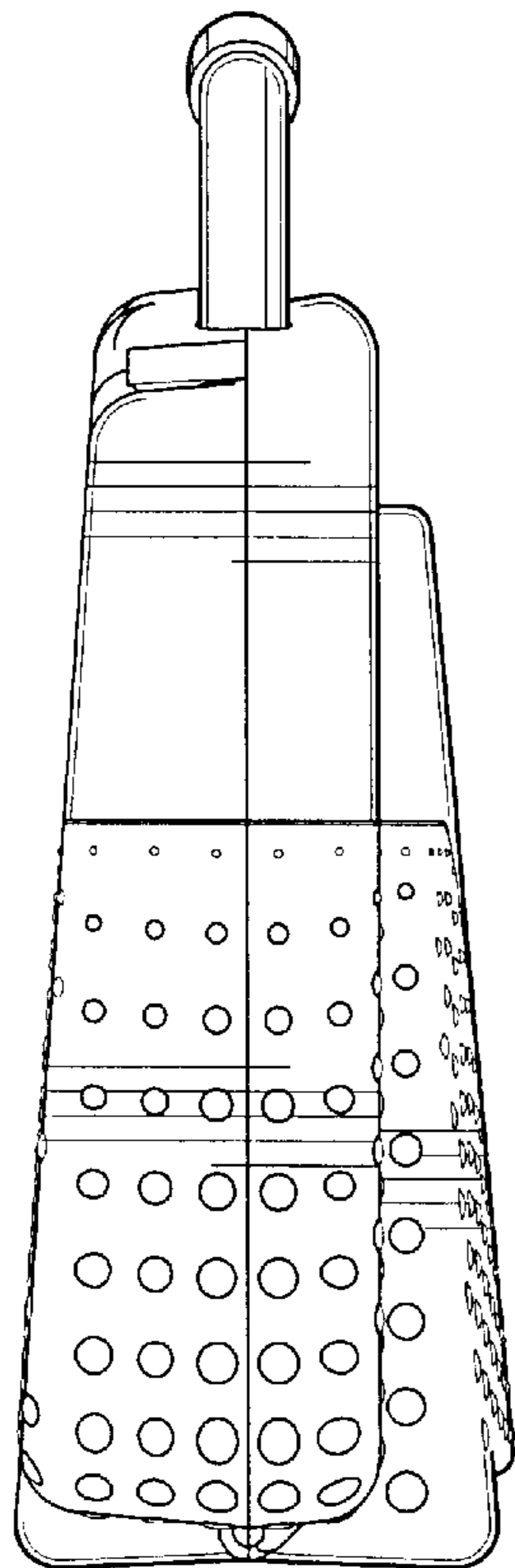


Fig-6

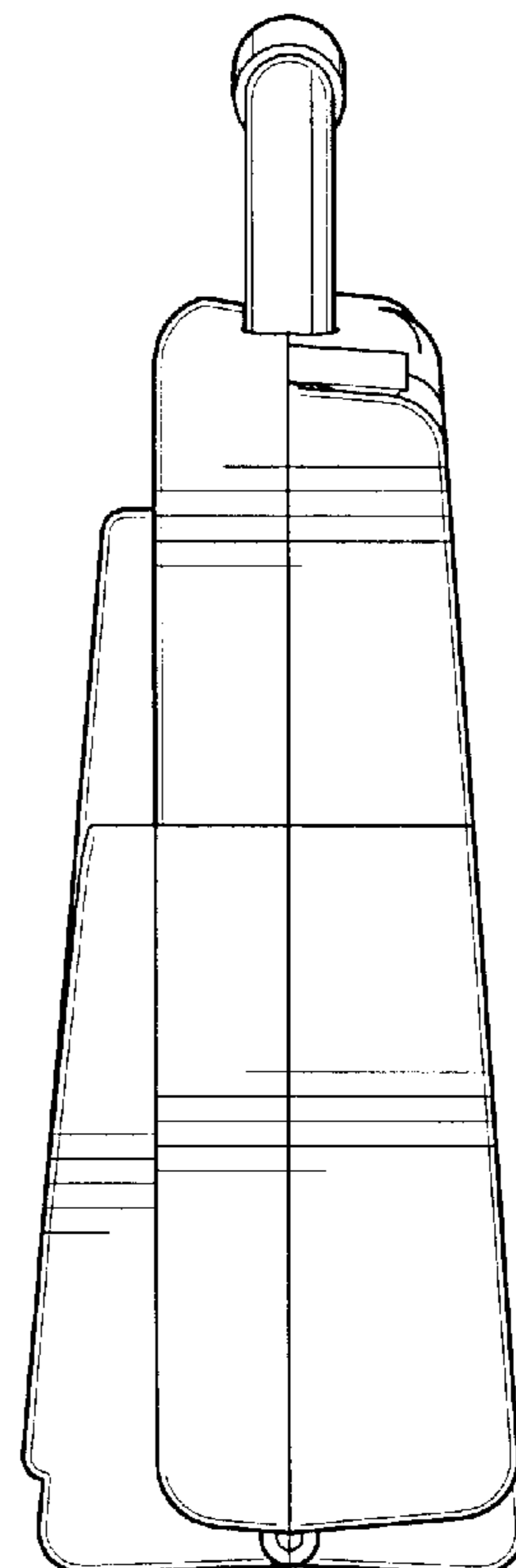


Fig-7

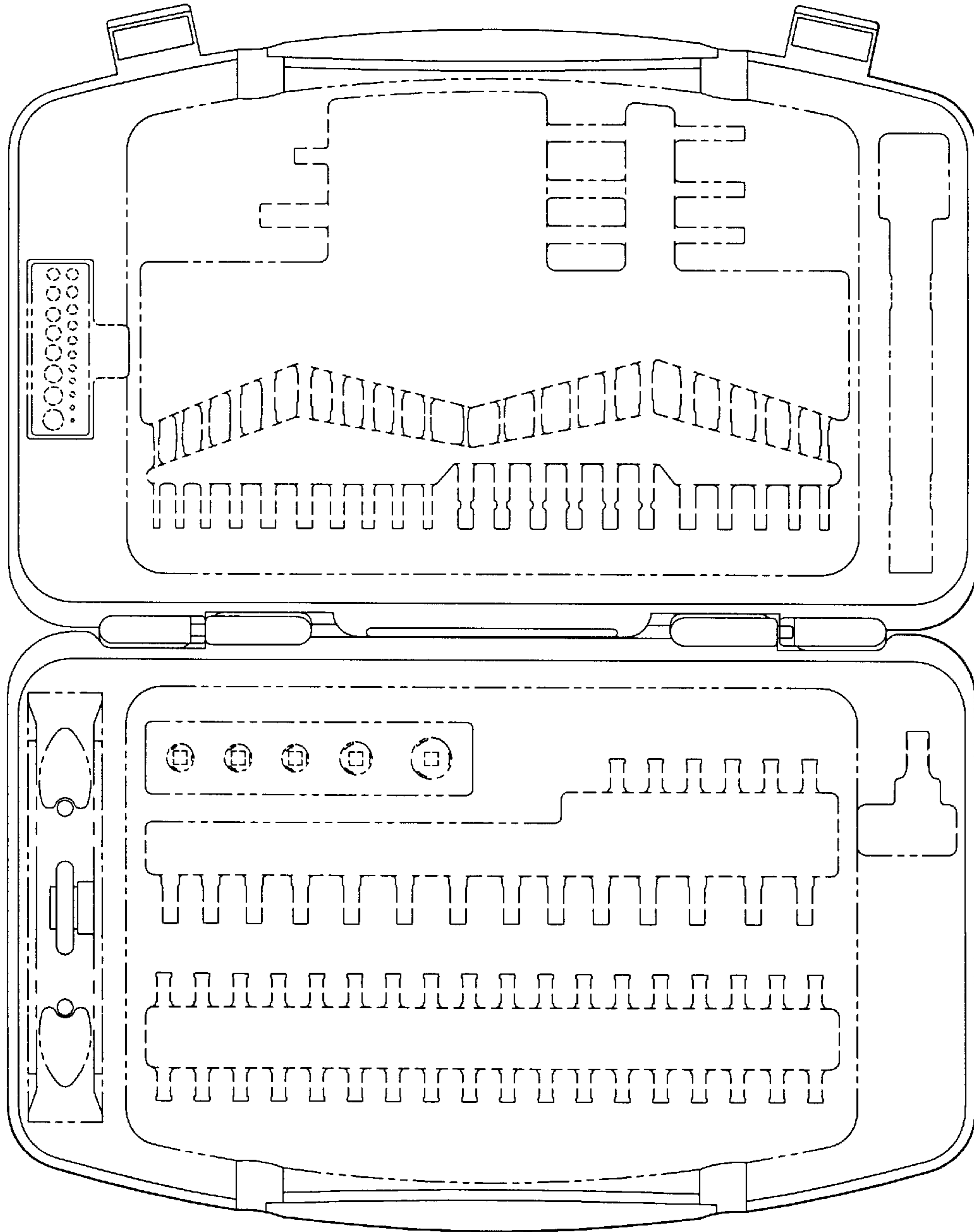


Fig-8

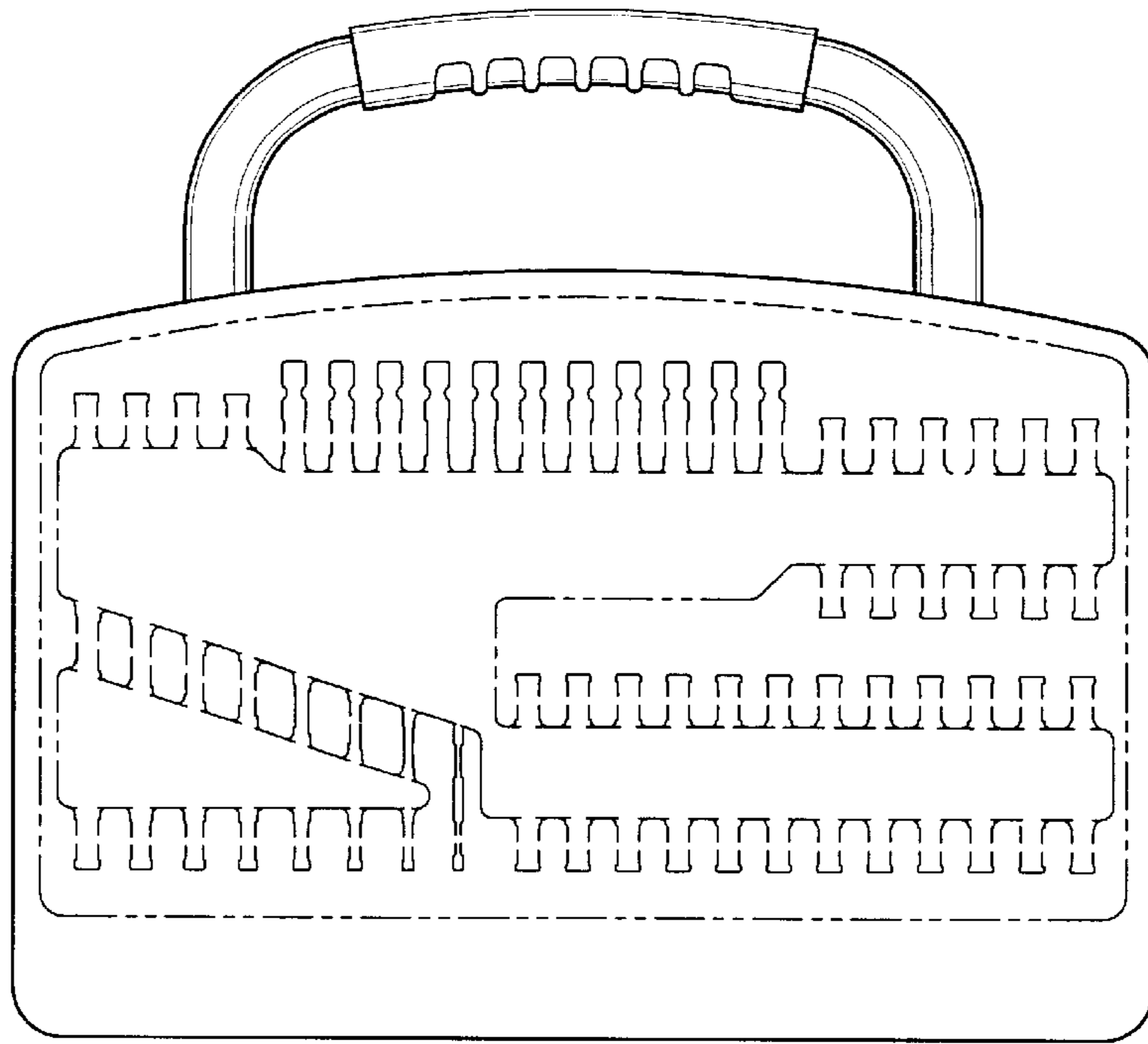


Fig-9

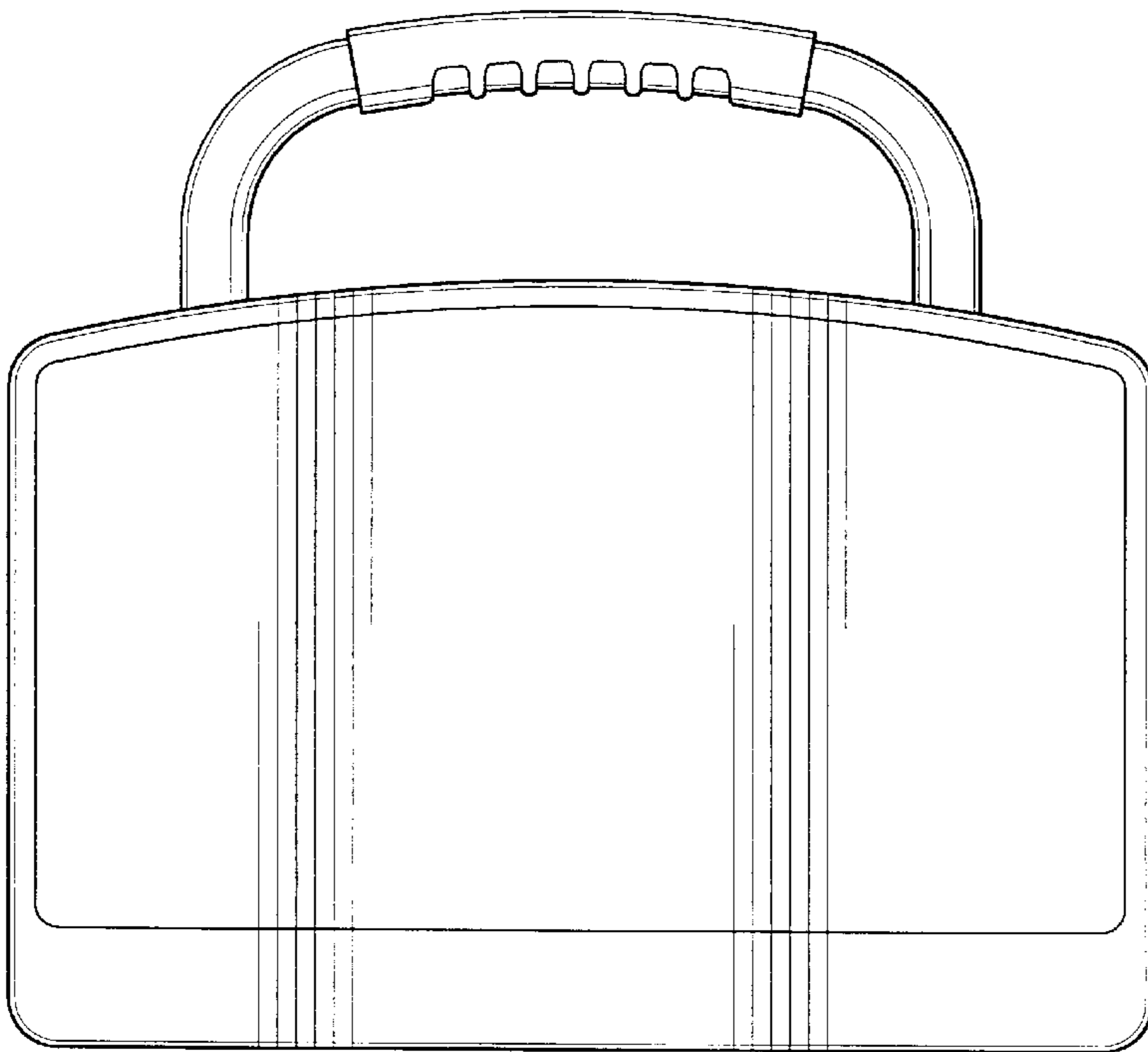


Fig-10



Fig-11

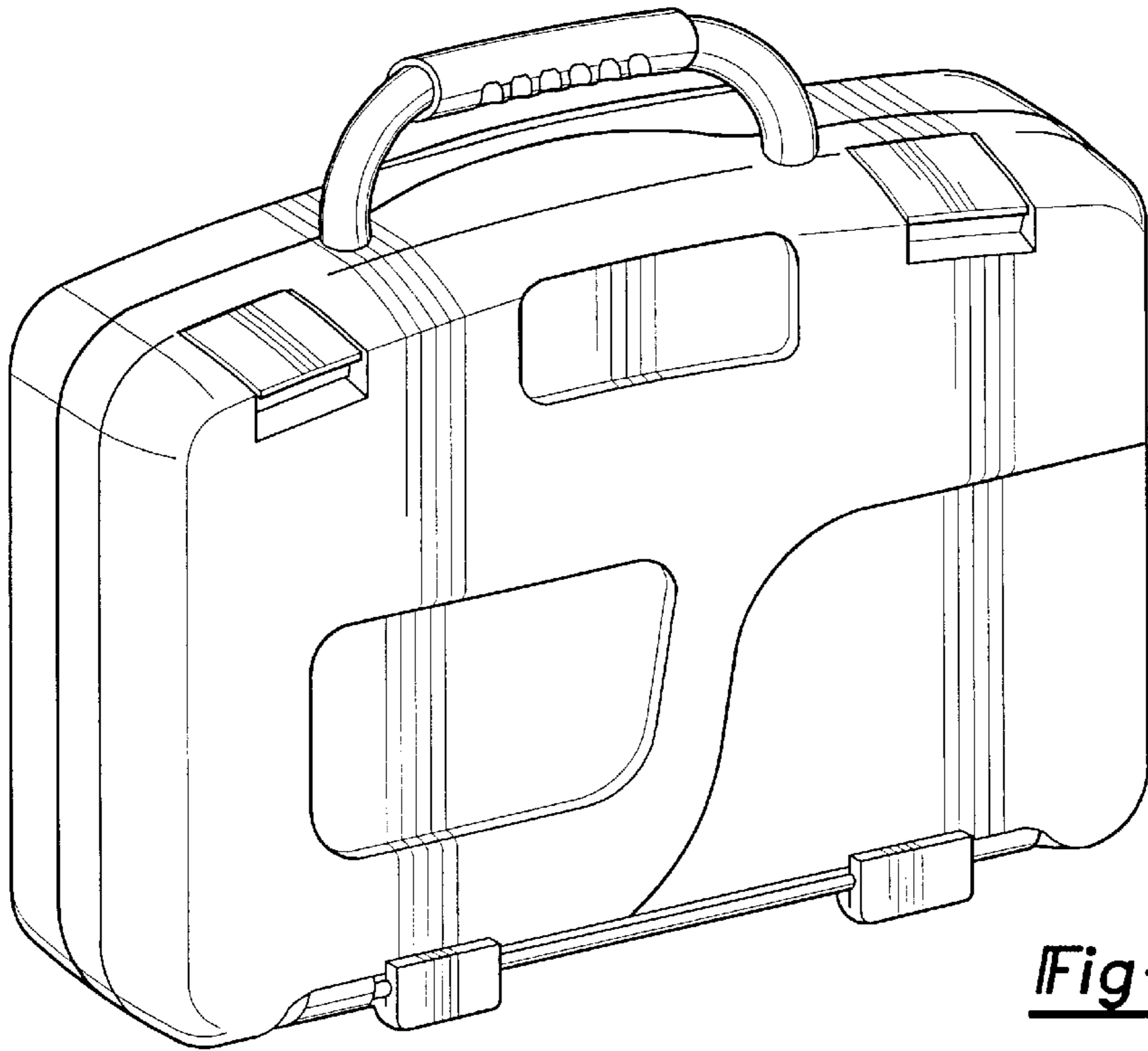


Fig-12

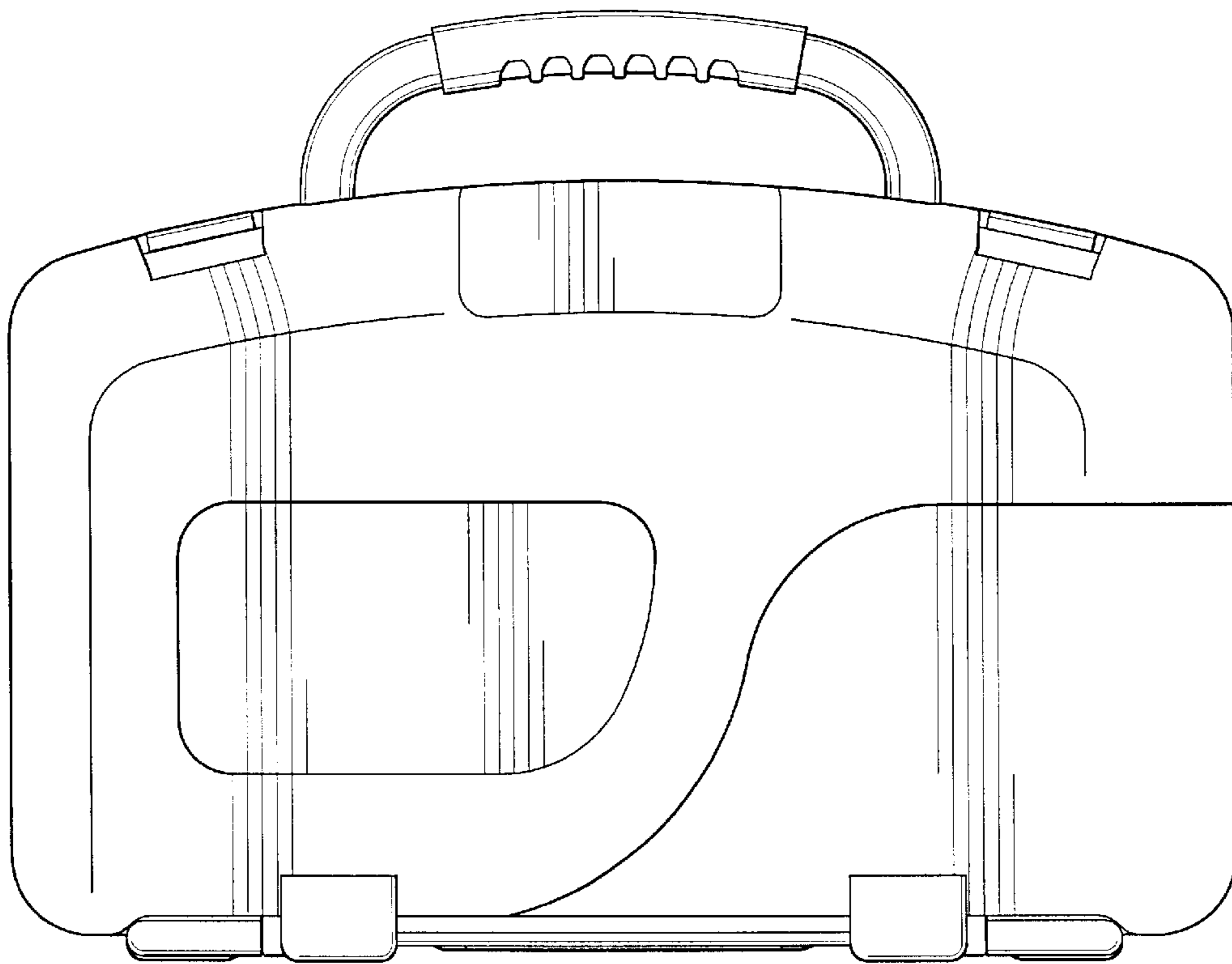


Fig-13

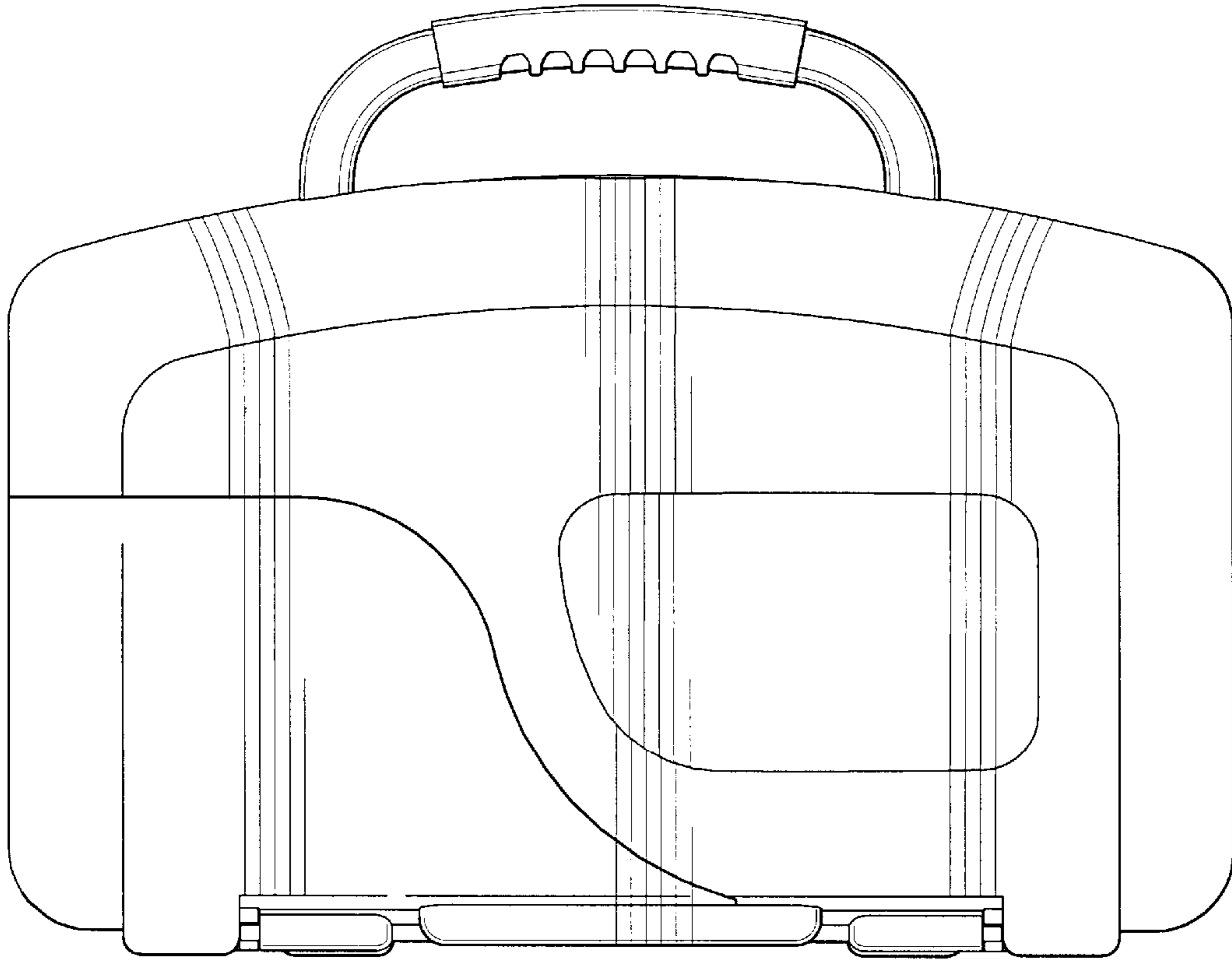


Fig-14

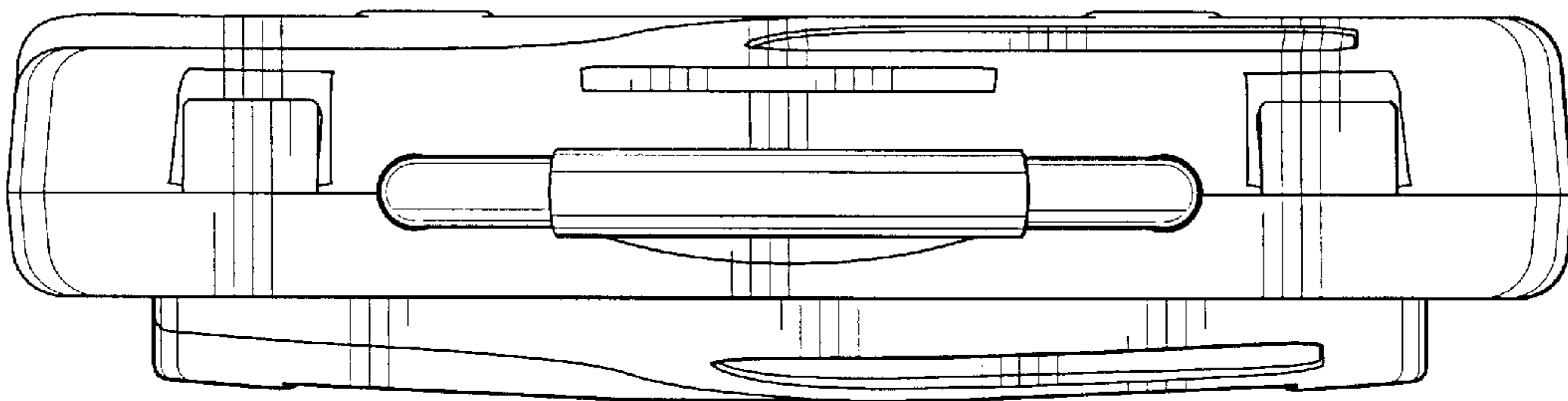


Fig-15

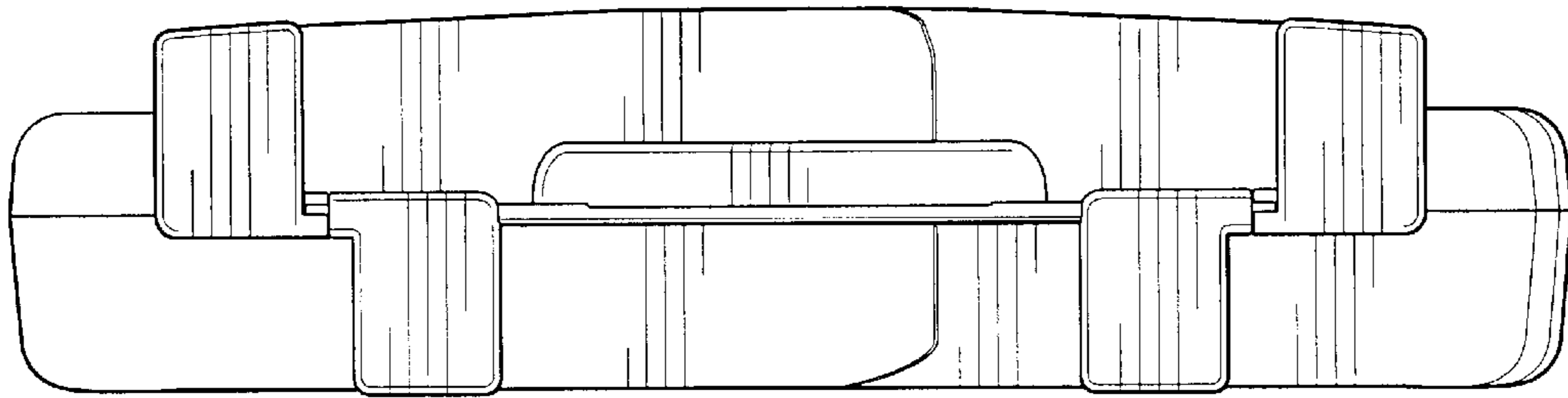


Fig-16

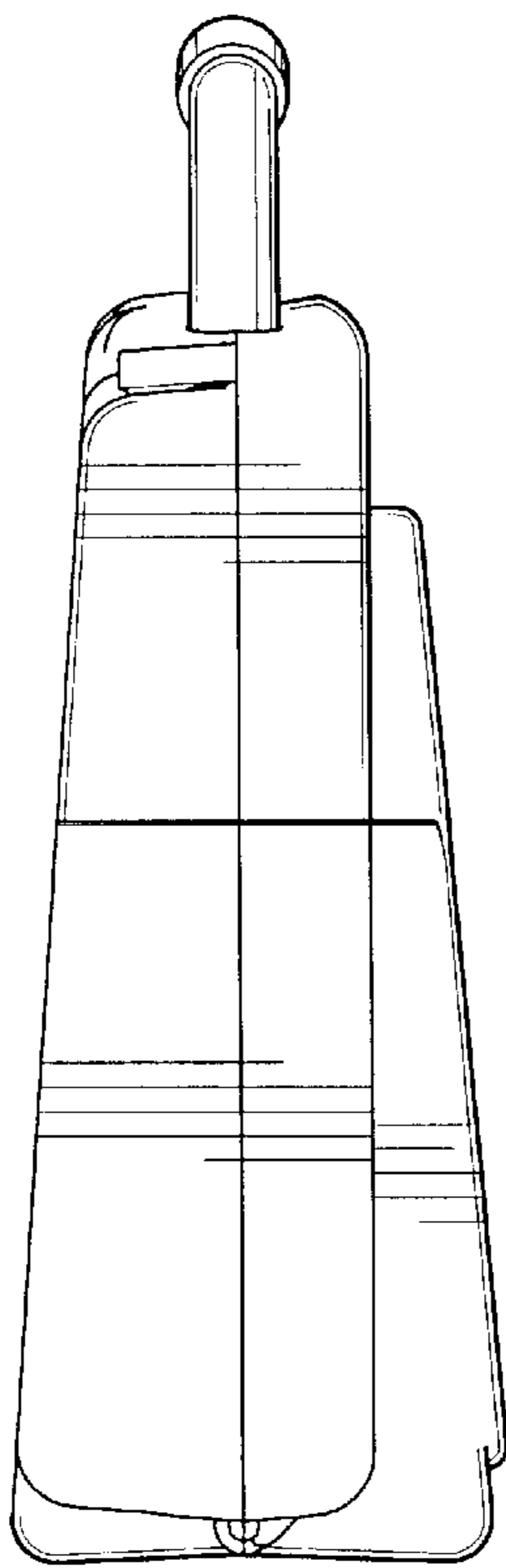


Fig-17

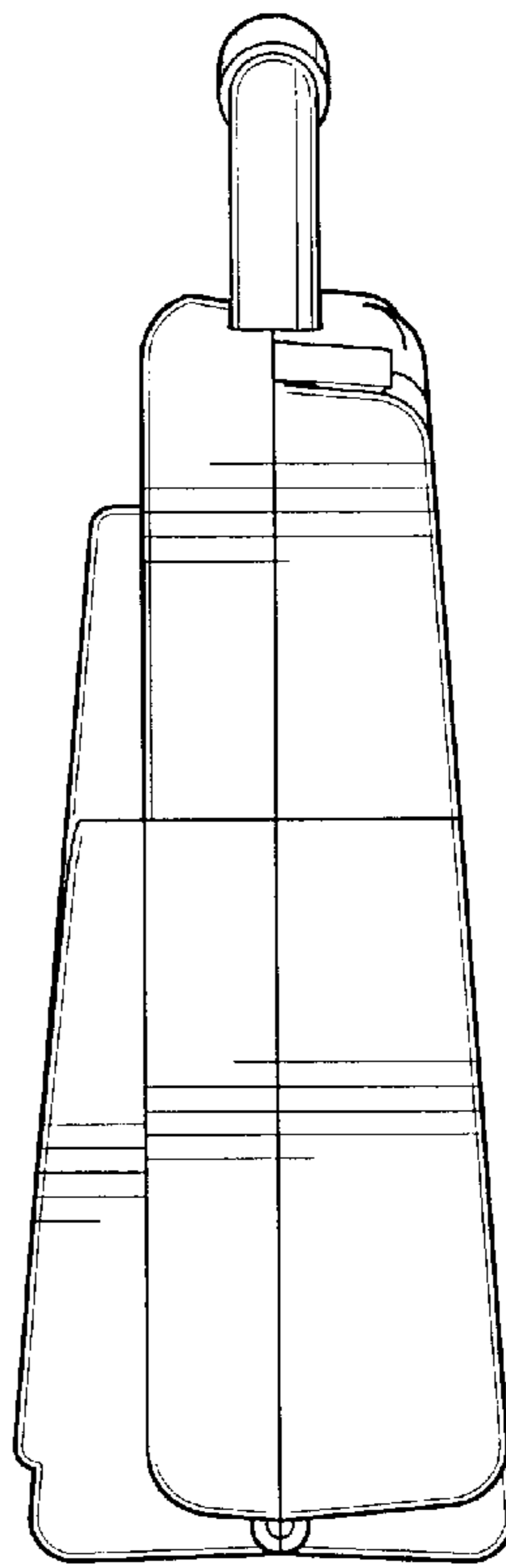


Fig-18