



US00D466292S

(12) **United States Design Patent**
Hulback et al.

(10) **Patent No.:** **US D466,292 S**

(45) **Date of Patent:** **** Dec. 3, 2002**

(54) **EYEGLASS HOLDER**

(76) Inventors: **Bradley S. Hulback**, P.O. Box 1796,
Eau Claire, WI (US) 54702-1796;
Lester Jacobson, P.O. Box 1796, Eau
Claire, WI (US) 54702-1796

(**) **Term:** **14 Years**

(21) **Appl. No.:** **29/151,036**

(22) **Filed:** **Oct. 31, 2001**

(51) **LOC (7) Cl.** **03-01**

(52) **U.S. Cl.** **D3/266; D3/265; D3/270**

(58) **Field of Search** **D3/219, 264, 265,**
D3/266, 270; D9/314, 451; D16/130; 24/3.3,
3.11, 36; 206/5, 5.1; 248/205.3, 229.6,
231.54, 309.1, 316.7, 902

(56) **References Cited**

U.S. PATENT DOCUMENTS

2,949,683 A	8/1960	Glover	
D258,046 S	1/1981	Richmond	
D259,180 S	* 5/1981	Zeiger D9/451
D259,702 S	* 6/1981	Richmond D9/314
D305,340 S	1/1990	Stein	
4,941,634 A	* 7/1990	Gomes et al. 248/229.26
D313,501 S	* 1/1991	Levy et al. D3/266
5,000,410 A	* 3/1991	Beavers 248/205.3

D320,025 S	* 9/1991	Horrall D3/266
5,137,242 A	* 8/1992	Reath 248/309.1
5,316,252 A	5/1994	Charnow et al.	
D379,871 S	* 6/1997	Hollinger D3/266
5,975,476 A	* 11/1999	Mancinelli 248/316.7
D429,417 S	* 8/2000	Liebers et al. D3/266
6,135,407 A	* 10/2000	Havis et al. 248/309.1
D438,002 S	* 2/2001	Lin D3/265
D448,929 S	* 10/2001	Burke D3/266

* cited by examiner

Primary Examiner—Celia Murphy

(74) *Attorney, Agent, or Firm*—Anthony J. Bourget

(57) **CLAIM**

The ornamental design for an eyeglass holder, as shown and described.

DESCRIPTION

FIG. 1 is a front view of an eyeglass holder showing our new design;

FIG. 2 is a front elevational view thereof;

FIG. 3 is a left elevational view thereof;

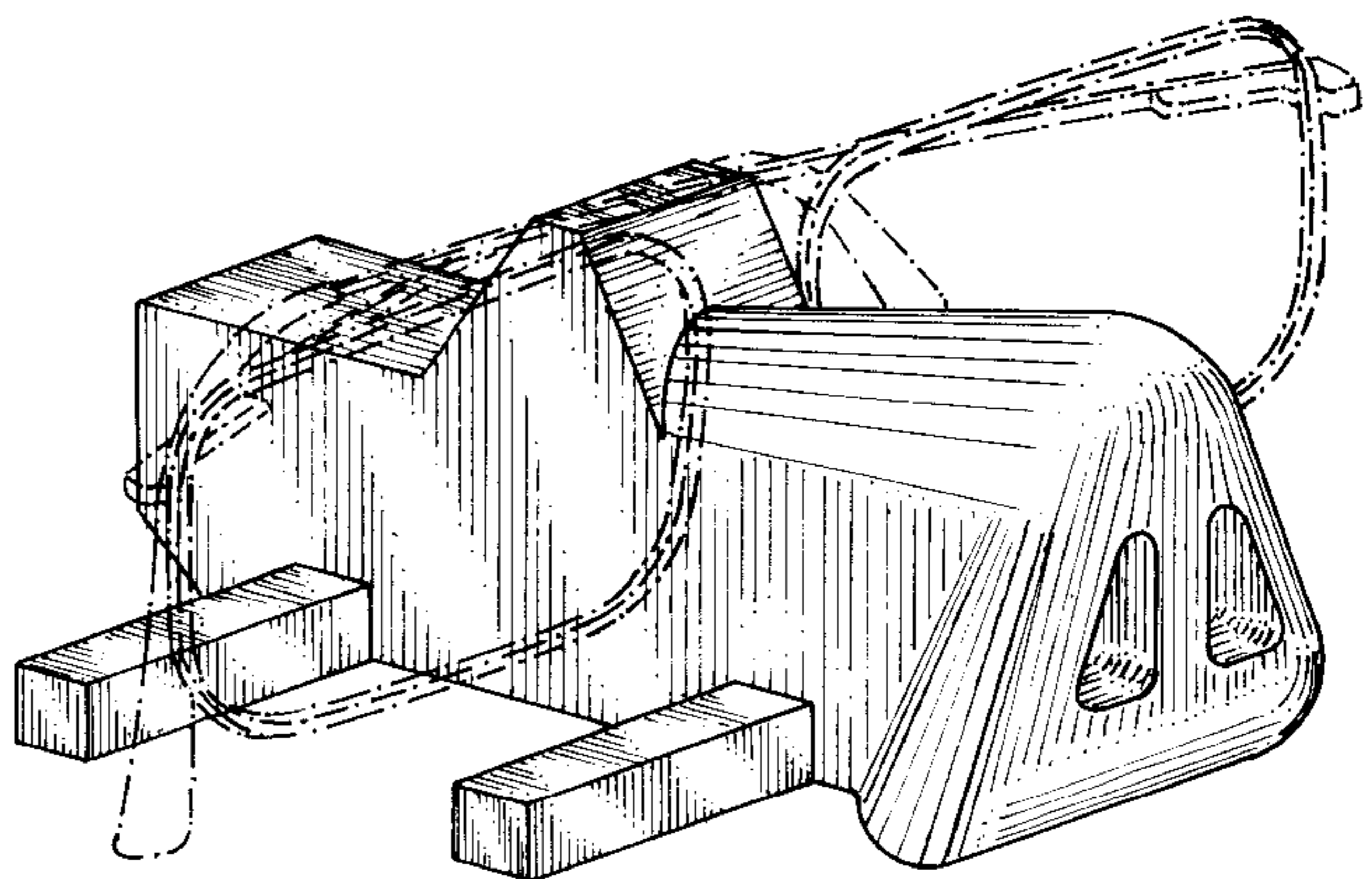
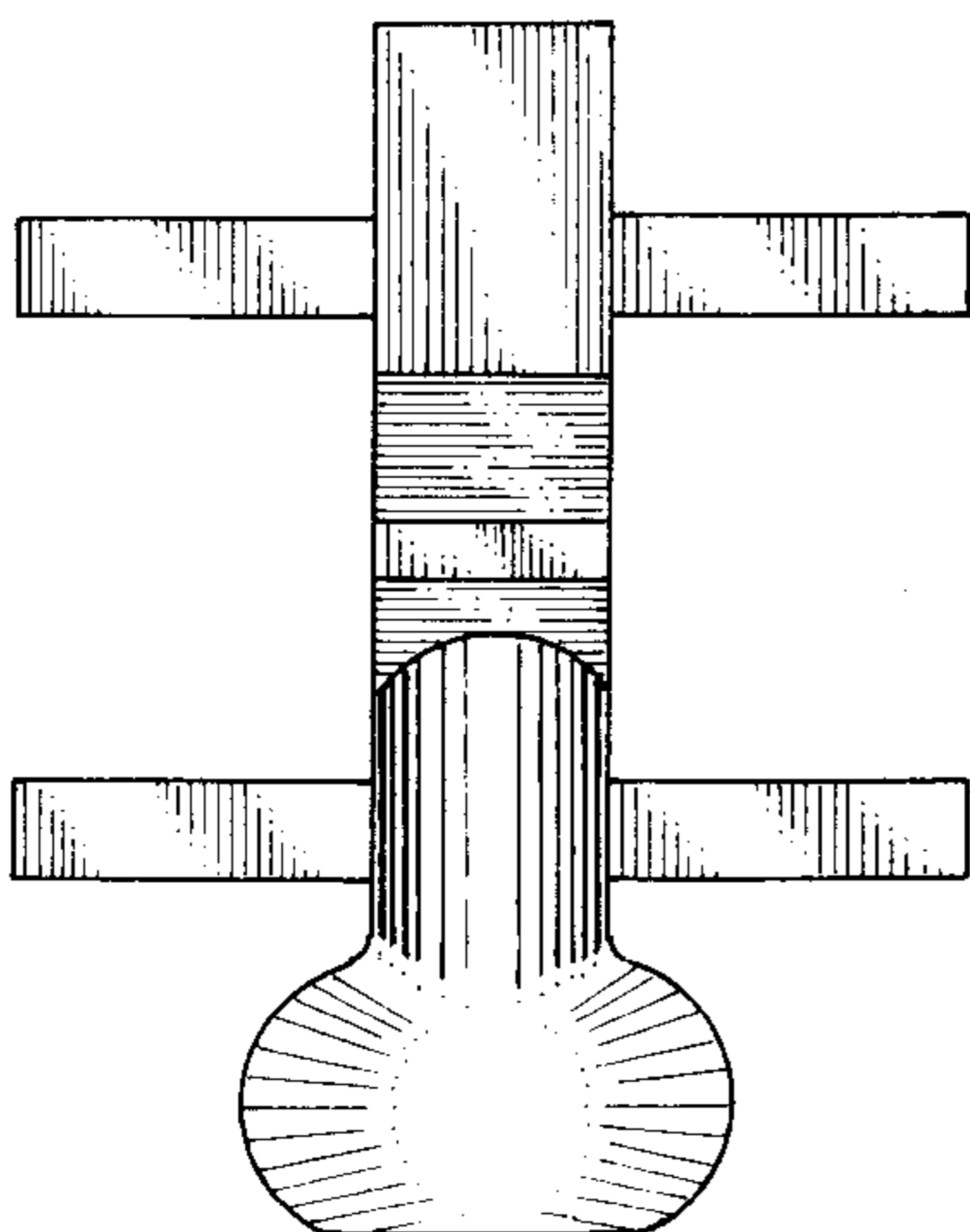
FIG. 4 is a back view (upside down) thereof;

FIG. 5 is a bottom view thereof; and,

FIG. 6 is a perspective view thereof.

The broken lines showing eyeglasses in FIG. 6, illustrate the use of the design, and do not form any part of the claim.

1 Claim, 6 Drawing Sheets



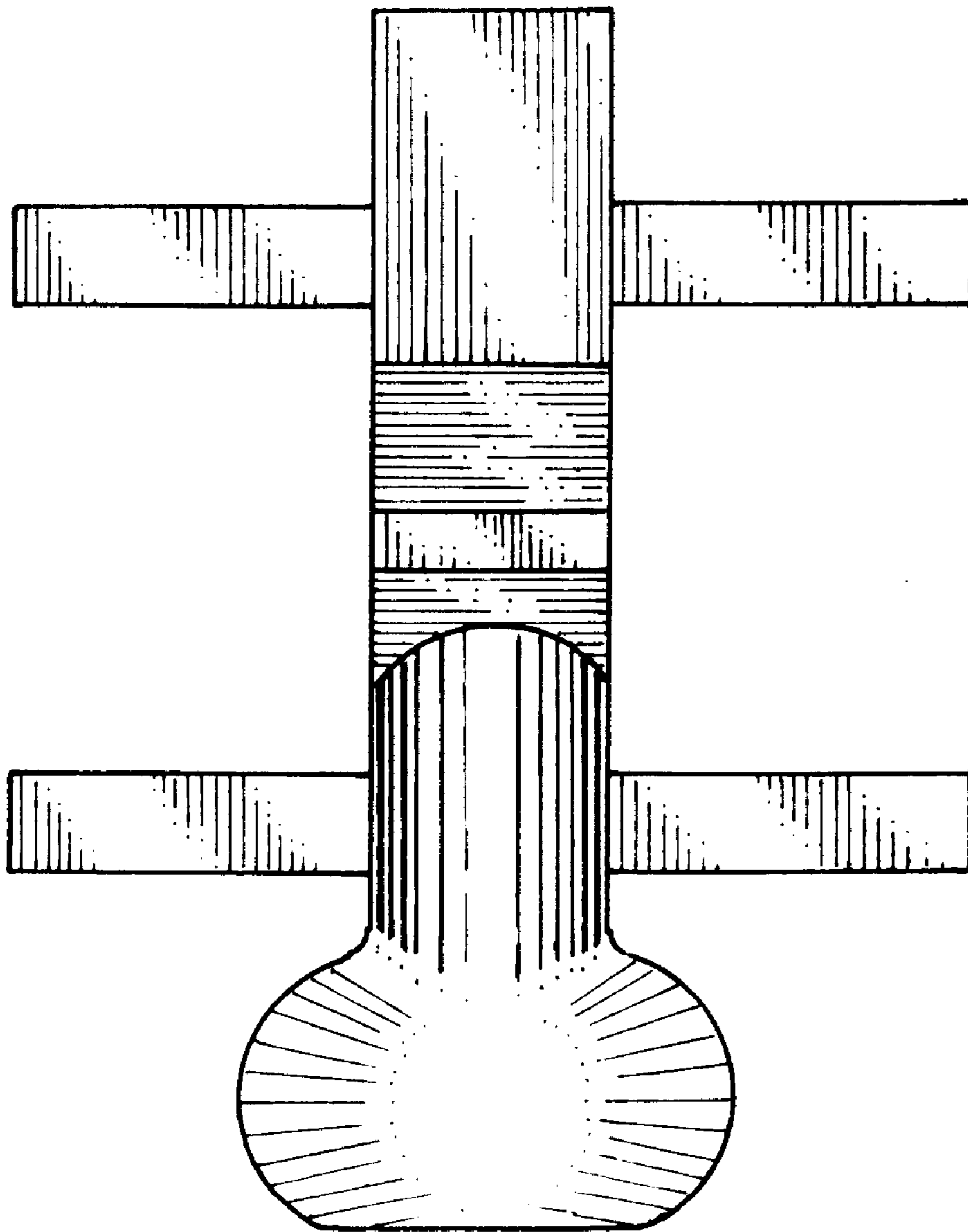


Figure 1

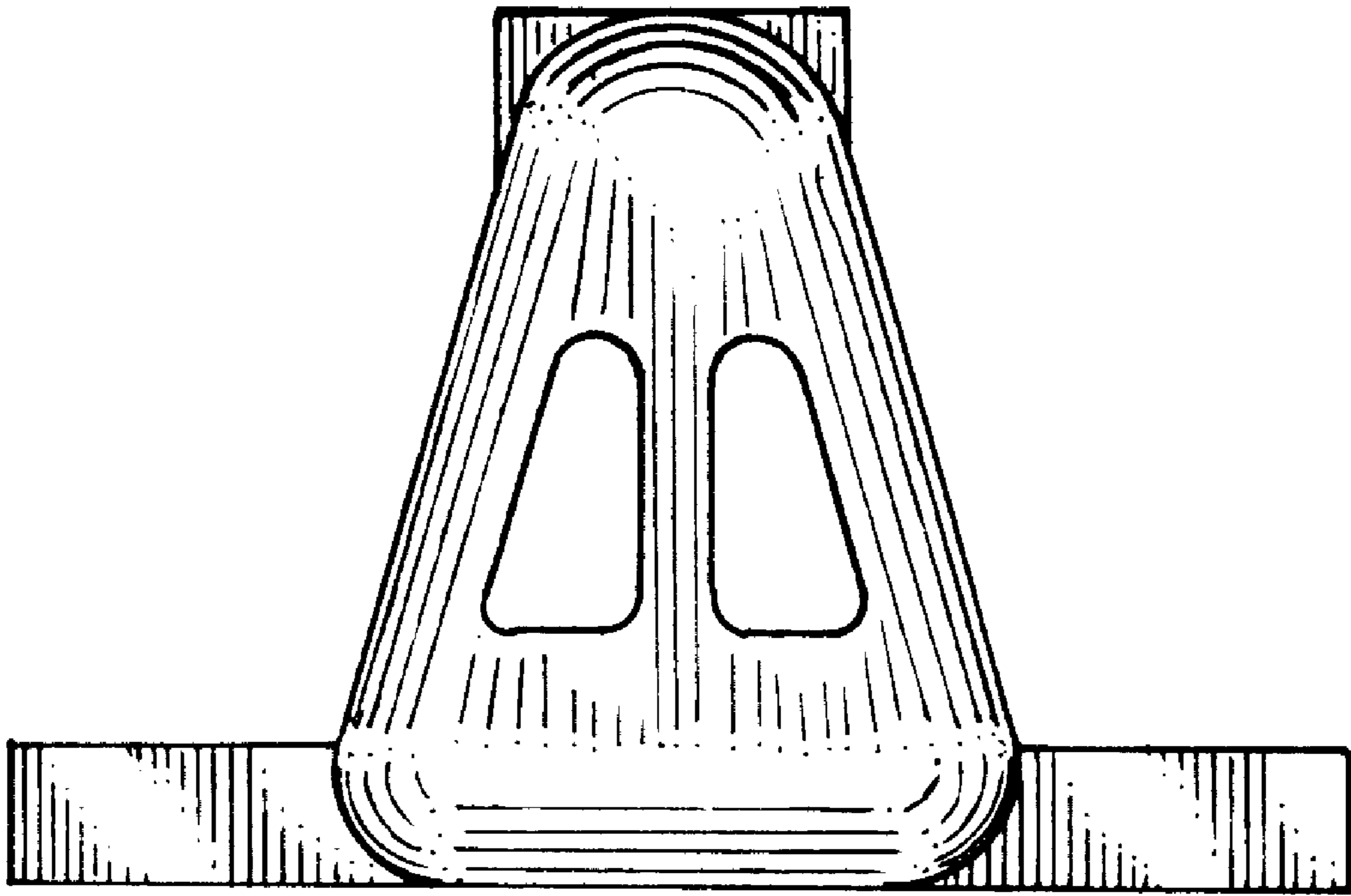


Figure 2

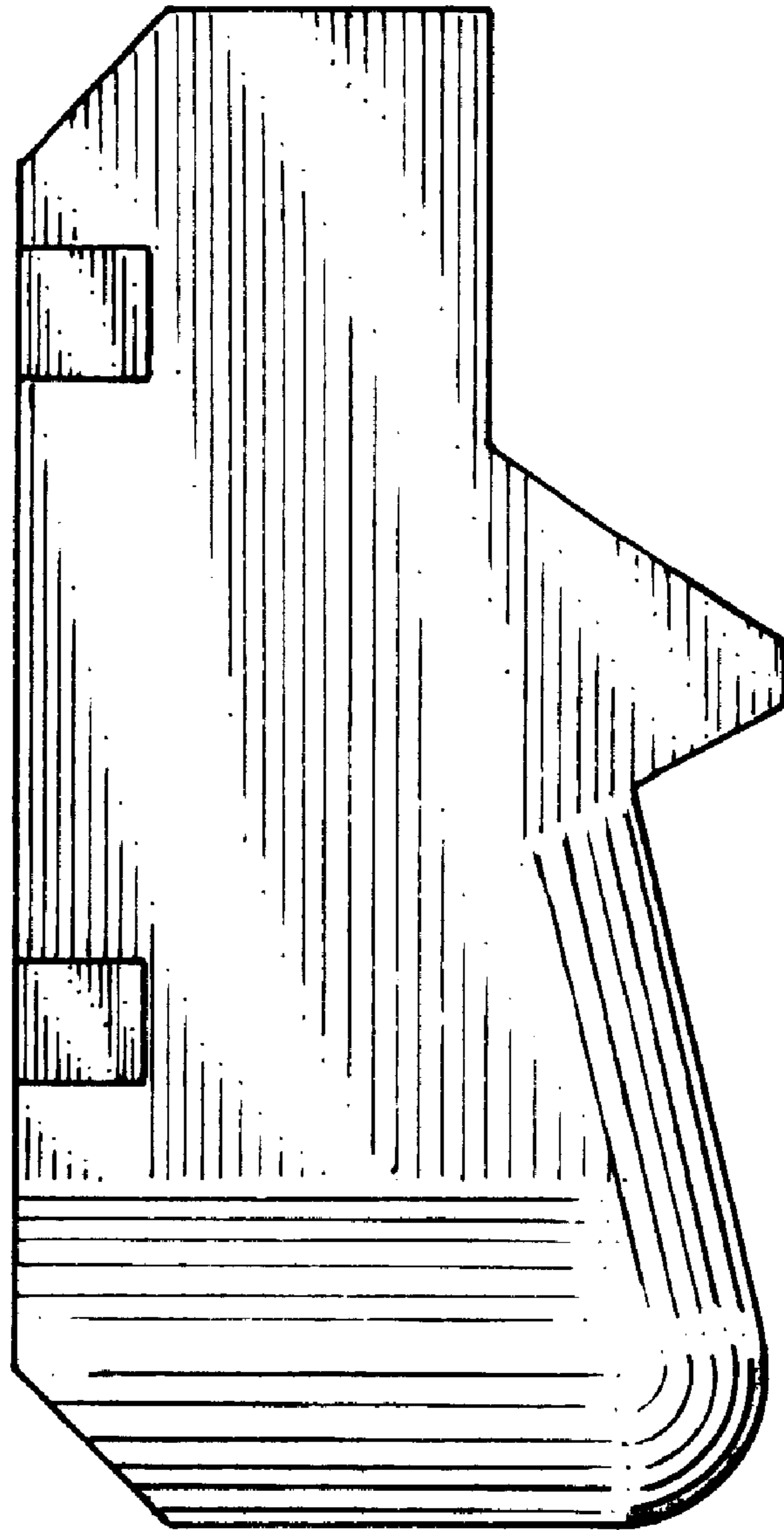


Figure 3

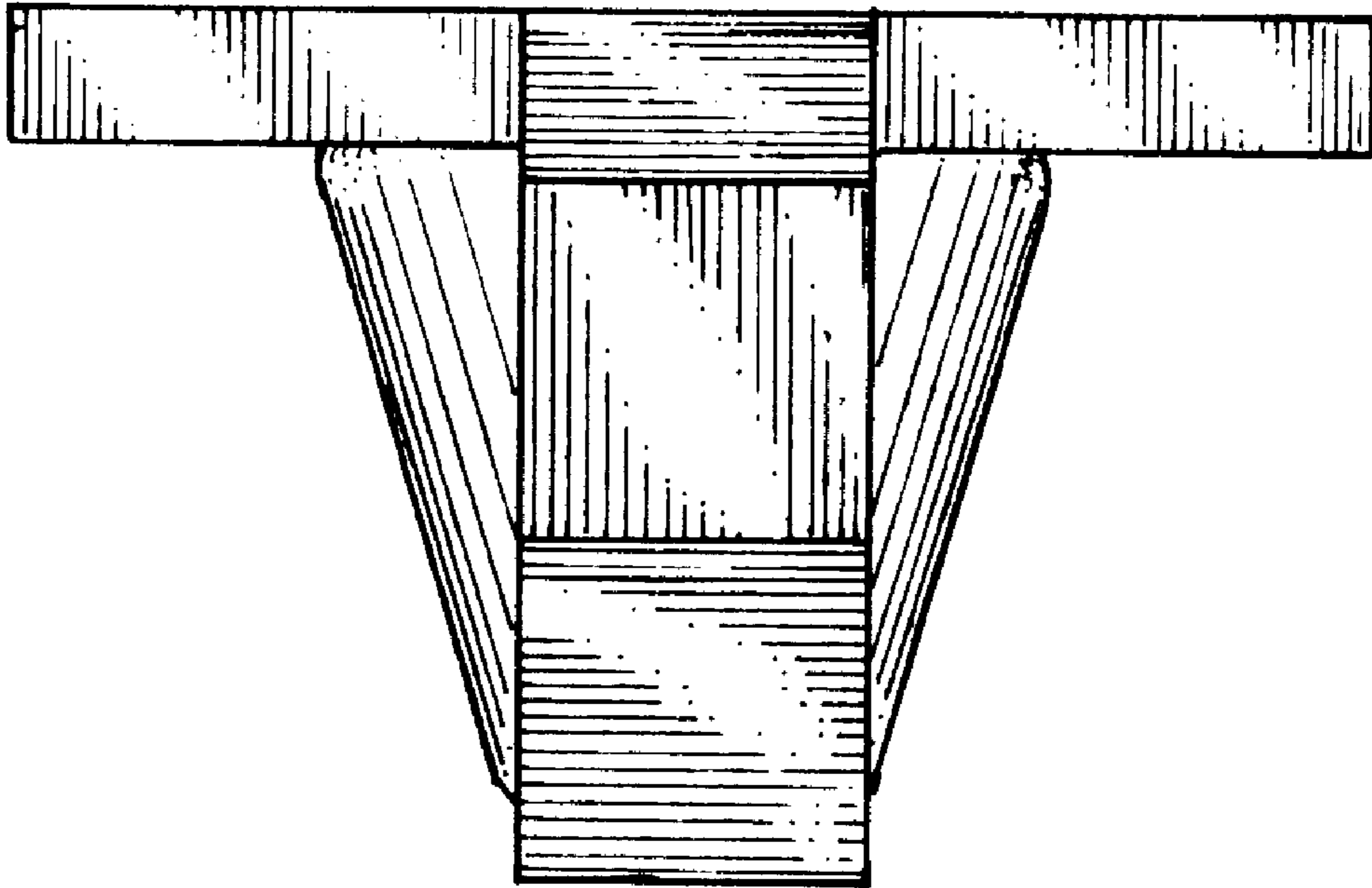


Figure 4

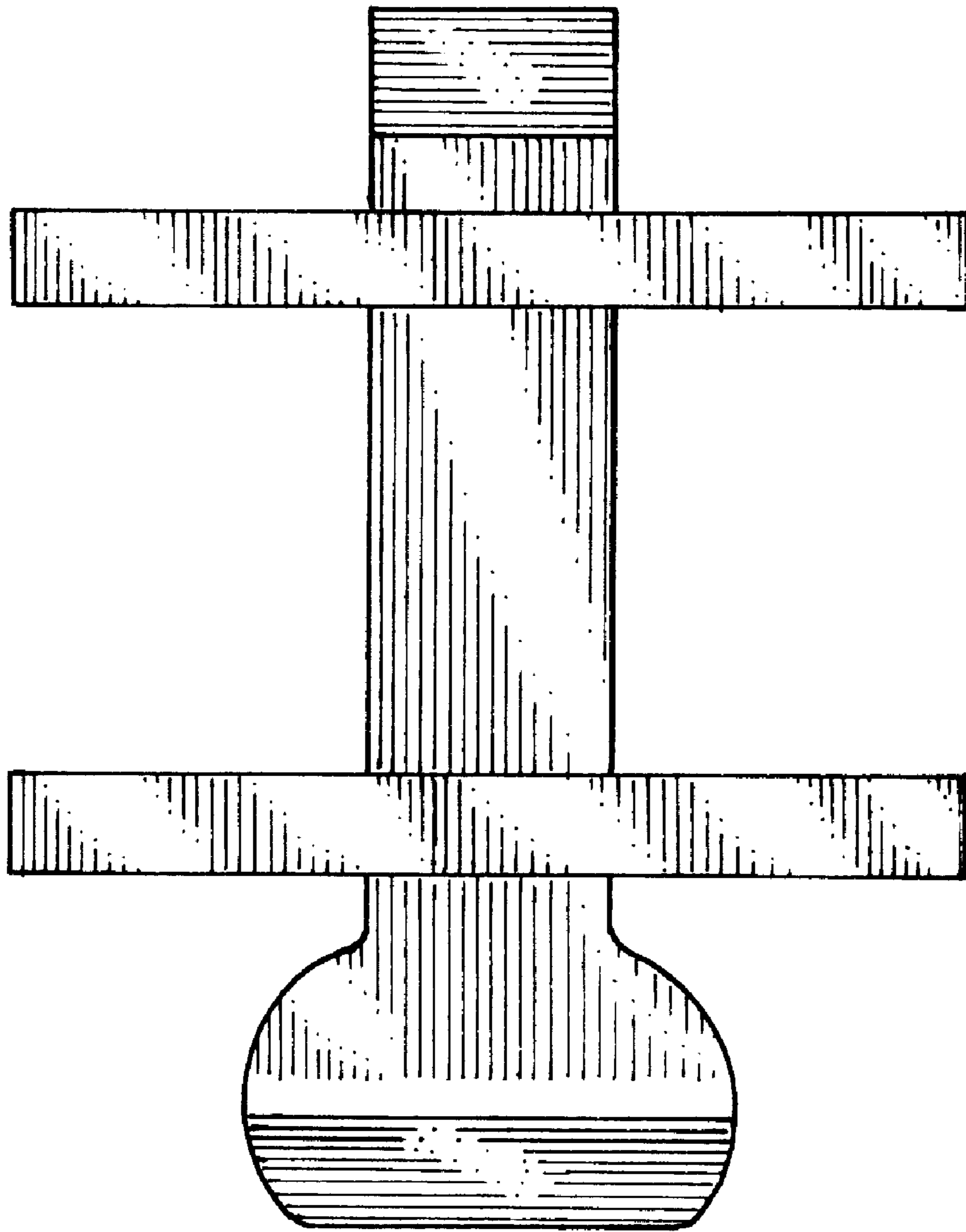


Figure 5

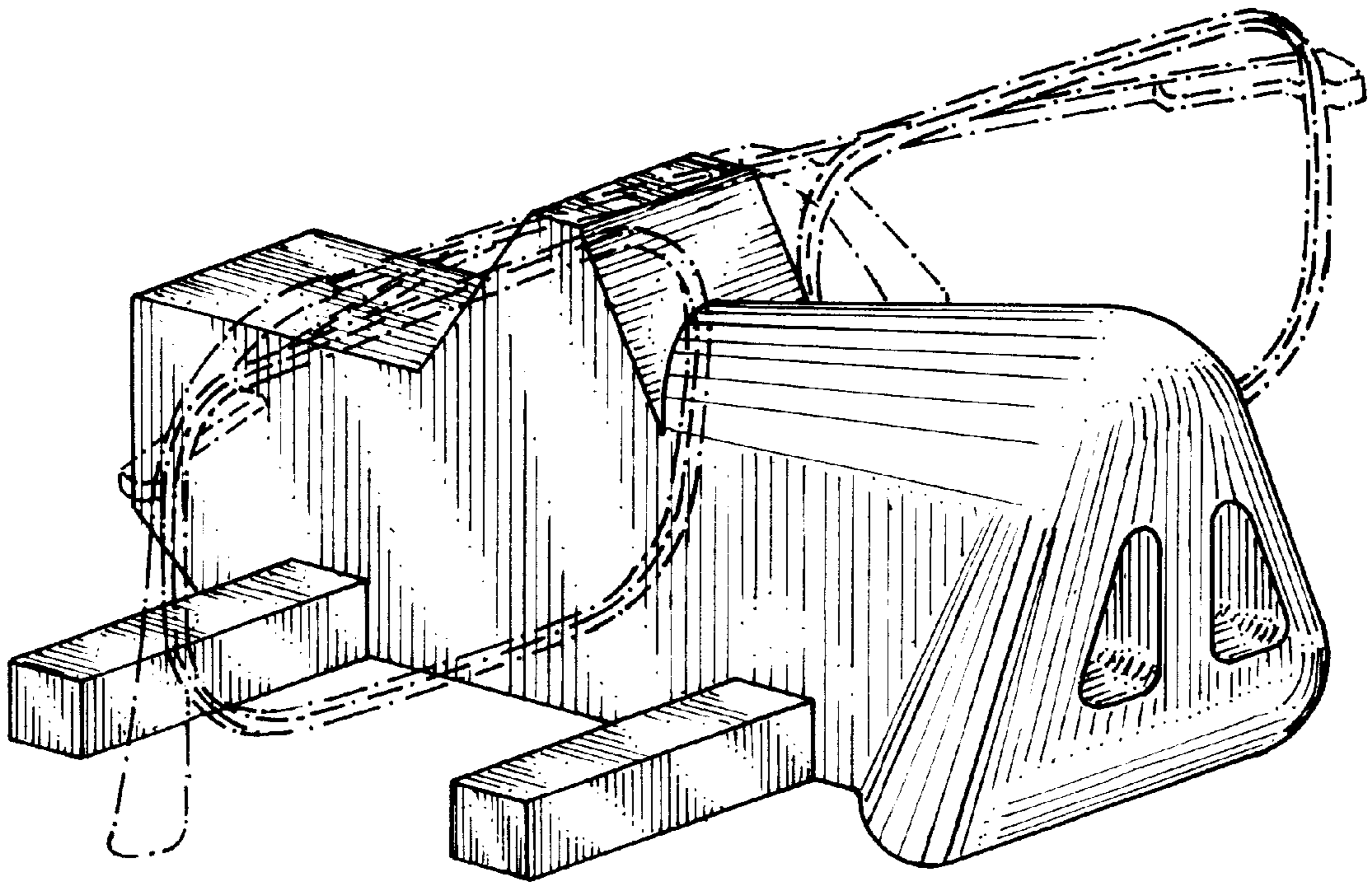


Figure 6