



US00D466288S

(12) **United States Design Patent**
Koo

(10) **Patent No.:** **US D466,288 S**

(45) **Date of Patent:** **** Dec. 3, 2002**

(54) **SPRING CLIP EYEGLASS HOLDER**

5,860,191 A * 1/1999 Sieger 24/3.3
5,864,924 A * 2/1999 Rodriguez 24/3.3

(76) Inventor: **Jason Koo**, 5545 N. Military Trail, Apt.
2302, Boca Raton, FL (US) 33496

* cited by examiner

(**) Term: **14 Years**

Primary Examiner—Louis S. Zarfaz
Assistant Examiner—Catherine R. Oliver
(74) *Attorney, Agent, or Firm*—John C Smith

(21) Appl. No.: **29/104,001**

(22) Filed: **Apr. 26, 1999**

(57) **CLAIM**

(51) **LOC (7) Cl.** **03-01**

The ornamental design for a spring clip eyeglass holder, as shown and described.

(52) **U.S. Cl.** **D3/219; D3/266**

DESCRIPTION

(58) **Field of Search** 224/250, 247;
D3/219, 215, 266; D12/191; 206/5, 5.1,
6; D8/367, 373, 382, 395; 248/309.1, 316.7,
902; 24/304, 455, 3.1, 3.3, 3.6; D11/215,
216, 217, 224, 41, 57

FIG. 1 is a top, front and right side perspective view of a spring clip eyeglass holder showing my new design; FIG. 2 is a right side elevational view thereof; FIG. 3 is a left side elevational view thereof; FIG. 4 is a front elevational view; FIG. 5 is a rear elevational view thereof; FIG. 6 is a top plan view thereof; and, FIG. 7 is a bottom plan view thereof.

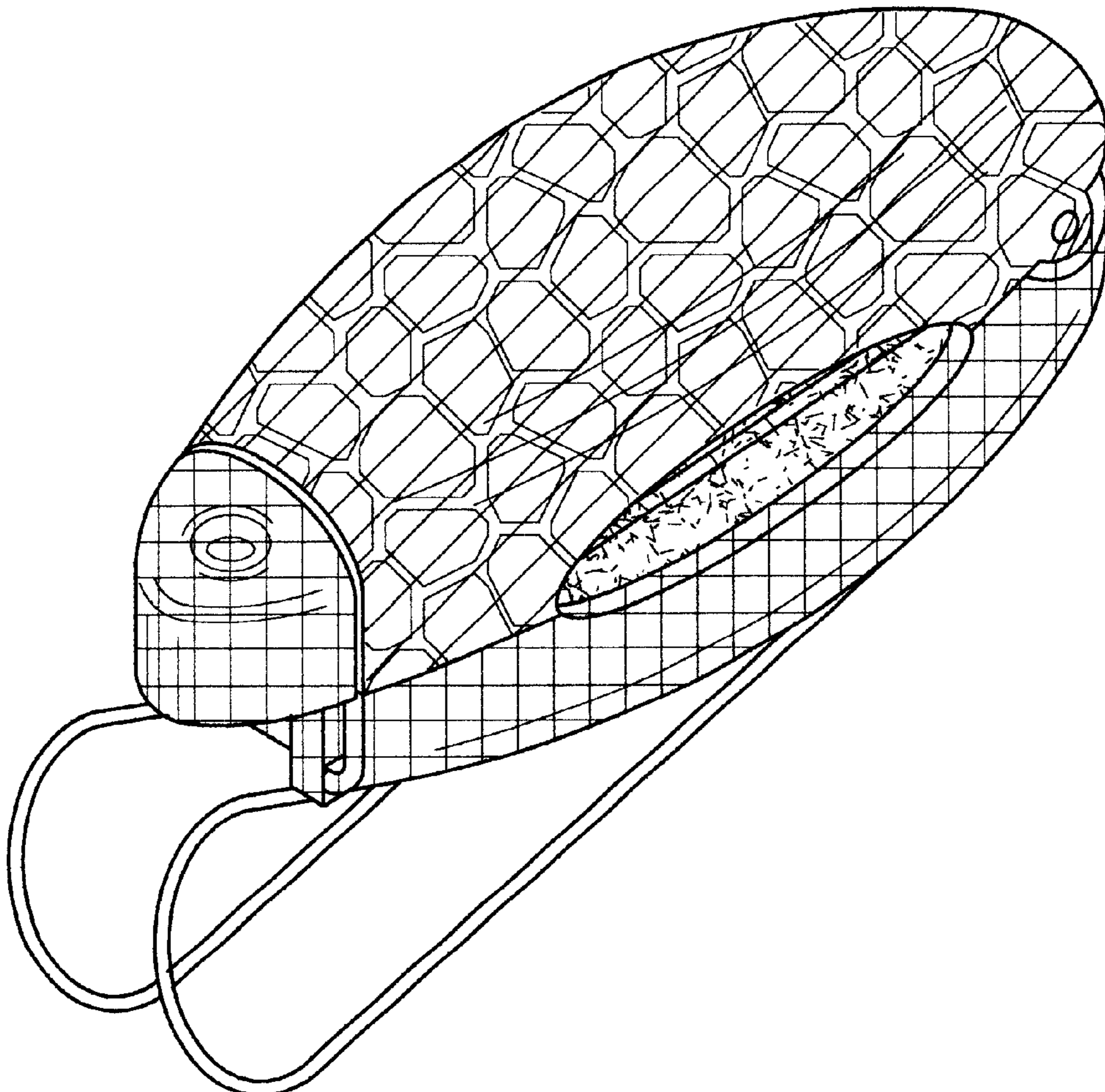
(56) **References Cited**

U.S. PATENT DOCUMENTS

5,351,098 A * 9/1994 McDaniels et al. 24/3.3
5,619,774 A * 4/1997 Perry 24/3.6
5,842,613 A * 12/1998 White 224/250

The drawing is lined for color.

1 Claim, 2 Drawing Sheets



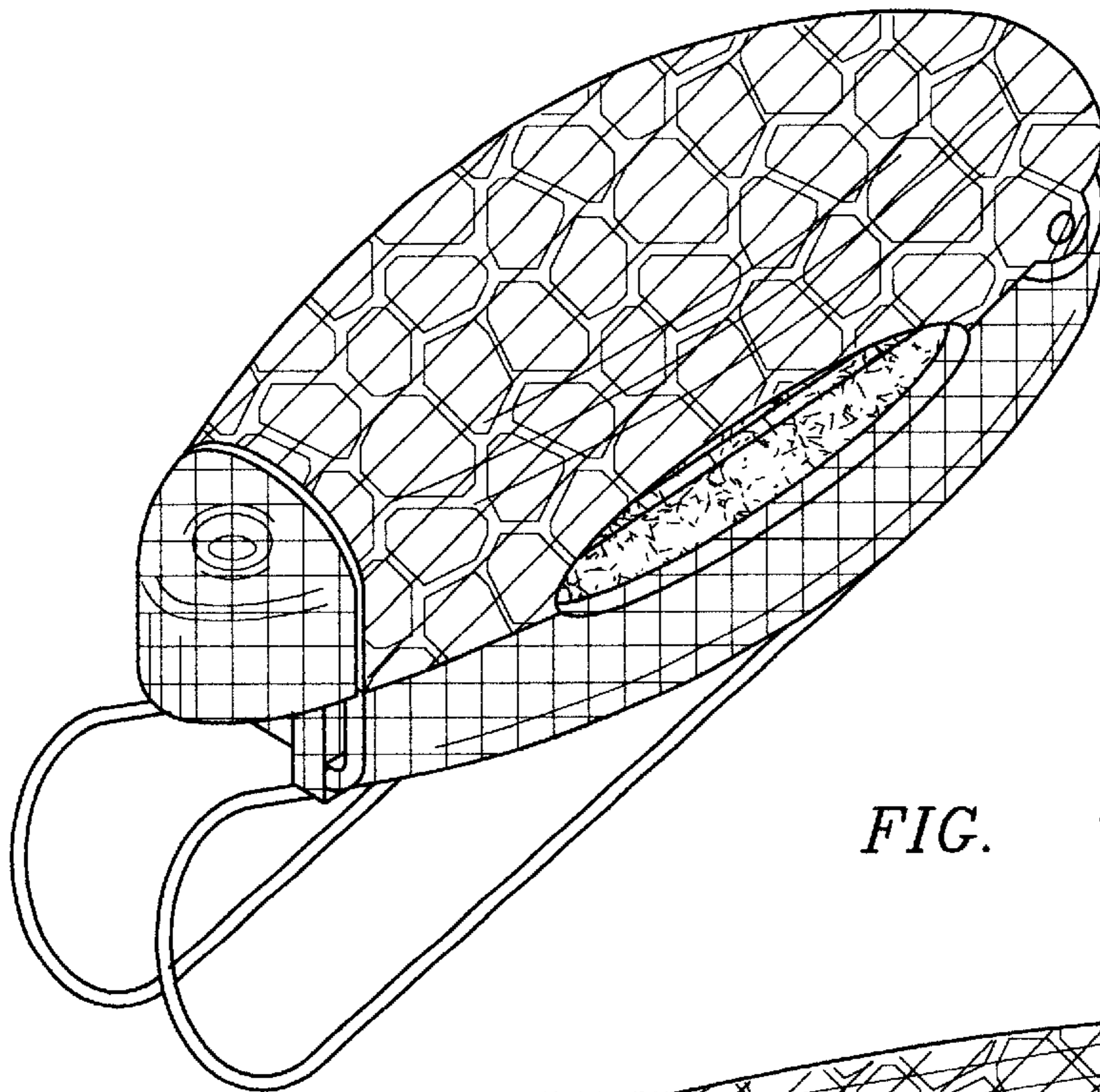


FIG. 1

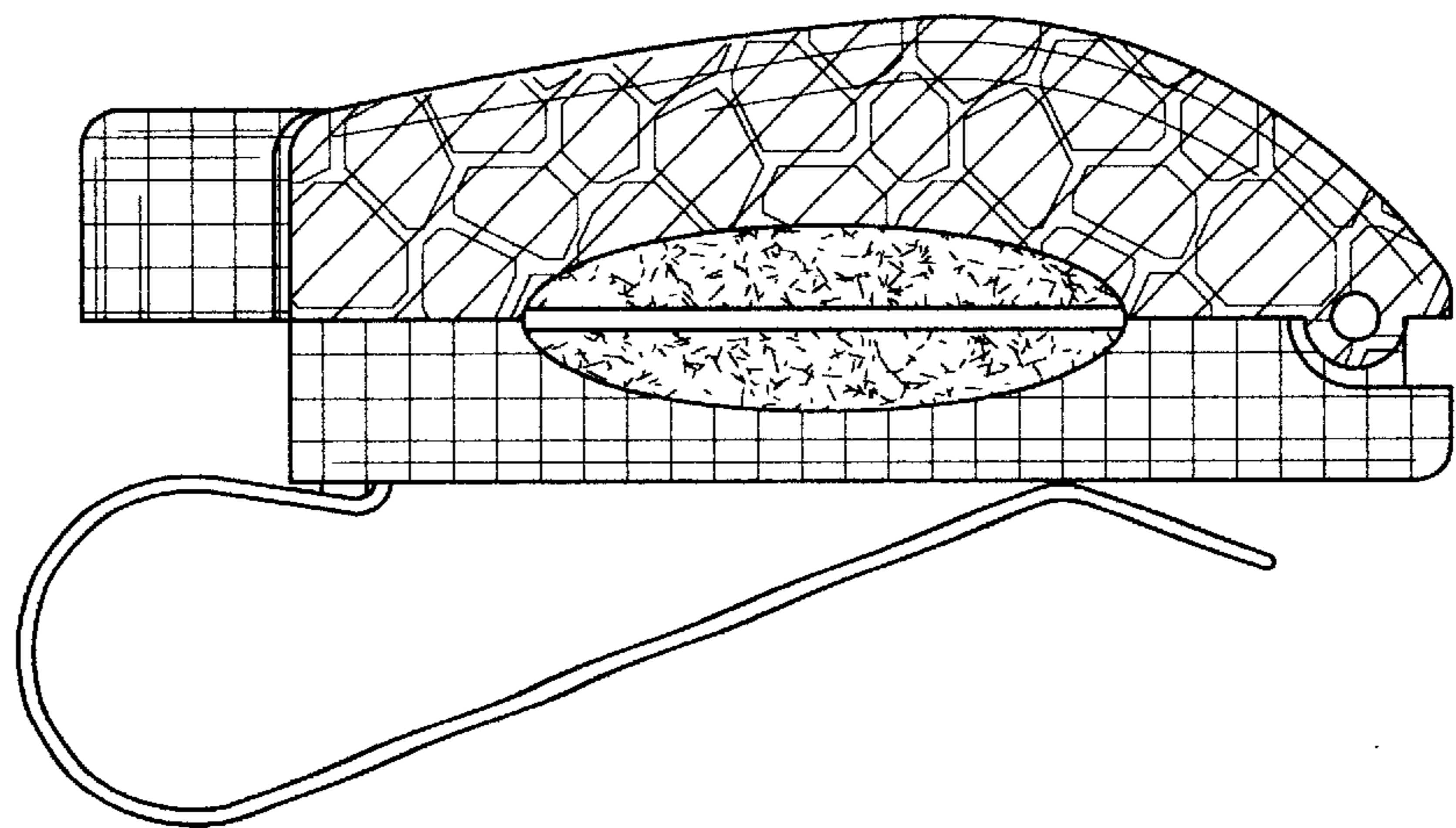


FIG. 2

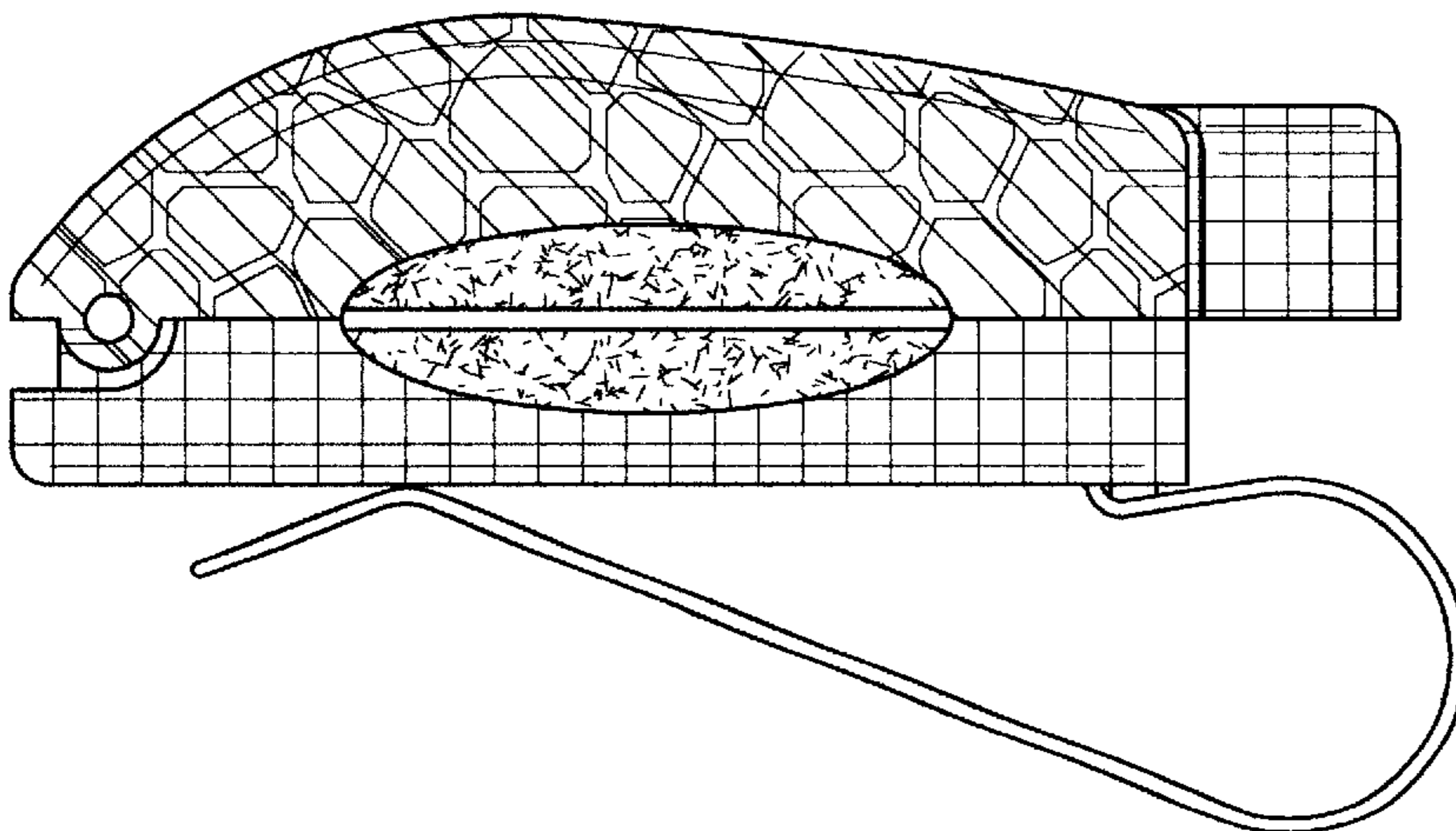


FIG. 3

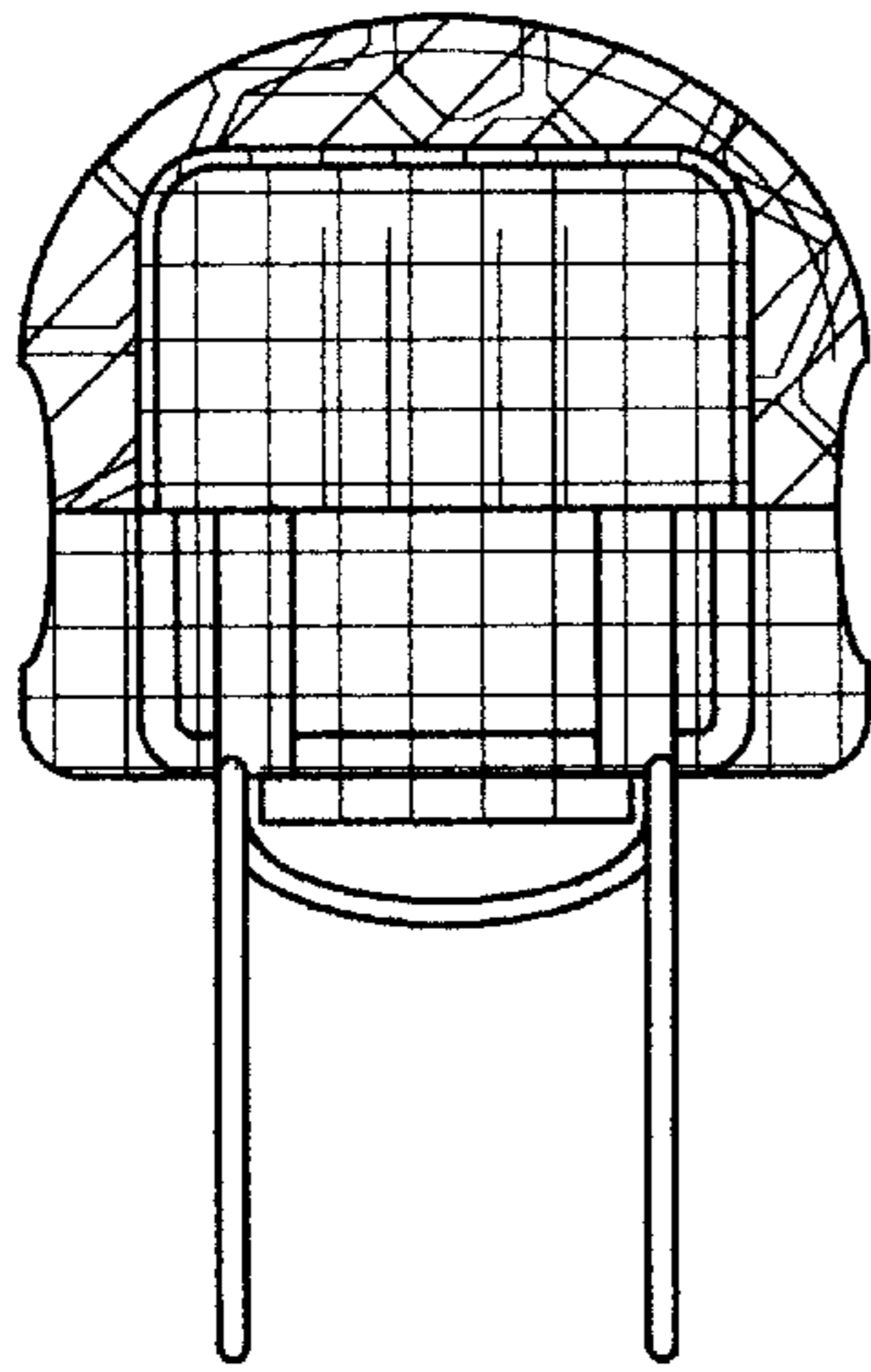


FIG. 4

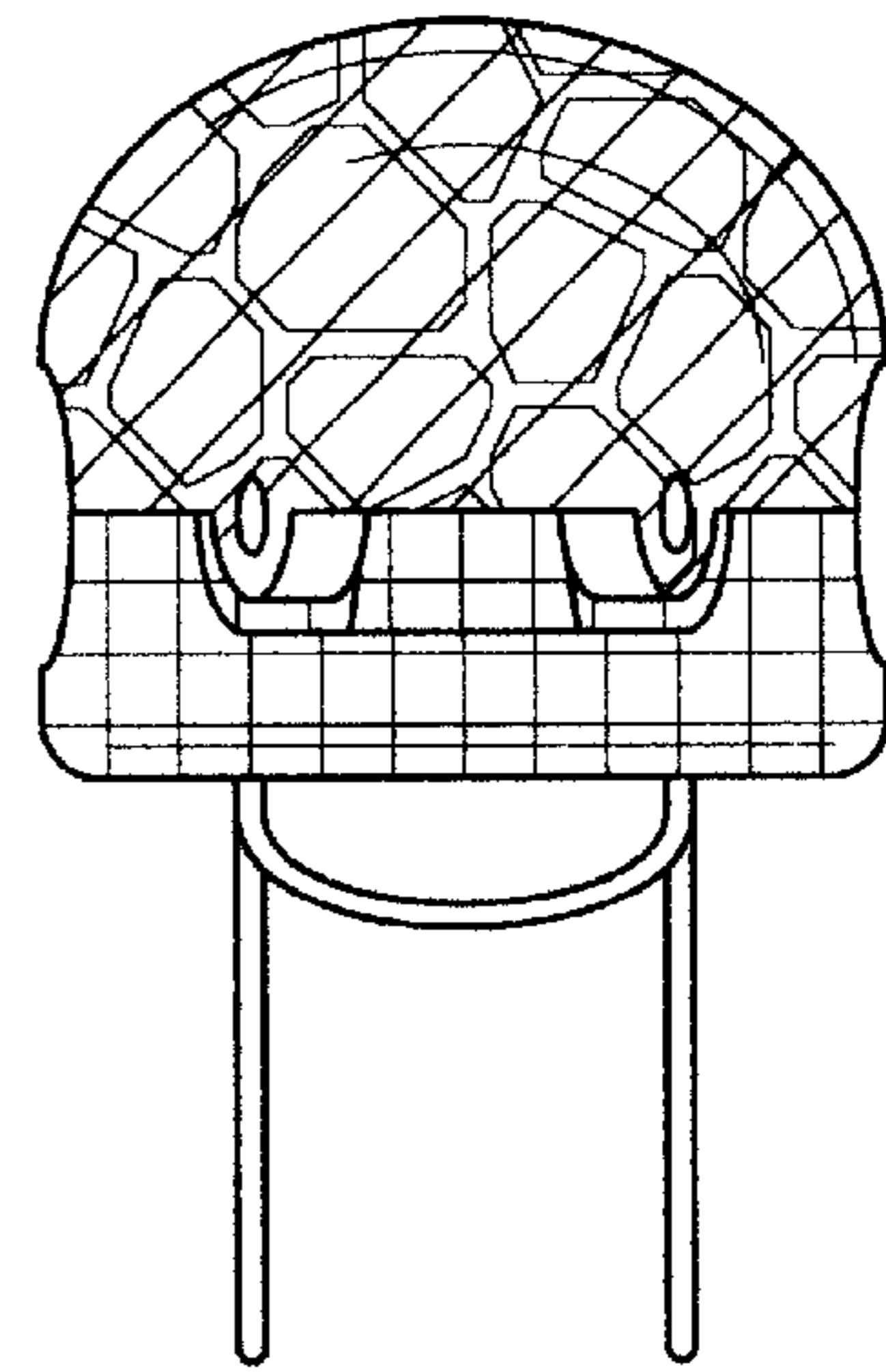


FIG. 5

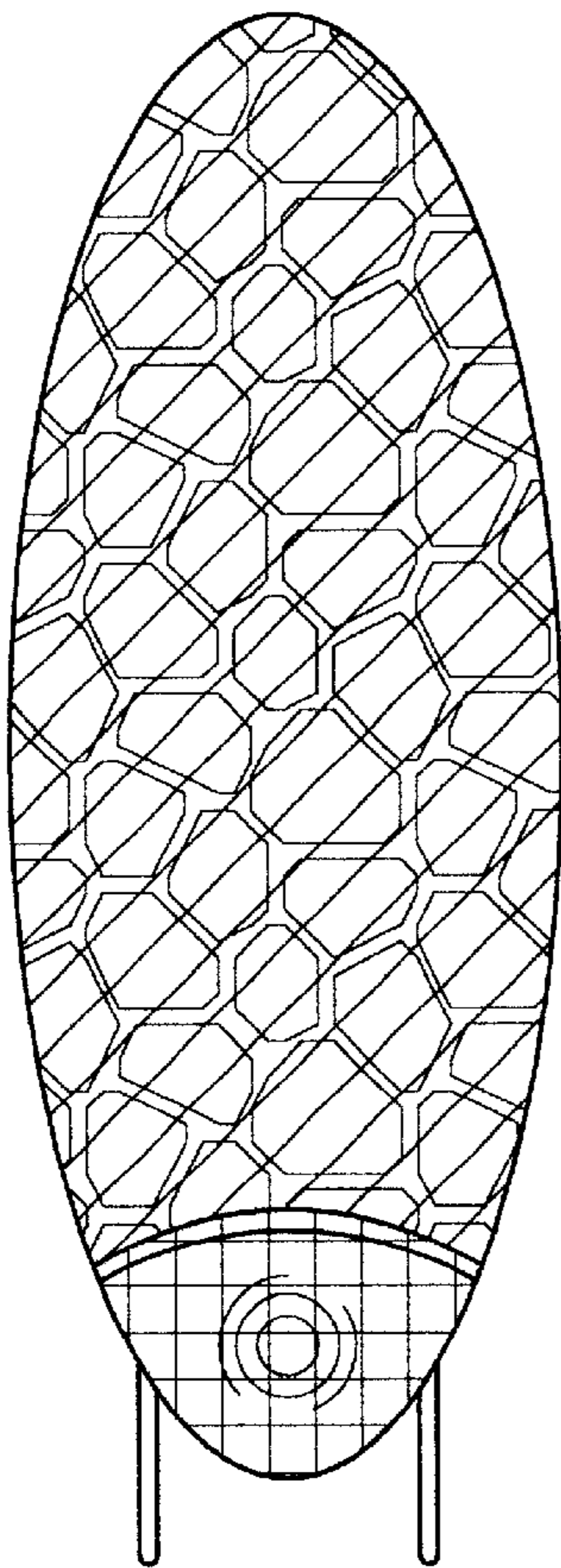


FIG. 6

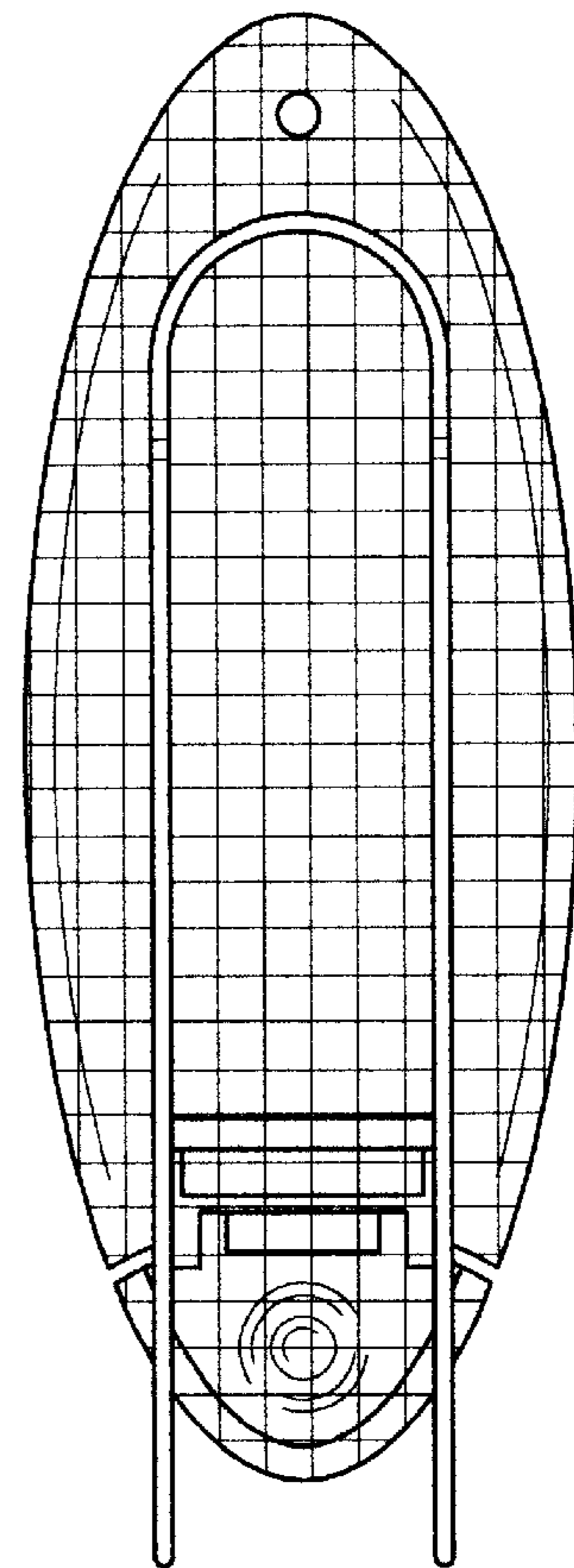


FIG. 7