



US00D466280S

(12) **United States Design Patent**
Ko

(10) **Patent No.:** **US D466,280 S**

(45) **Date of Patent:** **** Dec. 3, 2002**

(54) **UMBRELLA SHAFT WITH FIVE TELESCOPIC SEGMENTS**

6,338,353 B1 * 1/2002 Chen 135/20.3

* cited by examiner

(76) **Inventor:** **Chin Sung Ko**, No. 38, Din Nan Road, Homei Cheng, Changhua Shien (TW)

Primary Examiner—Louis S. Zarfes

Assistant Examiner—Robert A. Delehanty

(**) **Term:** **14 Years**

(74) *Attorney, Agent, or Firm*—Rosenberg, Klein & Lee

(21) **Appl. No.:** **29/156,166**

(57) **CLAIM**

(22) **Filed:** **Feb. 26, 2002**

The ornamental design for an umbrella shaft with five telescopic segments, as shown and described.

(51) **LOC (7) Cl.** **03-03**

DESCRIPTION

(52) **U.S. Cl.** **D3/3**

FIG. 1 is a perspective view of an umbrella shaft with five telescopic segments showing my new design;

(58) **Field of Search** D3/5-6, 10-14, D3/16-17; 135/98, 16, 19.5, 20.1, 22-48, 910; 362/102; 297/184.16

FIG. 2 is a top plan view thereof;

FIG. 3 is a bottom plan view thereof;

FIG. 4 is a front plan view thereof;

FIG. 5 is a rear plan view thereof;

FIG. 6 is a left side plan view thereof;

FIG. 7 is a right side plan view thereof; and,

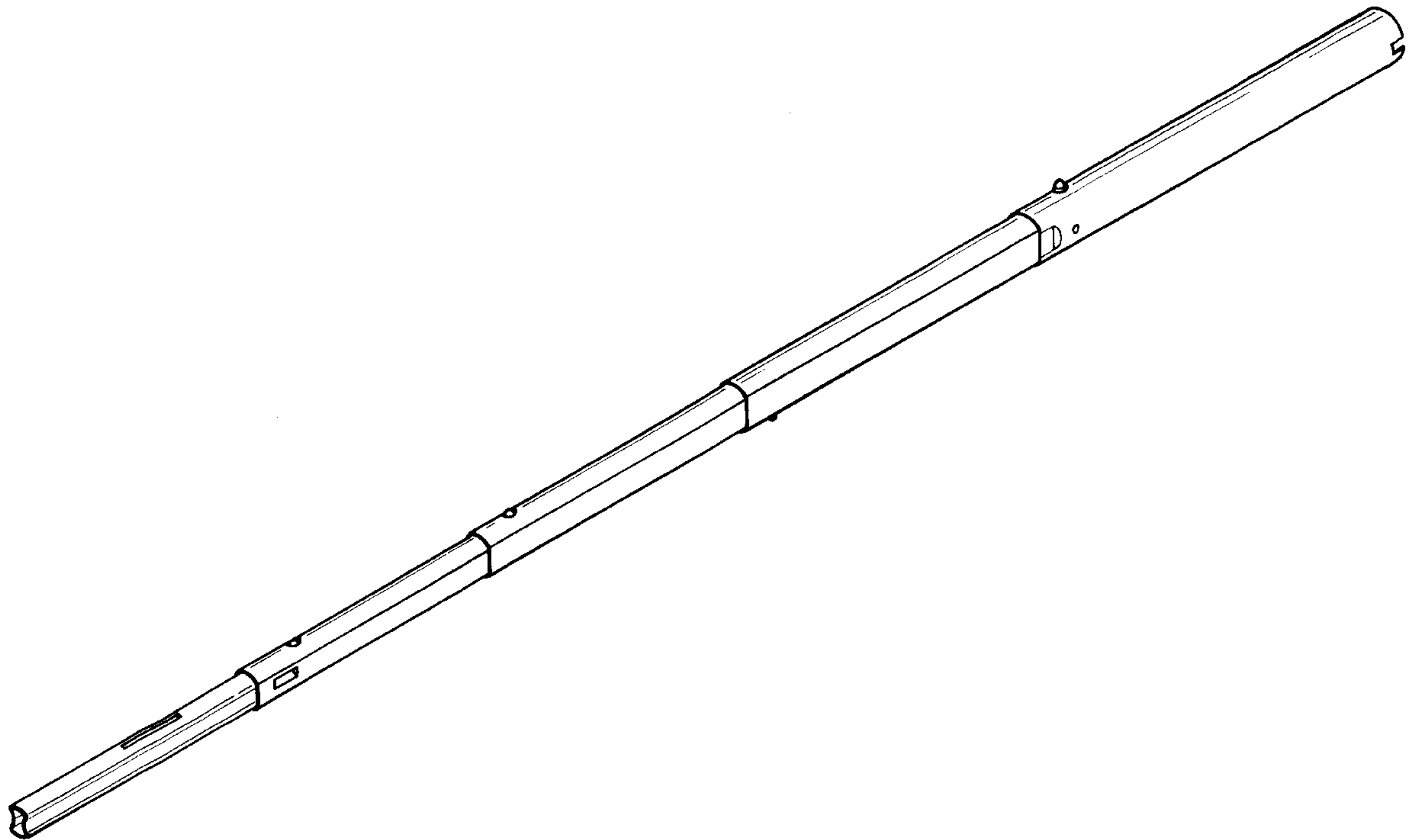
FIG. 8 is an exploded view of the five segments as viewed from the side.

(56) **References Cited**

U.S. PATENT DOCUMENTS

- 209,772 A * 11/1878 Nisbet et al. 135/98 X
- 5,493,480 A * 2/1996 Huang 362/102
- D408,621 S * 4/1999 Kuo D3/10
- 6,112,755 A * 9/2000 Lin et al. 135/24

1 Claim, 4 Drawing Sheets



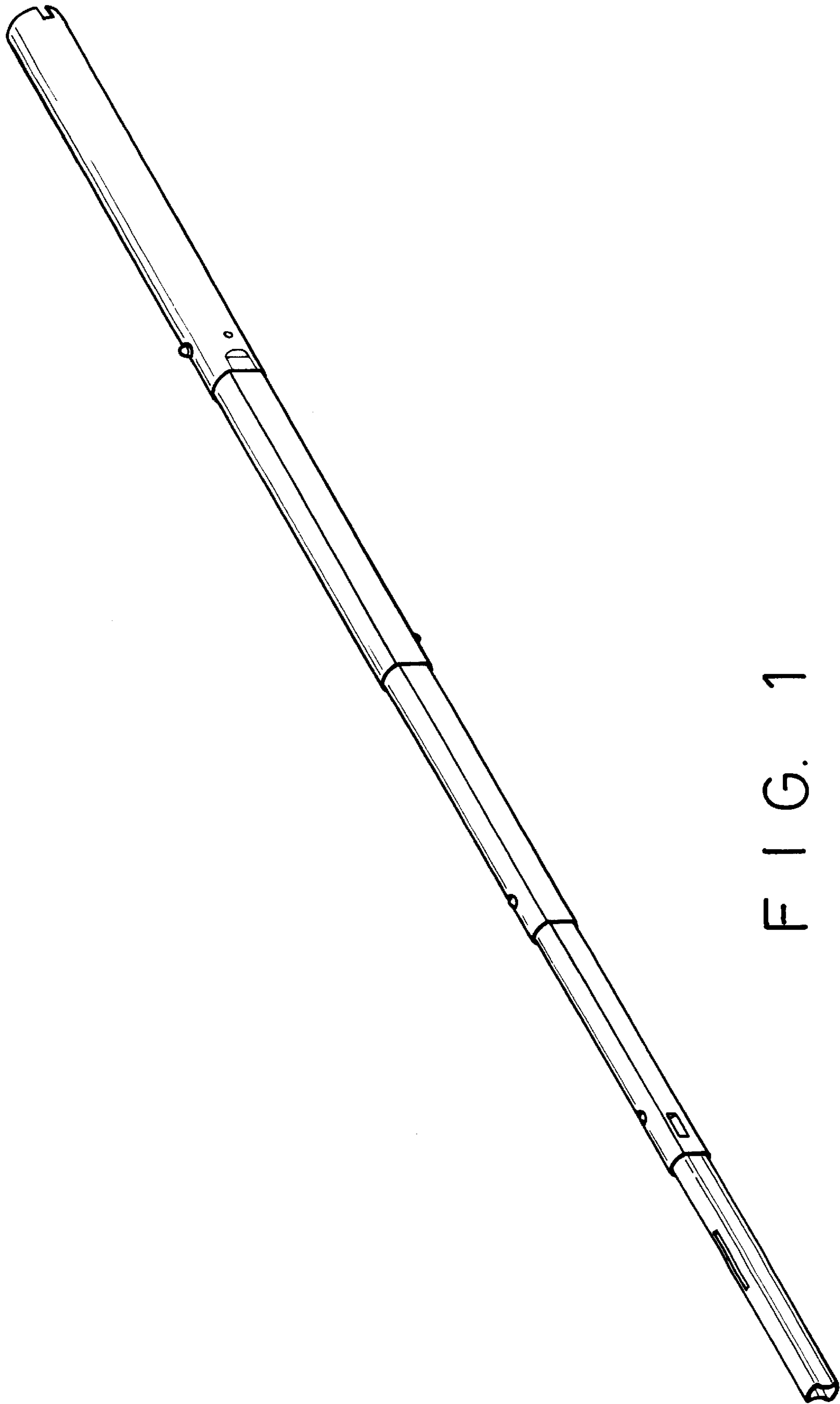


FIG. 1



FIG. 2



FIG. 3

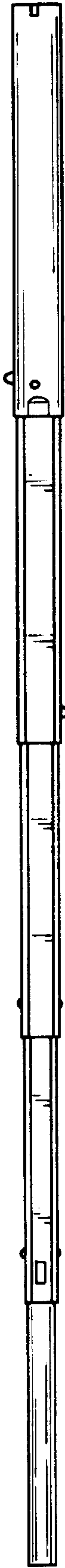


FIG. 4



FIG. 5

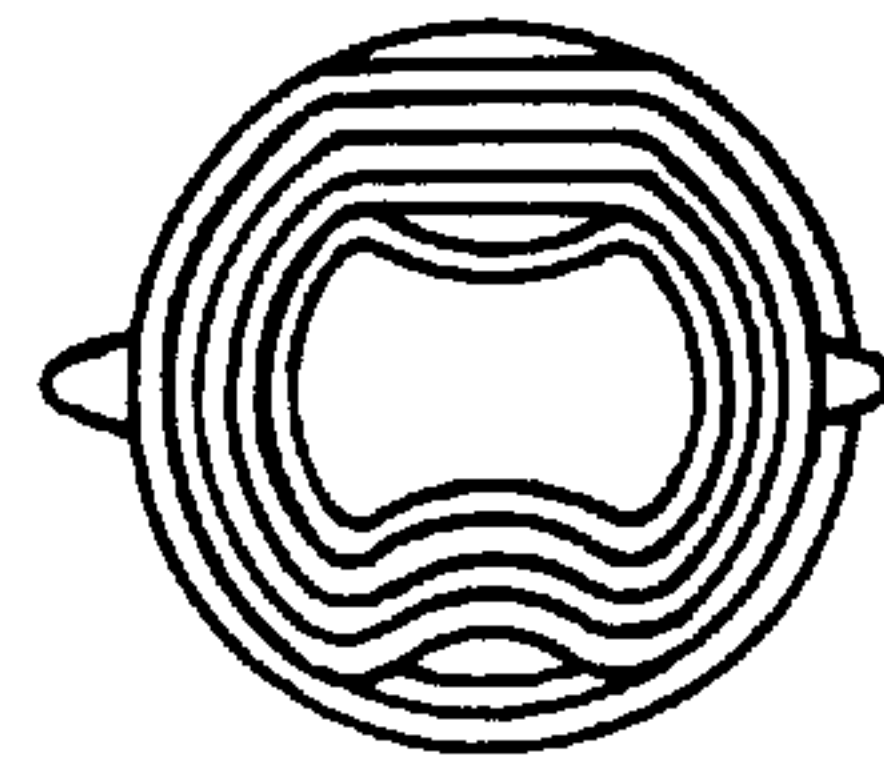


FIG. 6

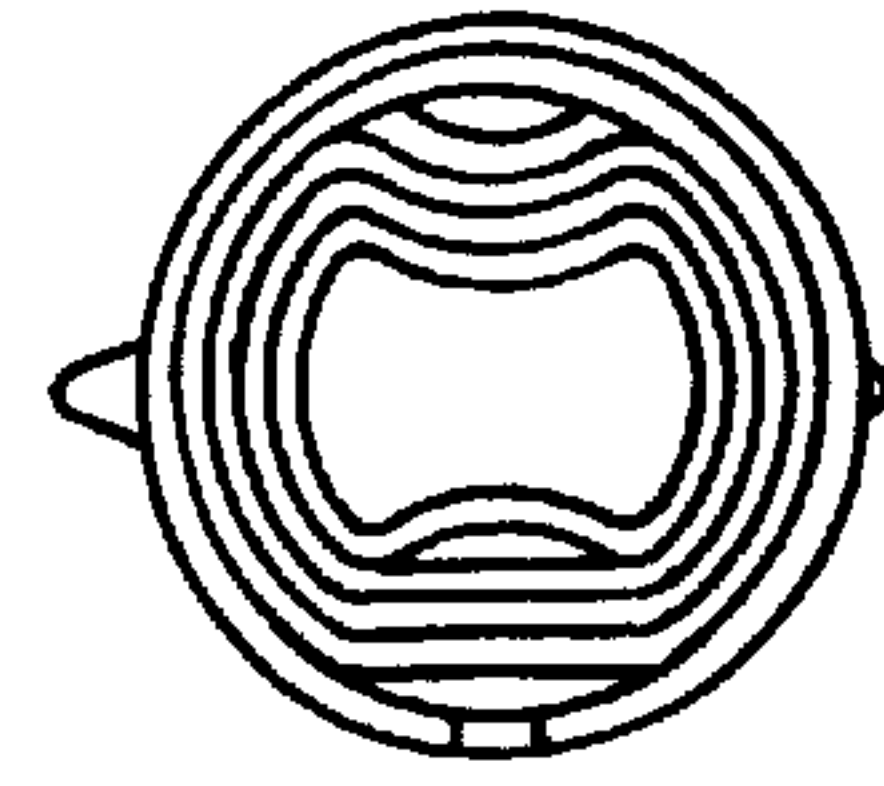


FIG. 7

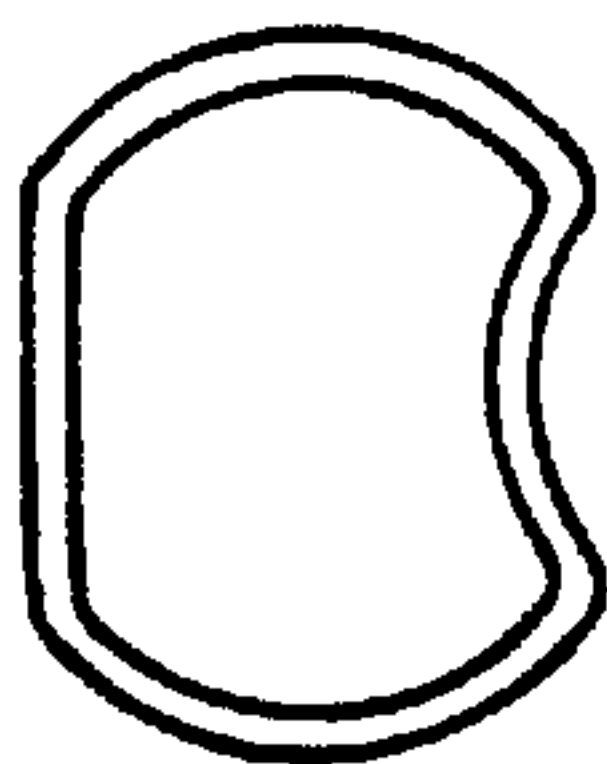
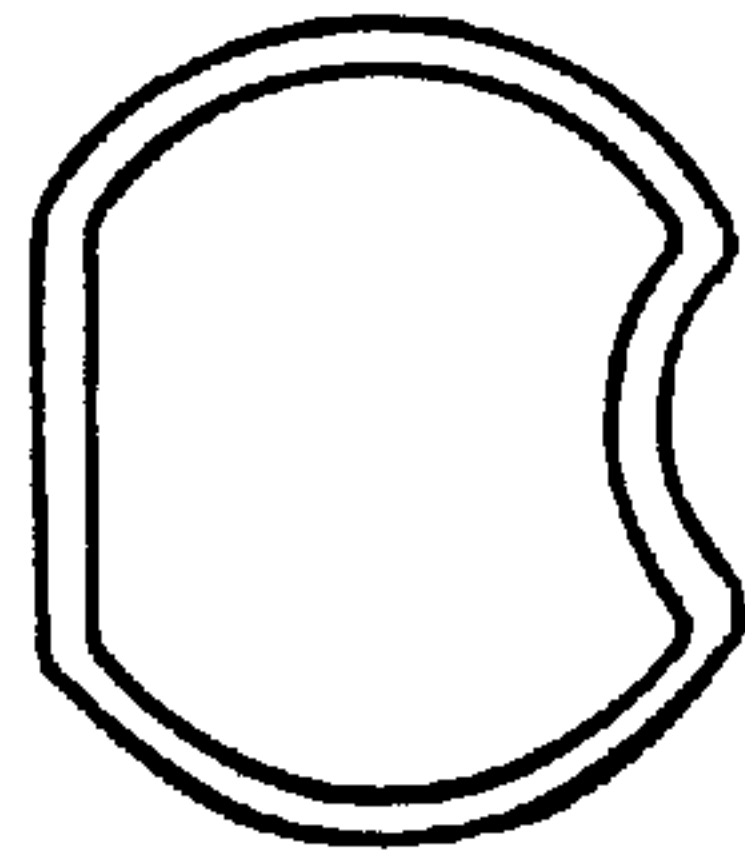
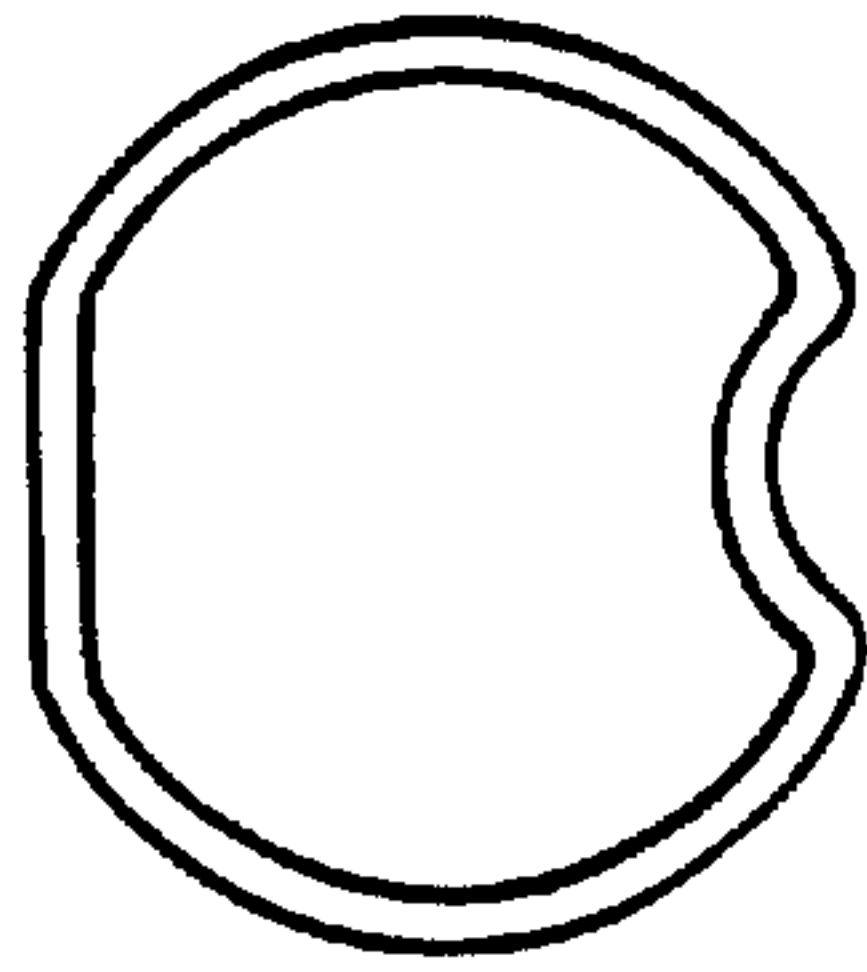
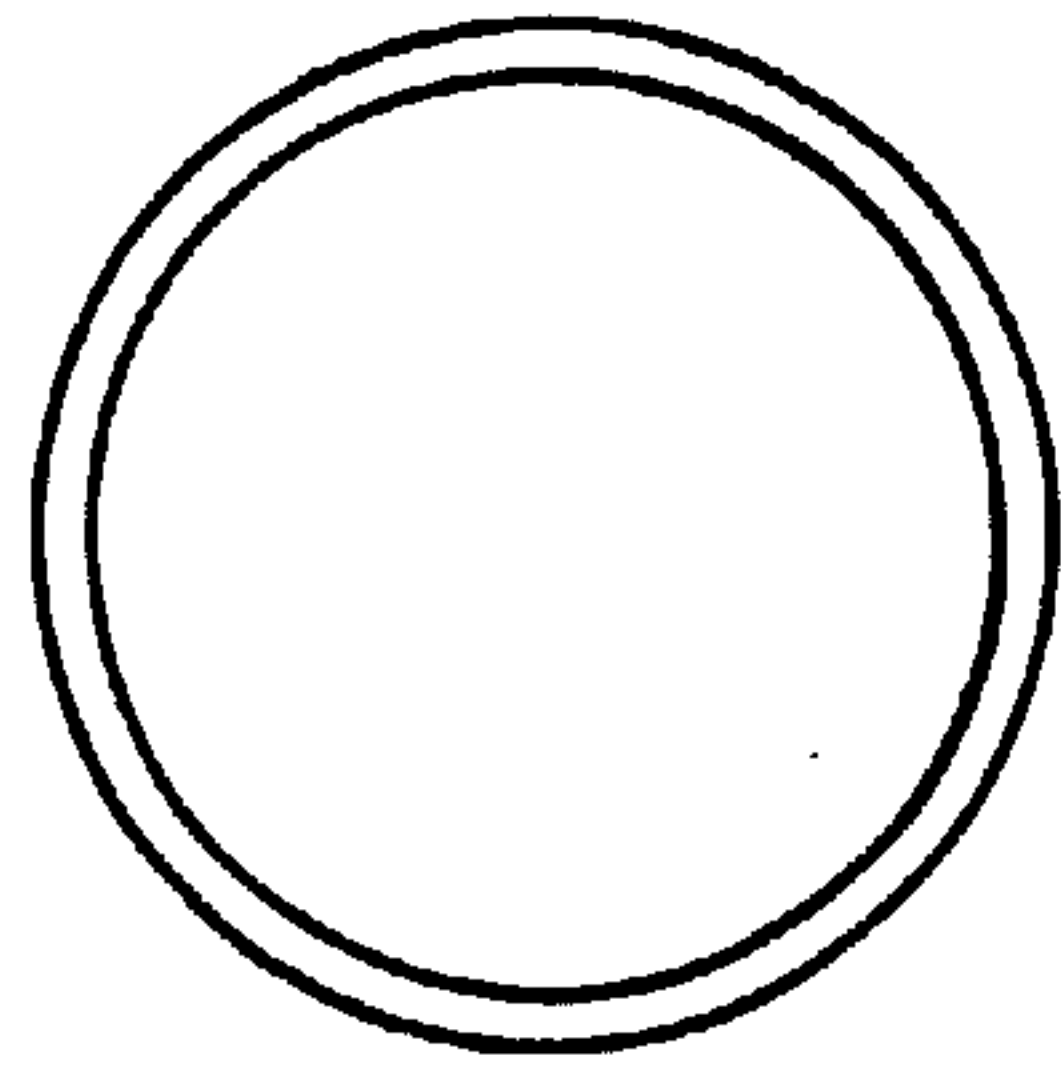


FIG. 8