



US00D466276S

(12) **United States Design Patent**
Tomczak

(10) **Patent No.:** **US D466,276 S**

(45) **Date of Patent:** **** Dec. 3, 2002**

(54) **SHOE HEEL**

(75) **Inventor:** **Klaus Peter Tomczak, Uttenreuth (DE)**

(73) **Assignee:** **adidas International B.V., Amsterdam (NL)**

(**) **Term:** **14 Years**

(21) **Appl. No.:** **29/150,880**

(22) **Filed:** **Nov. 30, 2001**

(30) **Foreign Application Priority Data**

Jun. 25, 2001 (DE) 401 05 887

(51) **LOC (7) Cl. 02-99**

(52) **U.S. Cl. D2/964**

(58) **Field of Search** D2/907, 964, 972,
D2/947; 36/34 R, 35 R, 35 B

(56) **References Cited**

U.S. PATENT DOCUMENTS

| | | | |
|------------|----------|----------------------|--------|
| D262,751 S | 1/1982 | Anderie | |
| D283,366 S | 4/1986 | Chassing | |
| D283,463 S | 4/1986 | Chassing | |
| D318,563 S | * 7/1991 | Lucas et al. | D2/972 |
| D329,126 S | * 9/1992 | Hatfield | D2/972 |
| D348,764 S | * 7/1994 | Teague | D2/969 |
| D374,117 S | 10/1996 | Fumy et al. | D2/956 |
| D380,889 S | 7/1997 | Earle | D2/957 |
| D389,993 S | 2/1998 | Ryan | D2/953 |
| D393,341 S | 4/1998 | Marshall et al. | D2/951 |
| D394,343 S | 5/1998 | Marshall et al. | D2/960 |
| D394,742 S | 6/1998 | Gaudio | D2/969 |
| D394,946 S | 6/1998 | Gaudio | D2/960 |
| D397,841 S | 9/1998 | Munns | D2/902 |
| D401,747 S | 12/1998 | Cessor | D2/960 |

| | | | |
|------------|----------|--------------------|--------|
| D404,896 S | * 2/1999 | Cooper | D2/947 |
| D407,892 S | 4/1999 | Gaudio | D2/960 |
| D418,668 S | * 1/2000 | Von Conta | D2/969 |
| D432,762 S | 10/2000 | Weege | D2/953 |
| D441,175 S | * 5/2001 | Ritter et al. | D2/908 |
| D441,181 S | * 5/2001 | Morgan | D2/972 |

OTHER PUBLICATIONS

Nike Holiday 1999 Footwear Catalog; p. M32 Zoom HJ (Bottom).*

* cited by examiner

Primary Examiner—Dominic Simone

(74) *Attorney, Agent, or Firm*—Testa, Hurwitz & Thibault, LLP

(57) **CLAIM**

The ornamental design for a shoe heel, as shown and described.

DESCRIPTION

FIG. 1 is a medial perspective view of the shoe heel. The shoe portions shown in broken lines are not part of the design sought to be patented and are shown for illustrative purposes only;

FIG. 2 is a bottom perspective view of the shoe heel;

FIG. 3 is an upper perspective view of the shoe heel;

FIG. 4 is a rear view of the shoe heel;

FIG. 5 is a rear perspective view of the shoe heel;

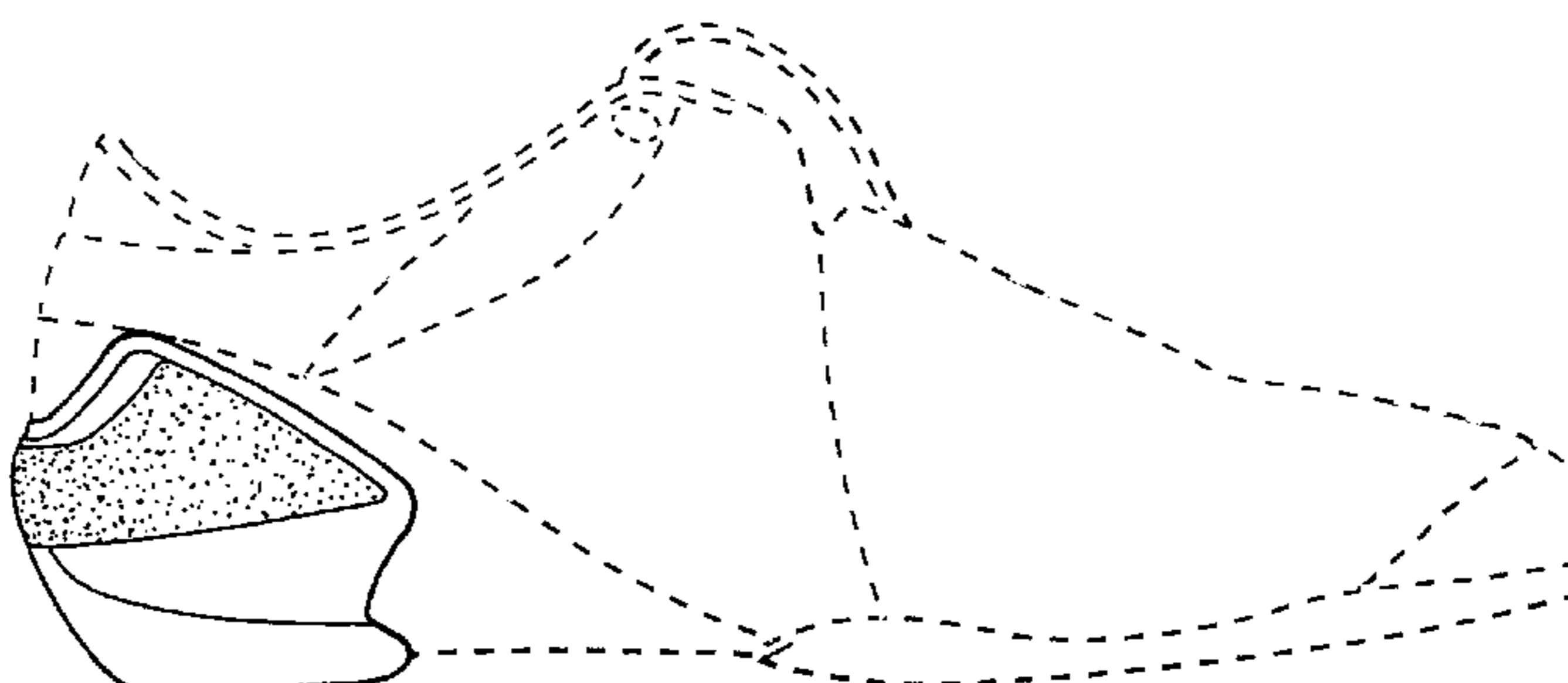
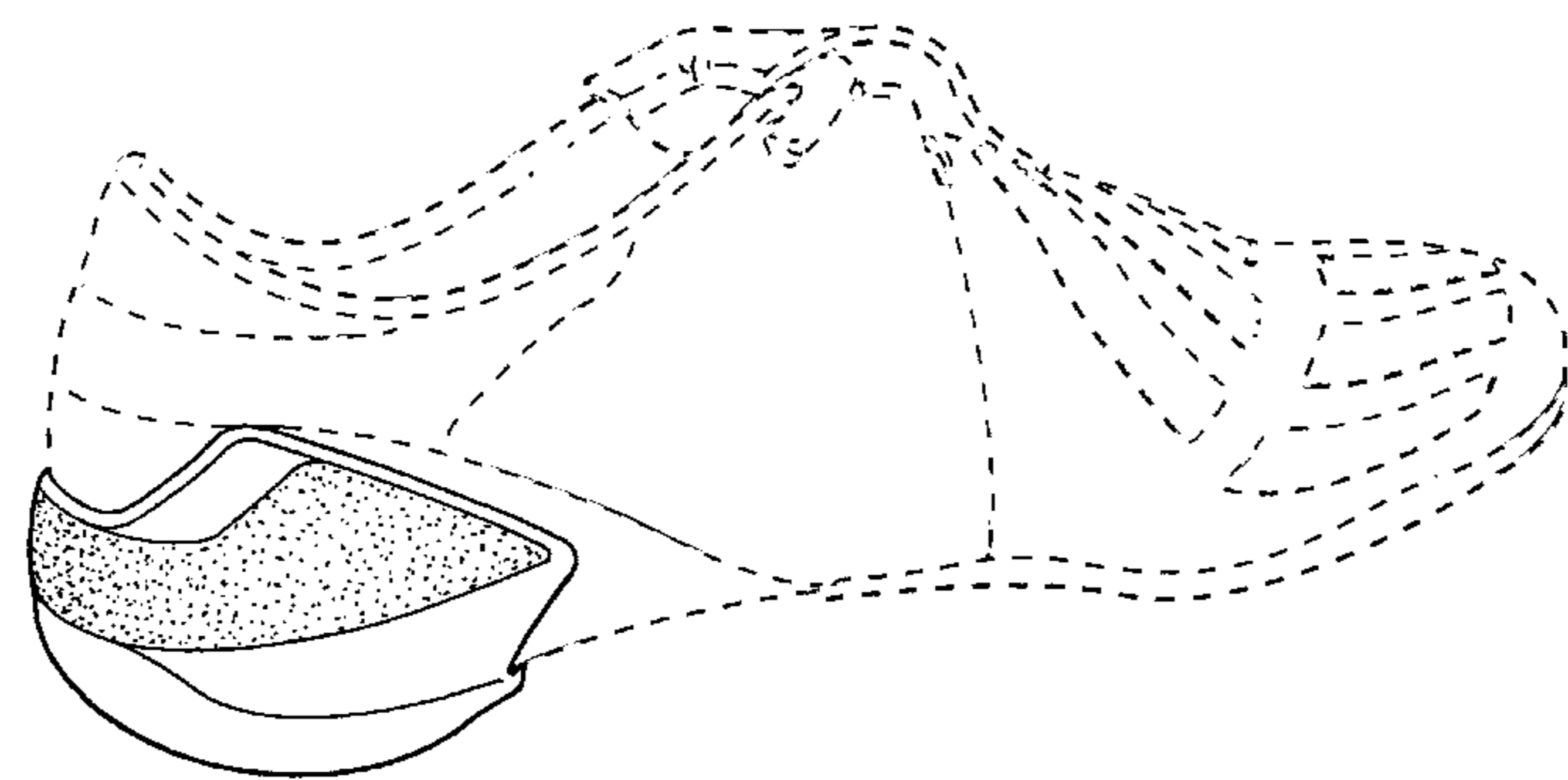
FIG. 6 is a medial side elevation view of the shoe heel;

FIG. 7 is a lateral side elevation view of the shoe heel; and,

FIG. 8 is a bottom view of the shoe heel.

The shoe heel is shown in FIGS. 1–8. The shoe heel is for a left shoe. The right shoe heel is not shown, but is the mirror image of the left shoe heel.

1 Claim, 8 Drawing Sheets



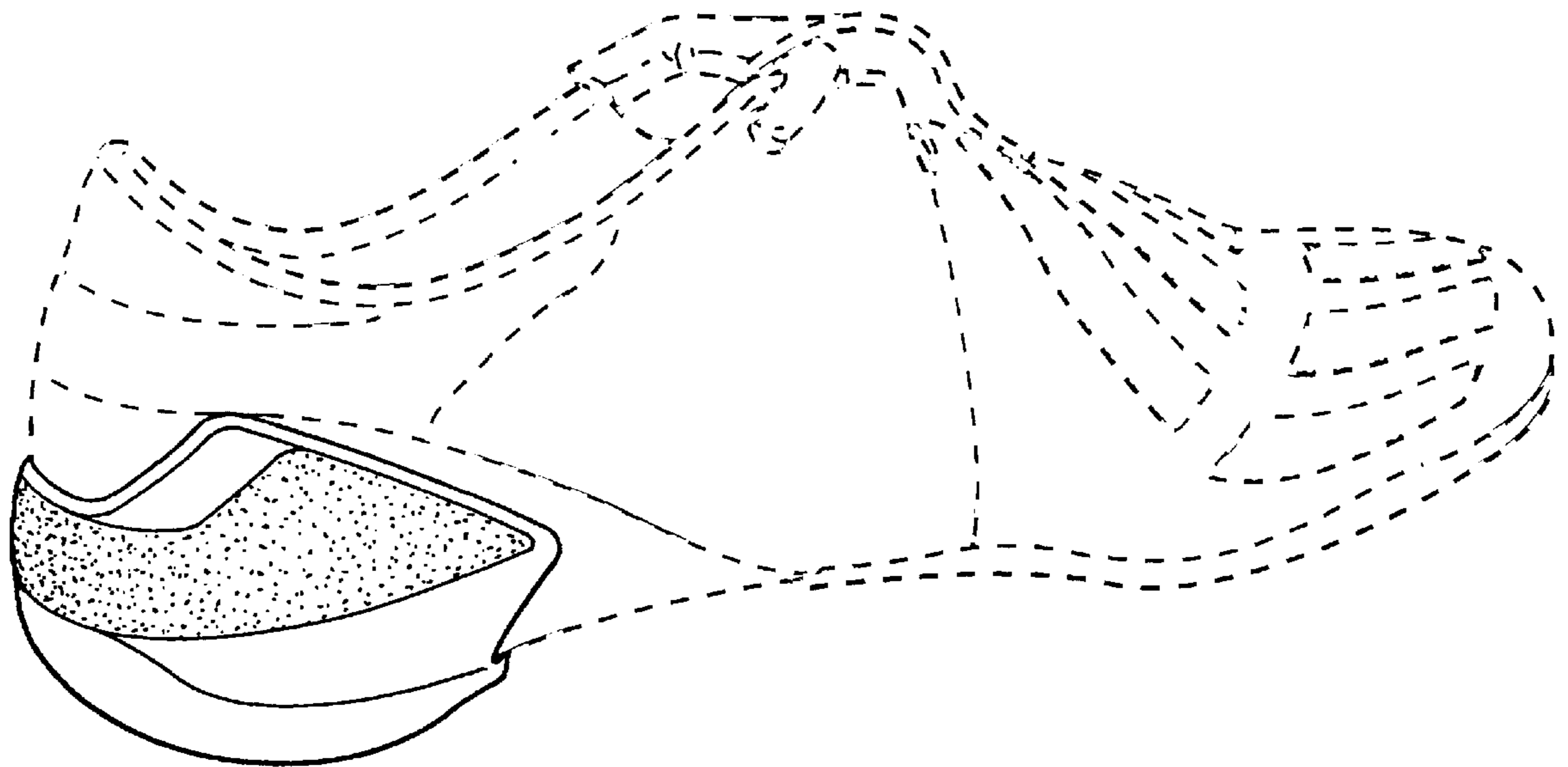


FIG. 1

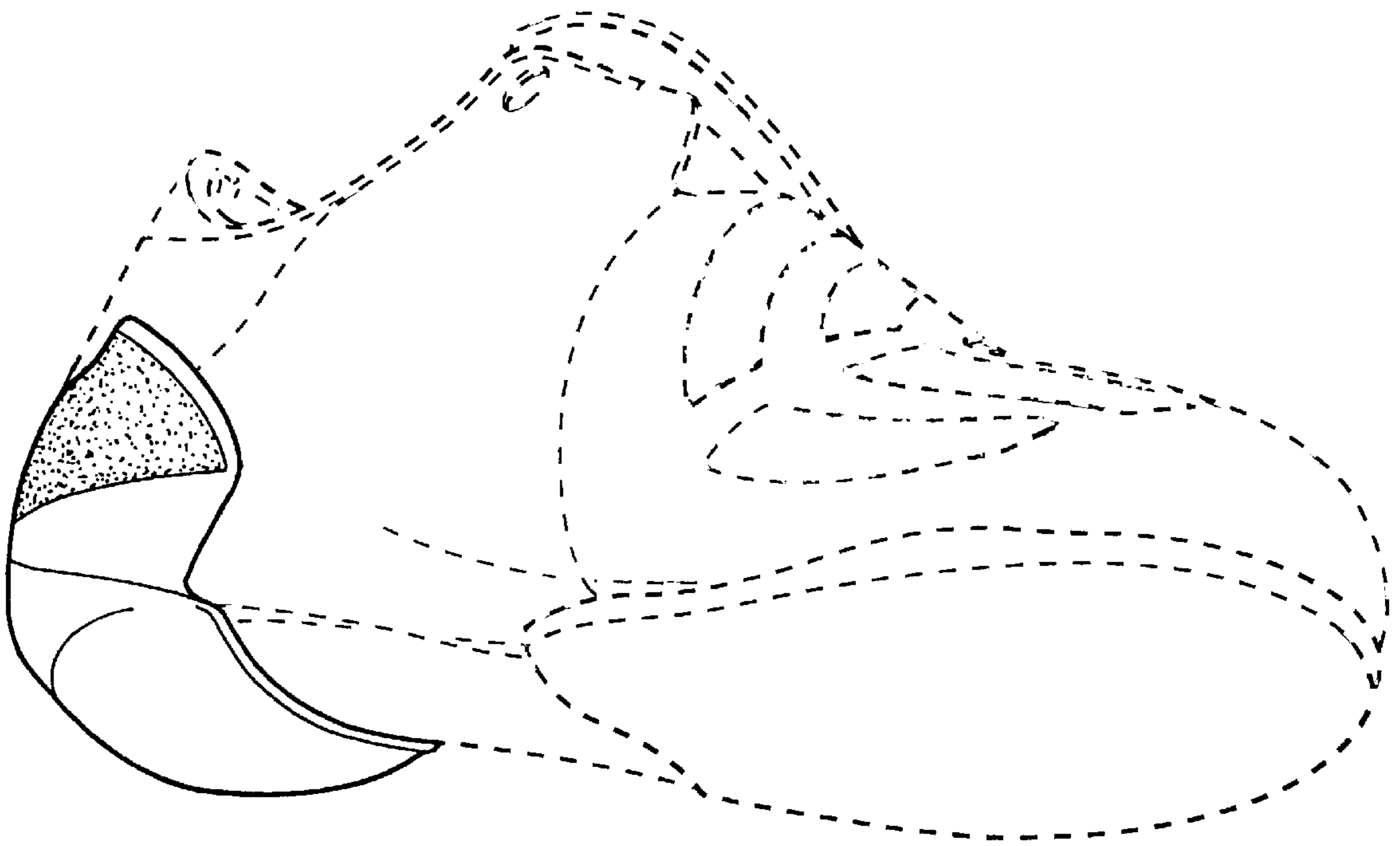


FIG. 2

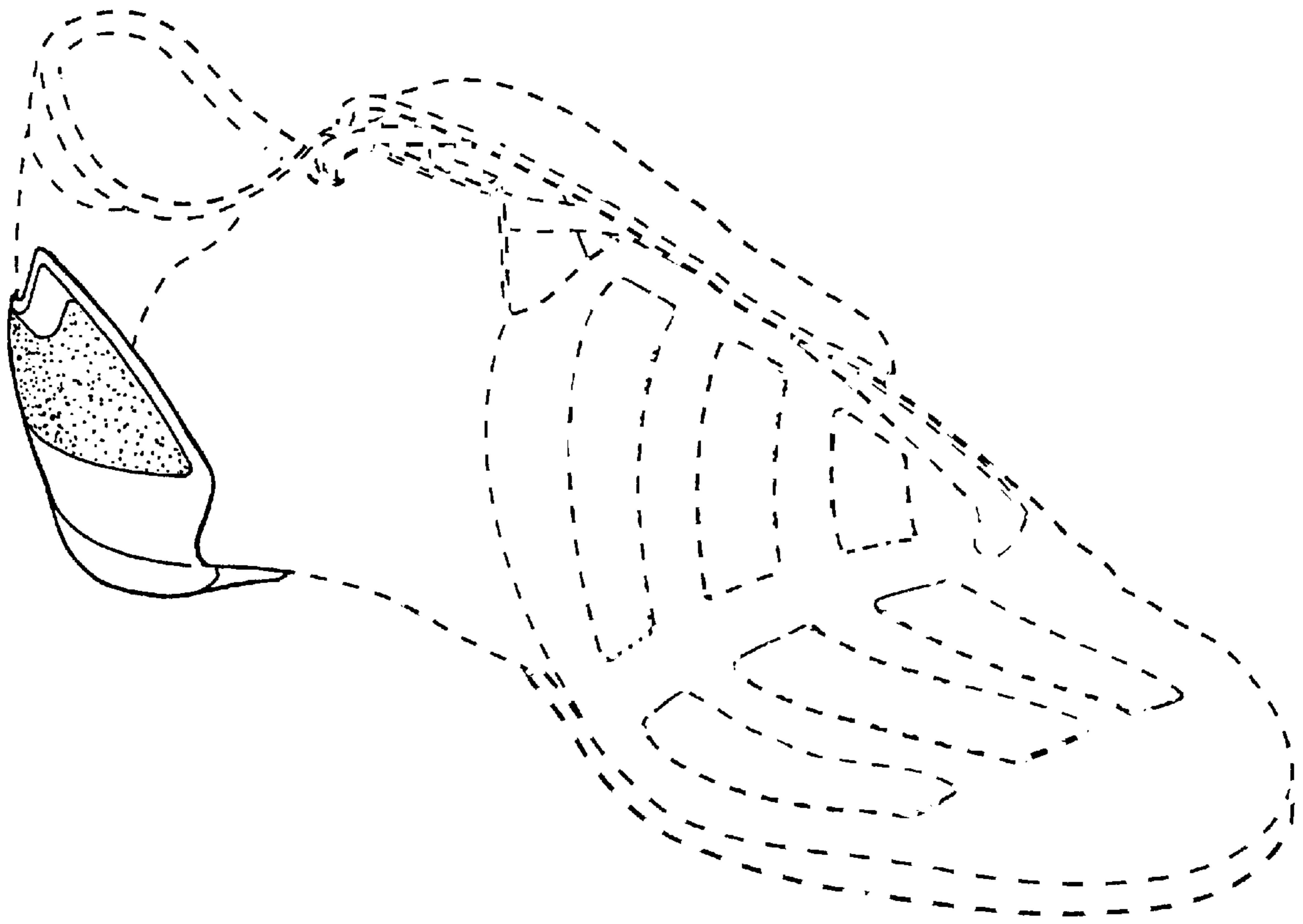


FIG. 3

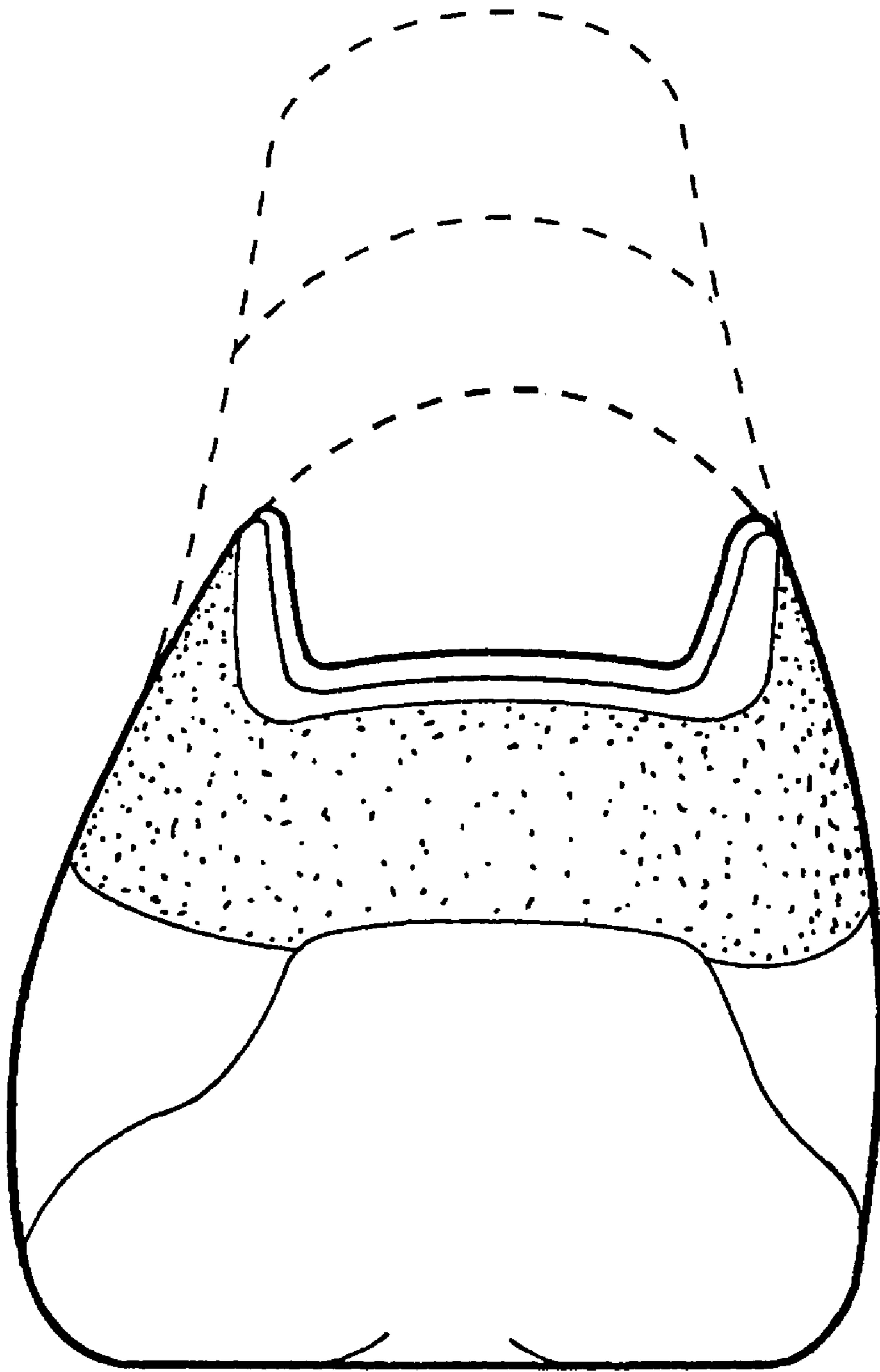


FIG. 4

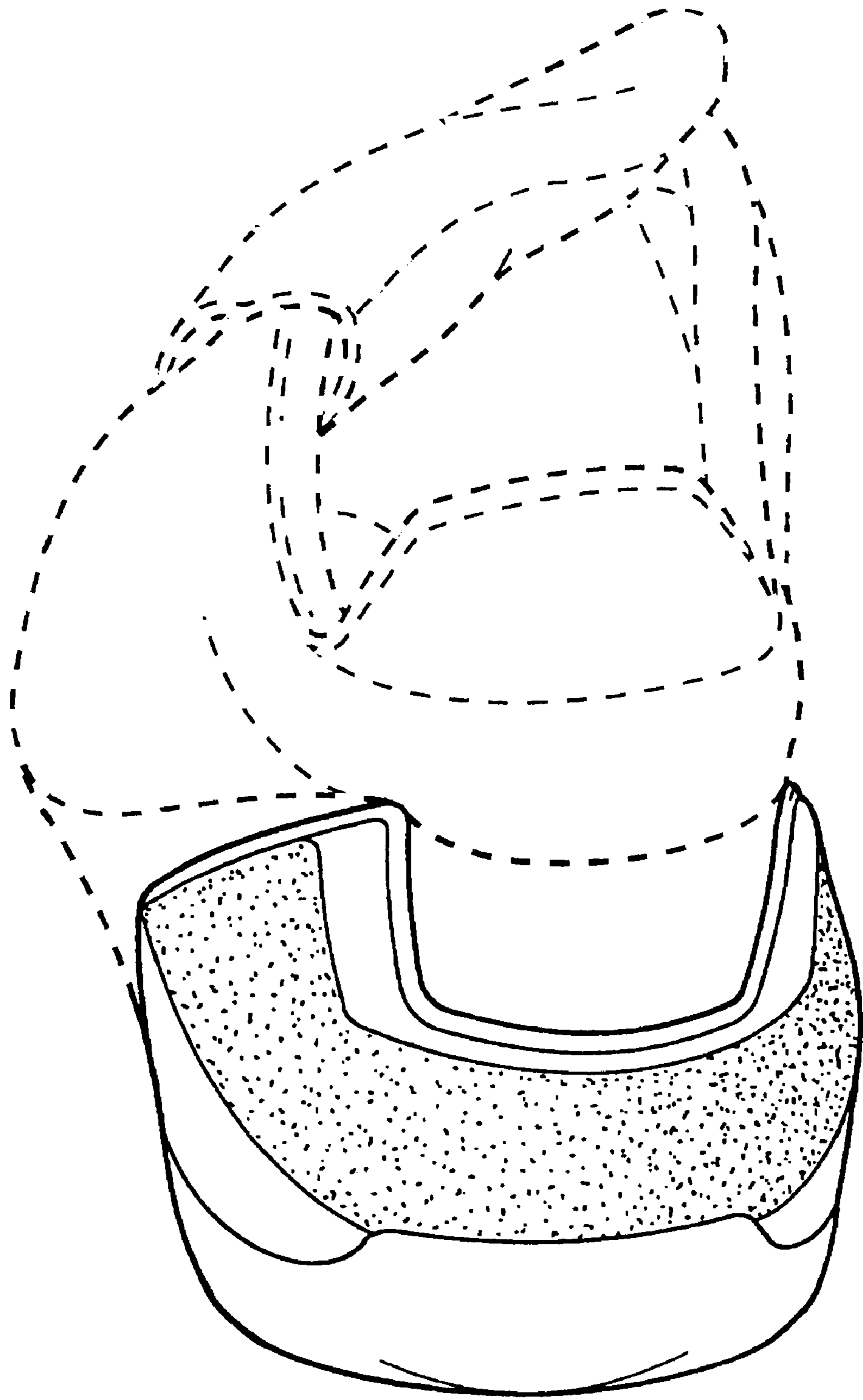


FIG. 5

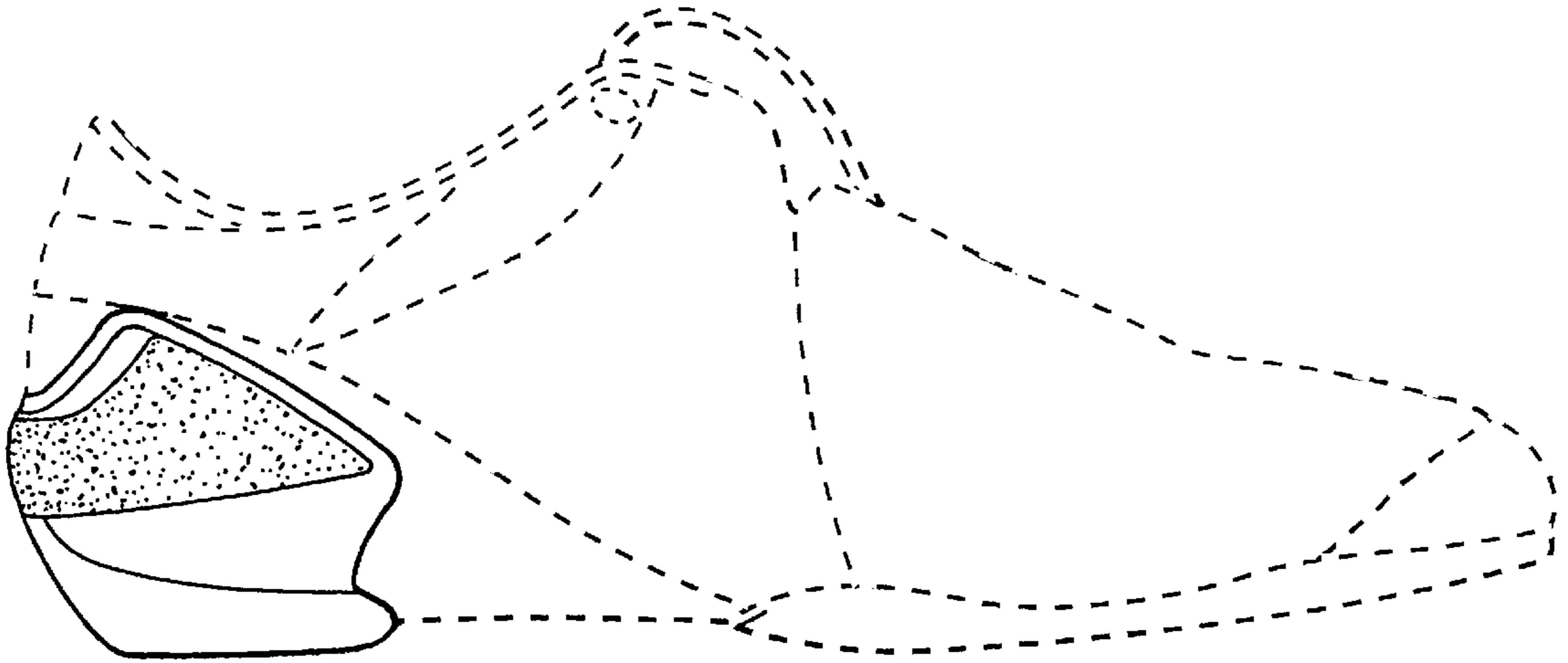


FIG. 6

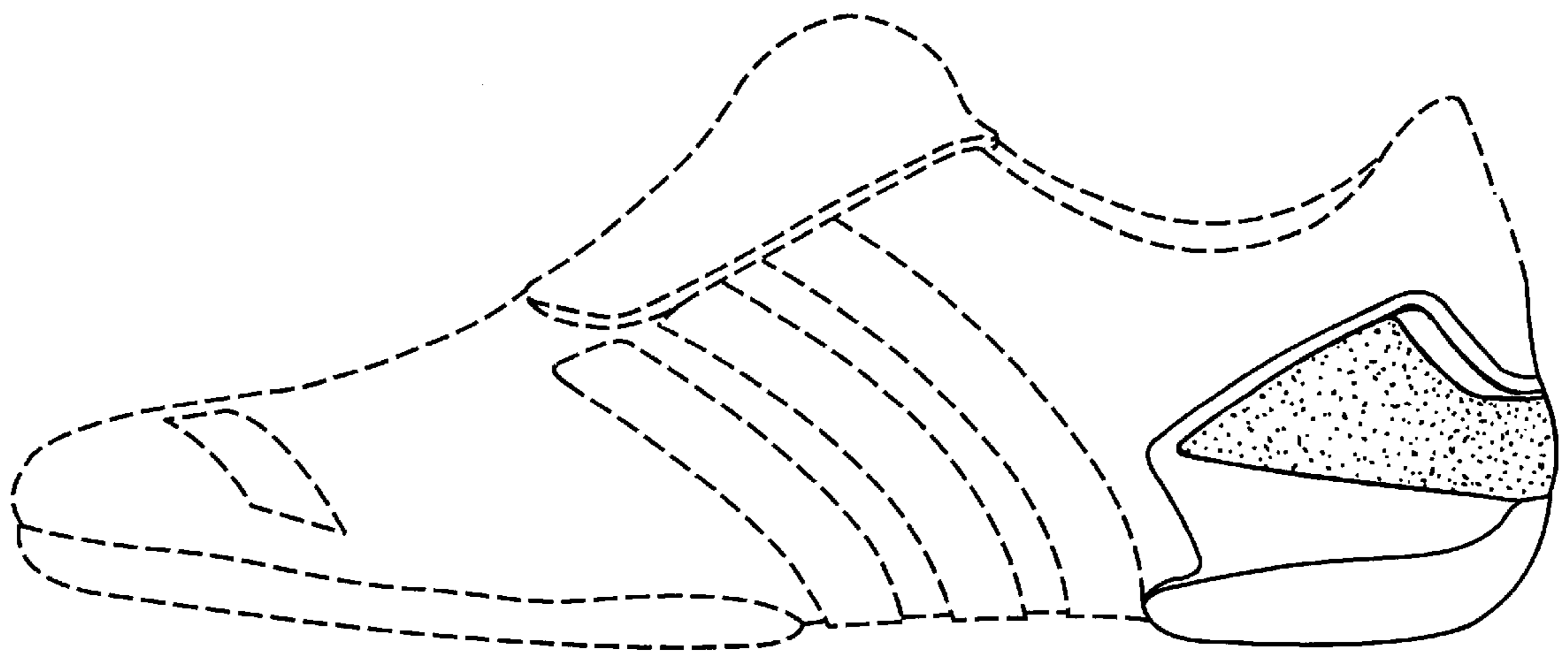


FIG. 7

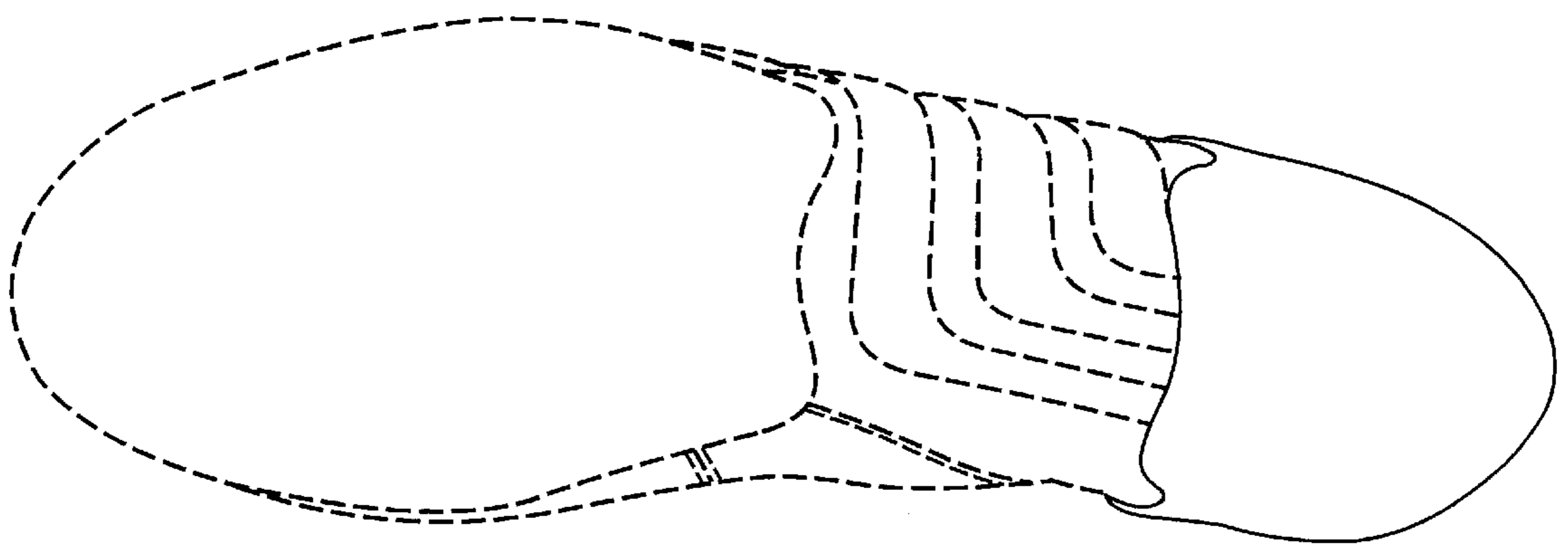


FIG. 8