



US00D466269S

(12) **United States Design Patent**
Falland

(10) **Patent No.:** **US D466,269 S**

(45) **Date of Patent:** **** Nov. 26, 2002**

(54) **DEMOUNTABLE BARREL STORAGE RACK**

(76) Inventor: **Kenneth John Falland**, Moppa Road
South, Nuriootpa 5355 South Australia
(AU)

(**) Term: **14 Years**

(21) Appl. No.: **29/148,820**

(22) Filed: **Sep. 25, 2001**

(30) **Foreign Application Priority Data**

Jul. 30, 2001 (AU) 2346/2001

(51) **LOC (7) Cl.** **09-02**

(52) **U.S. Cl.** **D34/39; D34/38**

(58) **Field of Search** D34/29, 38, 39;
248/346.02, 346.03, 346.11, 678, 186, 907;
211/59.4; 108/56.1, 56.3, 902, 901

(56) **References Cited**

U.S. PATENT DOCUMENTS

- D170,695 S * 10/1953 Kane D34/11
- D196,129 S * 8/1963 Torresen D34/11
- 3,372,812 A * 3/1968 Parcels 248/346.02
- D256,346 S * 8/1980 Annis D34/38
- 4,382,733 A * 5/1983 Rodgers 108/56.1
- 4,431,107 A * 2/1984 Bergstrom et al. 211/59.4
- 4,506,796 A * 3/1985 Thompson 211/59.4
- 5,080,314 A * 1/1992 Moyer et al. 248/346.03
- 5,123,547 A * 6/1992 Koch 211/59.4
- D345,845 S * 4/1994 Strzegowski, Jr. D34/38
- D352,580 S * 11/1994 Cook D34/1
- D381,180 S * 7/1997 Schueneman et al. D34/38
- D385,080 S * 10/1997 Schueneman et al. D34/38

- D433,206 S * 10/2000 Sankaran D34/28
- D441,166 S * 4/2001 Bowman et al. D34/38
- 6,209,839 B1 * 4/2001 O'Malley 248/346.02
- 6,276,285 B1 * 8/2001 Ruch 108/56.3
- 6,322,034 B1 * 11/2001 O'Malley 248/346.02
- D455,244 S * 4/2002 Laustrup D34/38

FOREIGN PATENT DOCUMENTS

- AU 116601 3/1993
- AU 117931 8/1993

* cited by examiner

Primary Examiner—Cynthia E. Ramirez

(74) *Attorney, Agent, or Firm*—The Maxham Firm

(57) **CLAIM**

The ornamental design of a demountable barrel storage rack, substantially as shown and described.

DESCRIPTION

FIG. 1 is a perspective view of my demountable barrel storage rack from one end. The view from the other end is the same;

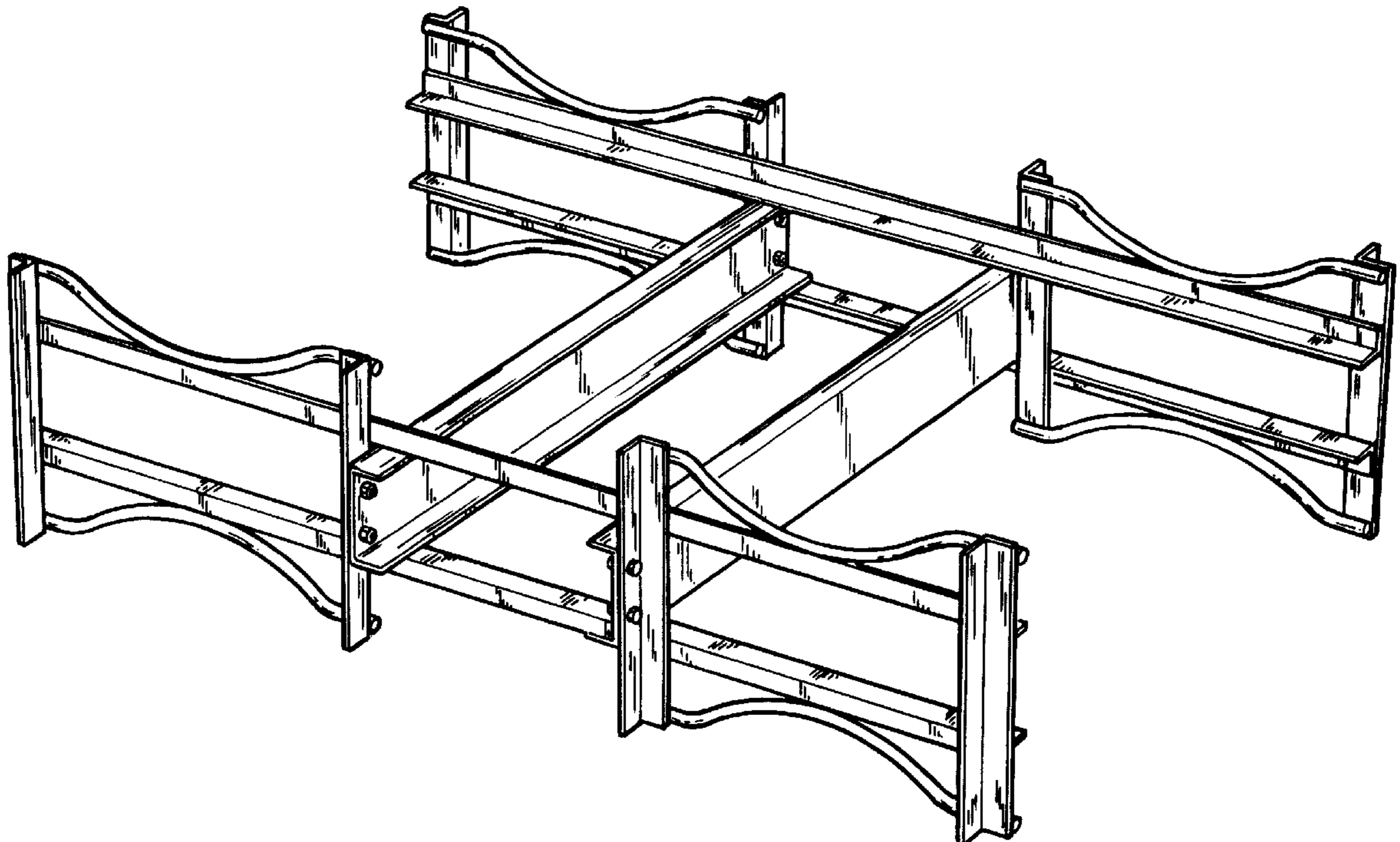
FIG. 2 is a perspective view of my demountable barrel storage rack in a disassembled and stacked for transport position;

FIG. 3 is a plan view of my demountable barrel storage rack. The underside view is the same;

FIG. 4 is a front view of my demountable barrel storage rack. The back view is the same; and,

FIG. 5 is a side view of my demountable barrel storage rack. The other side view is the same.

1 Claim, 3 Drawing Sheets



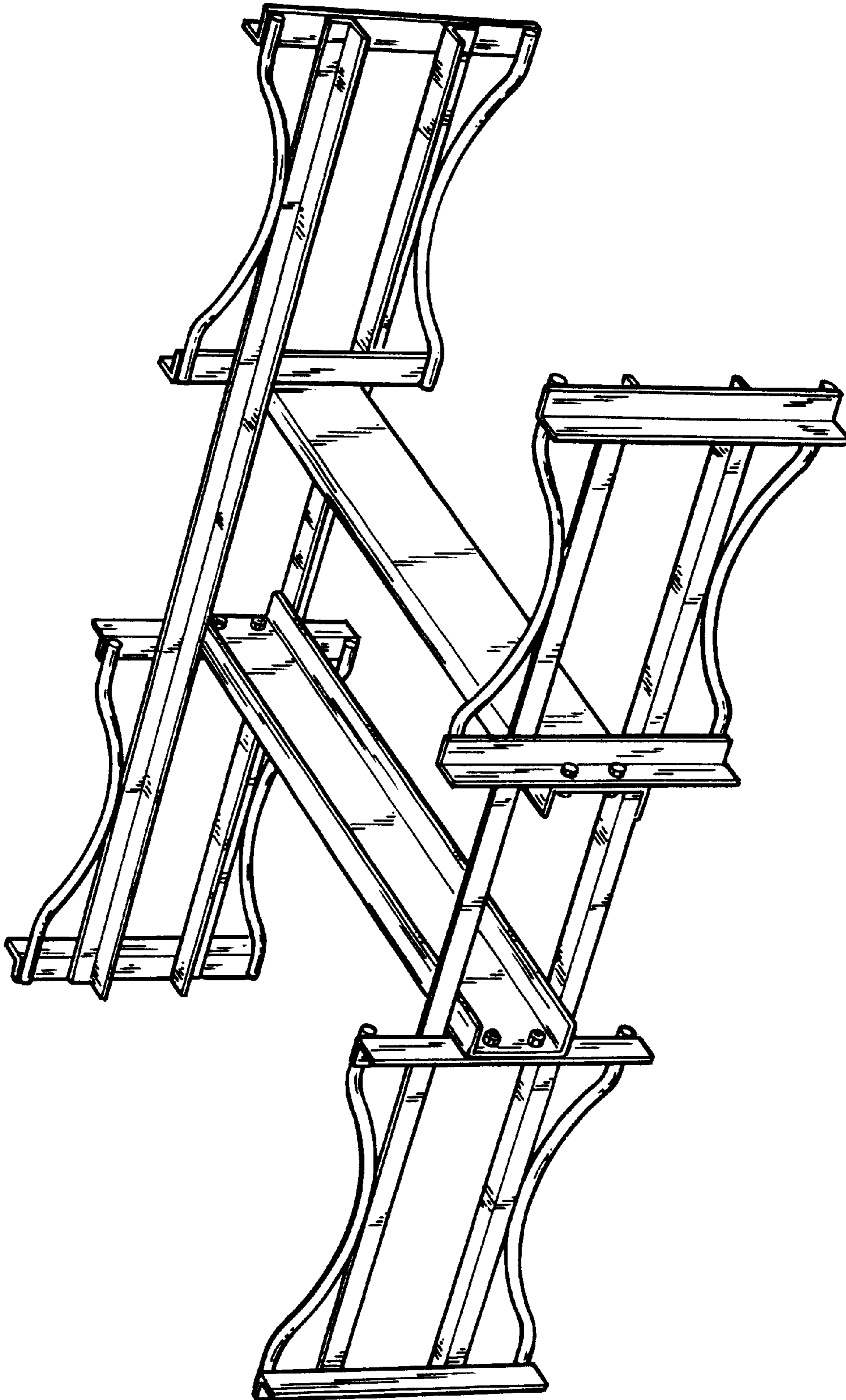


Fig 1

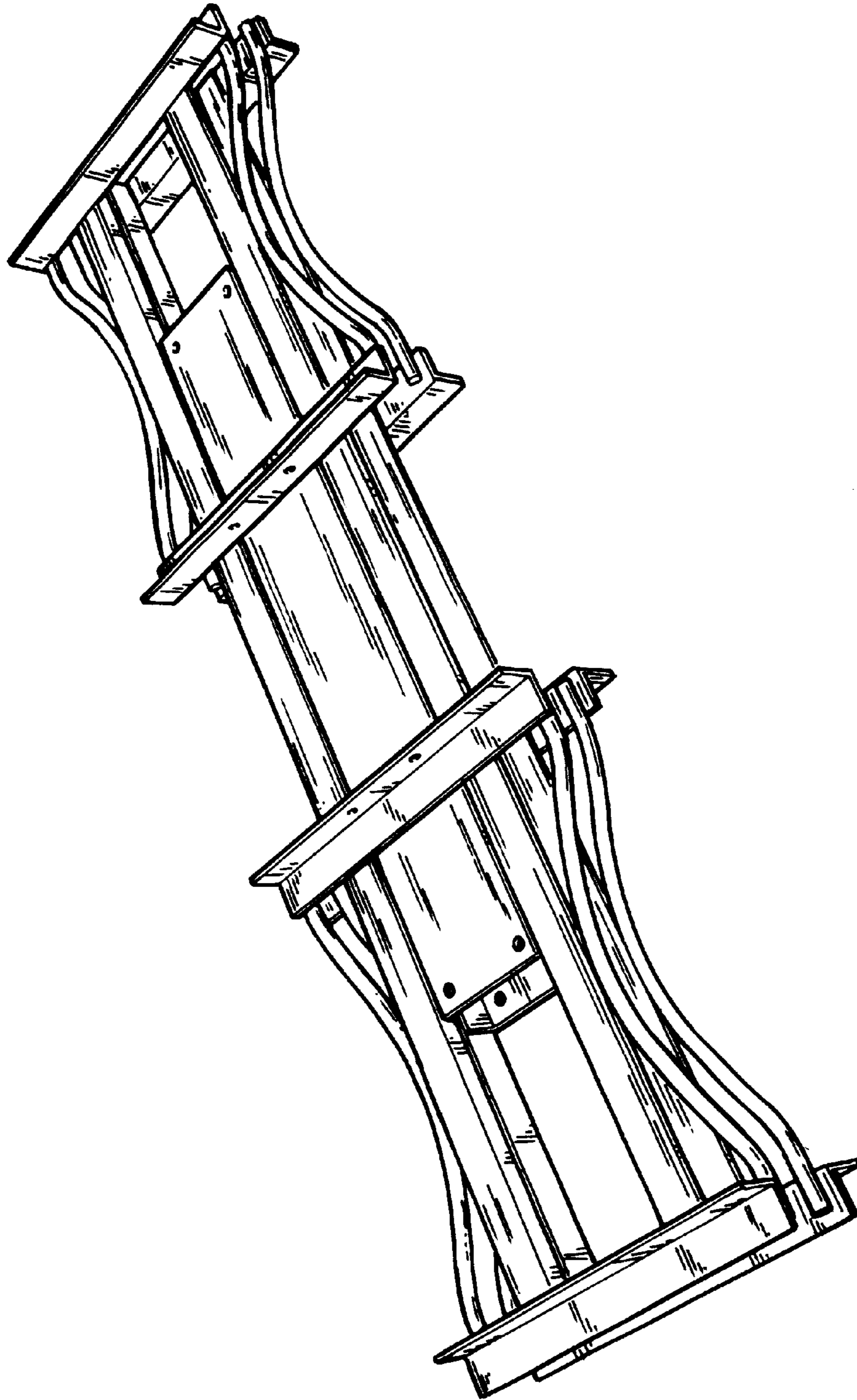


Fig 2

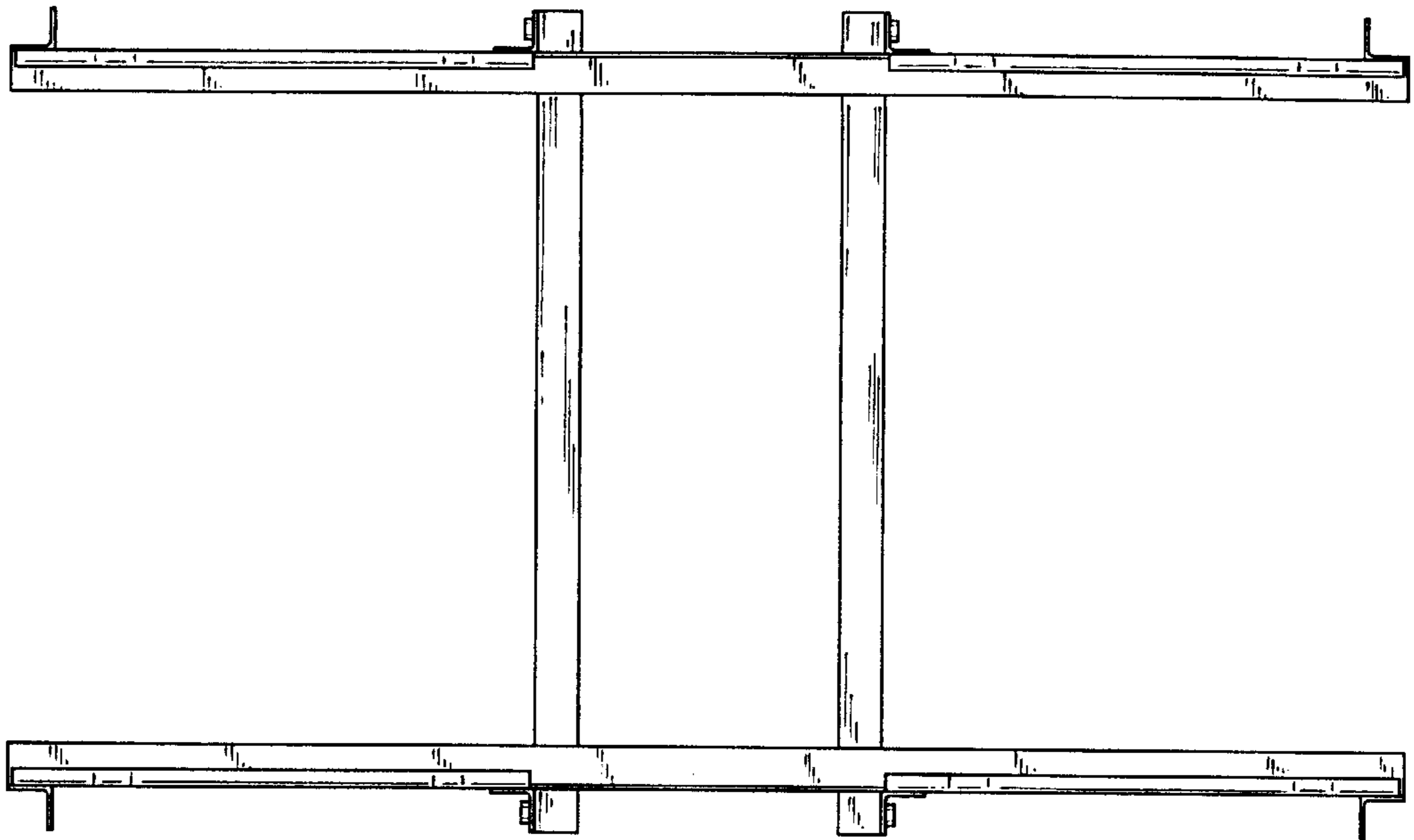


Fig 3

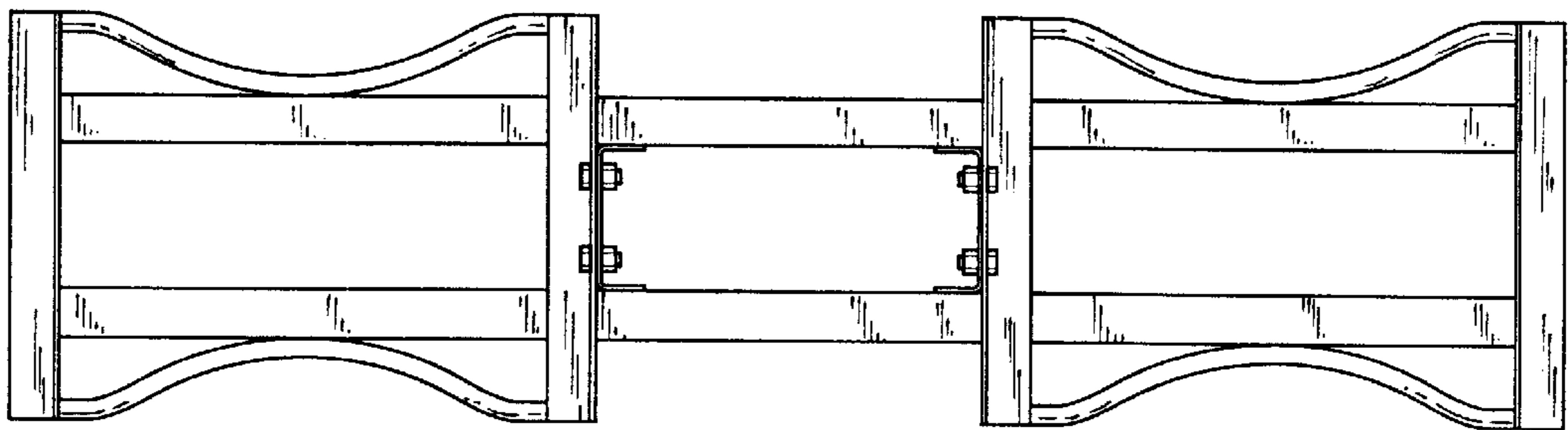


Fig 4

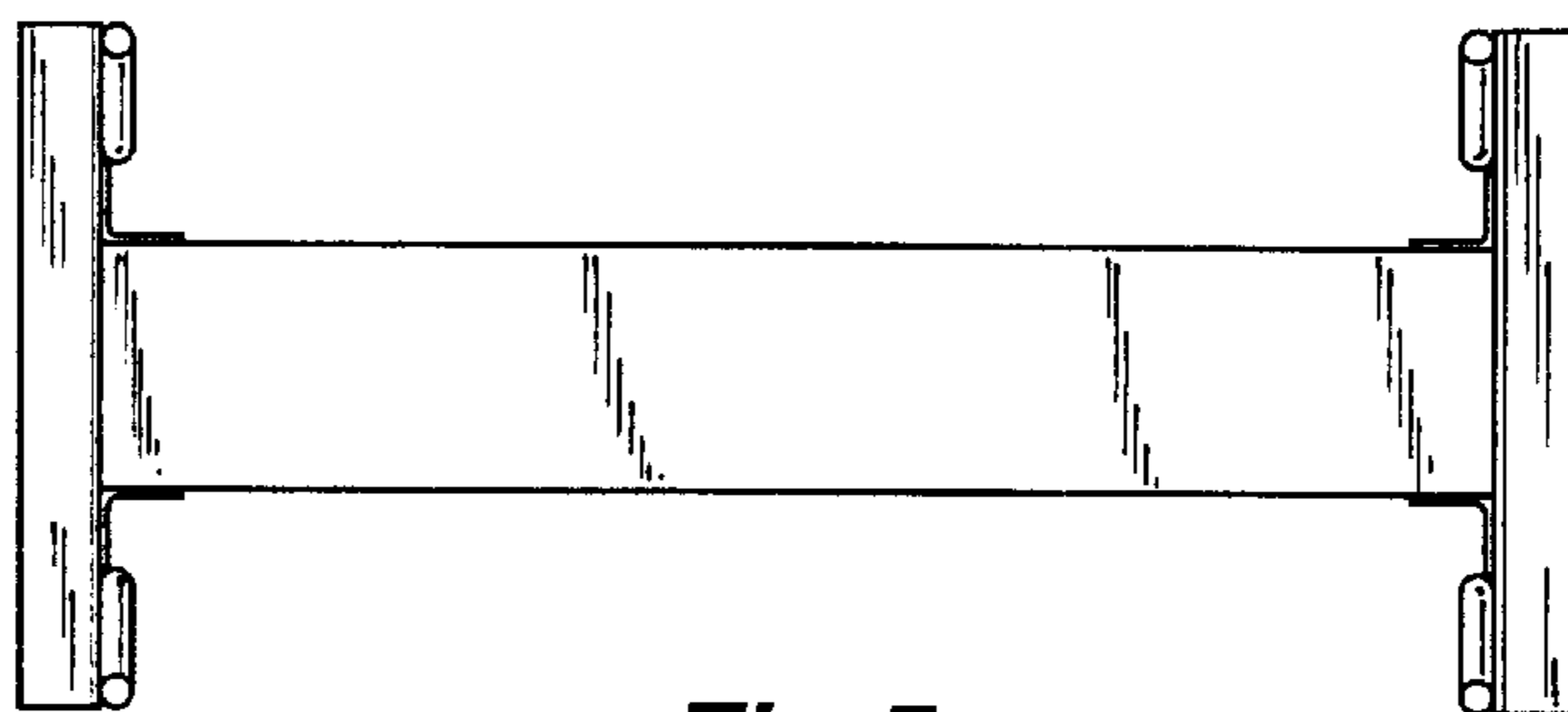


Fig 5