



US00D466267S

(12) **United States Design Patent**
Lee

(10) **Patent No.:** **US D466,267 S**

(45) **Date of Patent:** **** Nov. 26, 2002**

(54) **CARRYING CART**

D411,679 S * 6/1999 Hsieh et al. D34/24
D453,602 S * 2/2002 Chang D34/24

(75) Inventor: **Yu-Wen Lee, Chang Hua Hsien (TW)**

* cited by examiner

(73) Assignee: **Hando Industrial Co.,Ltd., Chang Hua Hsien (TW)**

Primary Examiner—Kay H. Chin
(74) *Attorney, Agent, or Firm*—Harrison & Egbert

(**) Term: **14 Years**

(57) **CLAIM**

(21) Appl. No.: **29/158,261**

I claim the ornamental design for a carrying cart, as shown and described.

(22) Filed: **Apr. 3, 2002**

DESCRIPTION

(51) **LOC (7) Cl.** **12-02**

(52) **U.S. Cl.** **D34/24; D34/26**

(58) **Field of Search** D34/12-27; 280/40,
280/47.24, 47.27, 47.29, 651, 652, 655.1,
655

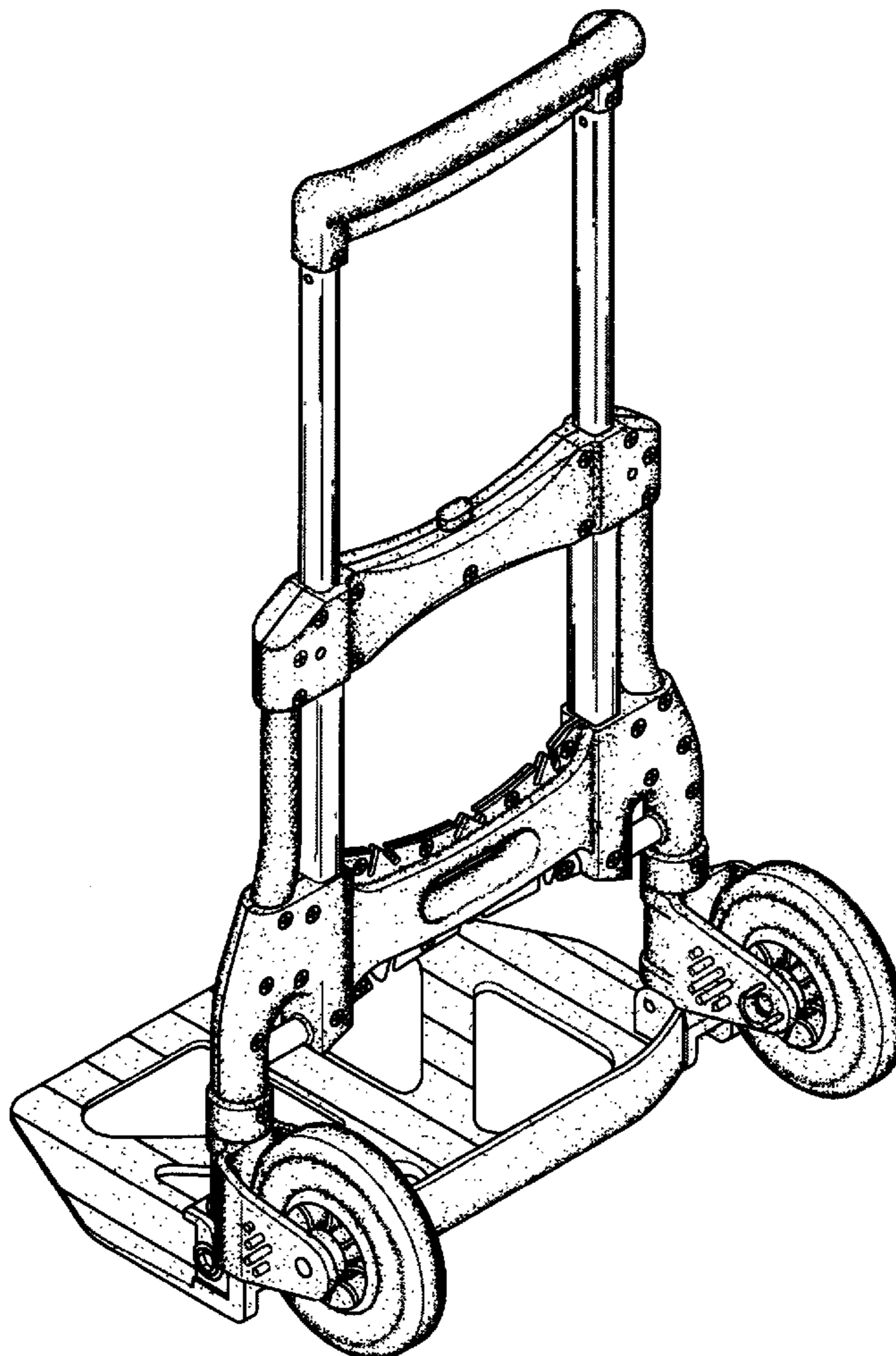
FIG. 1 is an upper perspective view of the carrying cart showing my design.
FIG. 2 is a front view thereof;
FIG. 3 is a back view thereof;
FIG. 4 is a side view thereof;
FIG. 5 is an opposite side view thereof;
FIG. 6 is a top view thereof;
FIG. 7 is a bottom view thereof; and,
FIG. 8 is an upper perspective view thereof showing its use, the broken lines are for illustrative purposes only.

(56) **References Cited**

U.S. PATENT DOCUMENTS

D364,021 S * 11/1995 Shih-Hsien D34/26
5,468,005 A * 11/1995 Yang 280/40
D365,187 S * 12/1995 Tsai D34/26

1 Claim, 5 Drawing Sheets



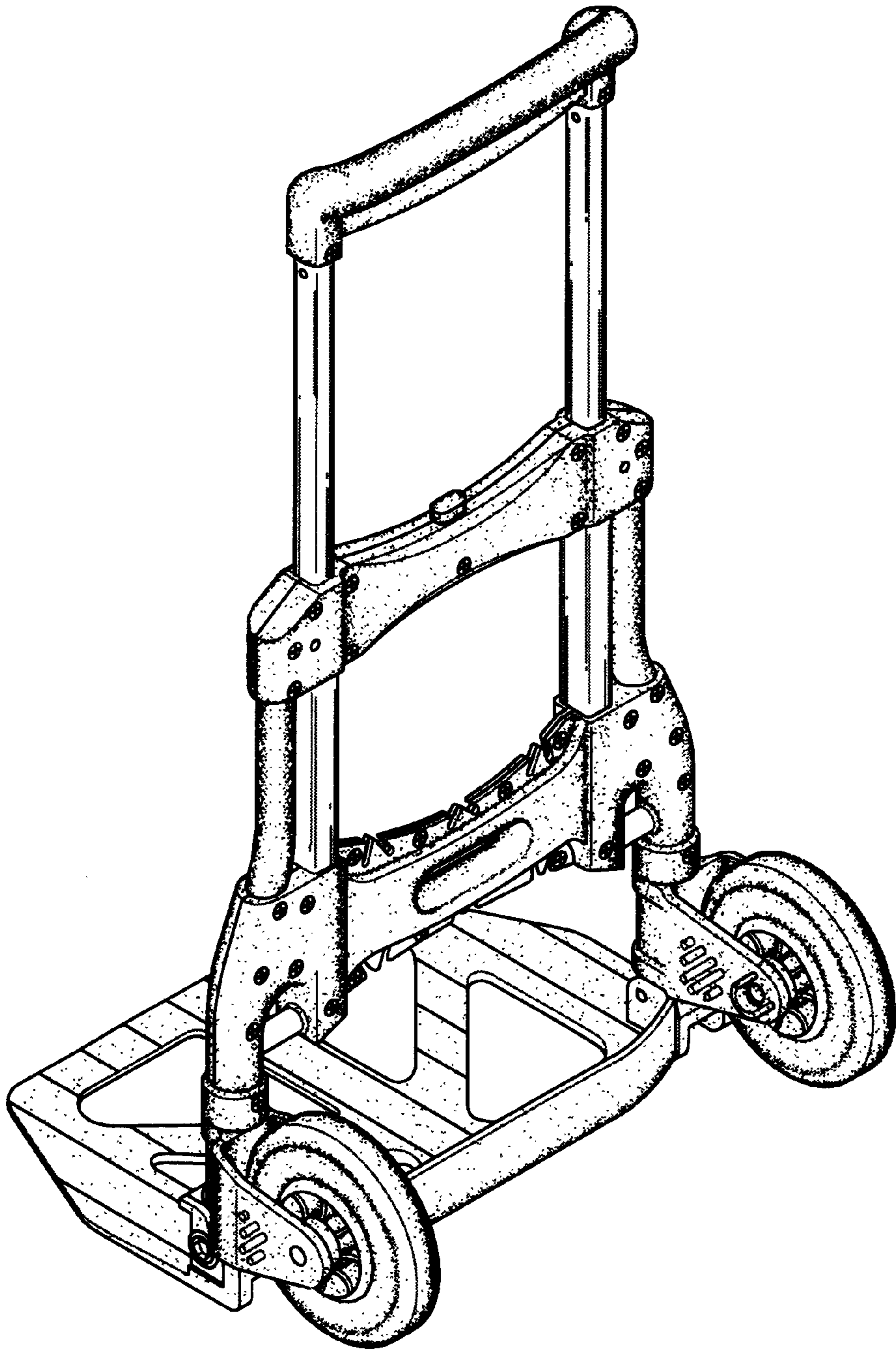


FIG.1

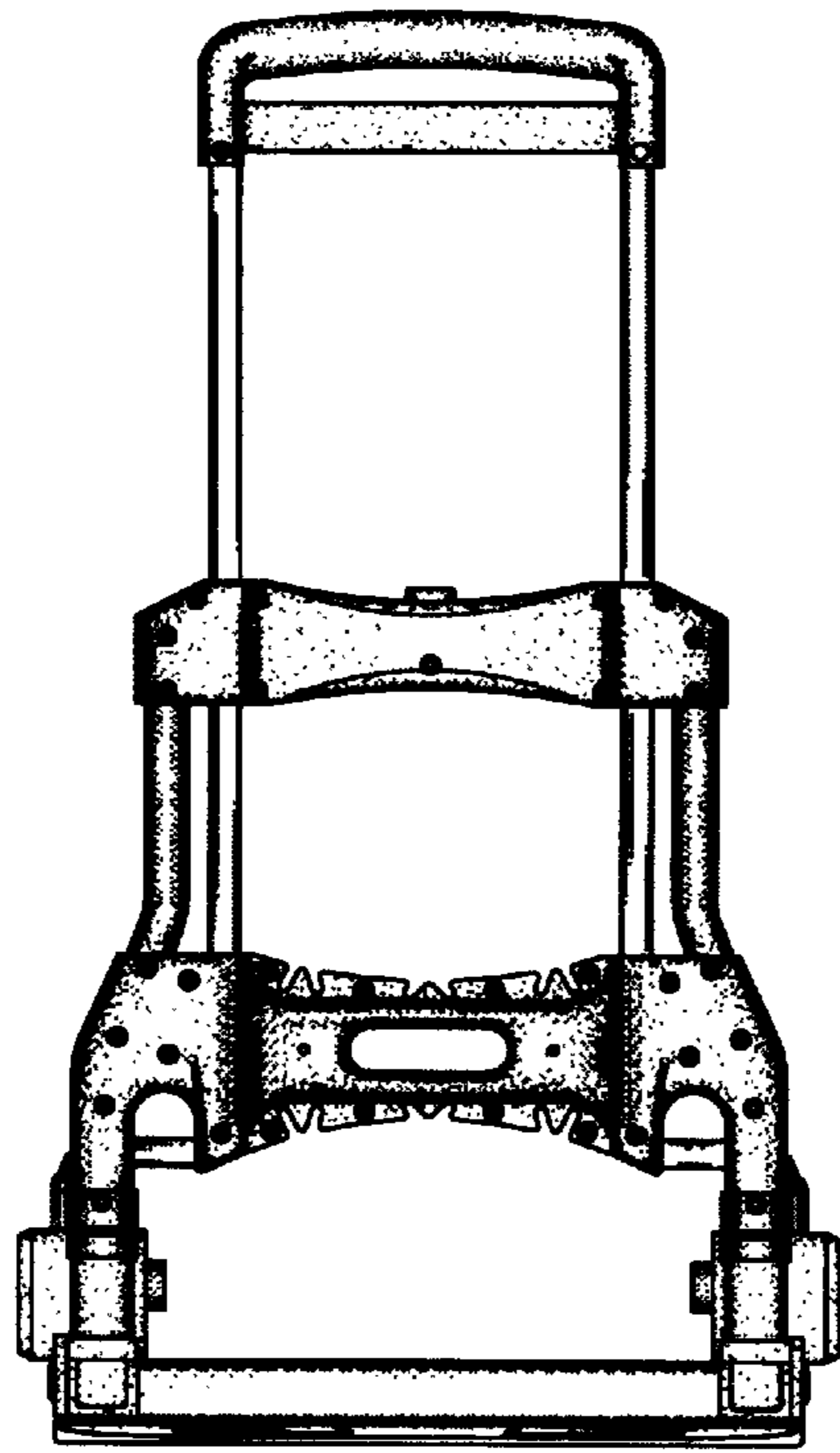


FIG.2

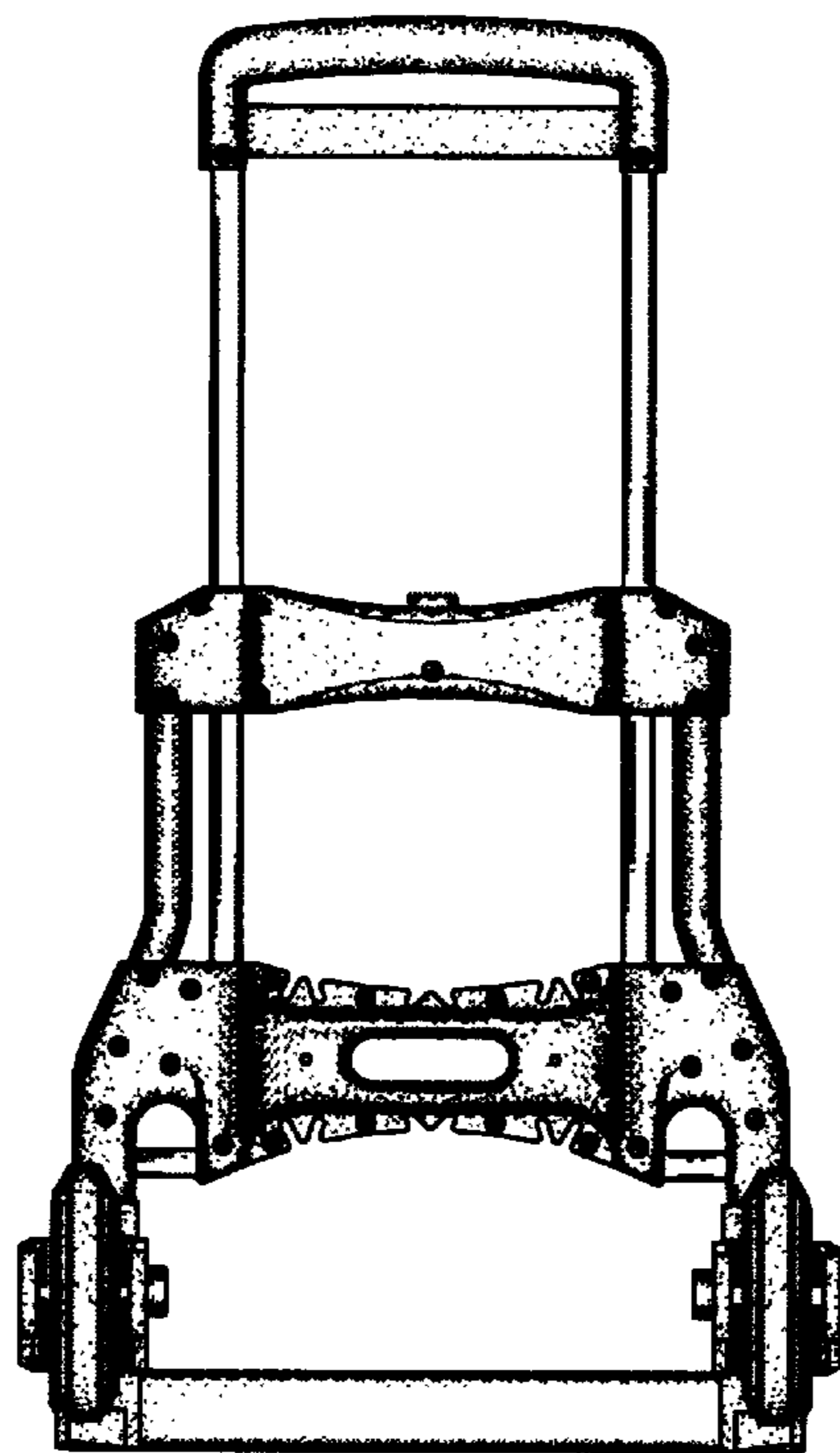


FIG.3

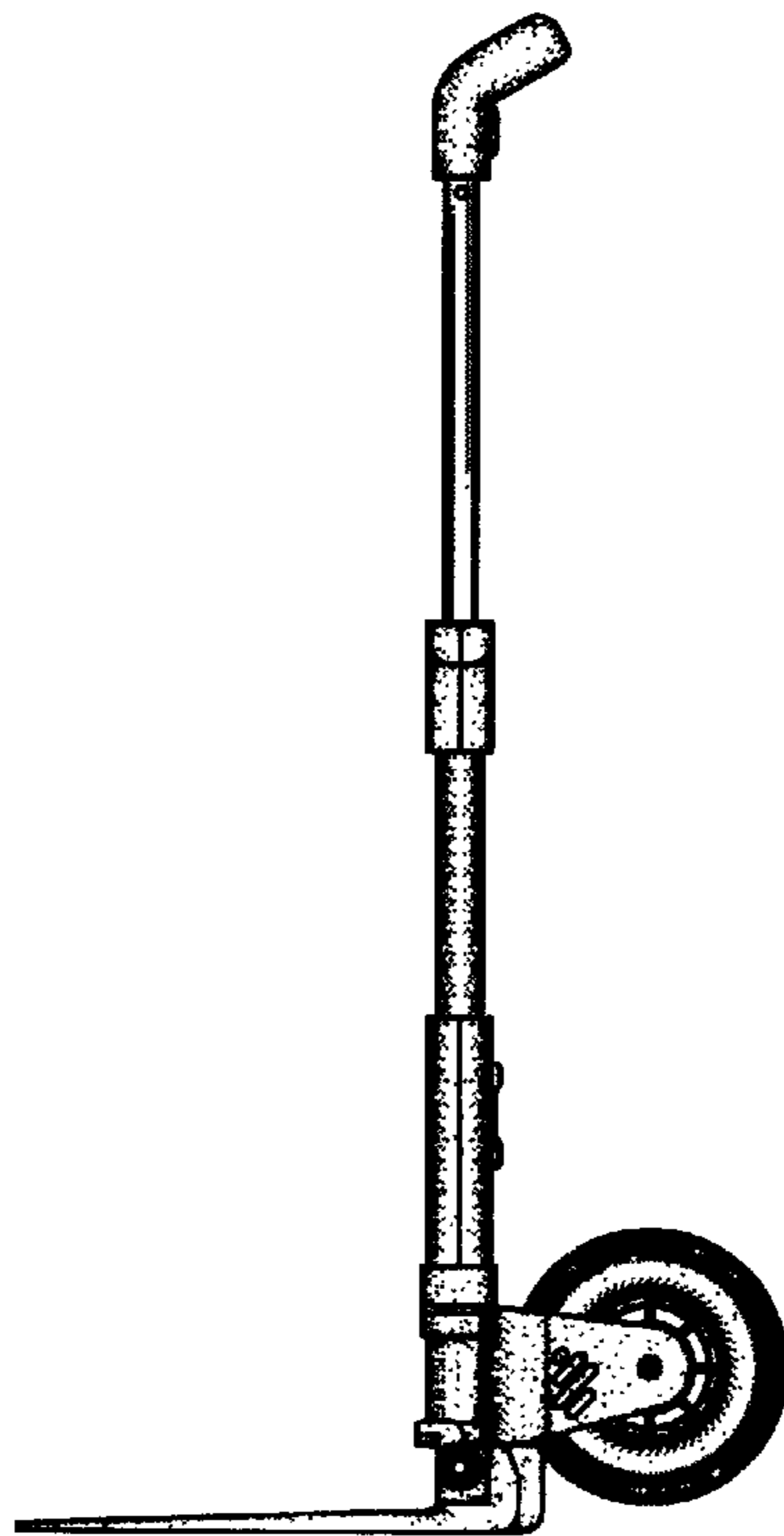


FIG. 4

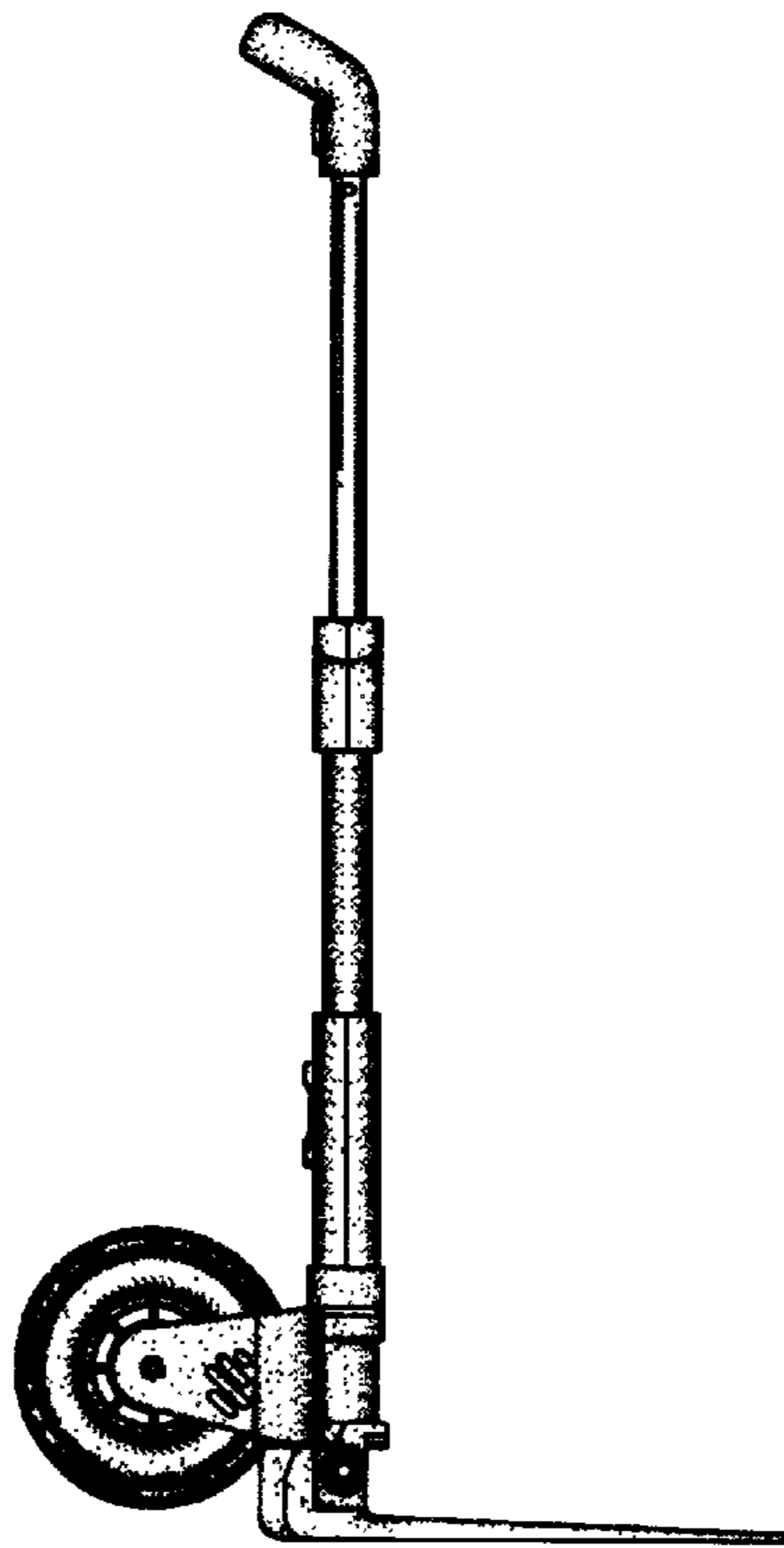


FIG. 5

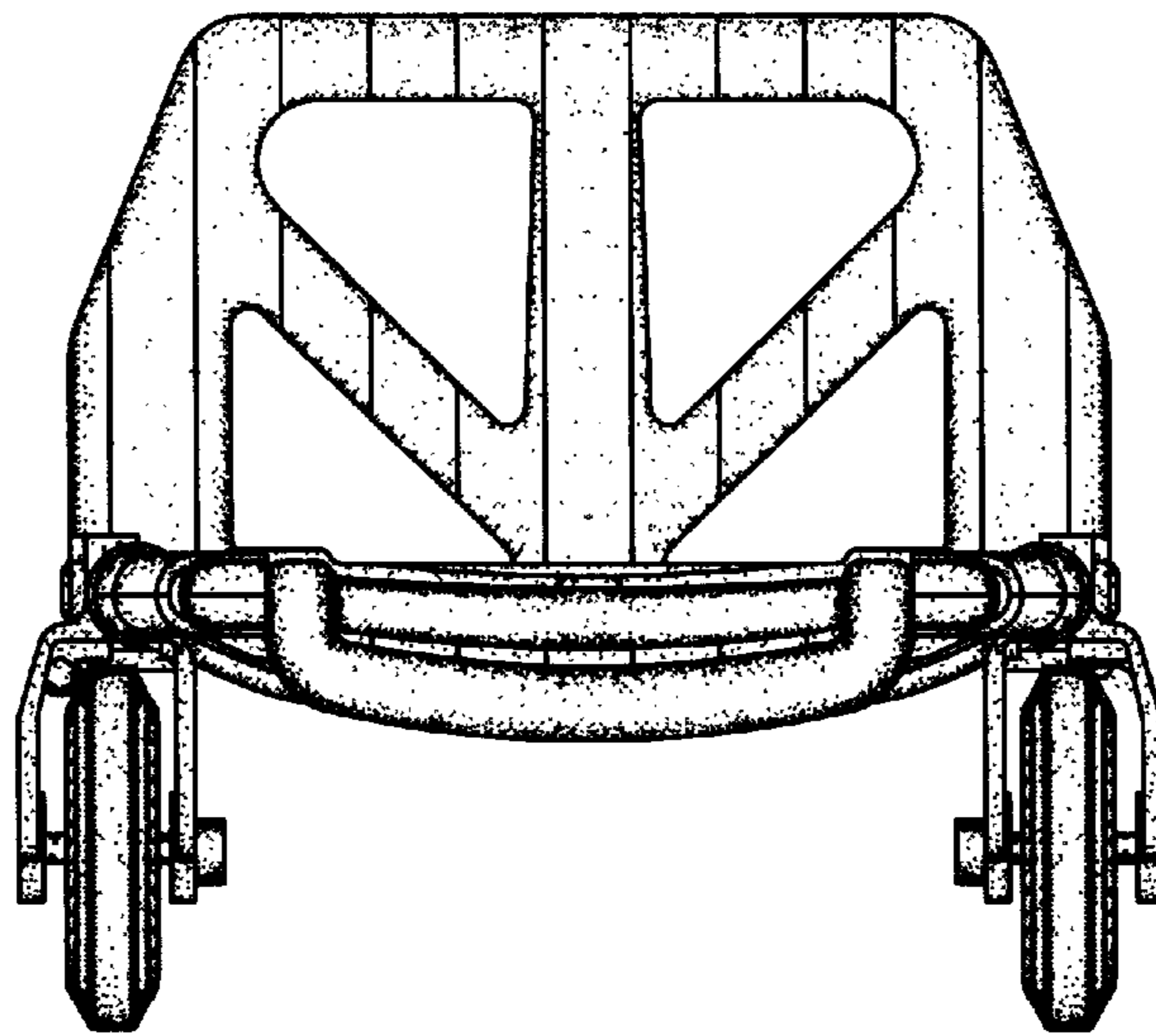


FIG.6

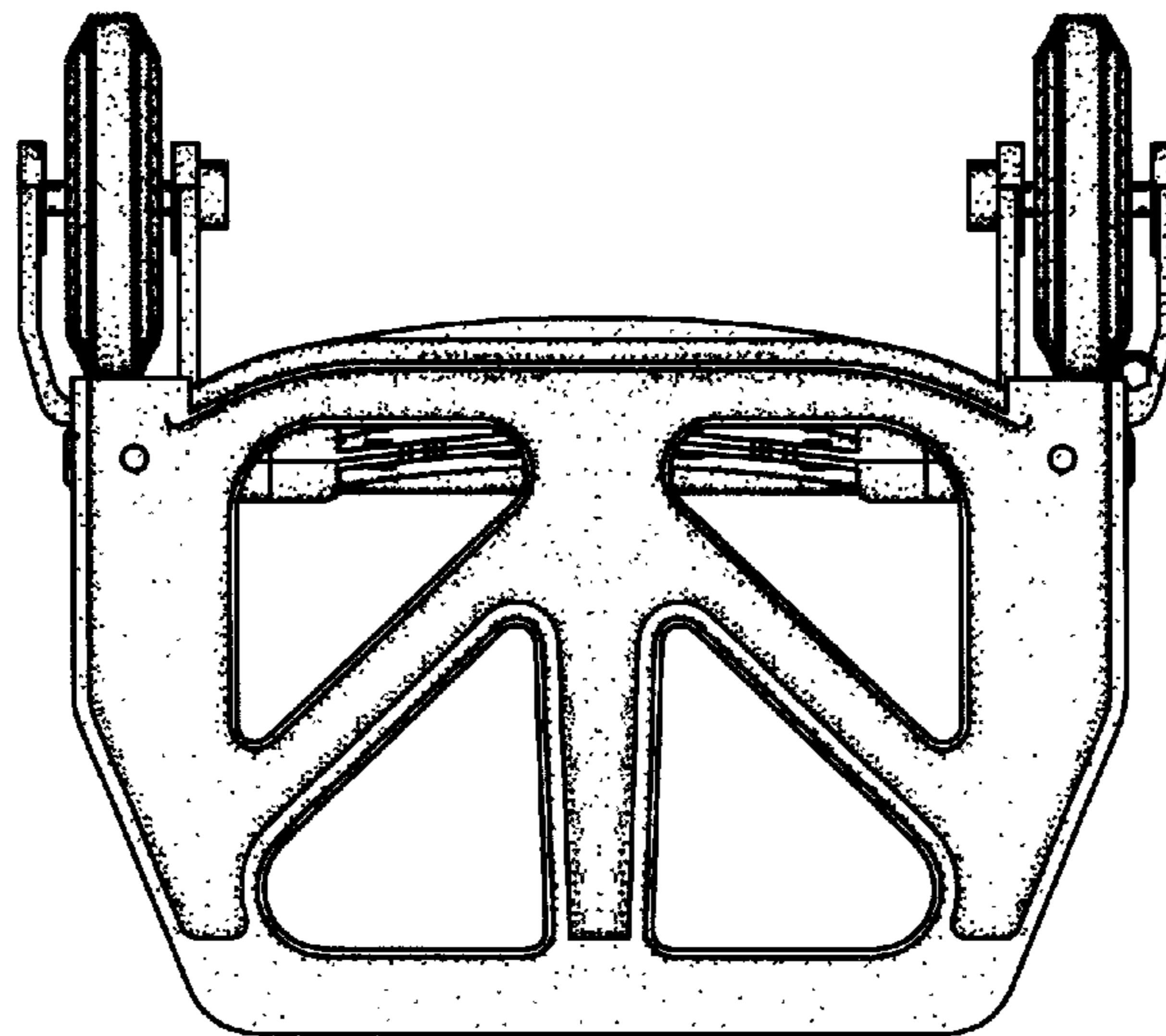


FIG.7

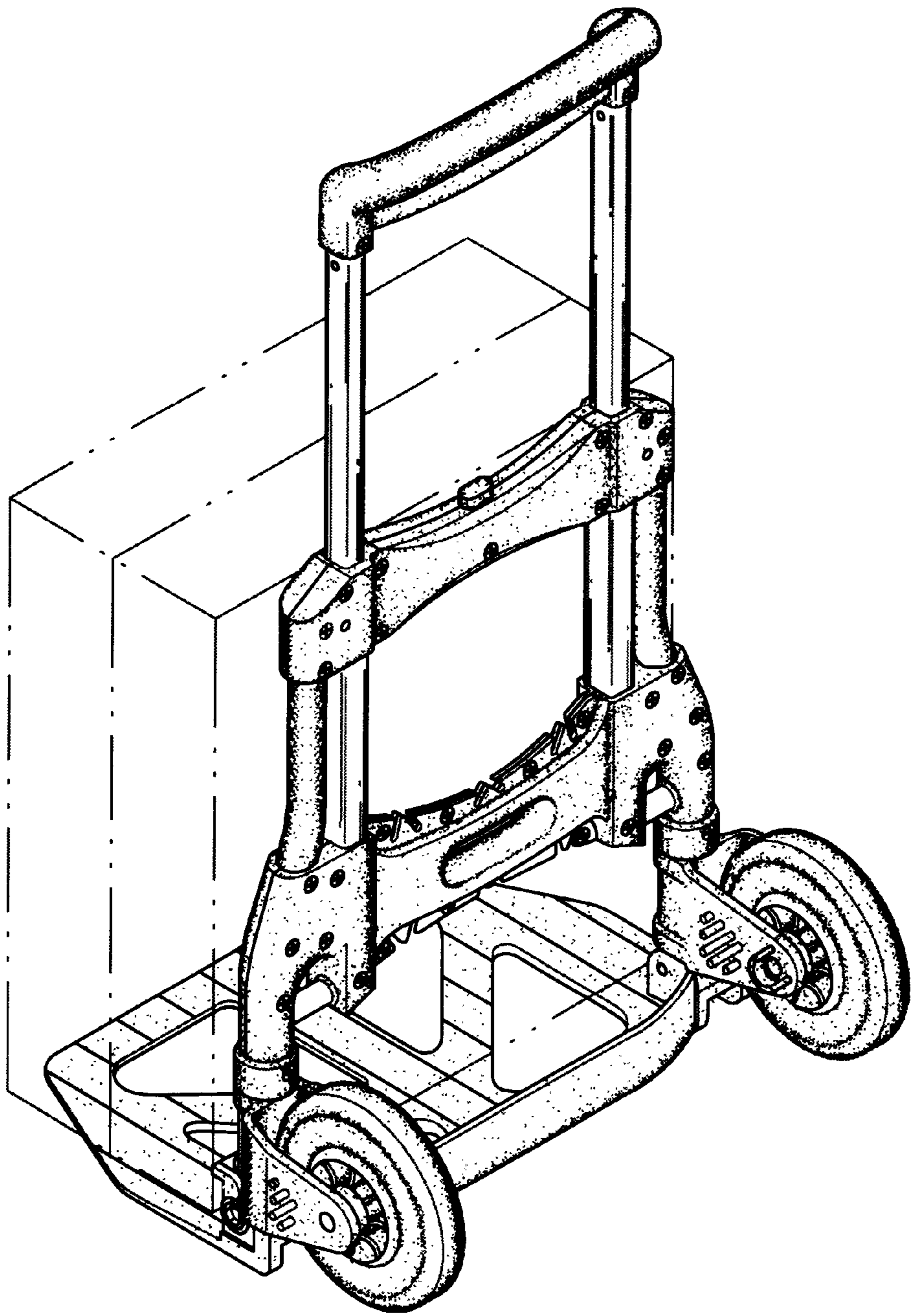


FIG.8