



US00D466266S

(12) **United States Design Patent**
Wu

(10) **Patent No.:** **US D466,266 S**

(45) **Date of Patent:** **** Nov. 26, 2002**

(54) **WHEELBARROW**

4,974,862 A * 12/1990 Maupin 280/47.27
D330,959 S * 11/1992 Apter et al. D34/26
5,221,066 A * 6/1993 Ferrigan et al. 248/166

(75) Inventor: **Fan-Jung Wu**, Taipei (TW)

(73) Assignee: **Sinmatai Enterprise Co., Ltd.**, Taipei (TW)

* cited by examiner

(**) Term: **14 Years**

Primary Examiner—Kay H. Chin

(74) *Attorney, Agent, or Firm*—Bacon & Thomas, PLLC

(21) Appl. No.: **29/150,998**

(57) **CLAIM**

(22) Filed: **Dec. 4, 2001**

The ornamental design for a wheelbarrow, as shown.

(30) **Foreign Application Priority Data**

DESCRIPTION

Aug. 7, 2001 (TW) 090305157

(51) **LOC (7) Cl.** **12-02**

FIG. 1 is a perspective view thereof;

(52) **U.S. Cl.** **D34/24; D34/16**

FIG. 2 is a right side elevation view thereof;

(58) **Field of Search** D34/12-27; 280/47.17,
280/47.24, 47.27, 47.28, 47.29, 47.33, 646;
248/166

FIG. 3 is top view thereof;

FIG. 4 is a front elevation view thereof;

FIG. 5 is a bottom view thereof;

FIG. 6 is a left side elevation view thereof; and,

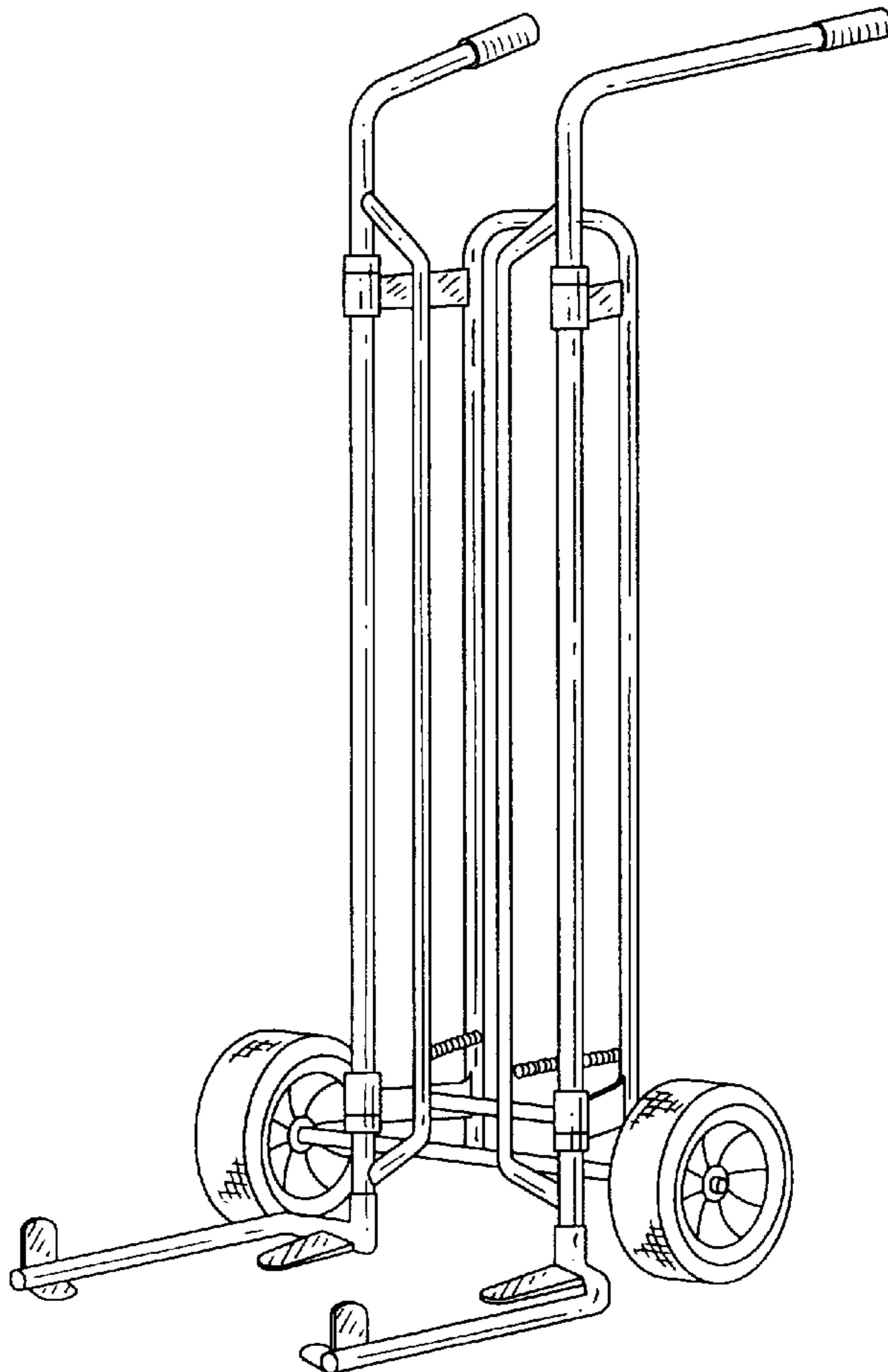
FIG. 7 is a rear elevation view thereof.

(56) **References Cited**

U.S. PATENT DOCUMENTS

3,878,958 A * 4/1975 Ring 280/47.27 X

1 Claim, 4 Drawing Sheets



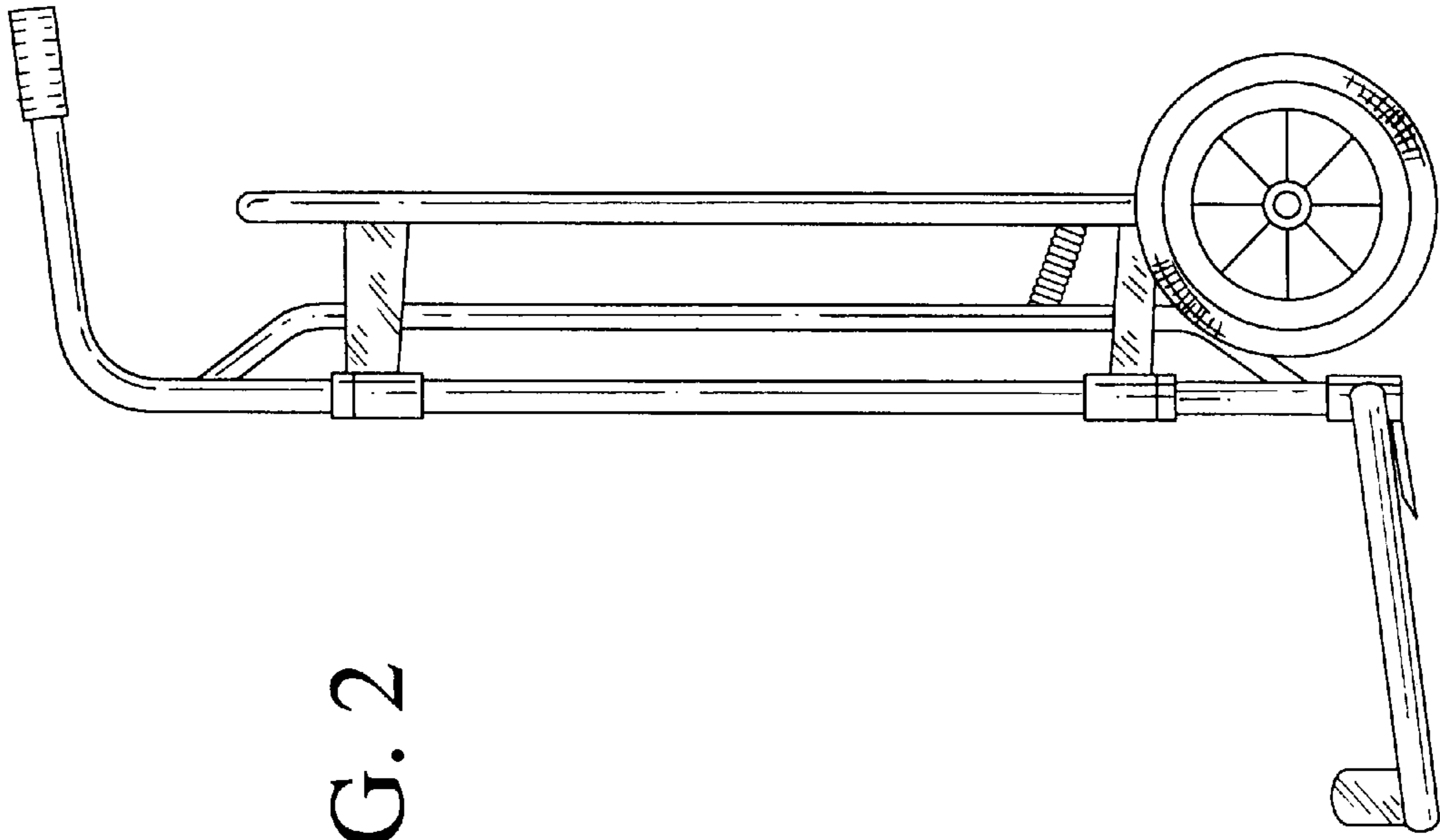


FIG. 2

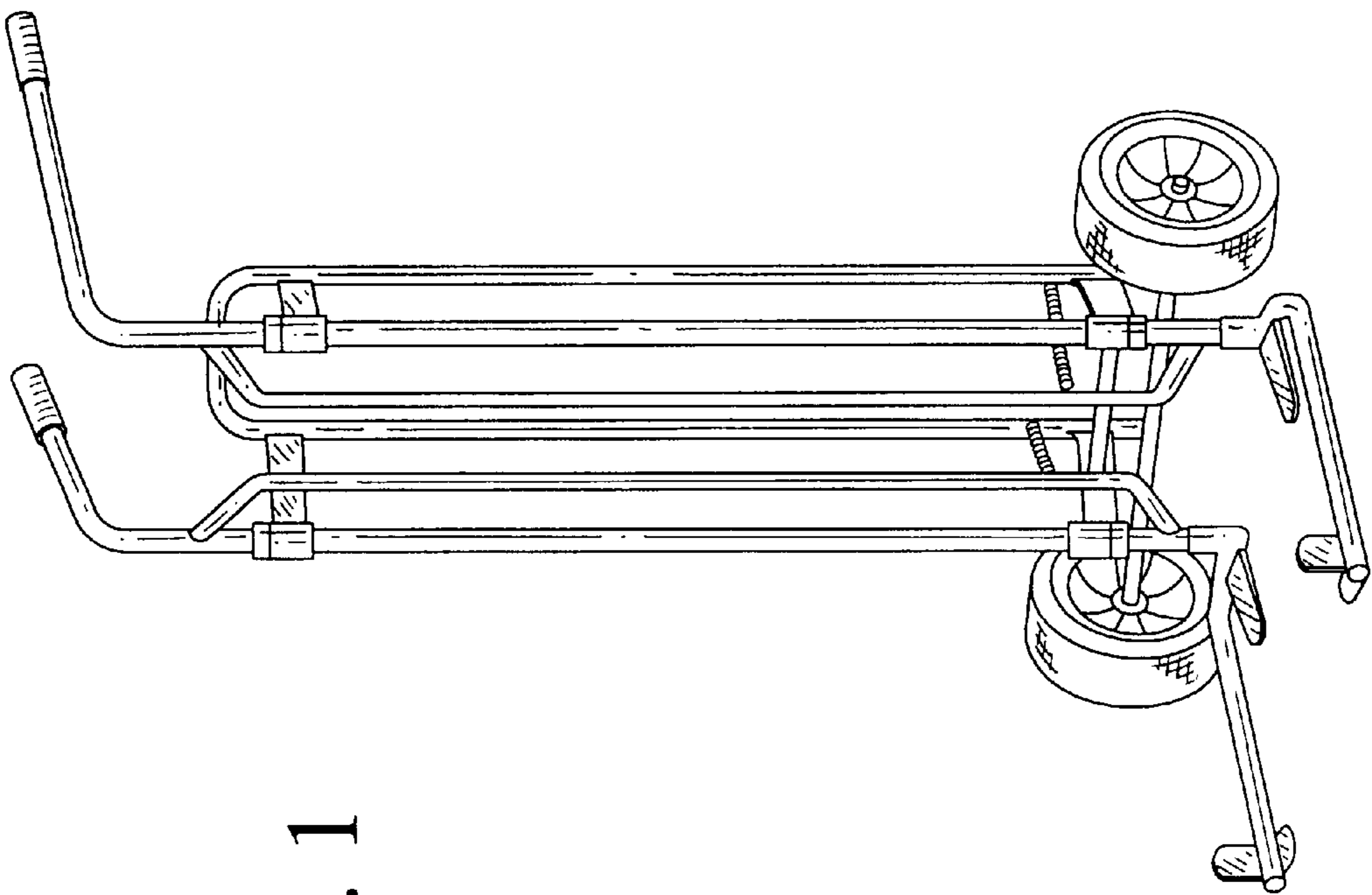


FIG. 1

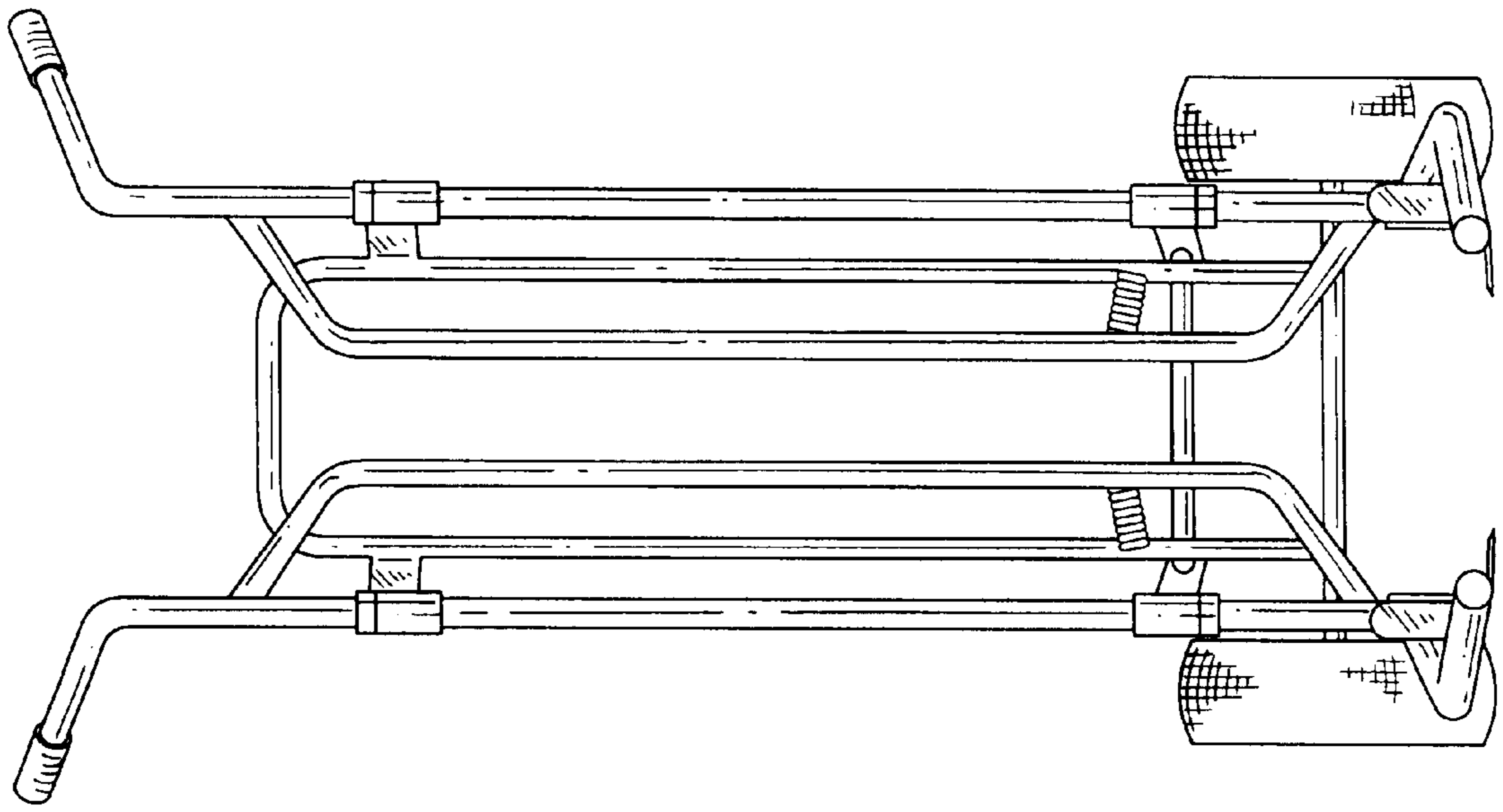


FIG. 4

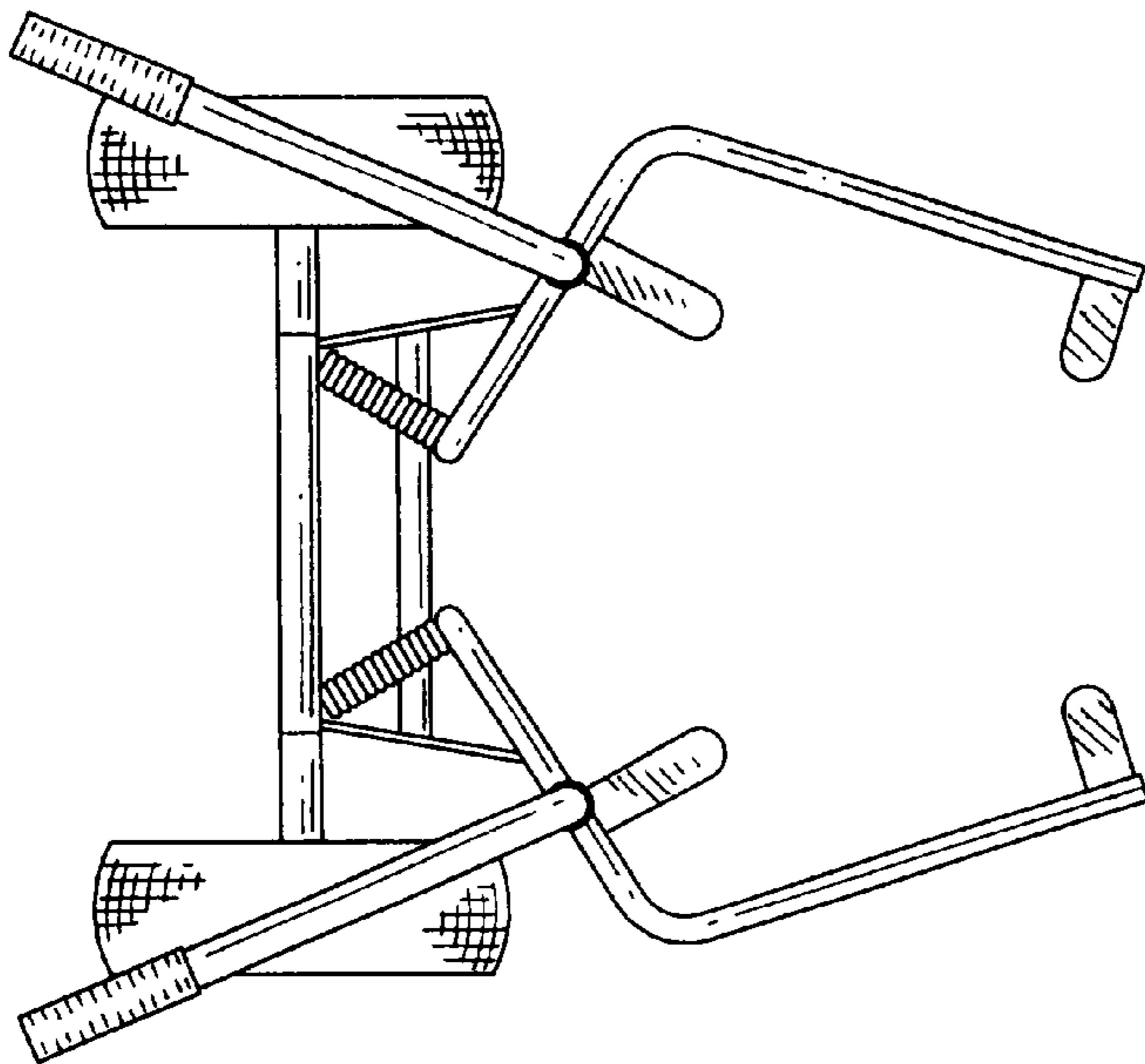


FIG. 3

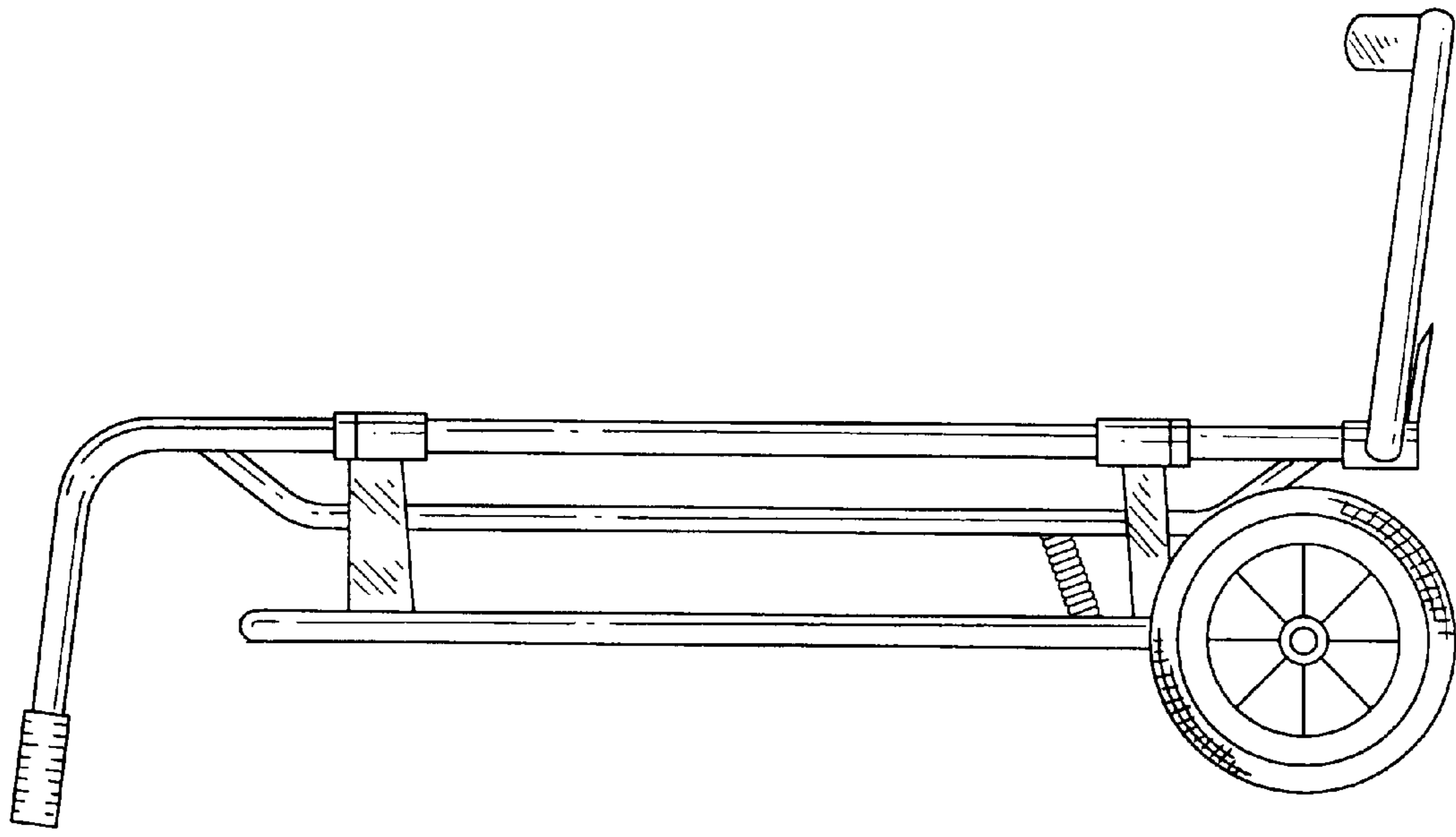


FIG. 6

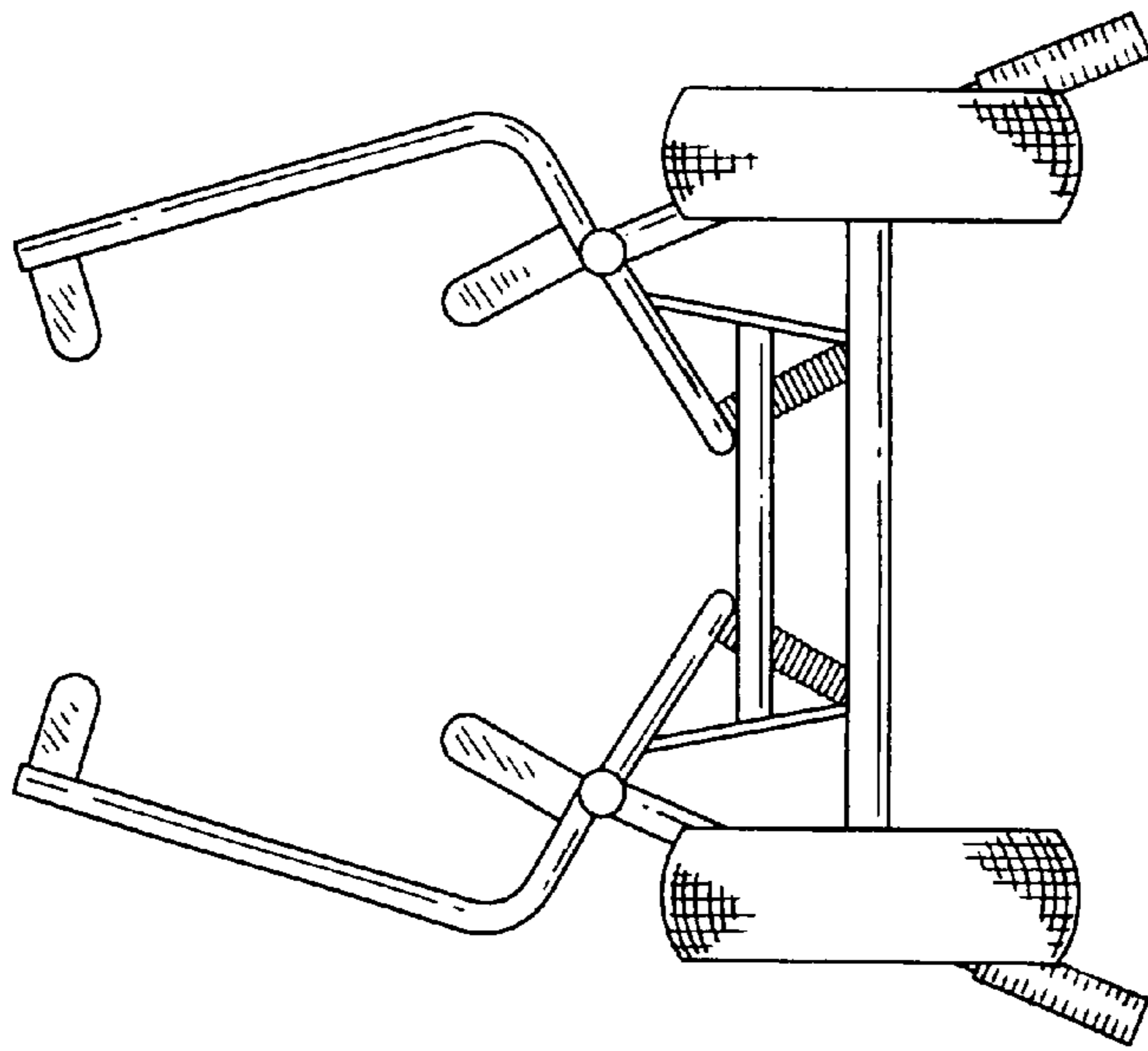


FIG. 5

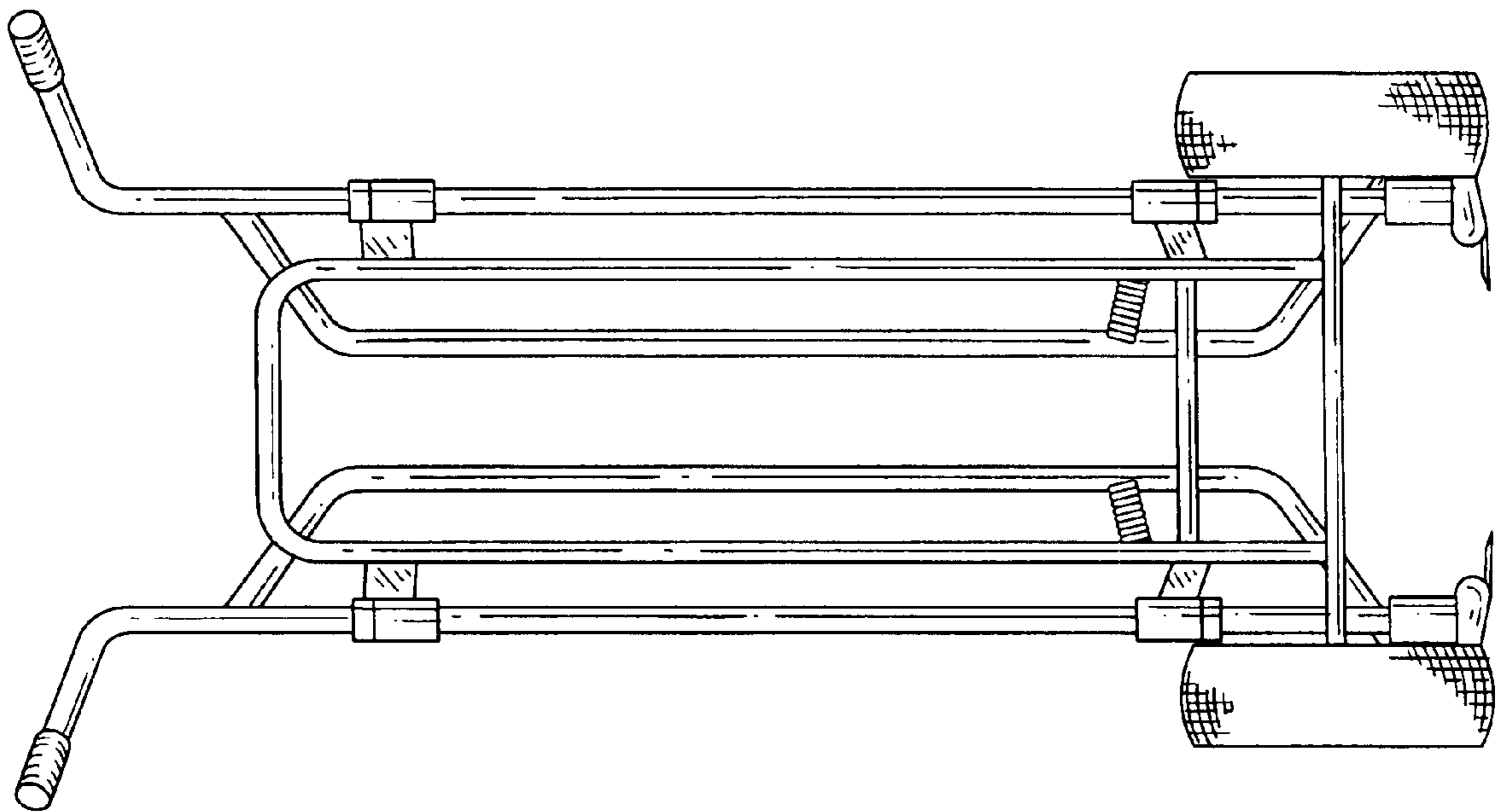


FIG. 7