



US00D466262S

(12) **United States Design Patent**
Chemtob

(10) **Patent No.:** **US D466,262 S**

(45) **Date of Patent:** **** Nov. 26, 2002**

(54) **DUST PAN**

FOREIGN PATENT DOCUMENTS

(75) Inventor: **Andre Chemtob**, Lake Success, NY
(US)

JP 2000-217762 * 8/2000 A47L/13/52

* cited by examiner

(73) Assignee: **Eagle Home Products, Inc.**,
Brentwood, NY (US)

Primary Examiner—Alan P. Douglas

Assistant Examiner—Lavone Tabor

(**) Term: **14 Years**

(74) *Attorney, Agent, or Firm*—Keusey, Tutunjian &
Bitetto, P. C.

(21) Appl. No.: **29/152,798**

(57) **CLAIM**

(22) Filed: **Dec. 27, 2001**

The ornamental design for a dust pan, as shown and
described.

(51) **LOC (7) Cl.** **07-05**

(52) **U.S. Cl.** **D32/74**

(58) **Field of Search** D8/10; D30/162;
D32/74; 15/257.1, 257.2, 257.3, 257.4,
257.5, 257.6, 257.7, 257.8, 257.9; 294/1.3,
55

DESCRIPTION

(56) **References Cited**

U.S. PATENT DOCUMENTS

2,553,727	A	*	5/1951	Schlutz	15/257.2
D184,504	S	*	3/1959	Bliss	D32/74
D367,745	S	*	3/1996	Feldman et al.	D32/74
D394,928	S	*	6/1998	Laib	D32/74
D427,739	S	*	7/2000	Demore	D32/74

FIG. 1 is a perspective view of a dust pan showing my new
design;

FIG. 2 is a top view of the dust pan;

FIG. 3 is a front view of the dust pan;

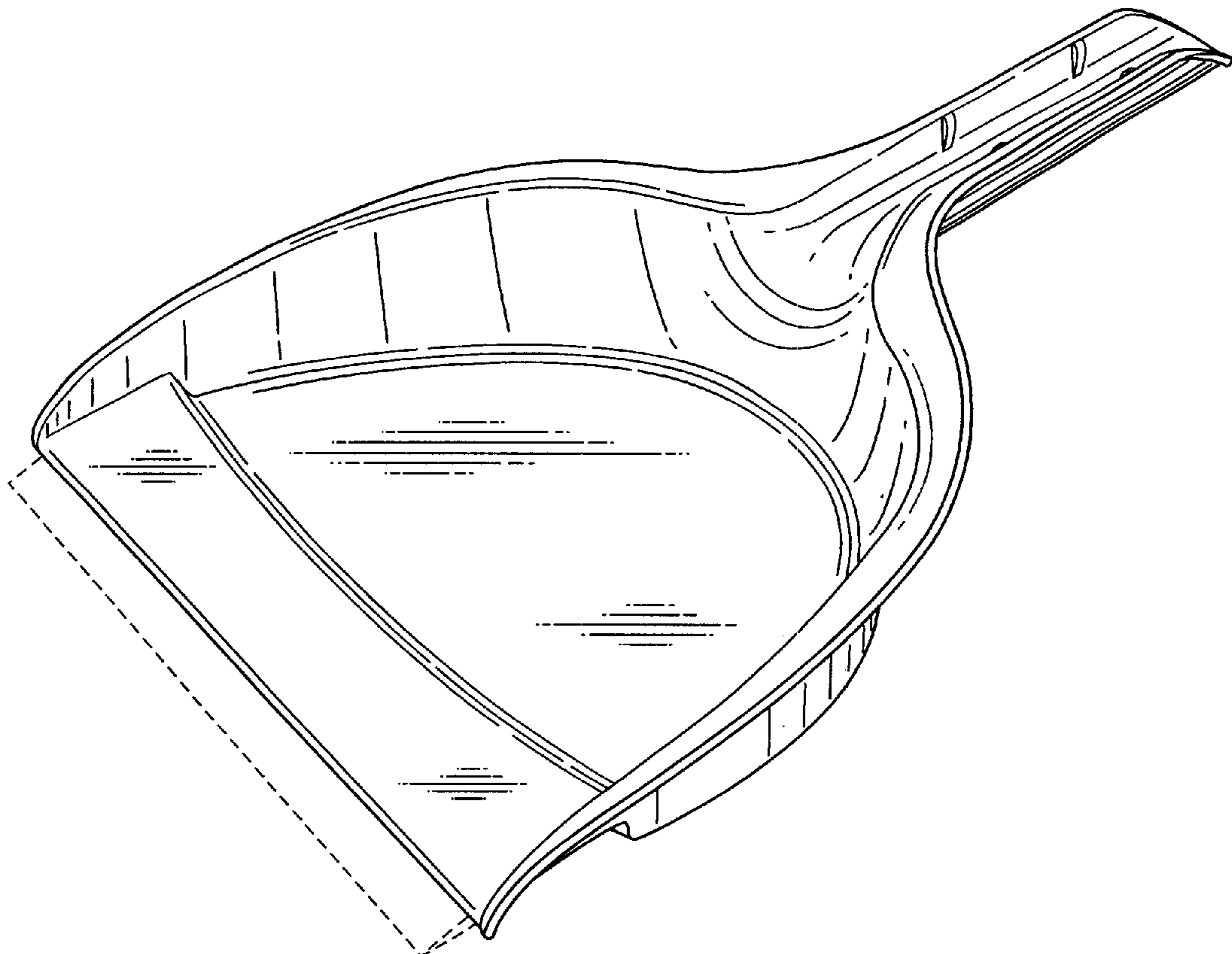
FIG. 4 is a bottom view of the dust pan;

FIG. 5 is a back view of the dust pan; and,

FIG. 6 is a right side view of the handle, the left side view
being a mirror image.

Broken lines shown in the FIGS. are for illustrative purposes
and form no part of the claimed design.

1 Claim, 3 Drawing Sheets



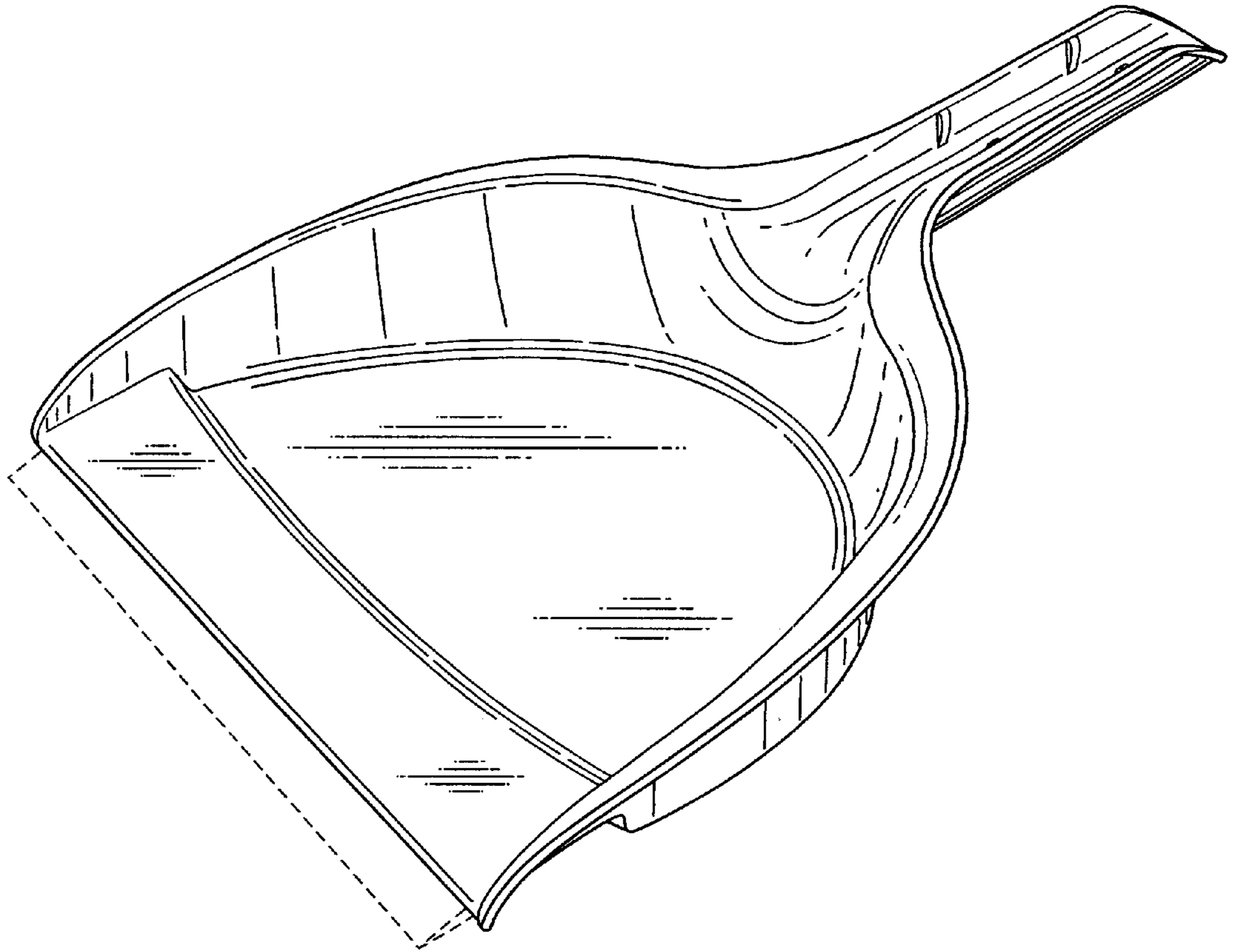


FIG. 1

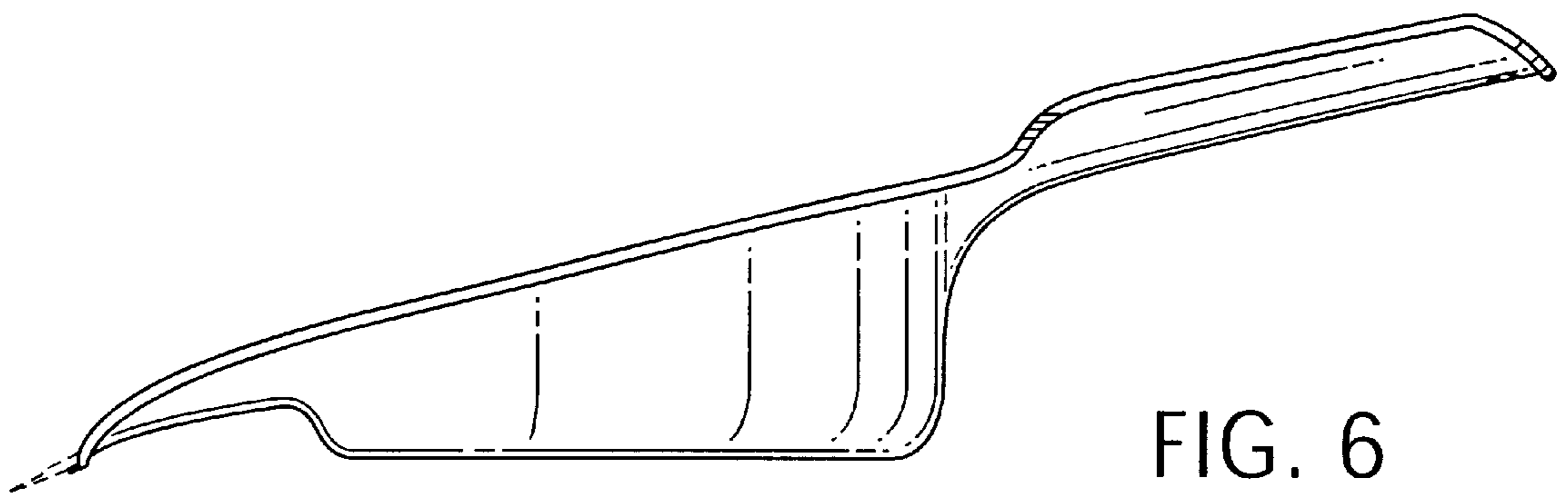


FIG. 6

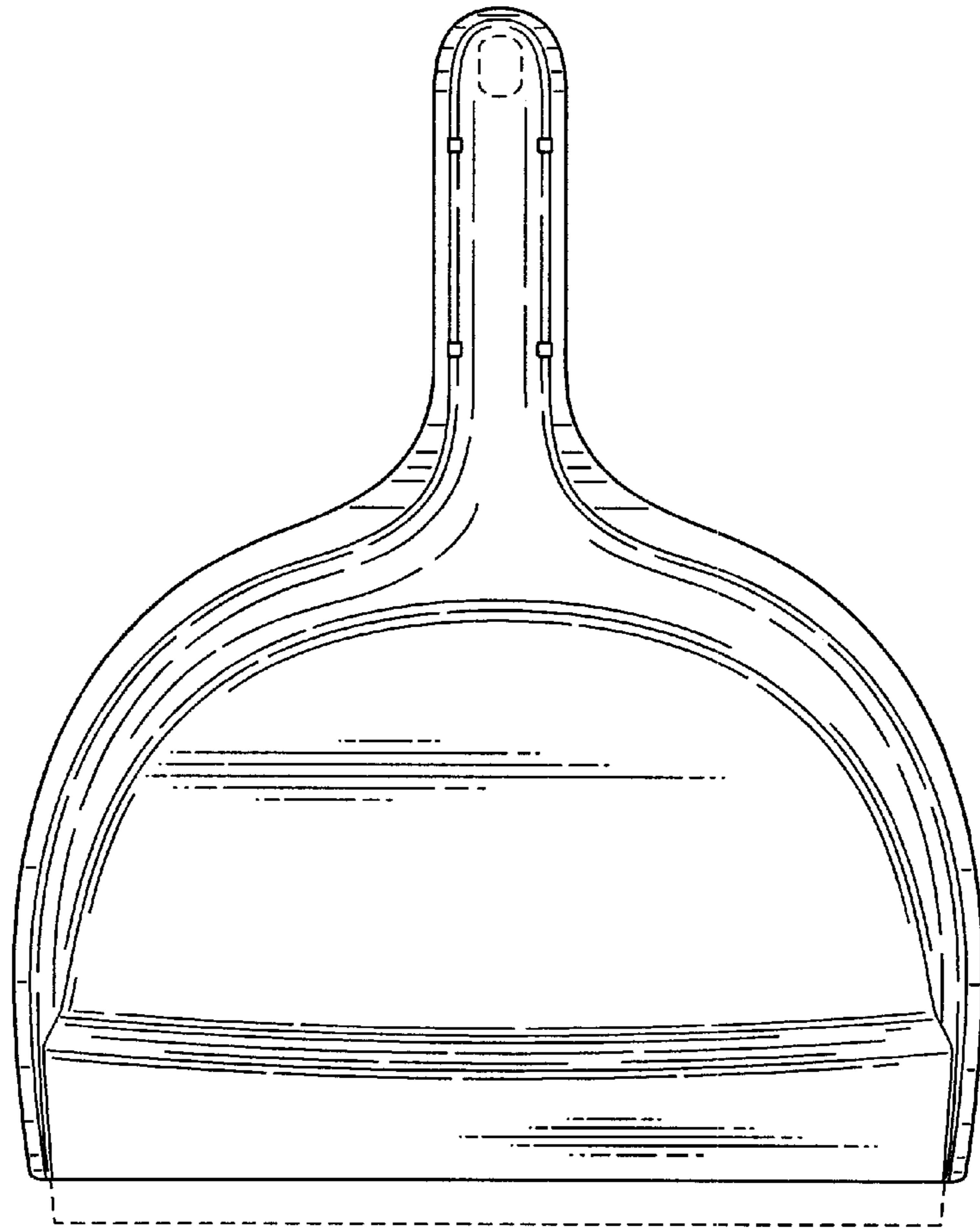


FIG. 2

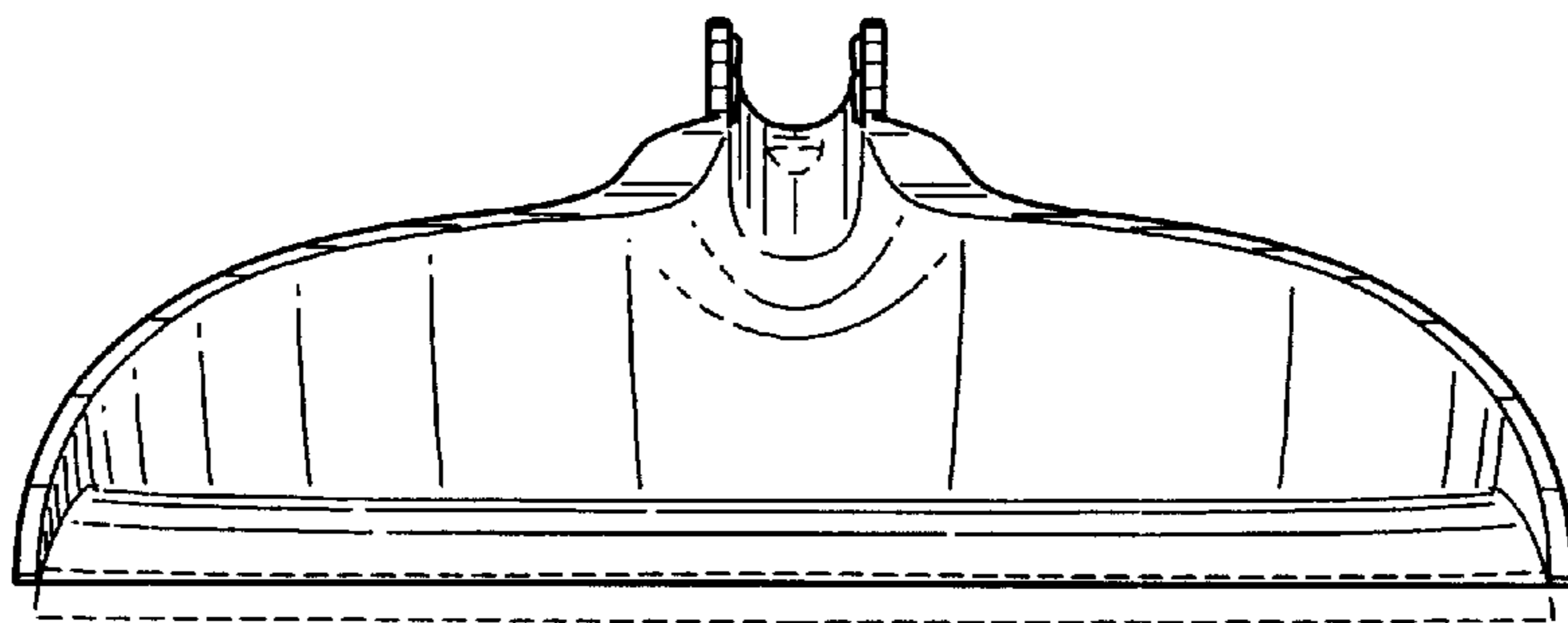


FIG. 3

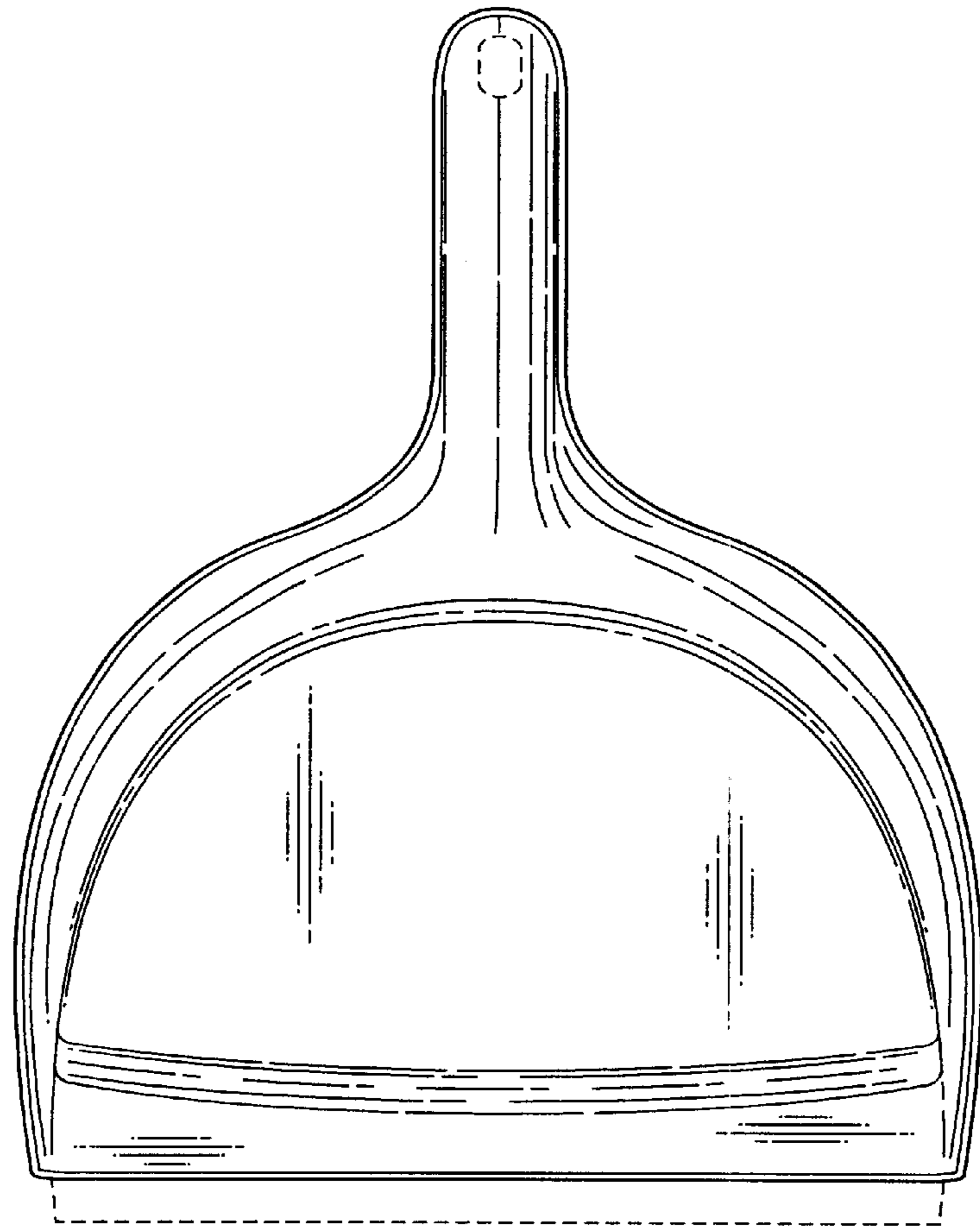


FIG. 4

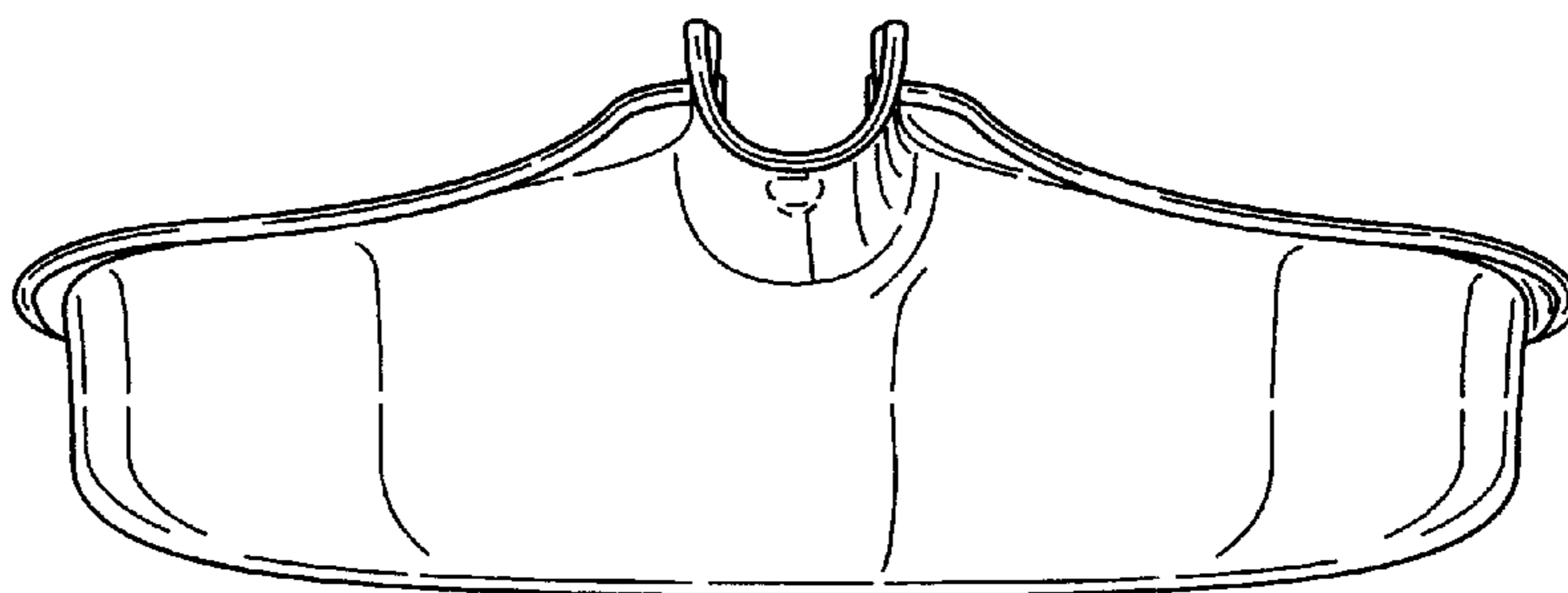


FIG. 5