



US00D466261S

(12) **United States Design Patent**
Wu

(10) **Patent No.:** **US D466,261 S**

(45) **Date of Patent:** **** Nov. 26, 2002**

(54) **IRON WITH STAND**

(75) Inventor: **Tsan-Kuen Wu**, Tainan Hsien (TW)

(73) Assignee: **Eupa International Corporation**, Las Vegas, NV (US)

(**) Term: **14 Years**

(21) Appl. No.: **29/157,176**

(22) Filed: **Mar. 15, 2002**

(51) **LOC (7) Cl.** **07-05**

(52) **U.S. Cl.** **D32/70**

(58) **Field of Search** D32/68-73; 38/74-75,
38/77.1, 77.2, 77.5, 77.6, 77.7, 77.9, 79,
96, 142; 219/245-248, 252, 254, 256, 257,
259

(56) **References Cited**

U.S. PATENT DOCUMENTS

2,317,706	A	*	4/1943	Woodman	38/77.7
D315,433	S	*	3/1991	Chen	D32/68
D315,434	S	*	3/1991	Paulin	D32/68
D374,527	S	*	10/1996	Gudefin	D32/68

D388,921	S	*	1/1998	Doria	D32/73
D443,962	S	*	6/2001	Cahen	D32/68
D452,354	S	*	12/2001	Hsu	D32/70

* cited by examiner

Primary Examiner—Alan P. Douglas

Assistant Examiner—Lavone Tabor

(74) *Attorney, Agent, or Firm*—Fitzpatrick, Cella, Harper & Scinto

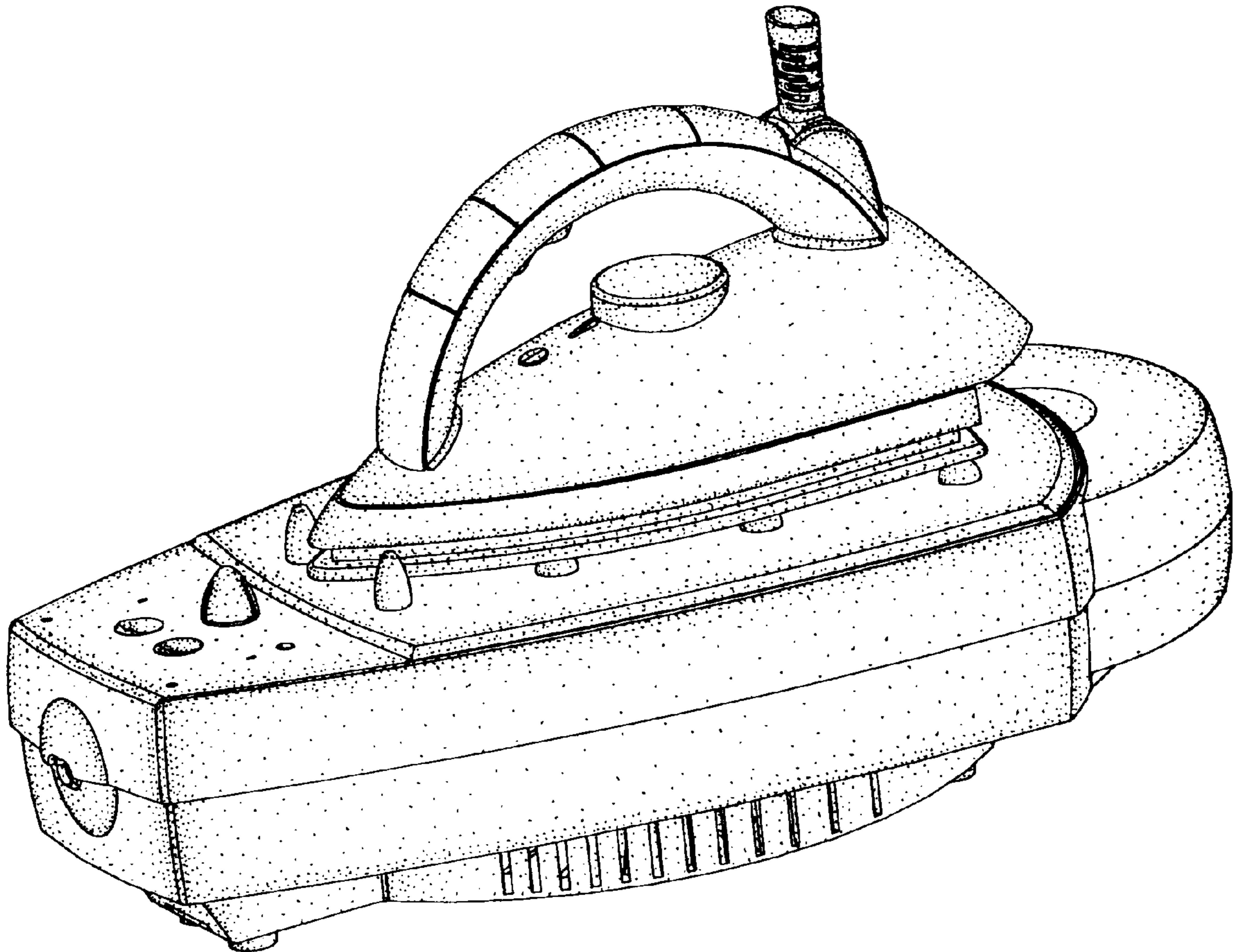
(57) **CLAIM**

The ornamental design for iron with stand, as shown and described.

DESCRIPTION

FIG. 1 is a perspective view of iron with stand showing my new design;
FIG. 2 is a front elevational view thereof;
FIG. 3 is a rear elevational view thereof;
FIG. 4 is a left side elevational view thereof;
FIG. 5 is a right side elevational view thereof;
FIG. 6 is a top plan view thereof; and,
FIG. 7 is a bottom plan view thereof.

1 Claim, 4 Drawing Sheets



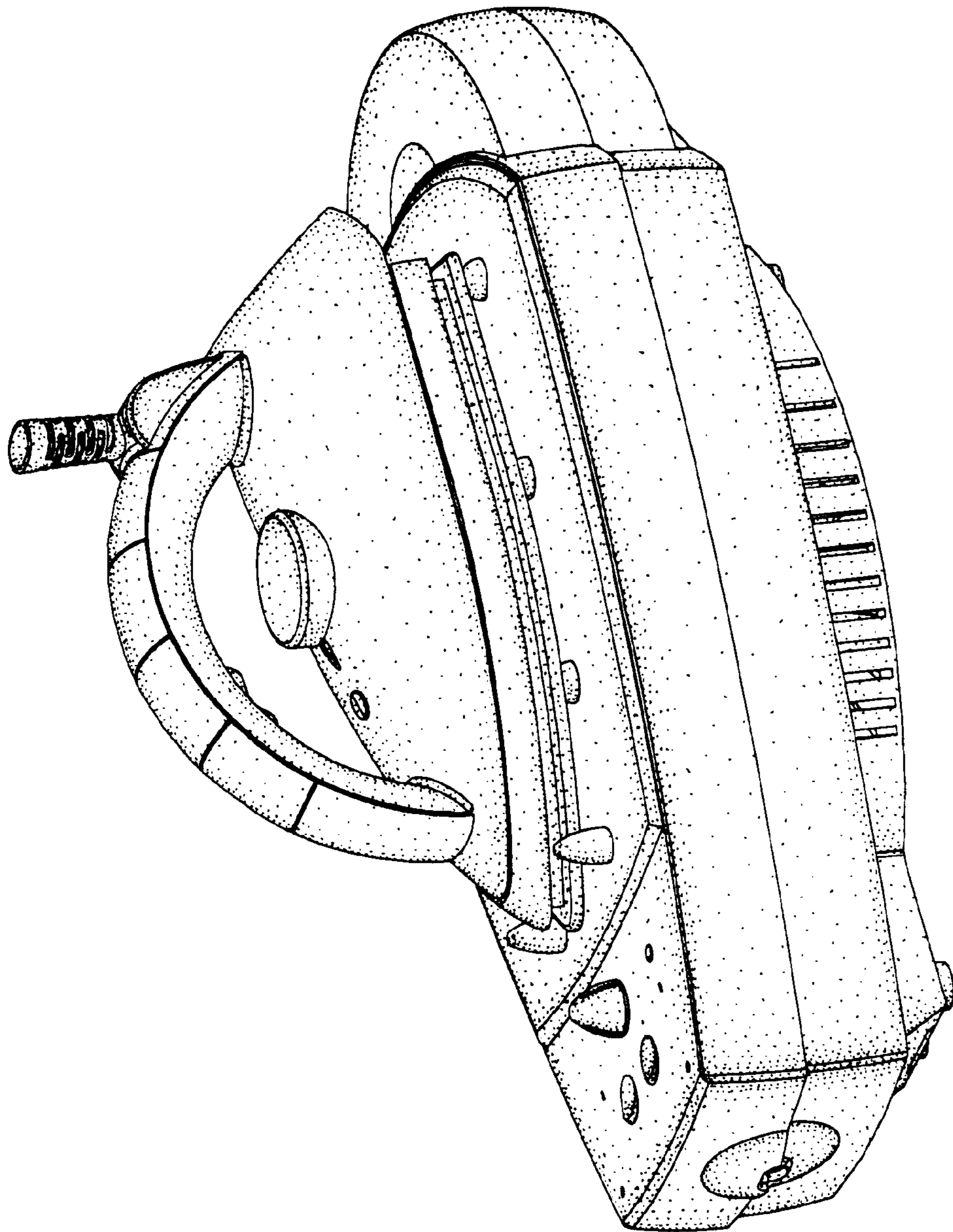


FIG. 1

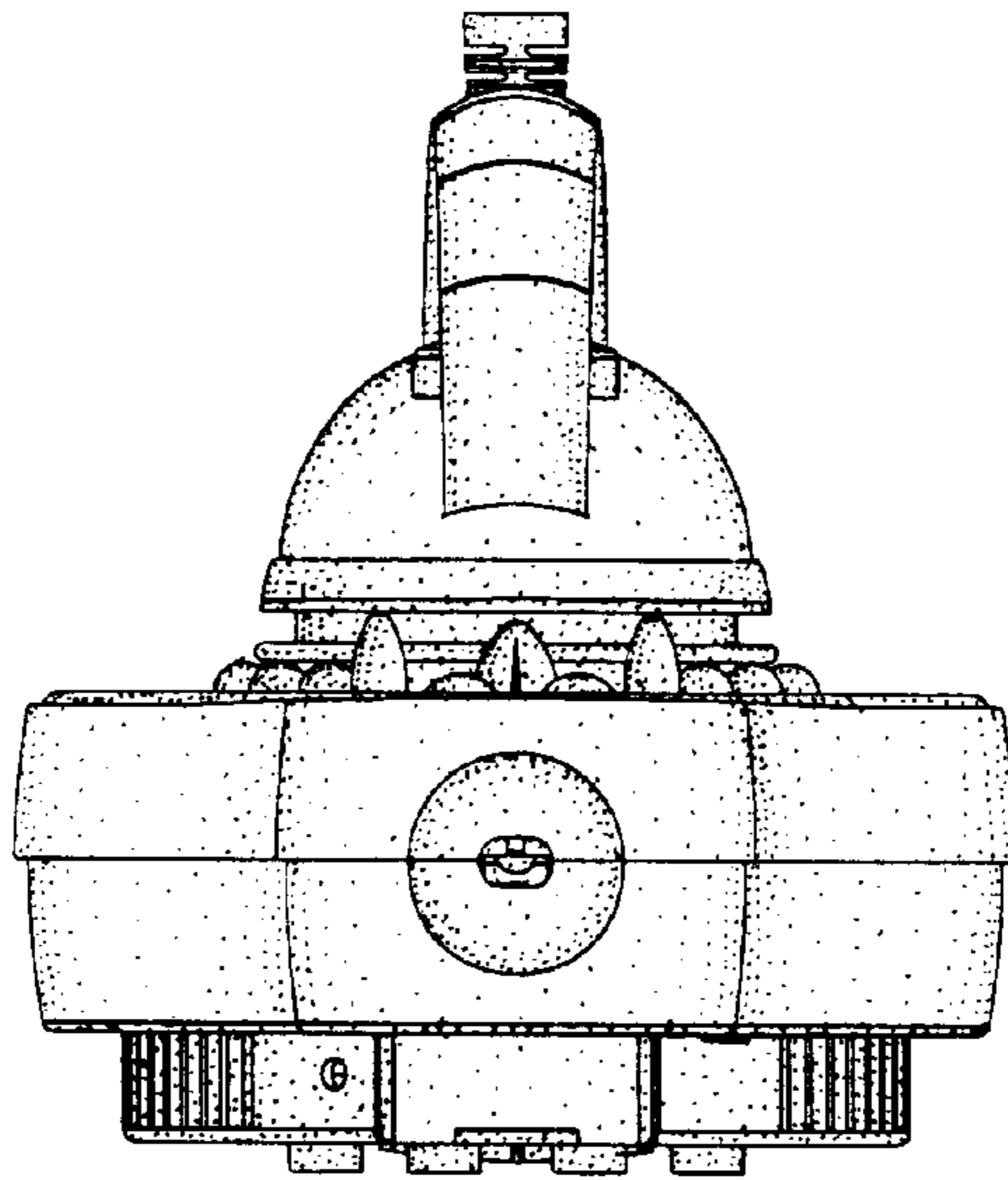


FIG. 2

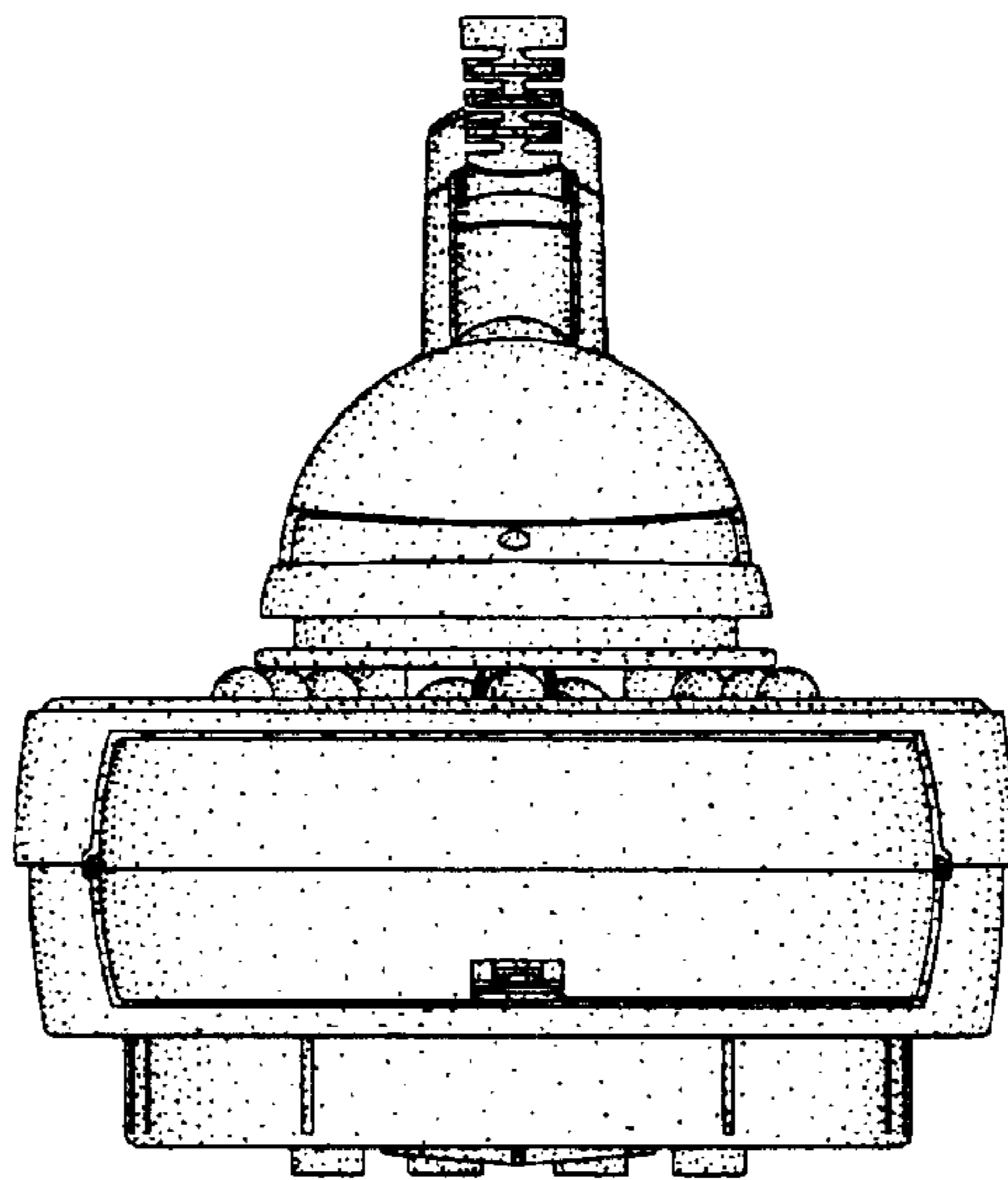


FIG. 3

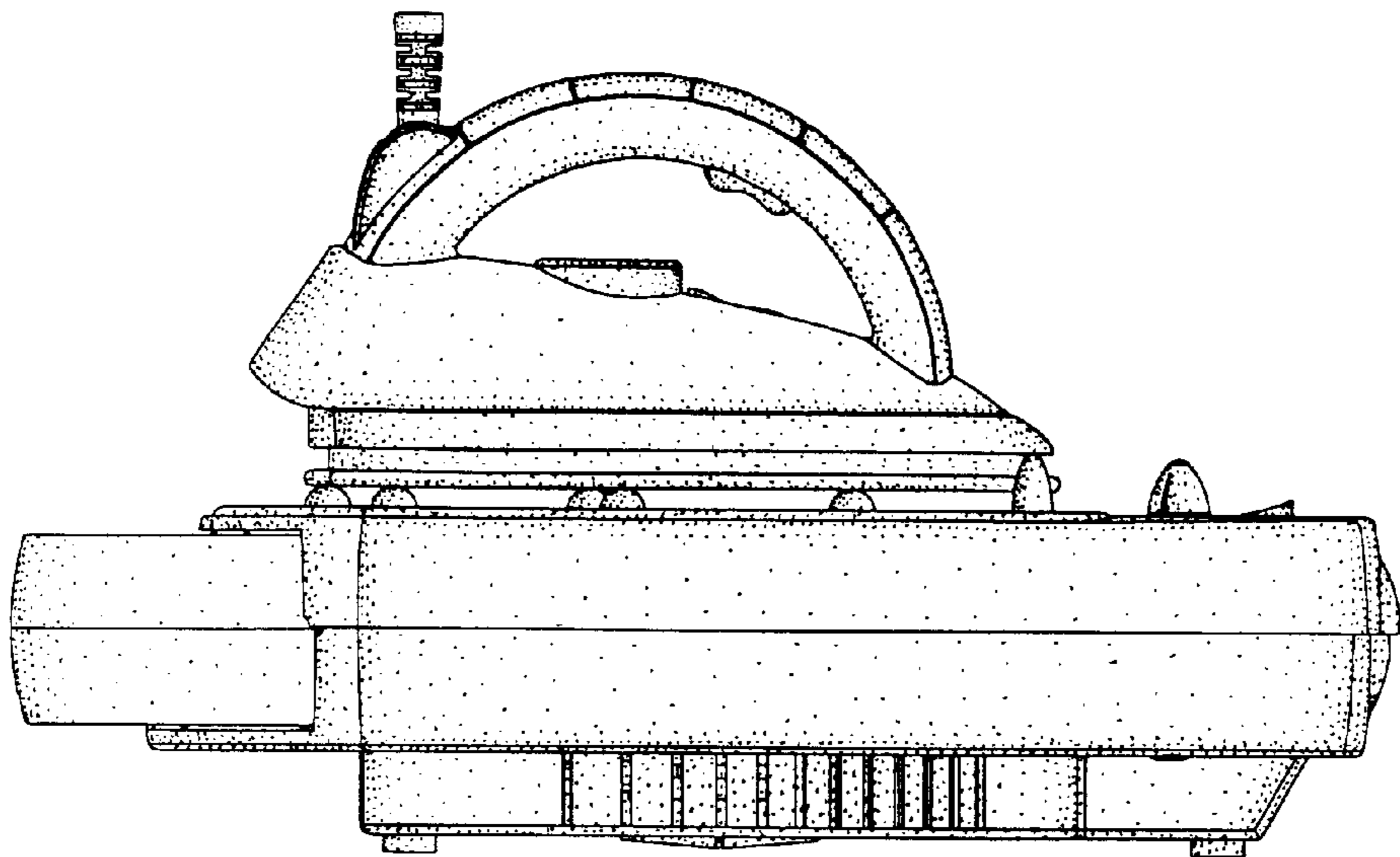


FIG. 4

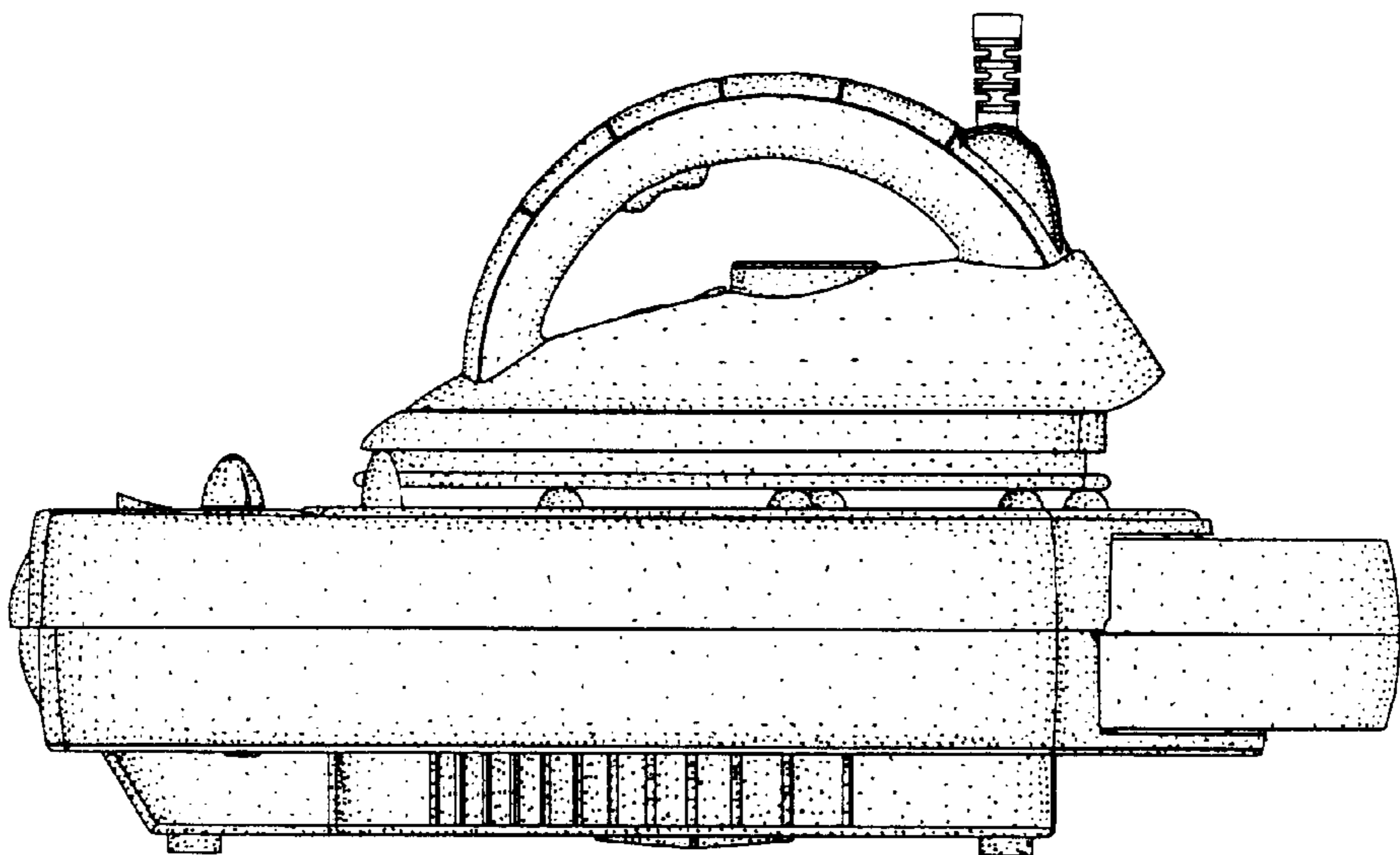


FIG. 5

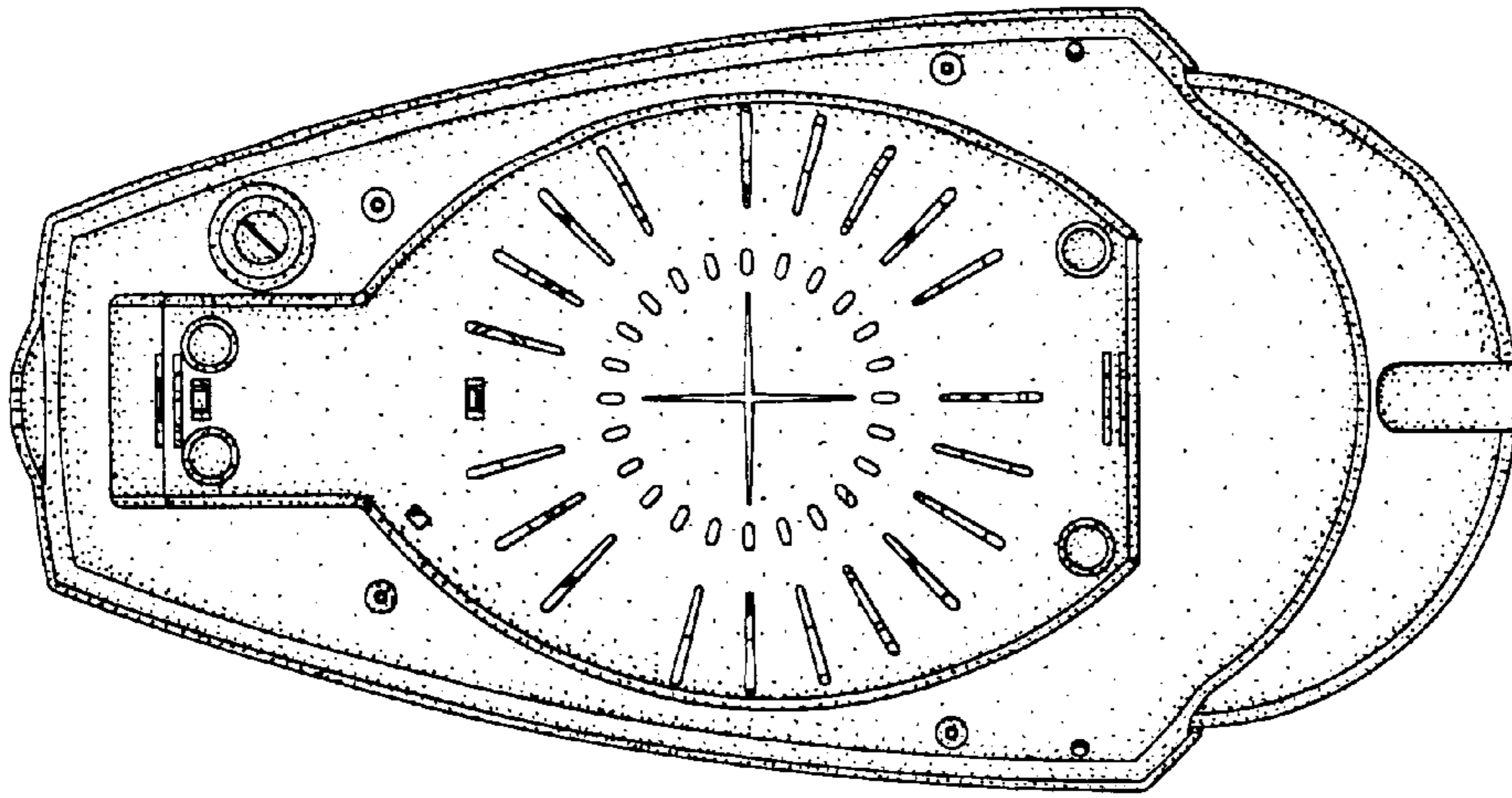


FIG. 7

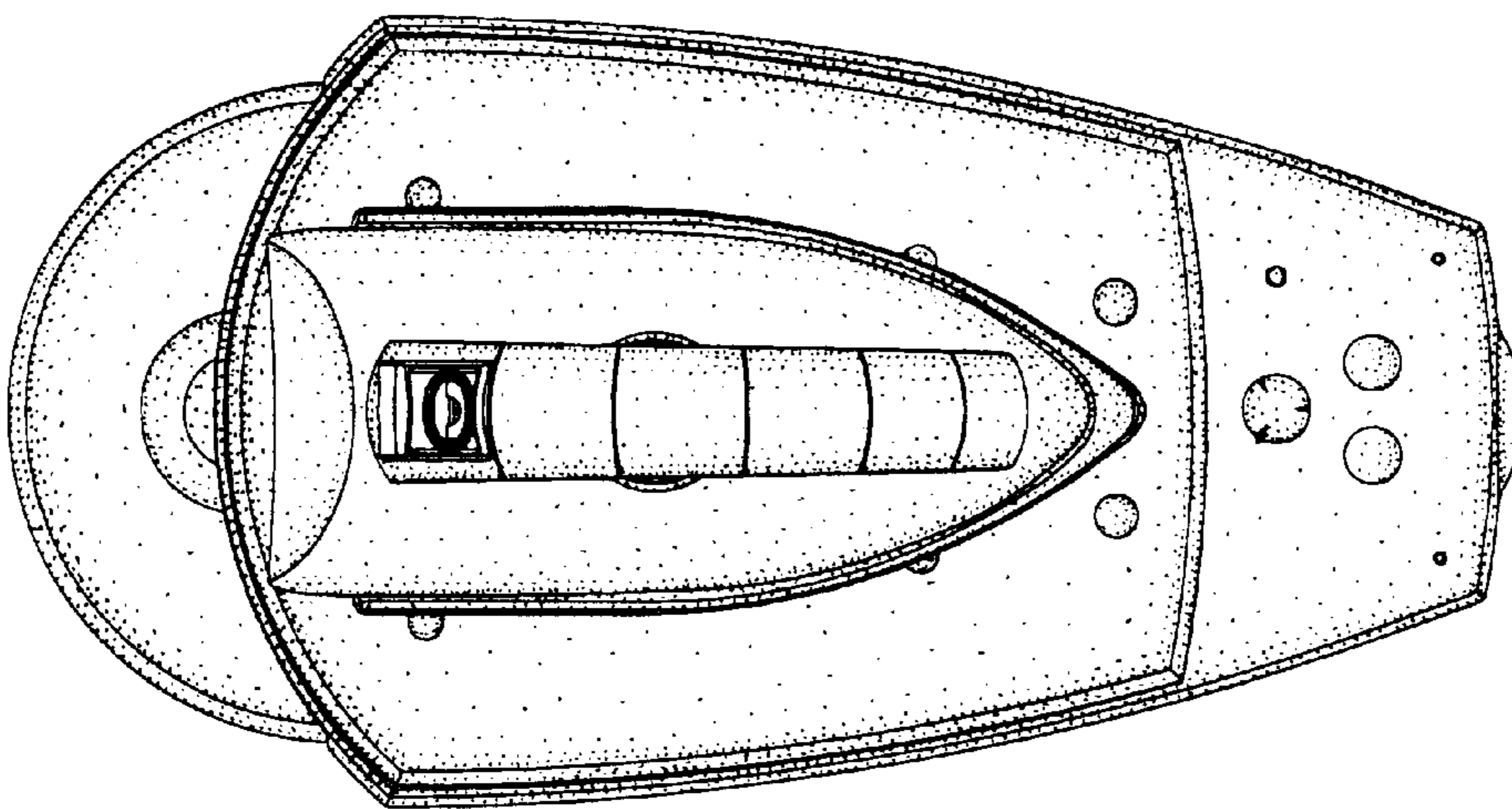


FIG. 6