



US00D466260S

(12) **United States Design Patent**
Wu

(10) **Patent No.:** **US D466,260 S**

(45) **Date of Patent:** **** Nov. 26, 2002**

(54) **ELECTRIC IRON**

(75) **Inventor:** **Tsan-Kuen Wu, Tainan Hsien (TW)**

(73) **Assignee:** **Tsann Kuen USA Inc., Pasadena, CA (US)**

(**) **Term:** **14 Years**

(21) **Appl. No.:** **29/141,802**

(22) **Filed:** **May 11, 2001**

(51) **LOC (7) Cl.** **07-05**

(52) **U.S. Cl.** **D32/69**

(58) **Field of Search** D32/68, 69, 70;
219/245, 249; 38/69, 74, 75, 77.1, 77.4,
77.5, 77.7, 77.8

(56) **References Cited**

U.S. PATENT DOCUMENTS

D205,903 S * 10/1966 Marshall et al. D32/69
D323,047 S * 1/1992 O'Flynn D32/70

D370,102 S * 5/1996 Muller D32/69
D371,878 S * 7/1996 Muller D32/69
D418,649 S * 1/2000 Stutzer et al. D32/70

* cited by examiner

Primary Examiner—Cynthia E. Ramirez

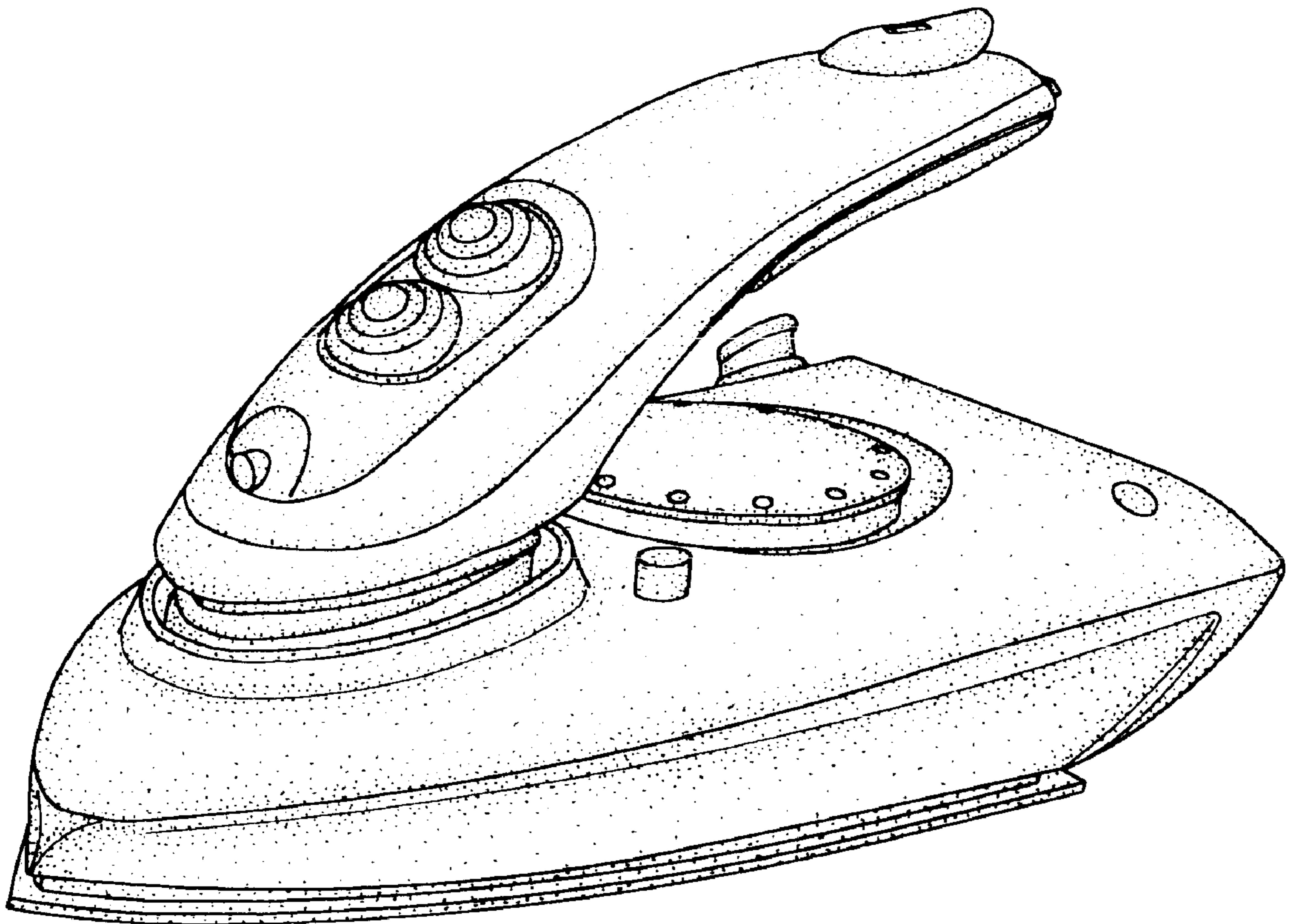
(57) **CLAIM**

The ornamental design for electric iron, as shown and described.

DESCRIPTION

FIG. 1 is a perspective view of electric iron showing my new design;
FIG. 2 is a front elevational view thereof;
FIG. 3 is a rear elevational view thereof;
FIG. 4 is a left side elevational view thereof;
FIG. 5 is a right side elevational view thereof;
FIG. 6 is a top plan view thereof; and,
FIG. 7 is a bottom plan view thereof.

1 Claim, 4 Drawing Sheets



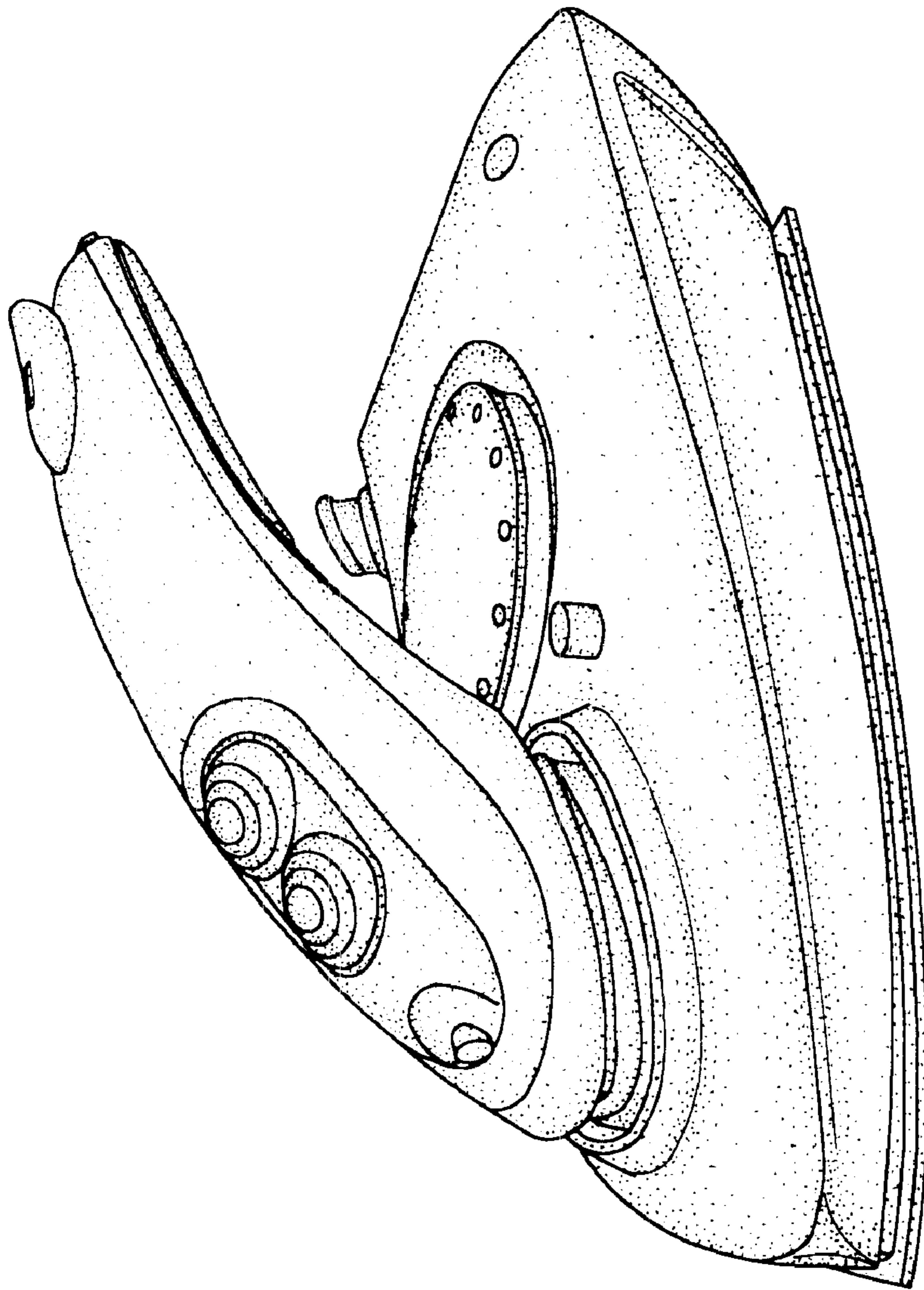


FIG. 1

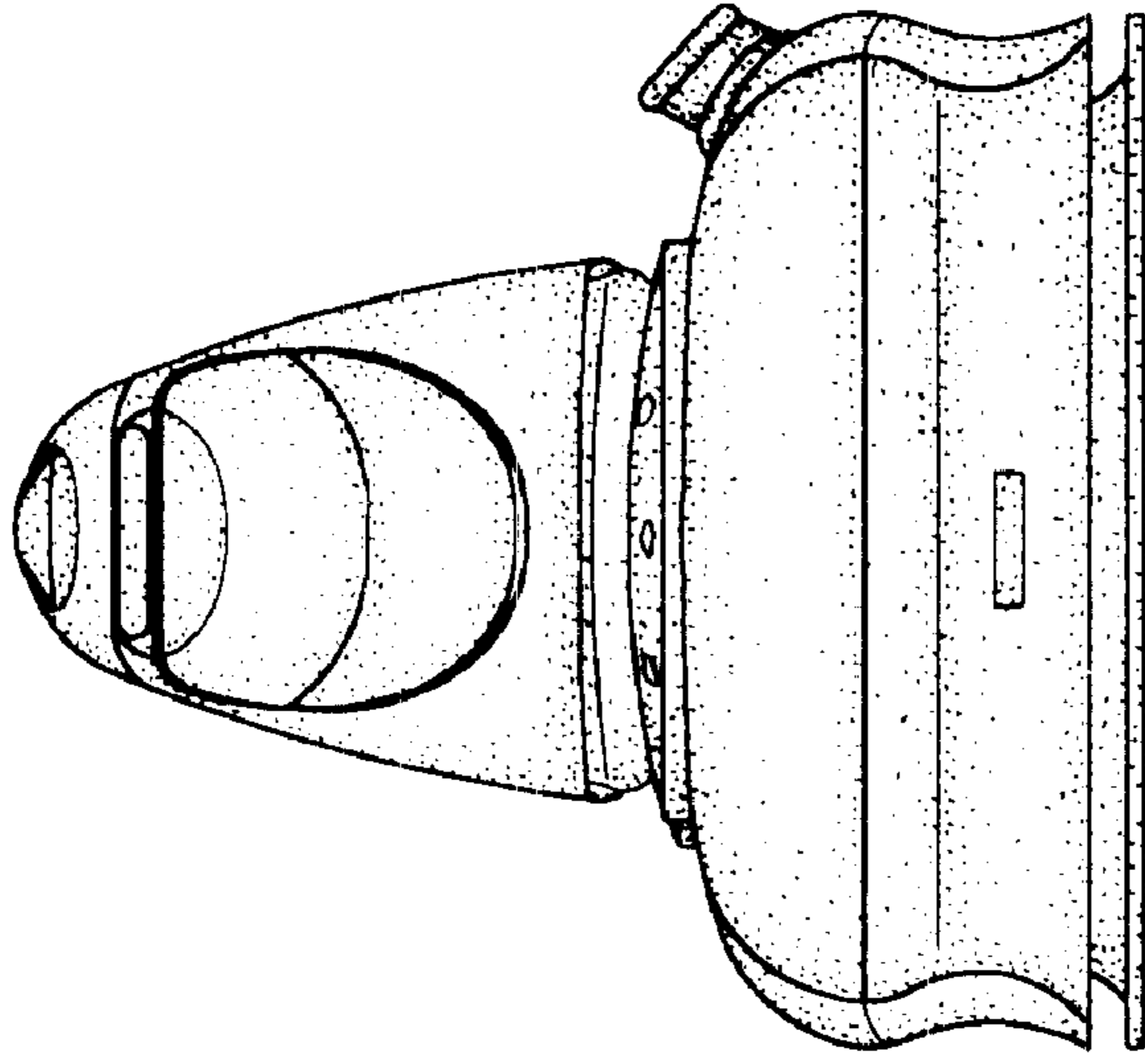


FIG. 2

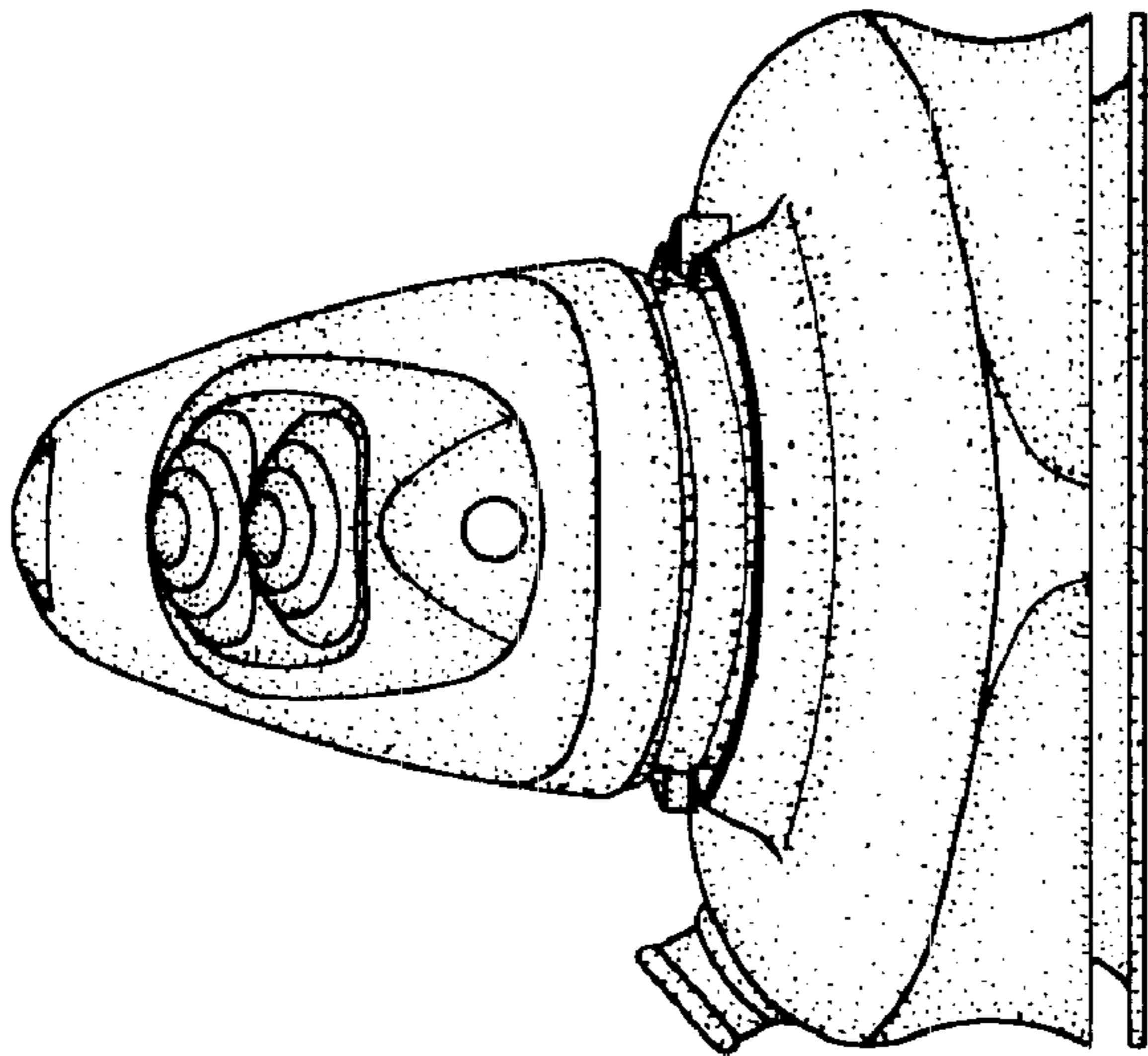


FIG. 3

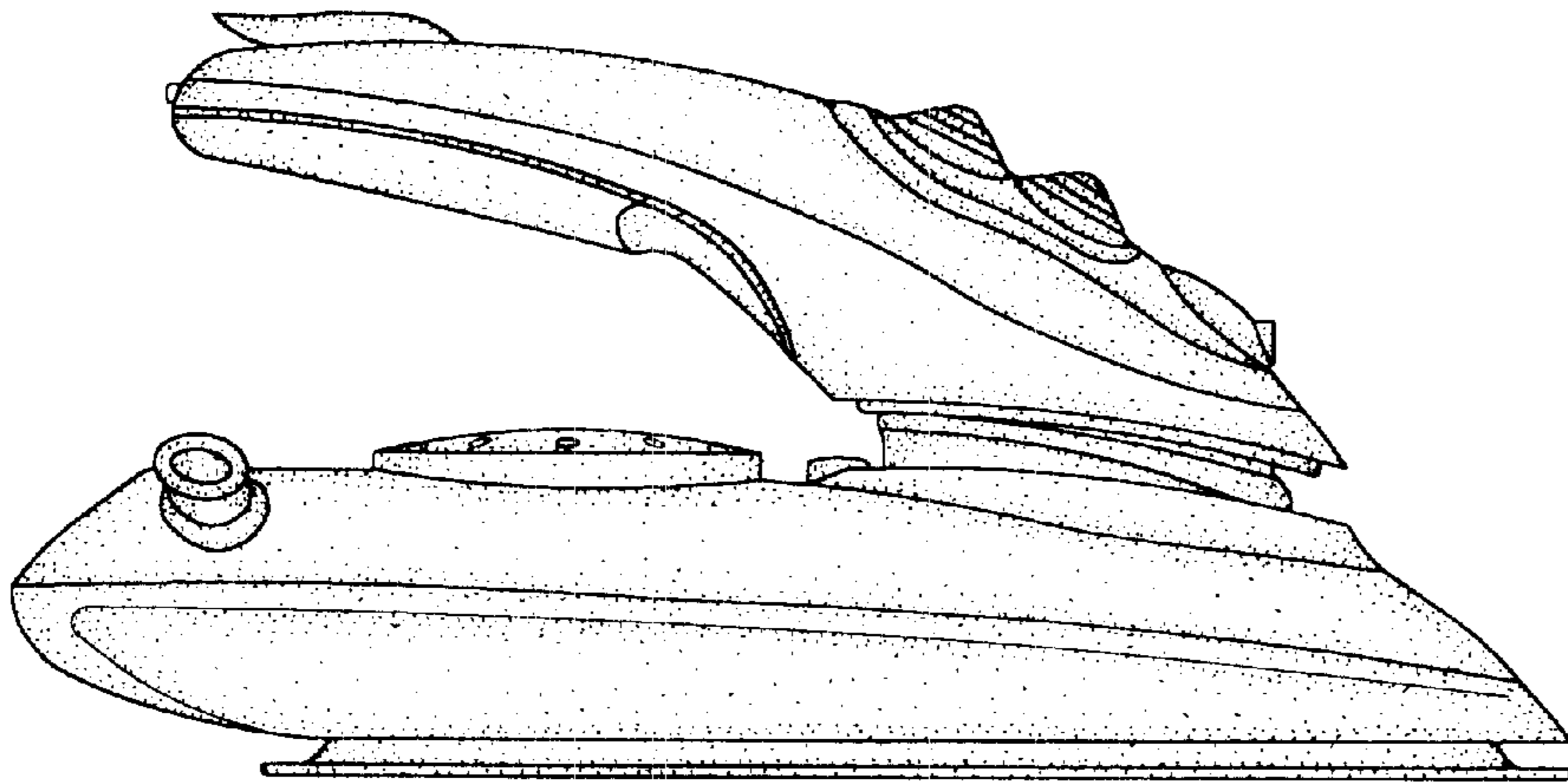


FIG. 4

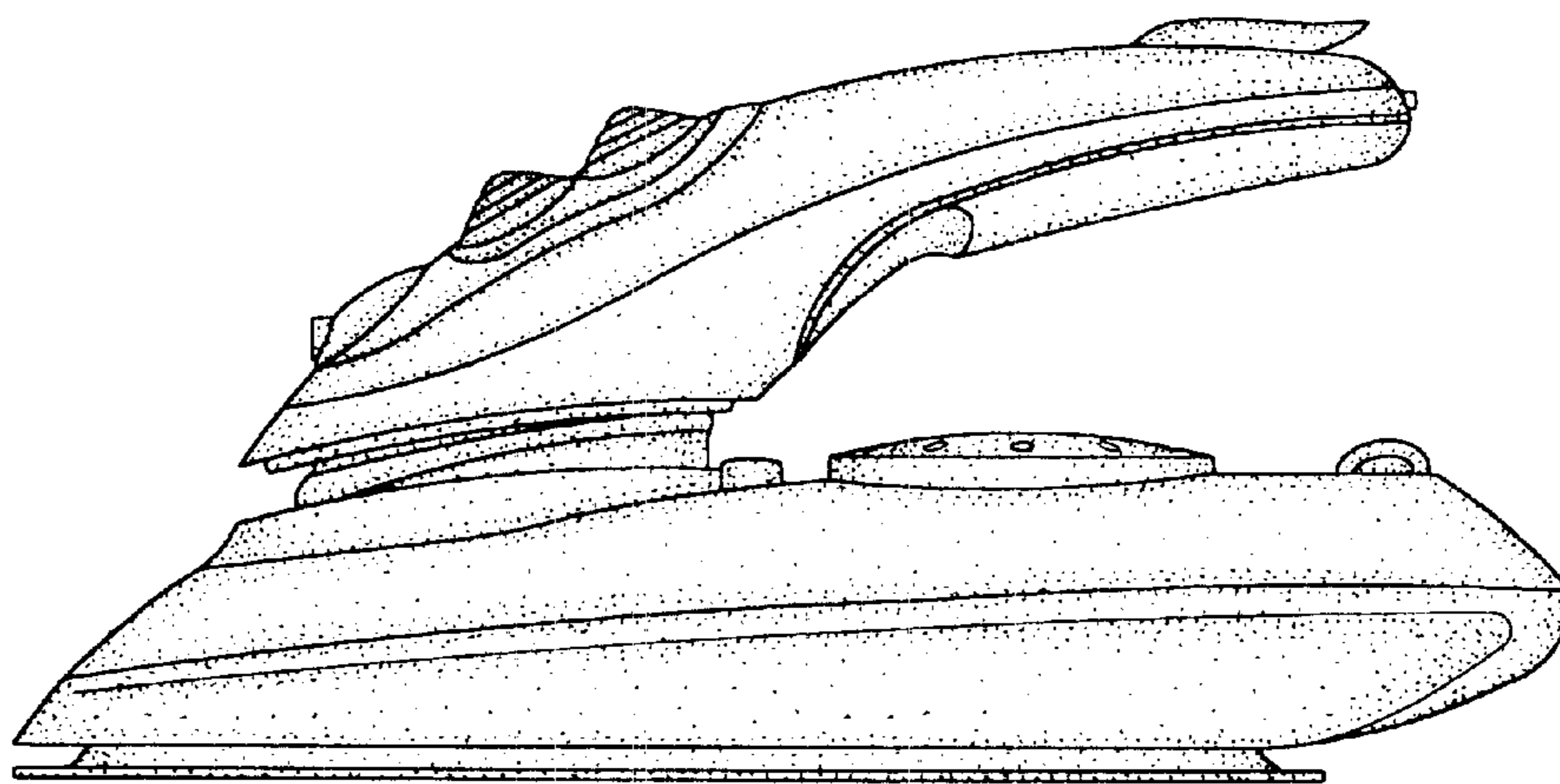


FIG. 5

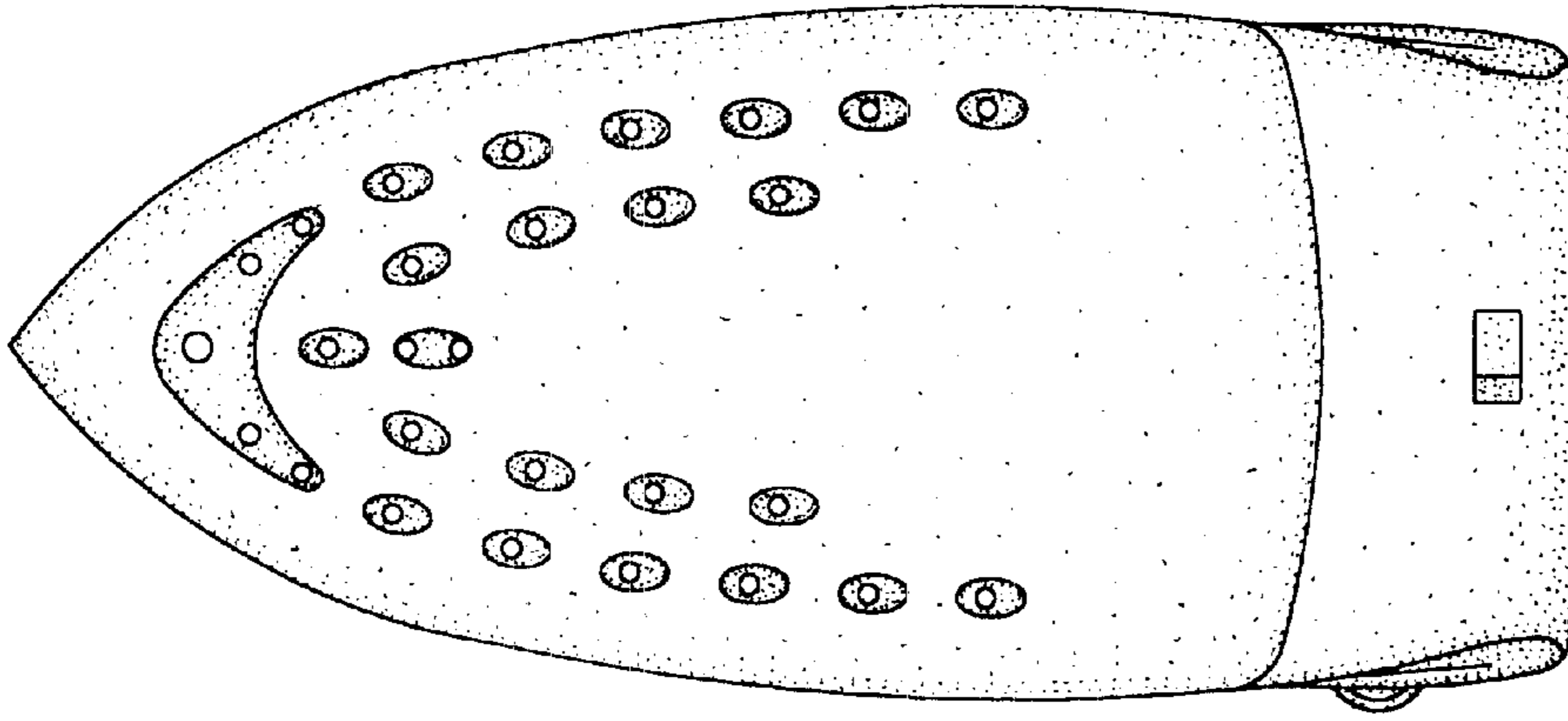


FIG. 6

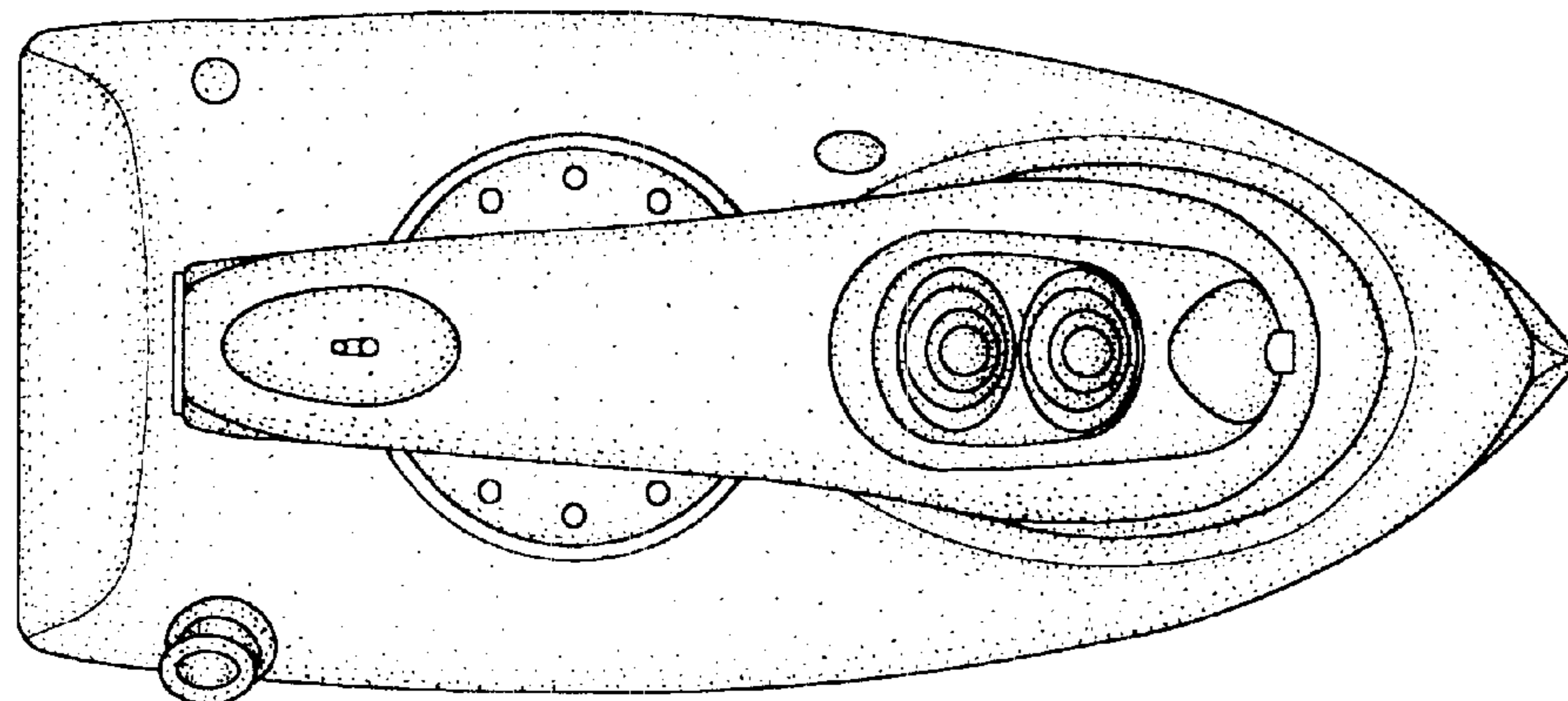


FIG. 7