



US00D466259S

(12) **United States Design Patent**
Wang

(10) **Patent No.:** **US D466,259 S**

(45) **Date of Patent:** **** Nov. 26, 2002**

(54) **MAGNETIC CLEANING SCRAP-SLAB FOR AQUARIUM**

6,202,978 B1 * 3/2001 Tsui 119/245 X
6,348,104 B1 * 2/2002 Bakker 119/264 X

(75) **Inventor:** **Chiao-Ming Wang, Taichung Hsien (TW)**

FOREIGN PATENT DOCUMENTS

GB 2105977 * 4/1983 A47L/1/09

(73) **Assignee:** **Meiko Pet Corporation, Taichung Hsien (TW)**

* cited by examiner

(**) **Term:** **14 Years**

Primary Examiner—Alan P. Douglas

Assistant Examiner—Lavone Tabor

(74) *Attorney, Agent, or Firm*—Rosenberg, Klein & Lee

(21) **Appl. No.:** **29/151,270**

(57) **CLAIM**

(22) **Filed:** **Dec. 6, 2001**

The ornamental design for a magnetic cleaning scrap-slab for aquarium, as shown and described.

(51) **LOC (7) Cl.** **08-99**

DESCRIPTION

(52) **U.S. Cl.** **D32/35; D32/52**

(58) **Field of Search** D32/35, 40, 46, D32/52; D30/199; 15/209.1, 210.1, 220.1, 220.2, 232, 235.4; 119/245, 264

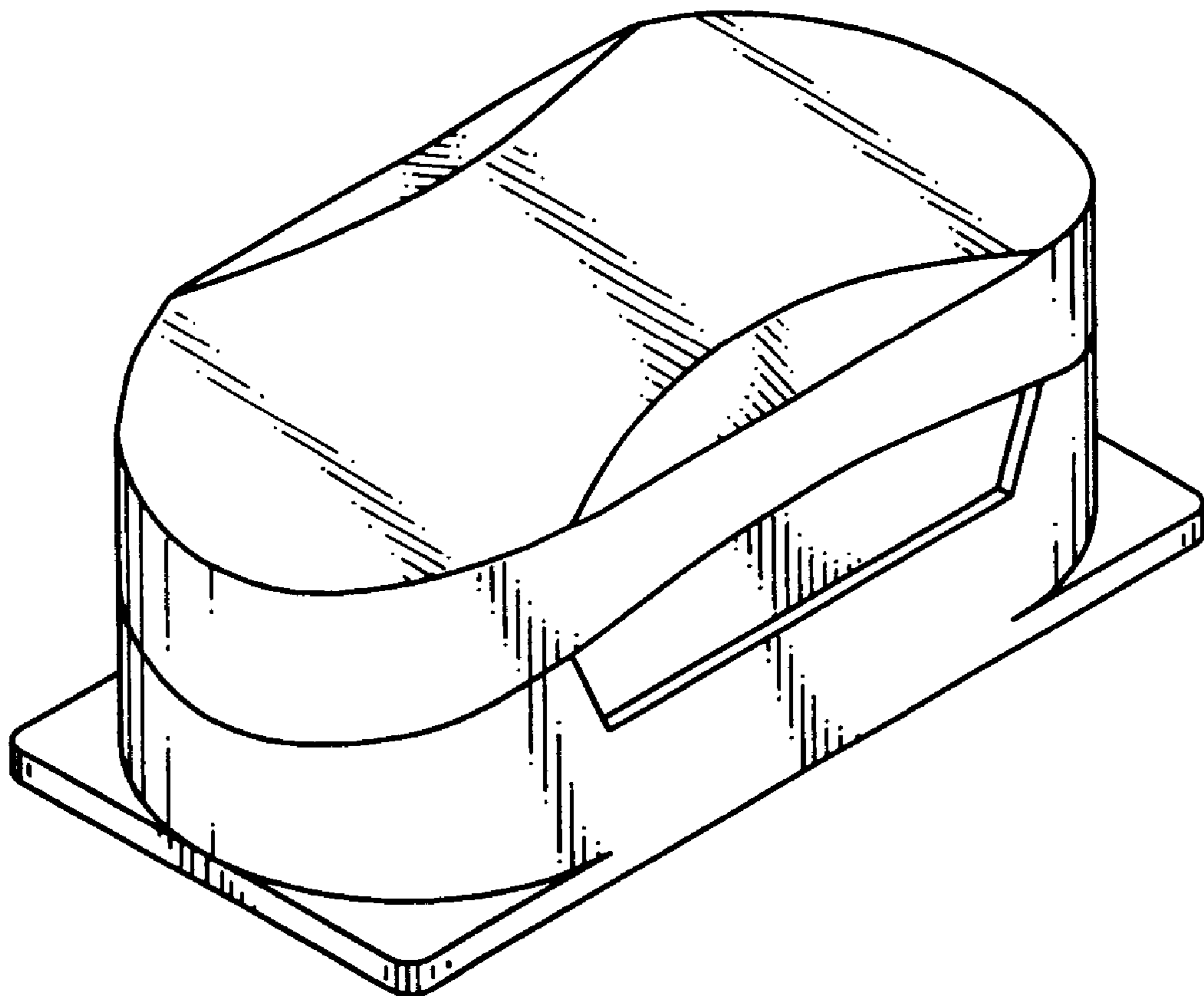
FIG. 1 is a perspective view of magnetic cleaning scrap-slab for aquarium showing my new design; FIG. 2 is a front elevation view thereof; FIG. 3 is a rear elevation view thereof; FIG. 4 is a left side elevation view thereof; FIG. 5 is a right side elevation view thereof; FIG. 6 is a top plan view thereof; and, FIG. 7 is a bottom plan view thereof.

(56) **References Cited**

U.S. PATENT DOCUMENTS

1,273,434 A * 7/1918 White 15/232
3,922,747 A * 12/1975 Kaftan 15/220.2
4,977,637 A * 12/1990 Demers 15/220.2 X
5,988,109 A * 11/1999 Rofen 119/245

1 Claim, 3 Drawing Sheets



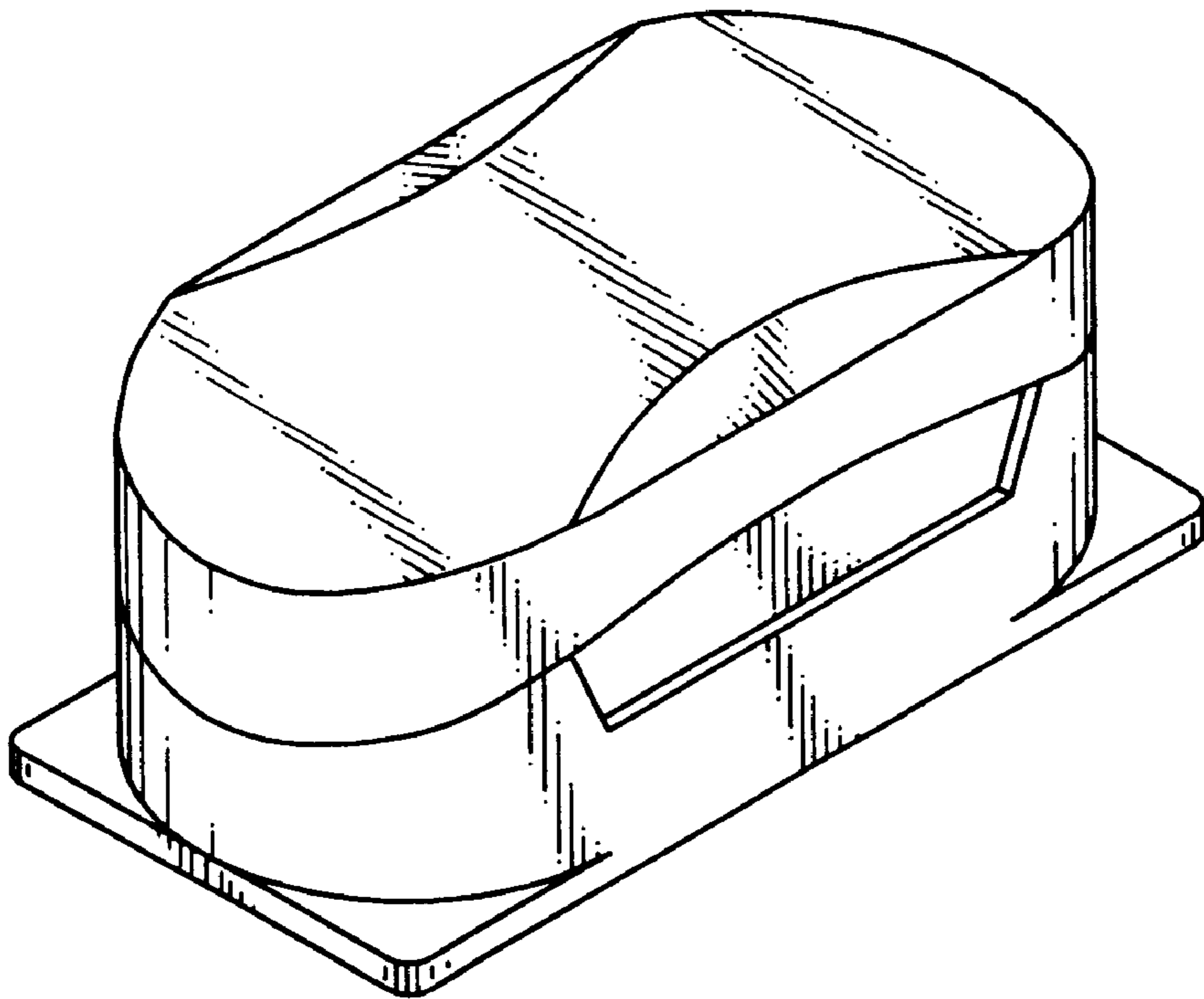


FIG. 1

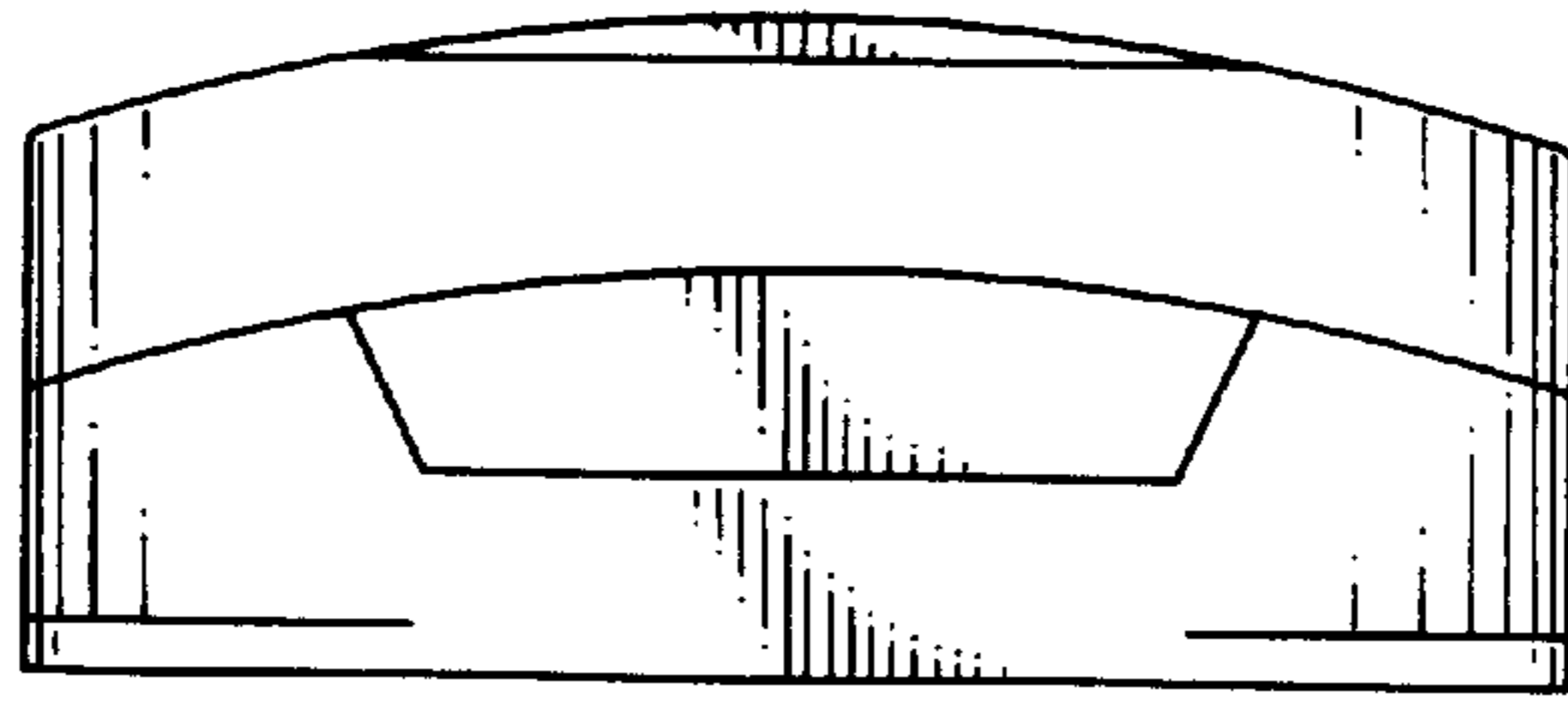


FIG. 2

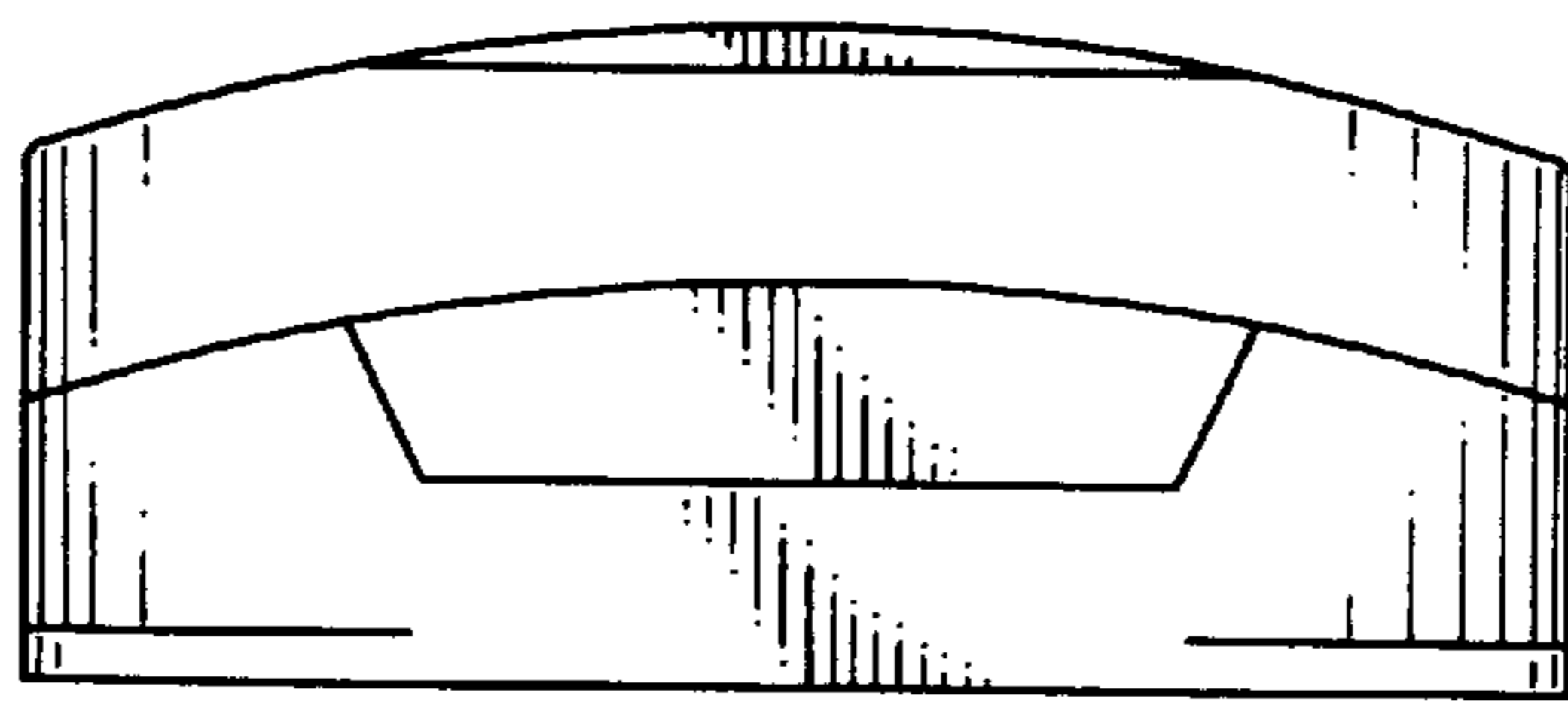


FIG. 3

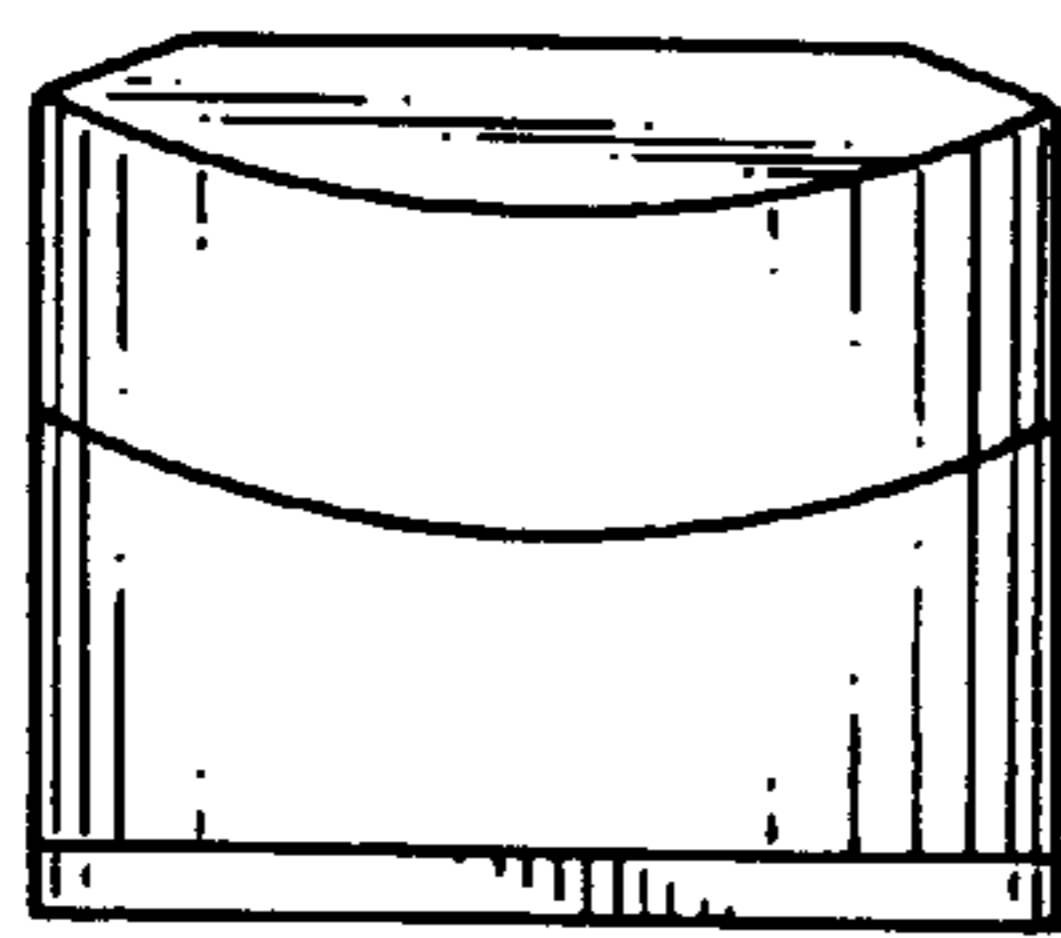


FIG. 4

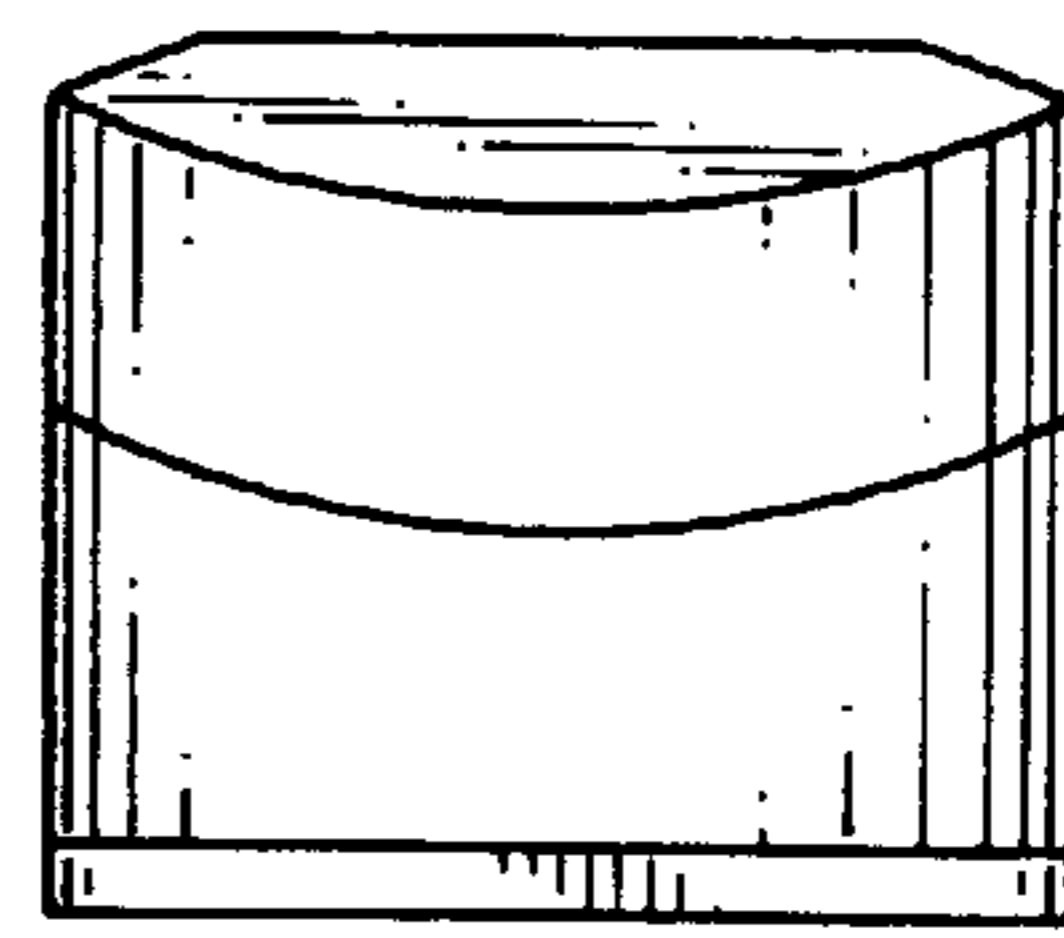


FIG. 5

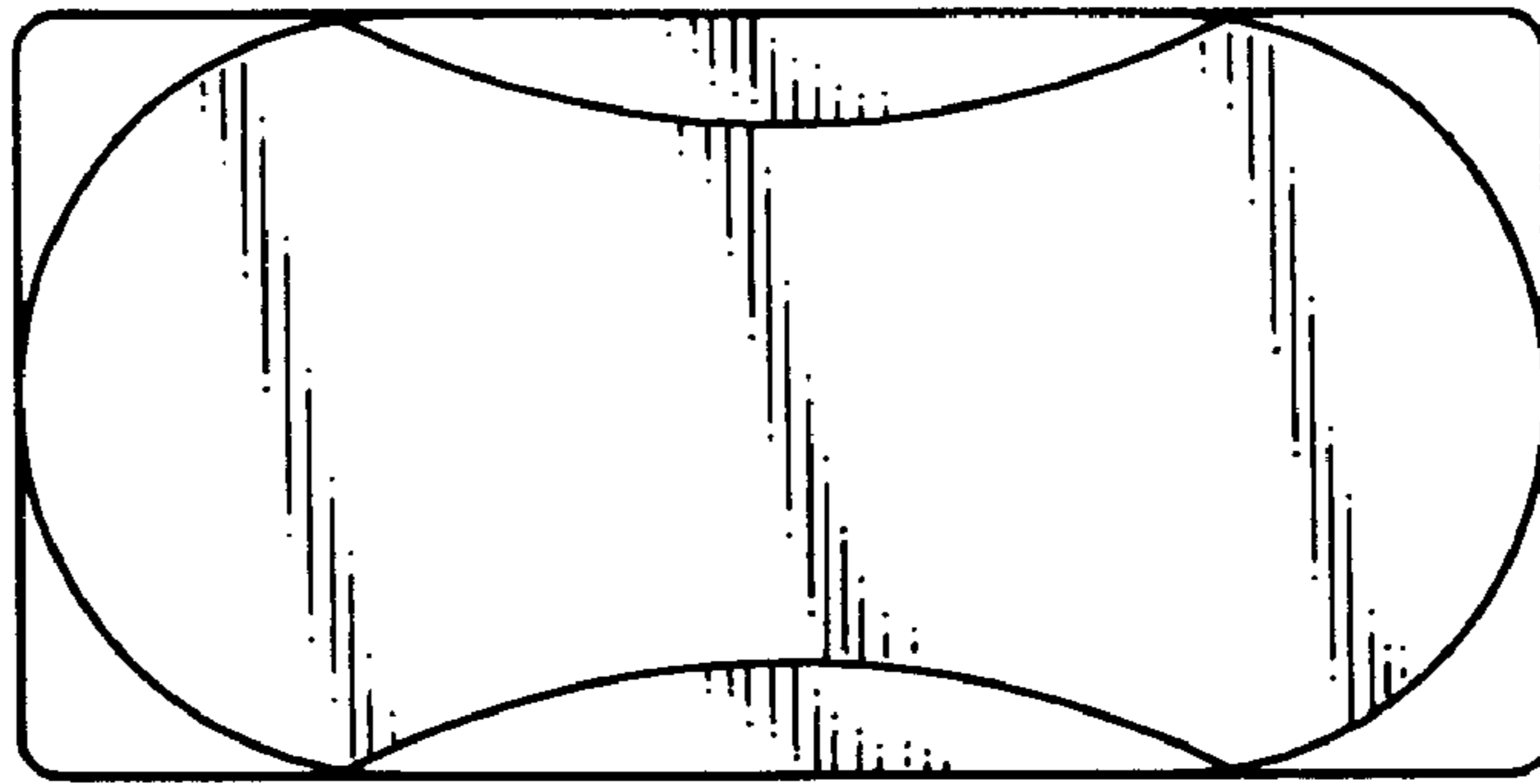


FIG. 6

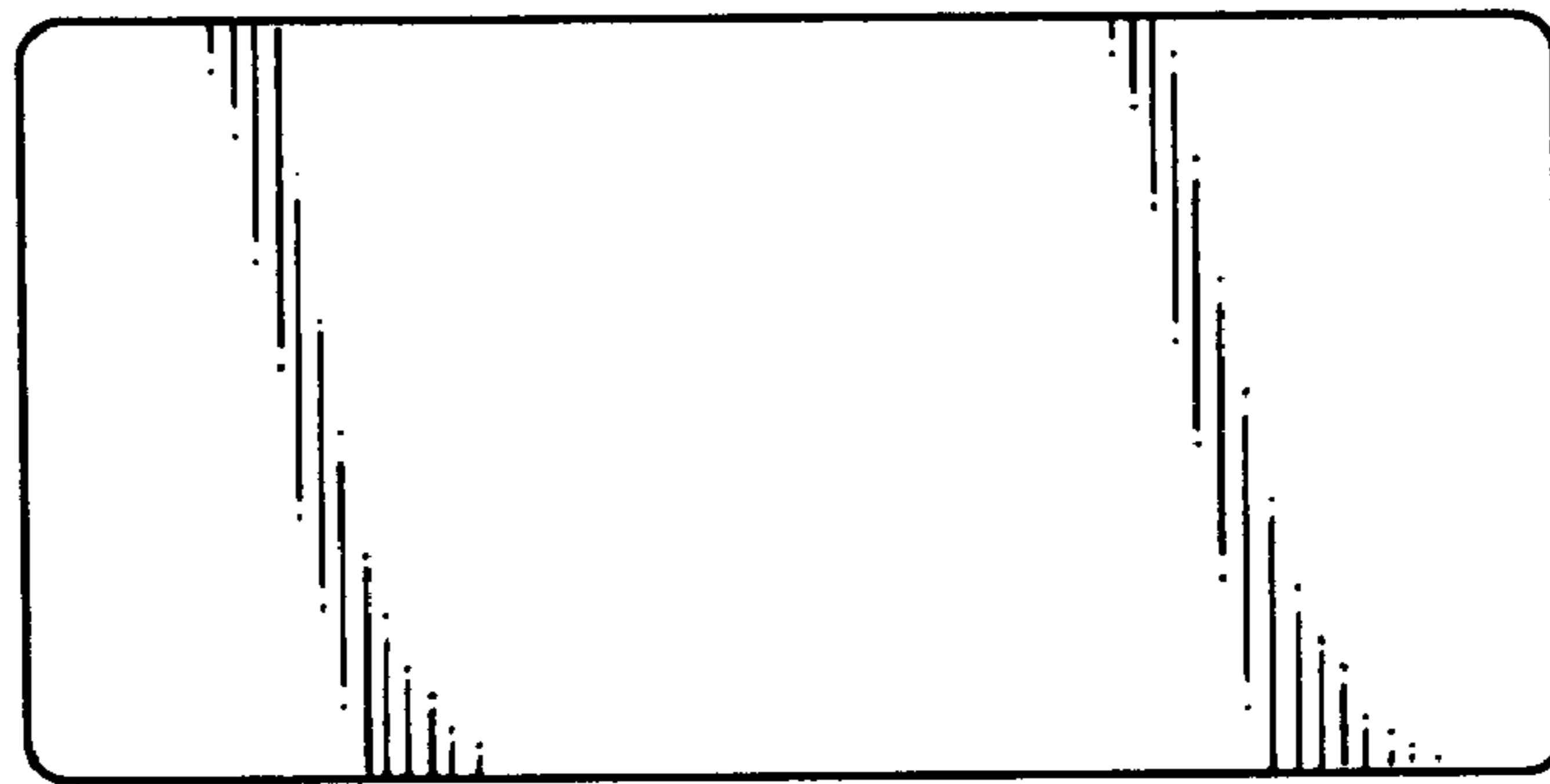


FIG. 7