



US00D466251S

(12) **United States Design Patent** (10) **Patent No.:** **US D466,251 S**
Park (45) **Date of Patent:** **** Nov. 26, 2002**

(54) **OPERATION PANEL OF NAIL CLIPPER**

* cited by examiner

(76) Inventor: **Kyunghan Park**, #21-52, Yokehon-1 dong, Eunpyoung-ku, Seoul (KR)

Primary Examiner—Ted Shooman

Assistant Examiner—C Tuttle

(**) Term: **14 Years**

(74) *Attorney, Agent, or Firm*—Whitham, Curtis & Christofferson, P.C.

(21) Appl. No.: **29/120,156**

(57) **CLAIM**

(22) Filed: **Mar. 16, 2000**

The ornamental design for an operation panel of nail clipper, as shown and described.

(30) **Foreign Application Priority Data**

DESCRIPTION

Sep. 16, 1999 (KR) 30-99-0022261

FIG. 1 is a perspective view of an operation panel of a nail clipper.

(51) **LOC (7) Cl.** **28-03**

FIG. 2 is a front view of the operation panel; with the rear view corresponding.

(52) **U.S. Cl.** **D28/62**

FIG. 3 is a left side view of the operation panel.

(58) **Field of Search** D28/56, 57, 60, D28/62; 30/26–28; 132/73, 75, 75.3, 75.4, 75.5, 75.6, 76.2

FIG. 4 is a right side view of the operation panel.

FIG. 5 is a top view of the operation panel.

(56) **References Cited**

FIG. 6 is a bottom view of the operation panel; and,

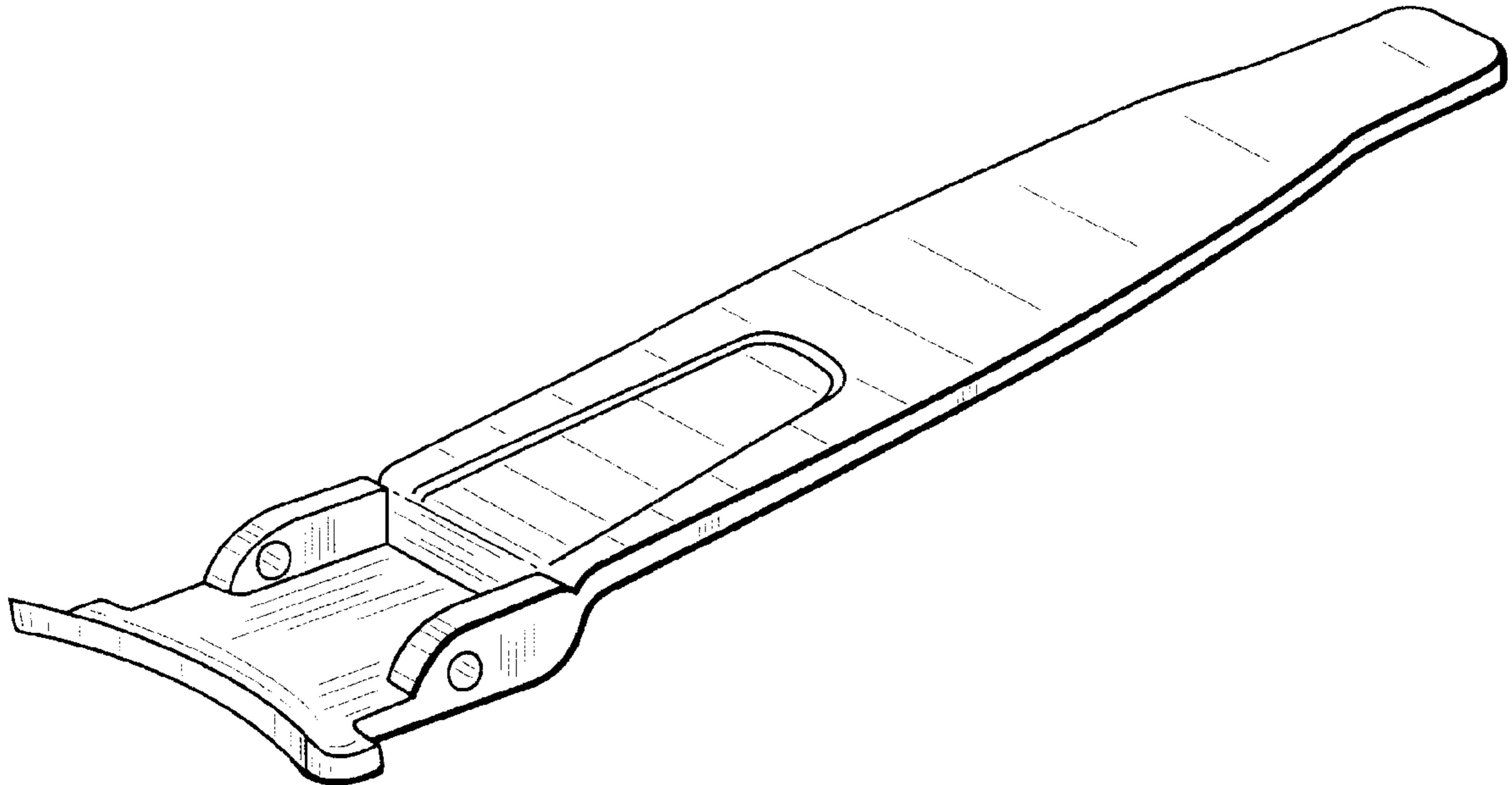
U.S. PATENT DOCUMENTS

FIG. 7 is a perspective view showing insertion into nail clipper.

860,975 A	*	7/1907	Havell	30/28
1,182,247 A	*	5/1916	Buegeleison	132/75.5
1,430,779 A	*	10/1922	Winter	132/75.5
3,986,257 A	*	10/1976	Kiura	30/28
D305,267 S	*	12/1989	Chung	D28/60

The broken line showing of the nail clipper is for illustrative purposes only and forms no part of the claimed design.

1 Claim, 4 Drawing Sheets



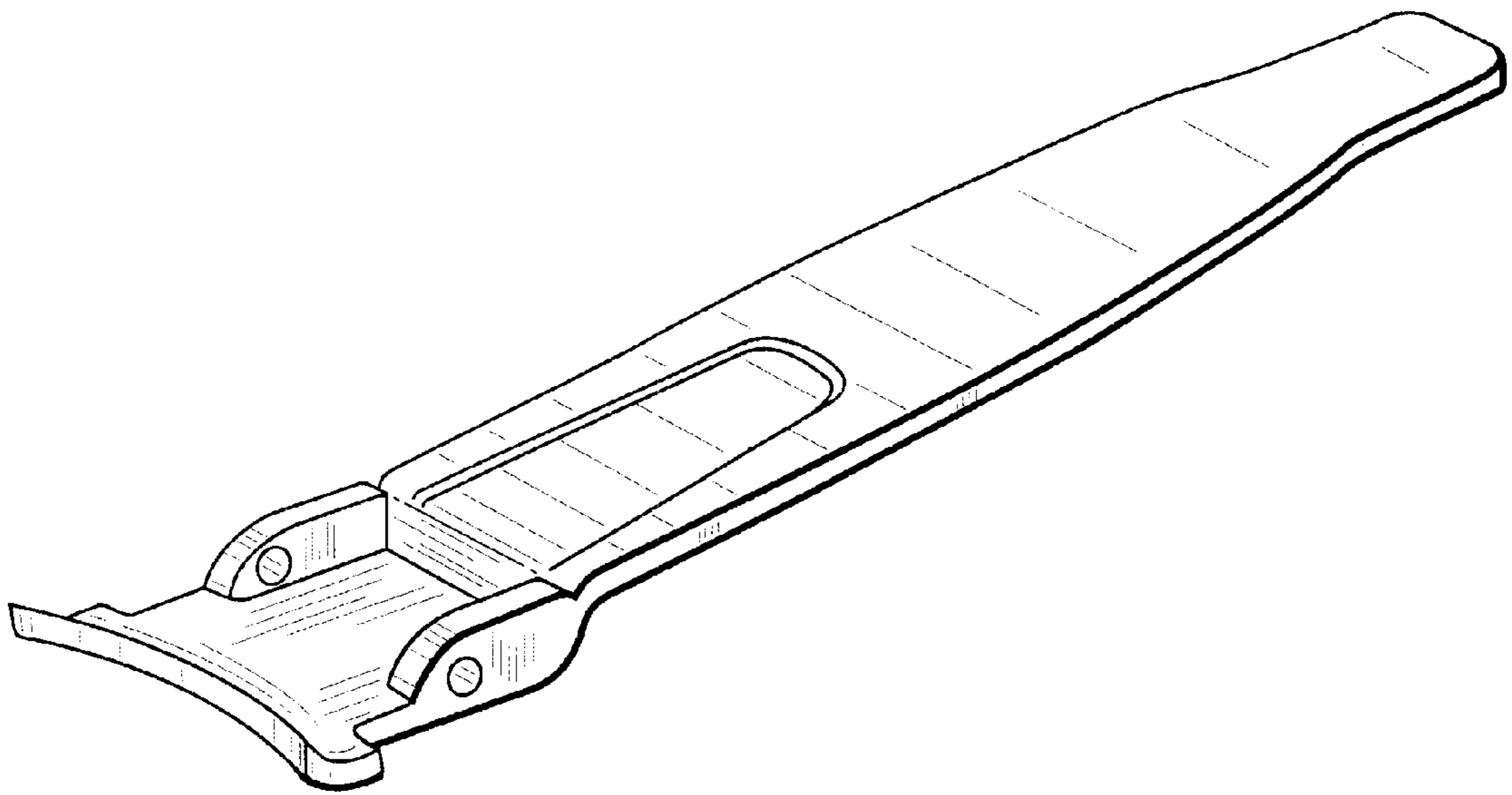


FIG. 1

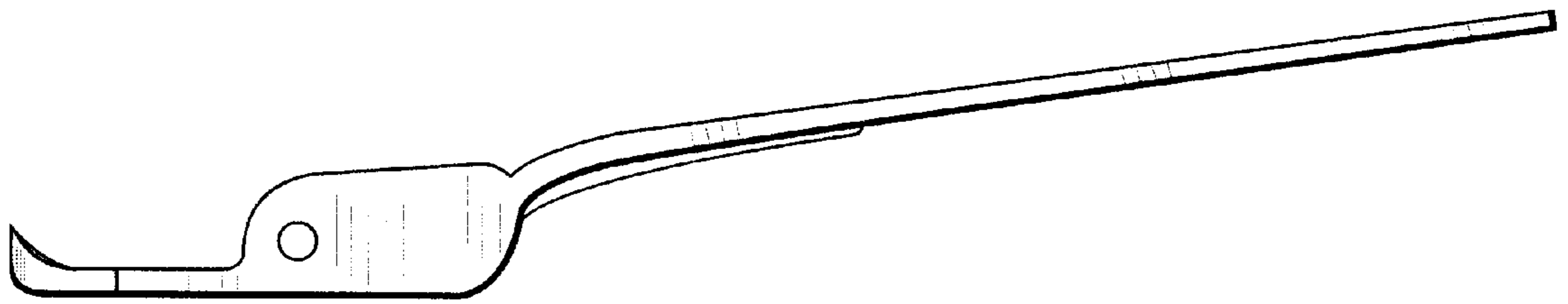


FIG. 2

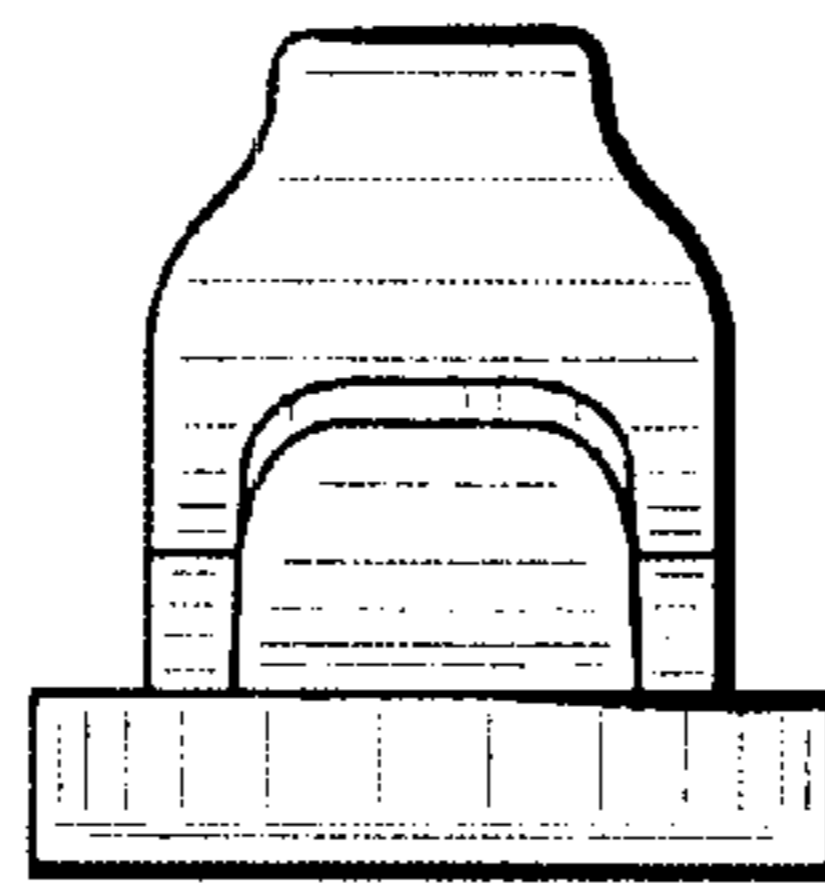


FIG. 3

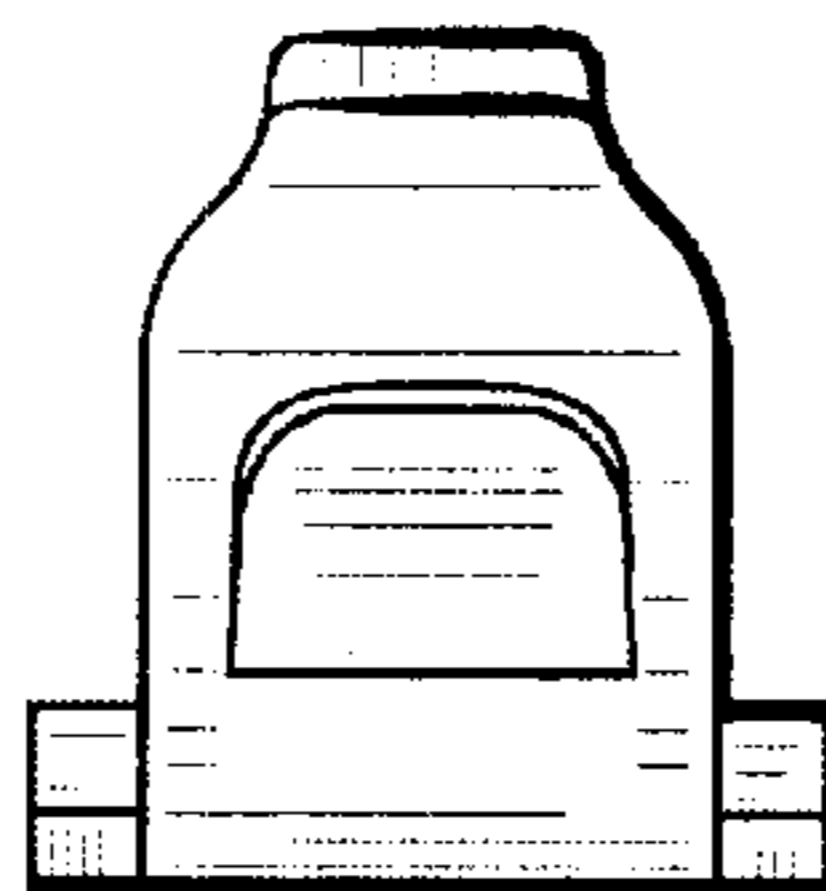


FIG. 4

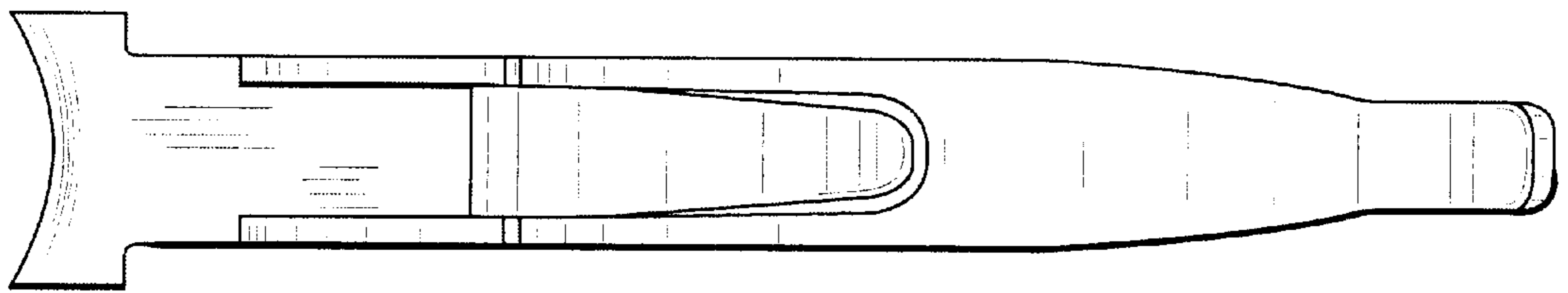


FIG. 5

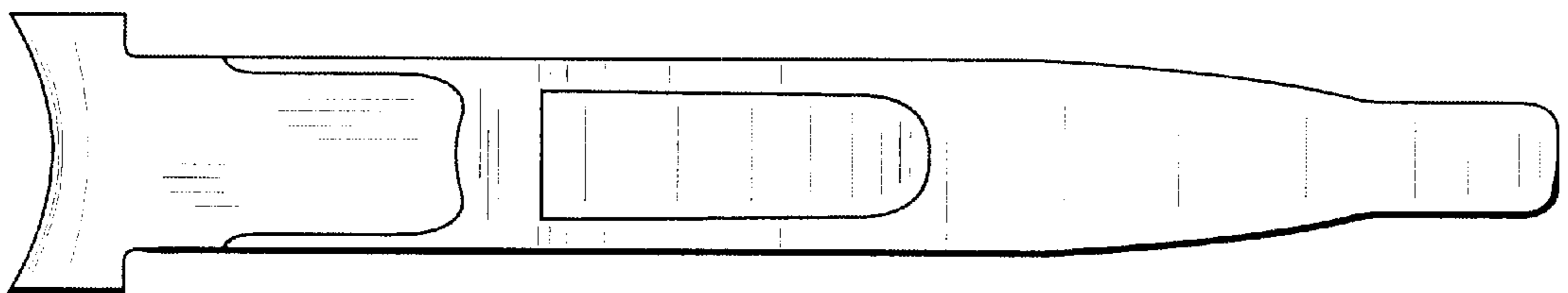


FIG. 6

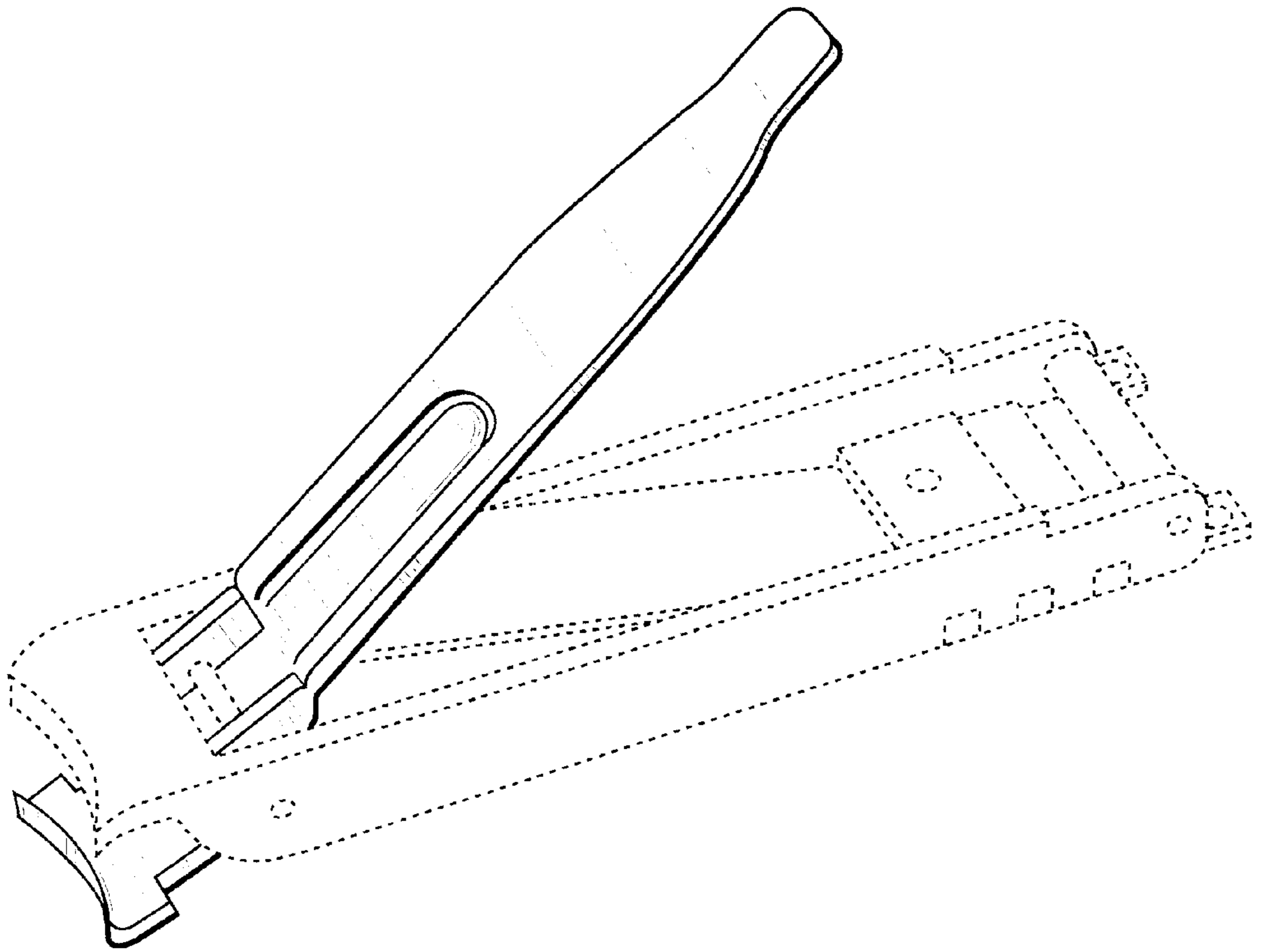


FIG. 7