



US00D466250S

(12) **United States Design Patent**
Lee

(10) **Patent No.:** **US D466,250 S**

(45) **Date of Patent:** **** Nov. 26, 2002**

(54) **COMB**

(76) **Inventor:** **Youth Lee**, 8F-1, No. 69, Sec. 1,
Hang-Chou S. Road, Wen-Pei Li,
Chung-Cheng Area, Taipei City (TW)

(**) **Term:** **14 Years**

(21) **Appl. No.:** **29/155,243**

(22) **Filed:** **Feb. 8, 2002**

(51) **LOC (7) Cl.** **28-03**

(52) **U.S. Cl.** **D28/25; D28/30**

(58) **Field of Search** D28/21, 24, 25,
D28/30; 132/112-116, 219, 119.1, 150,
118, 110, 147, 148, 117, 151, 152, 155,
159; D4/114, 116, 100, 136, 134

(56) **References Cited**

U.S. PATENT DOCUMENTS

1,055,948	A	*	3/1913	Scott	132/117
1,566,886	A	*	12/1925	Lillie	132/112
1,645,038	A	*	10/1927	Borer	132/150
1,903,646	A	*	4/1933	Jameson	132/114

2,184,478	A	*	12/1939	Slaney	132/116
3,386,453	A	*	6/1968	Roberts et al.	132/119.1
D263,001	S	*	2/1982	Wistrand	D28/25
5,915,391	A	*	6/1999	Revil	132/119.1

* cited by examiner

Primary Examiner—Lucy Lieberman
(74) *Attorney, Agent, or Firm*—Browdy and Neimark,
P.L.L.C.

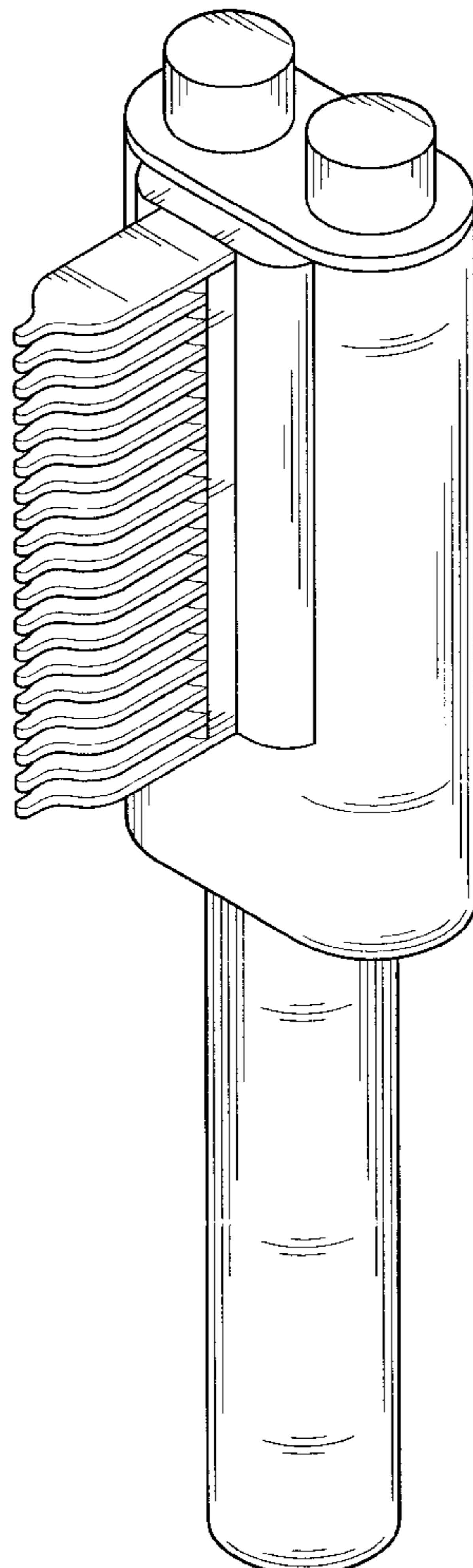
(57) **CLAIM**

The ornamental design for a comb, as shown and described.

DESCRIPTION

FIG. 1 is a perspective view of a comb showing may new design;
FIG. 2 is a front elevational view thereof;
FIG. 3 is a rear elevational view thereof;
FIG. 4 is a left side elevational view thereof;
FIG. 5 is right side elevational view thereof;
FIG. 6 is a top view thereof; and,
FIG. 7 is a bottom view thereof.

1 Claim, 7 Drawing Sheets



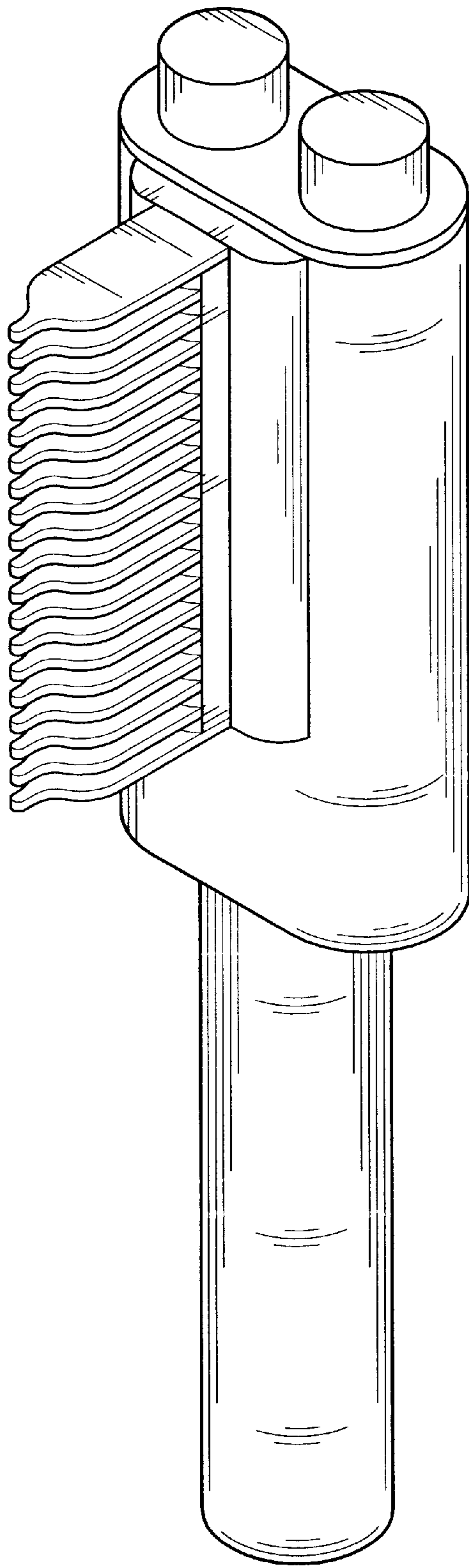


FIG. 1

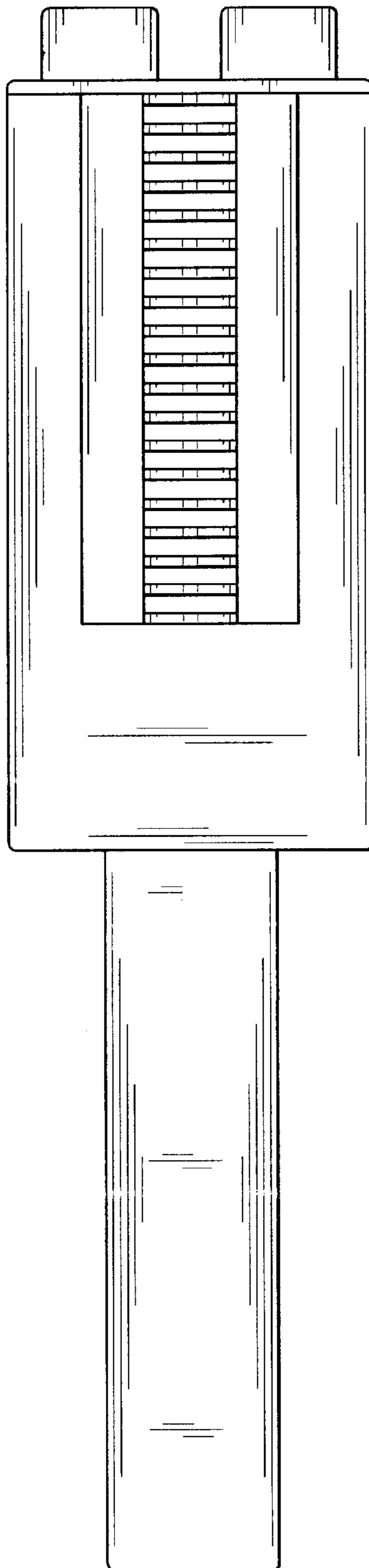


FIG. 2

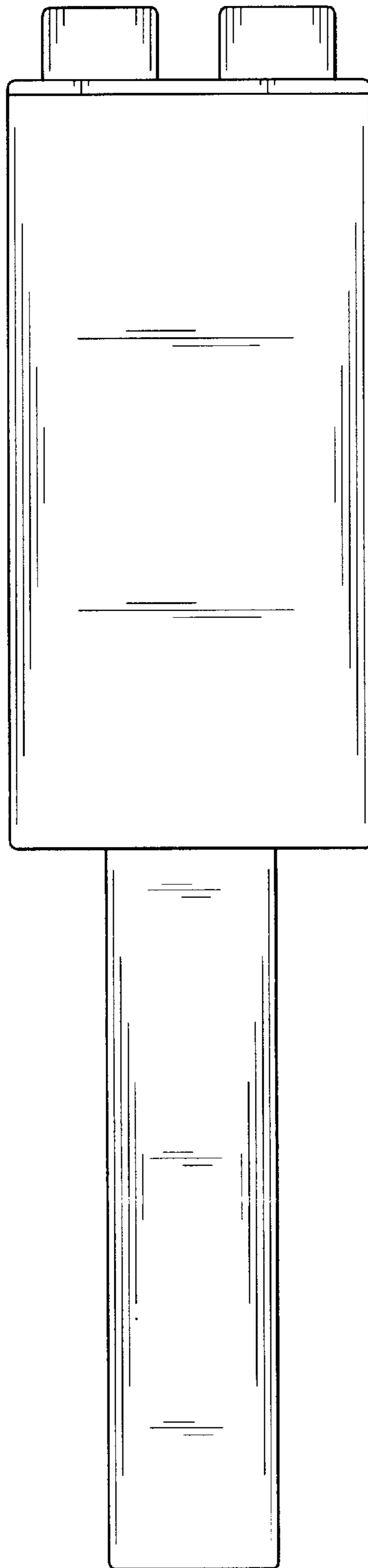


FIG. 3

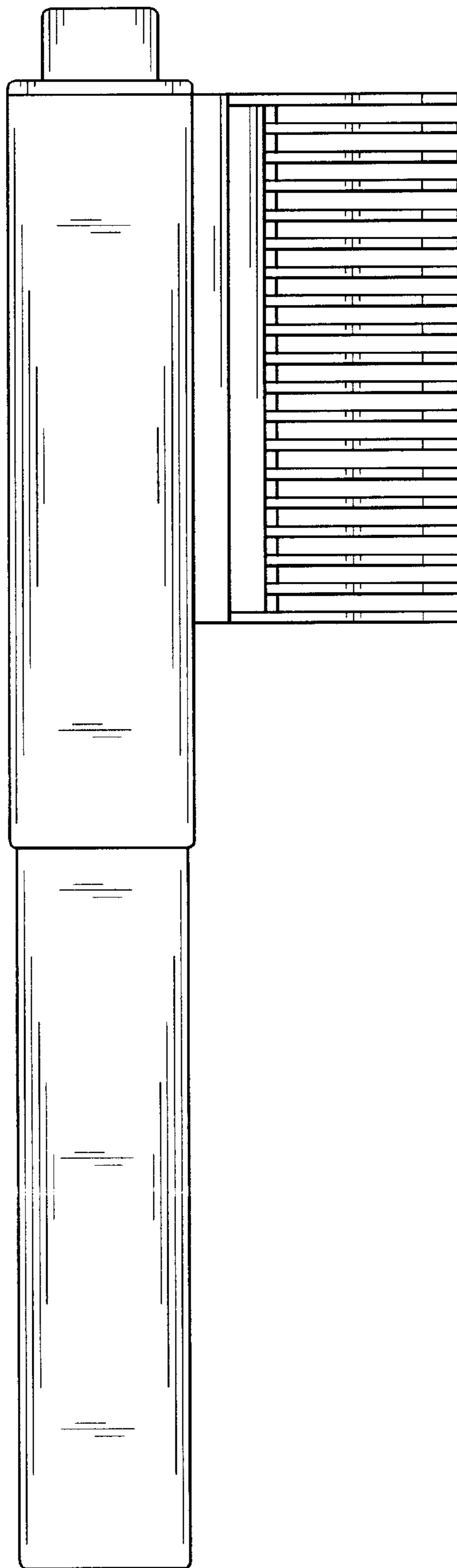


FIG. 4

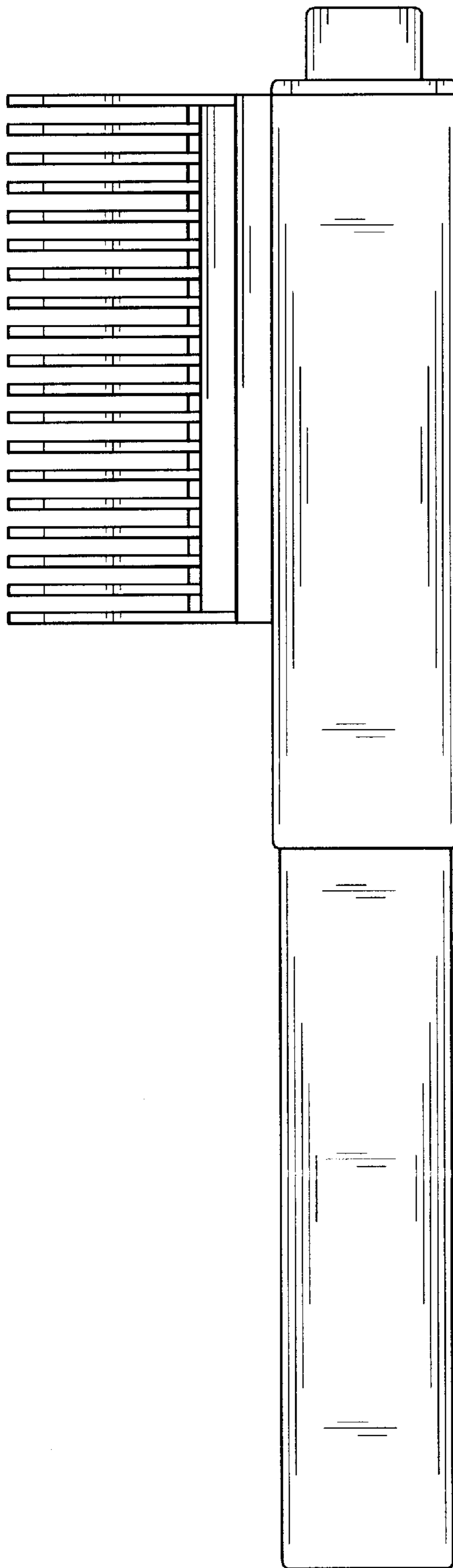


FIG. 5

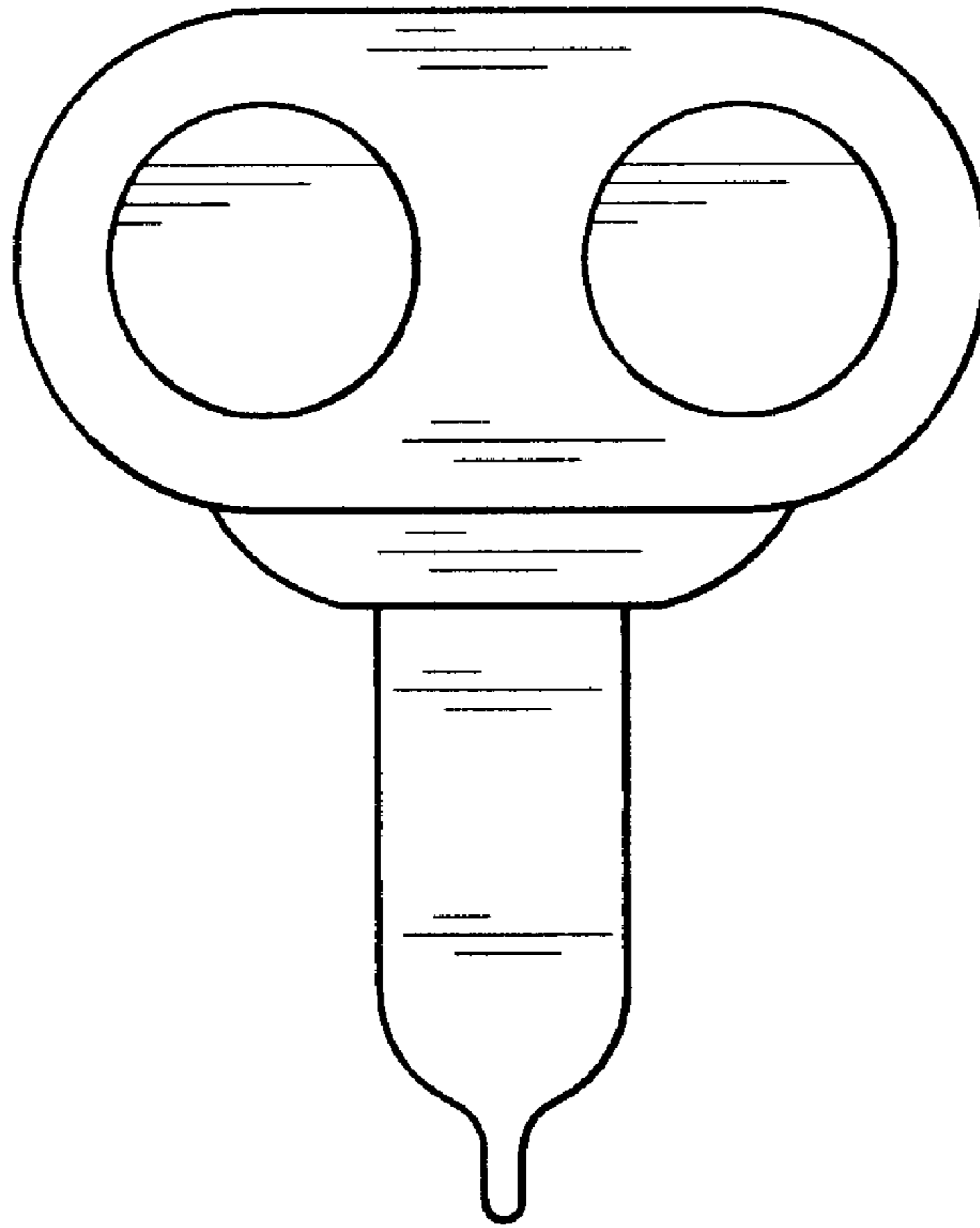


FIG. 6

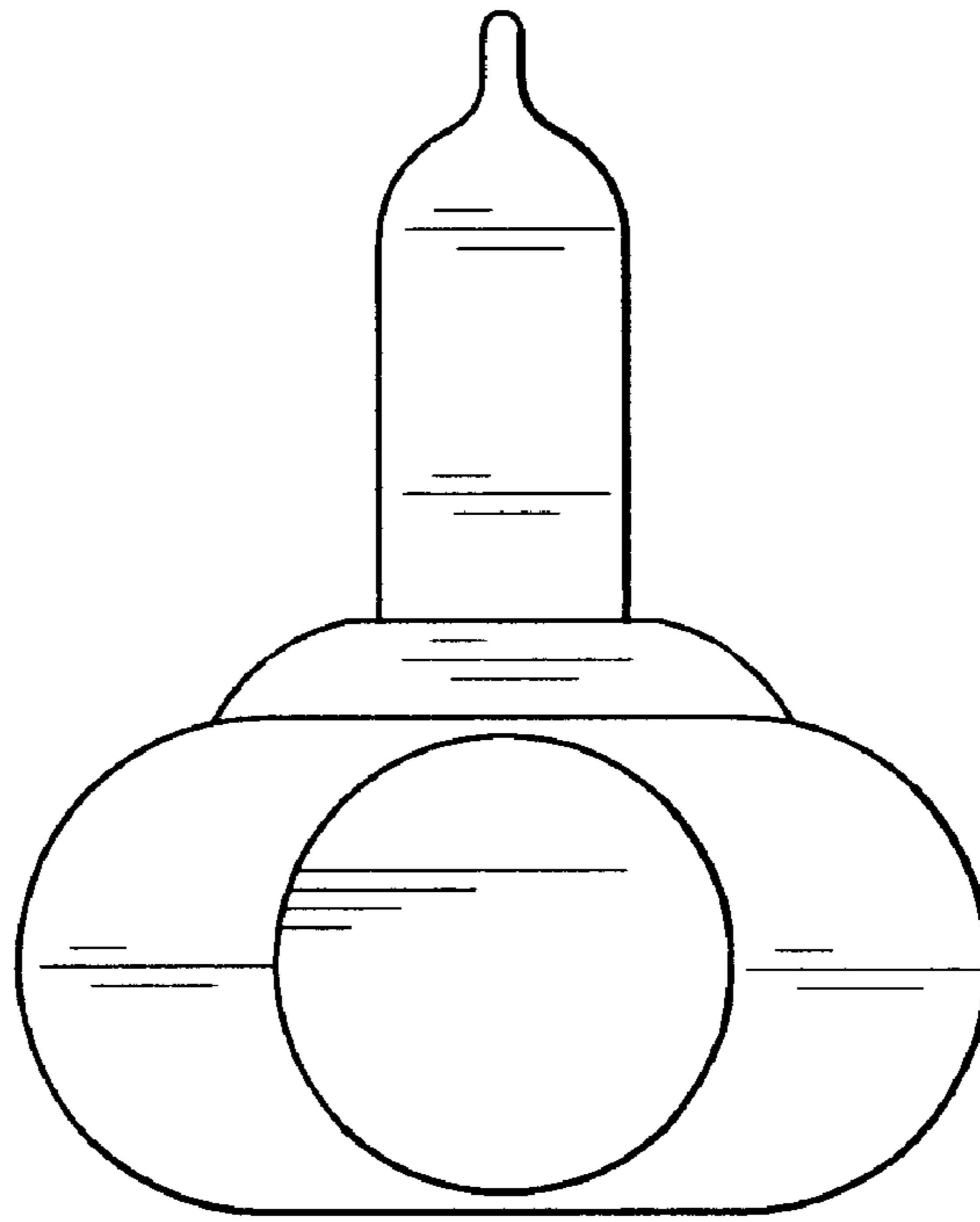


FIG. 7