



US00D466248S

(12) **United States Design Patent**
Dolan

(10) **Patent No.:** **US D466,248 S**

(45) **Date of Patent:** **** Nov. 26, 2002**

- (54) **SET OF ARMS AND SWIVELS FOR A COMBINED TORCHIERE LAMP WITH ADJUSTABLE ACCENT LIGHTS**
- (76) Inventor: **Patrick S. Dolan**, 1901 NW. Upshur, Portland, OR (US) 97209
- (**) Term: **14 Years**
- (21) Appl. No.: **29/143,878**
- (22) Filed: **Jun. 20, 2001**
- (51) **LOC (7) Cl.** **26-99**
- (52) **U.S. Cl.** **D26/155**
- (58) **Field of Search** D26/60-66, 155, D26/145, 92, 87; 362/269, 270, 275, 278, 281, 283, 284, 285, 287, 289, 401, 402, 427, 423

Residential Ltg. Mag. 1998 (Jun. Issue) Estiluz, p. 107.
 Adesso NY, NY Cat. 2000, Model 5454.
 Adesso NY, NY Cat. 2000, Model 1120.
 Adesso NY, NY Cat. 2000, Model 6601.
 George Kovacs NY Brochure 12, Dec. 1998 Model 3322.
 Trend Arcadia, CA 1997 Model 081298-17.
 Trend Arcadia, CA. 1997 Model TF 7821.
 Trend Arcadia, CA, 1997 Model TF 7055.
 Cens Lighting Magazine Aug., 1998 Model FL-7295.
 Cens Lighting Aug. 1998 Model KTH-8621.
 Diamond Classics Arcadia, CA. Cat.1993 p. 24 Model D5561-07.
 Adesso NY, NY 1997 p. 19, Model 1122.

* cited by examiner

Primary Examiner—Jennifer Rivard

(56) **References Cited**
U.S. PATENT DOCUMENTS

5,221,141 A	6/1993	Swanson
D347,904 S	6/1994	Swanson
D353,904 S	12/1994	Swanson
D432,704 S	10/2000	Swanson

OTHER PUBLICATIONS

No. 189, Standard Arm Works Catalog, Dec. 1950, p. 20.*
 Illuminazioni Int'l, # 429-430, 1996 p. 180 Piombino Dese, Italy.
 Illuminotecnica Magazine # 429-430, 1996 p. 215, Brama, Italy.
 George Kovacs NY Cat. 1999 p. 24, Model 2302 Cat # 9.
 George Kovacs Cat. No. 9, 1999 p. 9, Model 3074.

(57) **CLAIM**

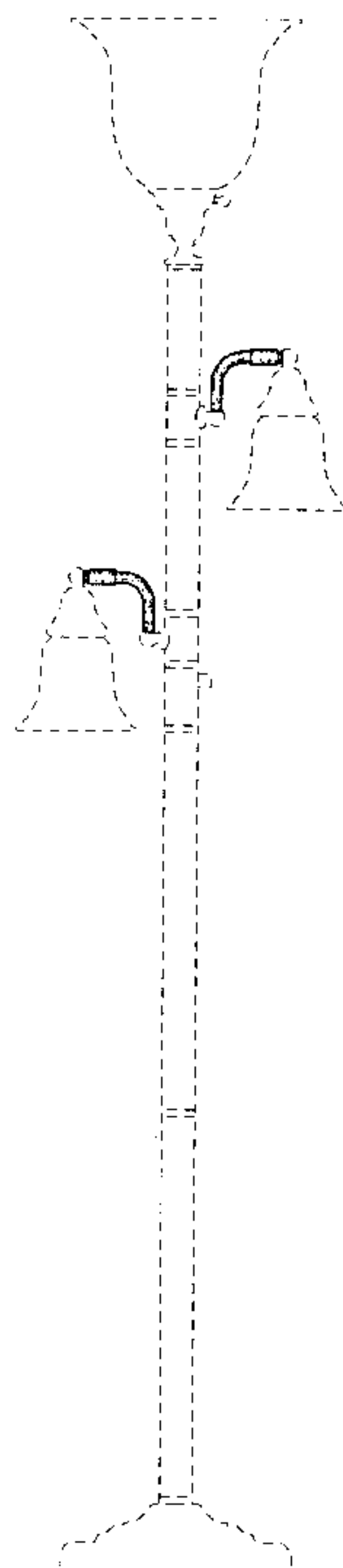
The ornamental design for set of arms and swivels for a combined torchiere lamp with adjustable accent lights, as shown and described.

DESCRIPTION

FIG. 1 is a full front elevational view thereof;
 FIG. 2 is a detailed perspective view thereof;
 FIG. 3 is a detailed front elevational thereof;
 FIG. 4 is a right side view thereof;
 FIG. 5 is a left side view thereof;
 FIG. 6 is a top plan view thereof; and,
 FIG. 7 is a bottom plan view thereof.

The broken lines shown in the drawing are environmental only and form no part of the claimed design.

1 Claim, 7 Drawing Sheets



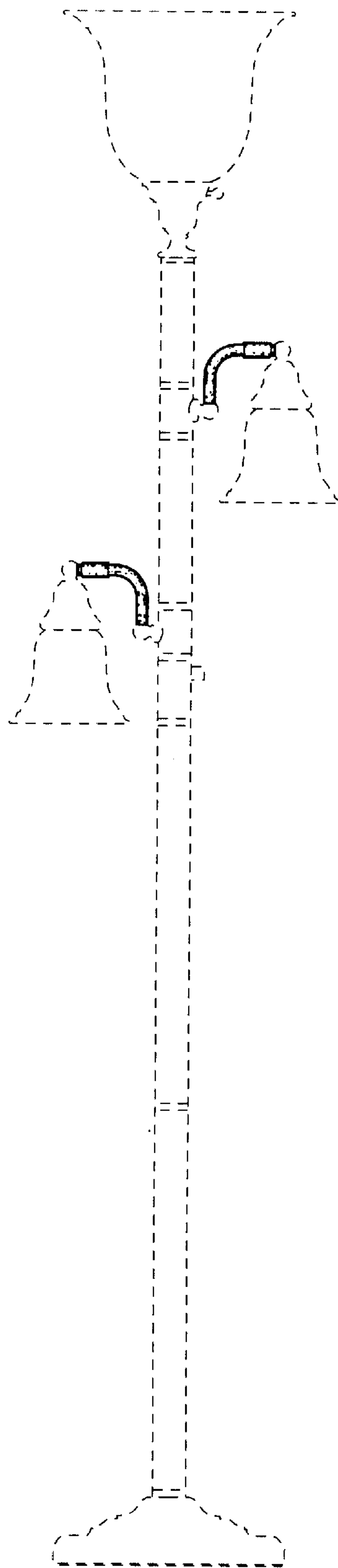


FIG. 1

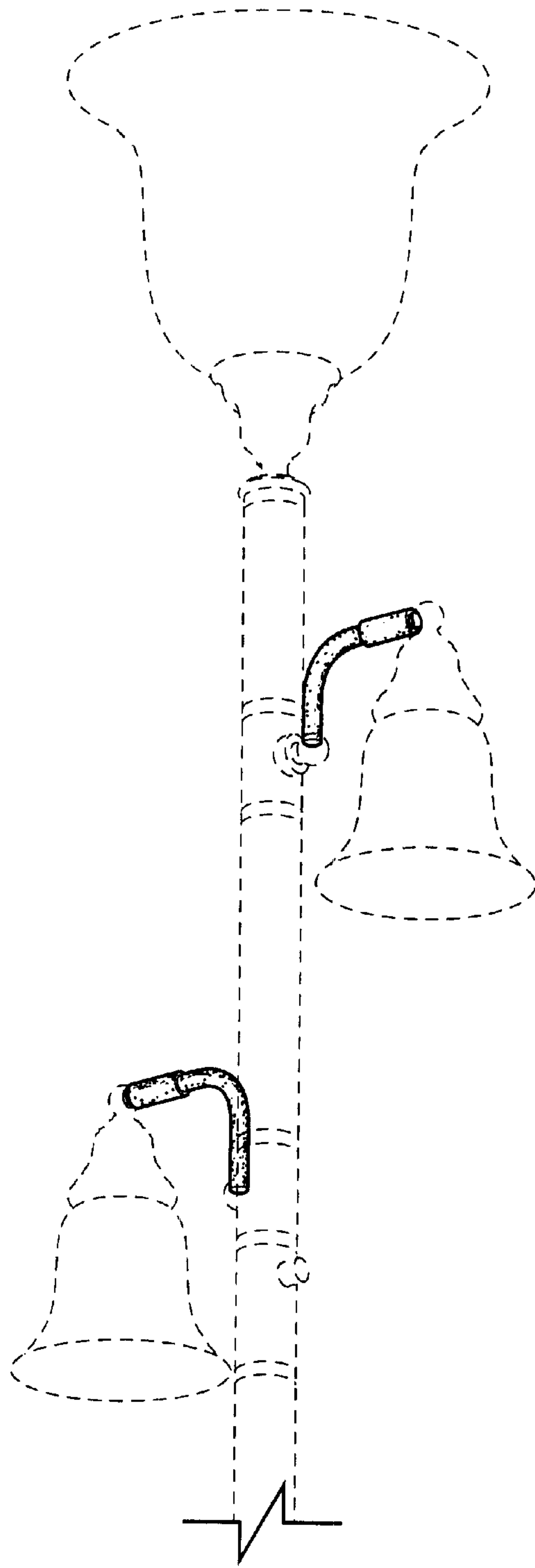


FIG. 2

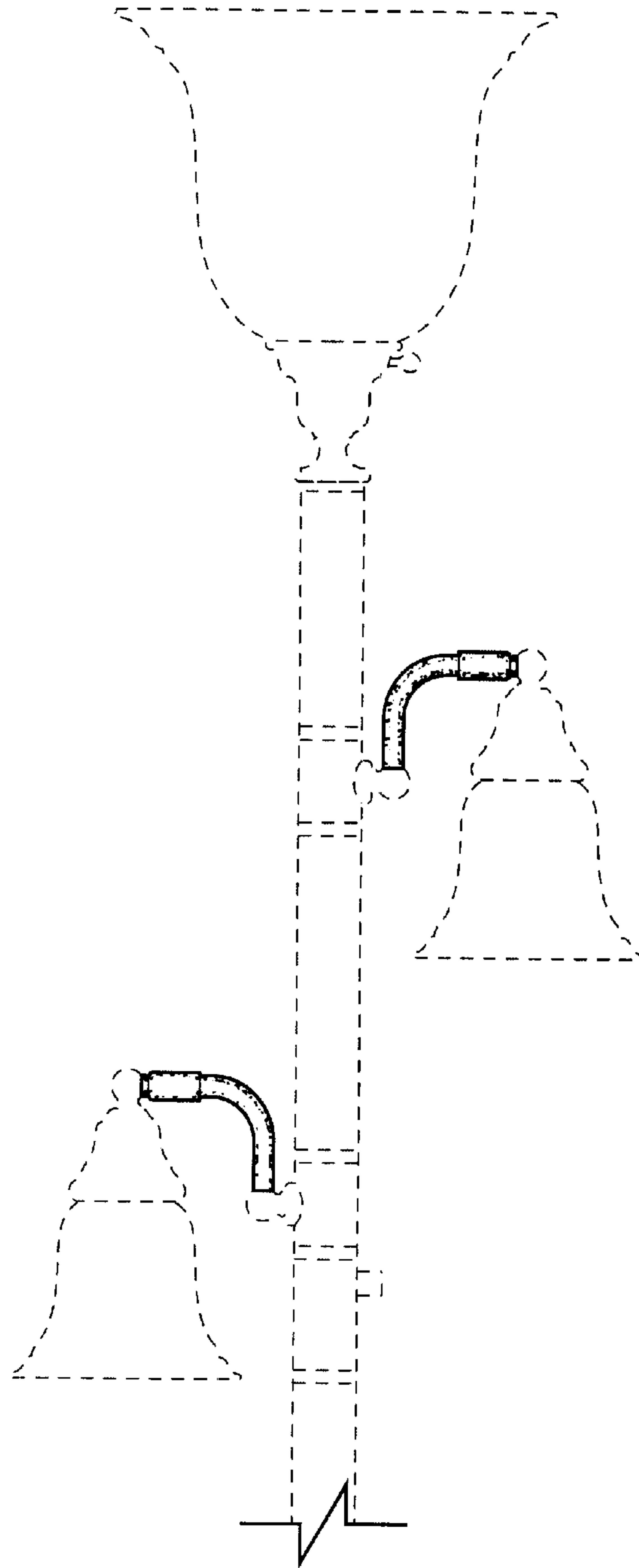


FIG. 3

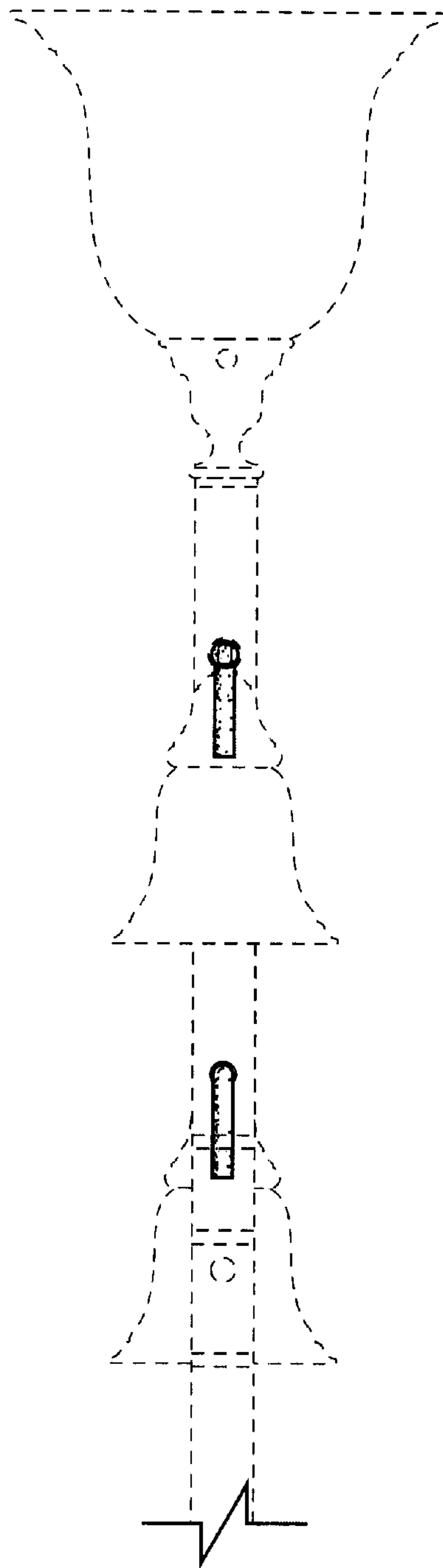


FIG. 4

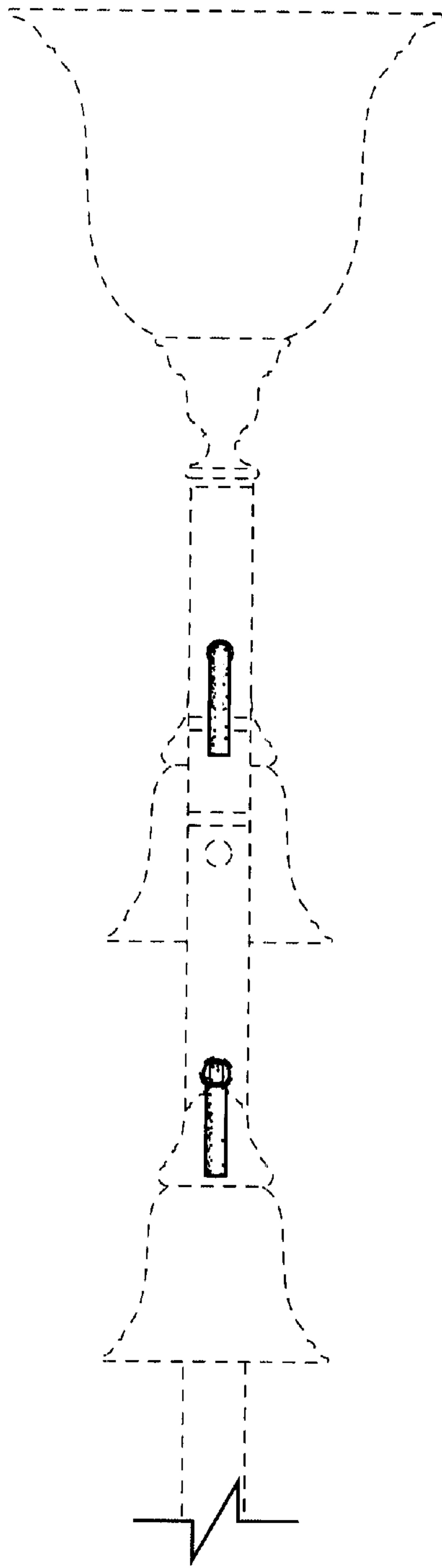


FIG. 5

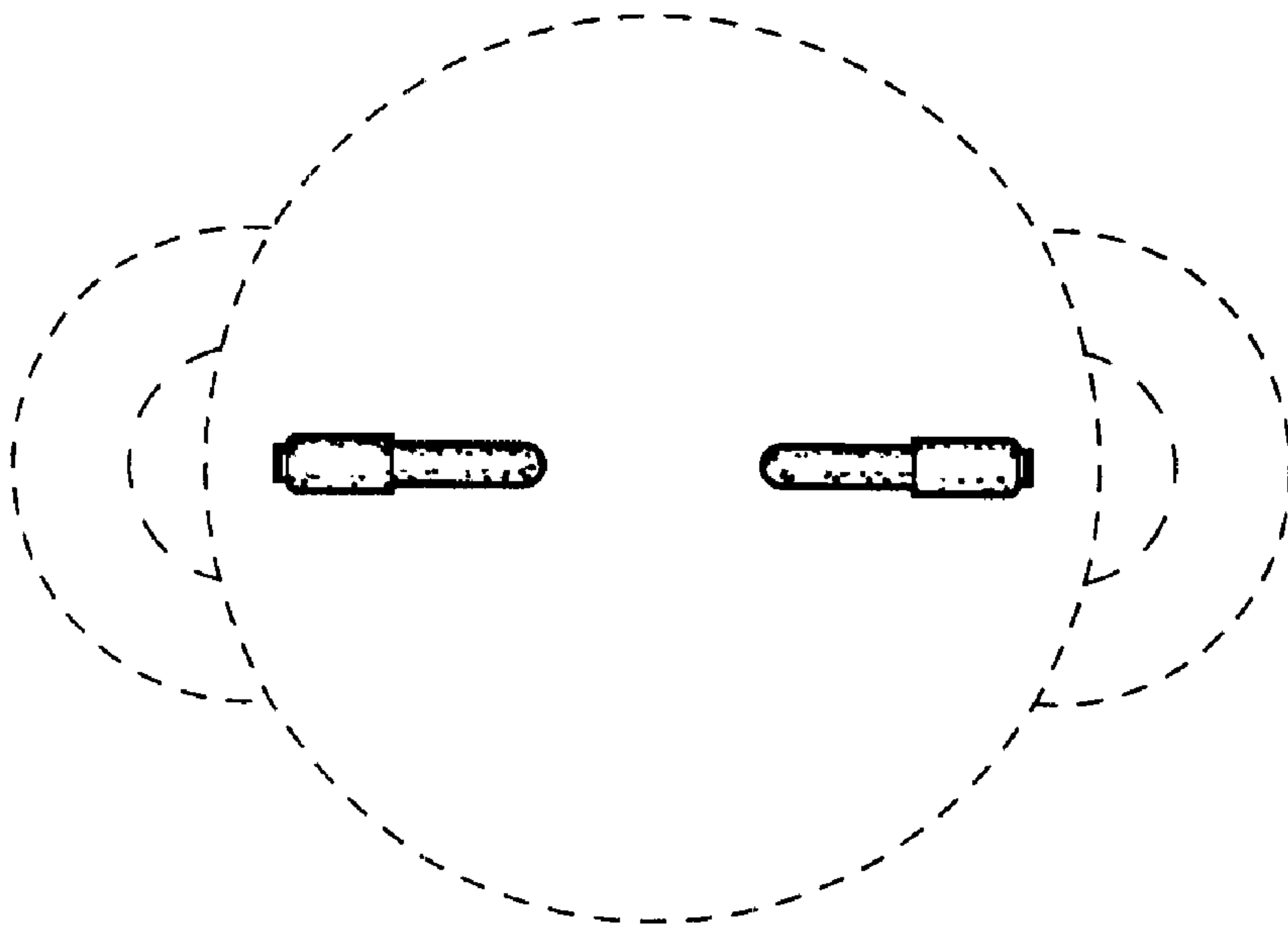


FIG. 6

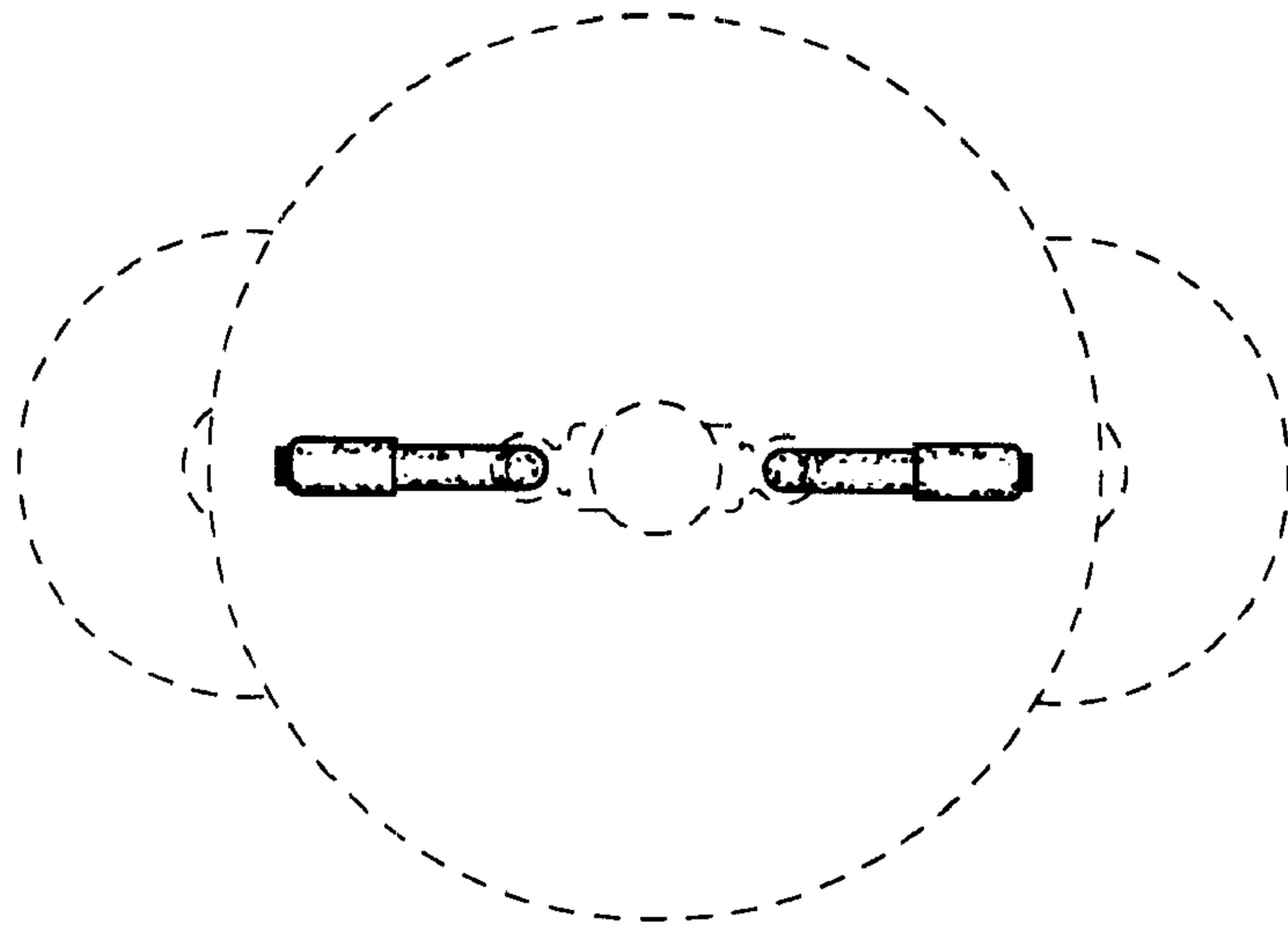


FIG. 7