



US00D466242S

(12) **United States Design Patent**
Chan

(10) **Patent No.:** **US D466,242 S**

(45) **Date of Patent:** **** Nov. 26, 2002**

(54) **FLASHLIGHT**

(75) Inventor: **Peter Chan**, Kowloon (HK)

(73) Assignee: **Lumilite International Ltd.**, Hong Kong (HK)

(**) Term: **14 Years**

(21) Appl. No.: **29/156,528**

(22) Filed: **Mar. 4, 2002**

(51) **LOC (7) Cl.** **26-02**

(52) **U.S. Cl.** **D26/49**

(58) **Field of Search** D26/37-50; 362/157, 362/158, 171, 172, 173, 183-208

(56) **References Cited**

U.S. PATENT DOCUMENTS

- D428,506 S * 7/2000 Garrity et al. D26/49
- D448,878 S * 10/2001 Dalton et al. D26/49

D449,395 S * 10/2001 Dalton et al. D26/49

* cited by examiner

Primary Examiner—Marcus A. Jackson

(74) *Attorney, Agent, or Firm*—Miles & Stockbridge P.C.

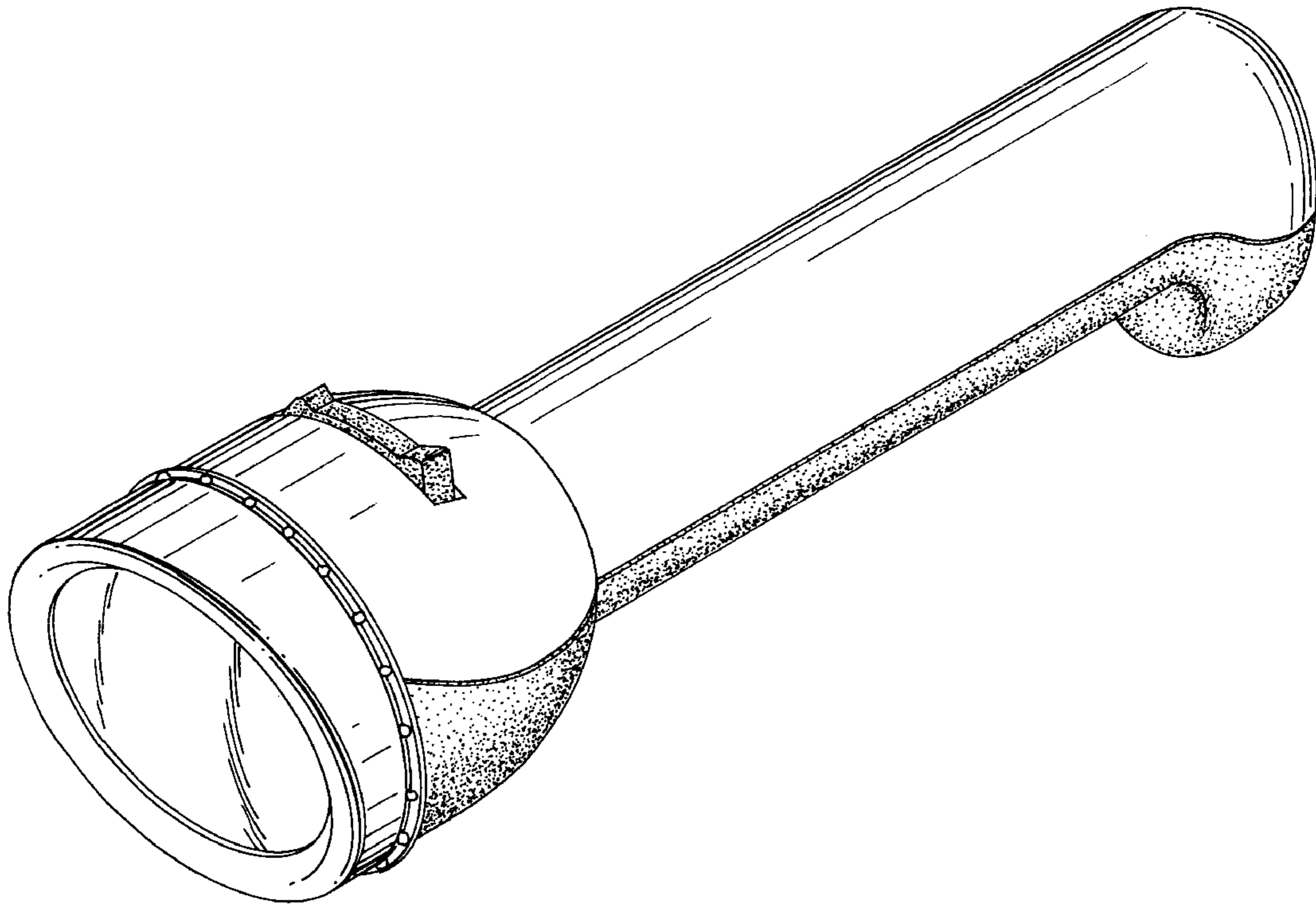
(57) **CLAIM**

The ornamental design for a flashlight, as shown and described.

DESCRIPTION

FIG. 1 is a perspective view of a flashlight showing my new design;
 FIG. 2 right side elevational view thereof, the left side elevational view being a mirror image;
 FIG. 3 is a top plan view thereof;
 FIG. 4 is a bottom plan view thereof;
 FIG. 5 is a front elevational view thereof; and,
 FIG. 6 is a rear elevational view thereof.

1 Claim, 3 Drawing Sheets



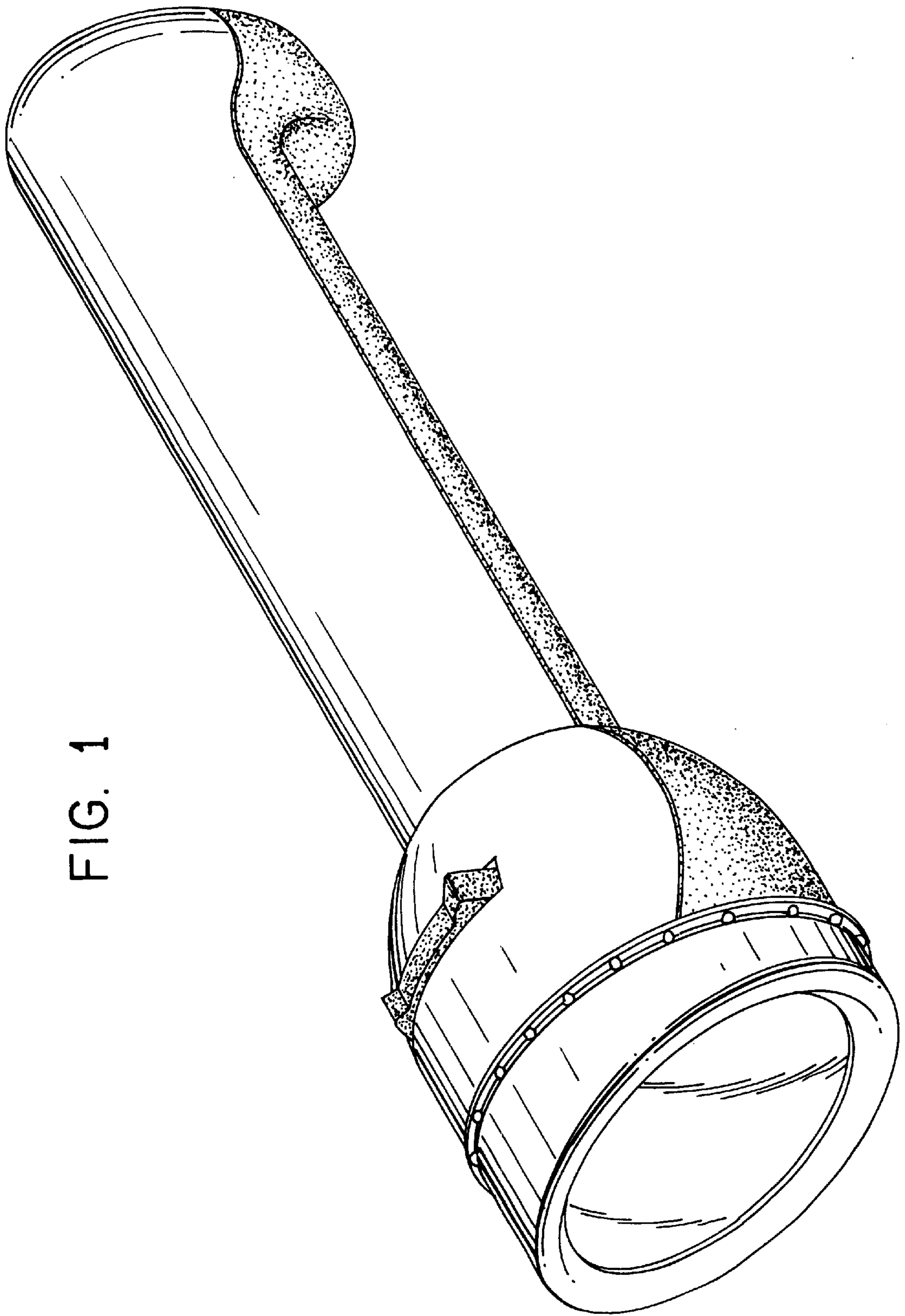


FIG. 1

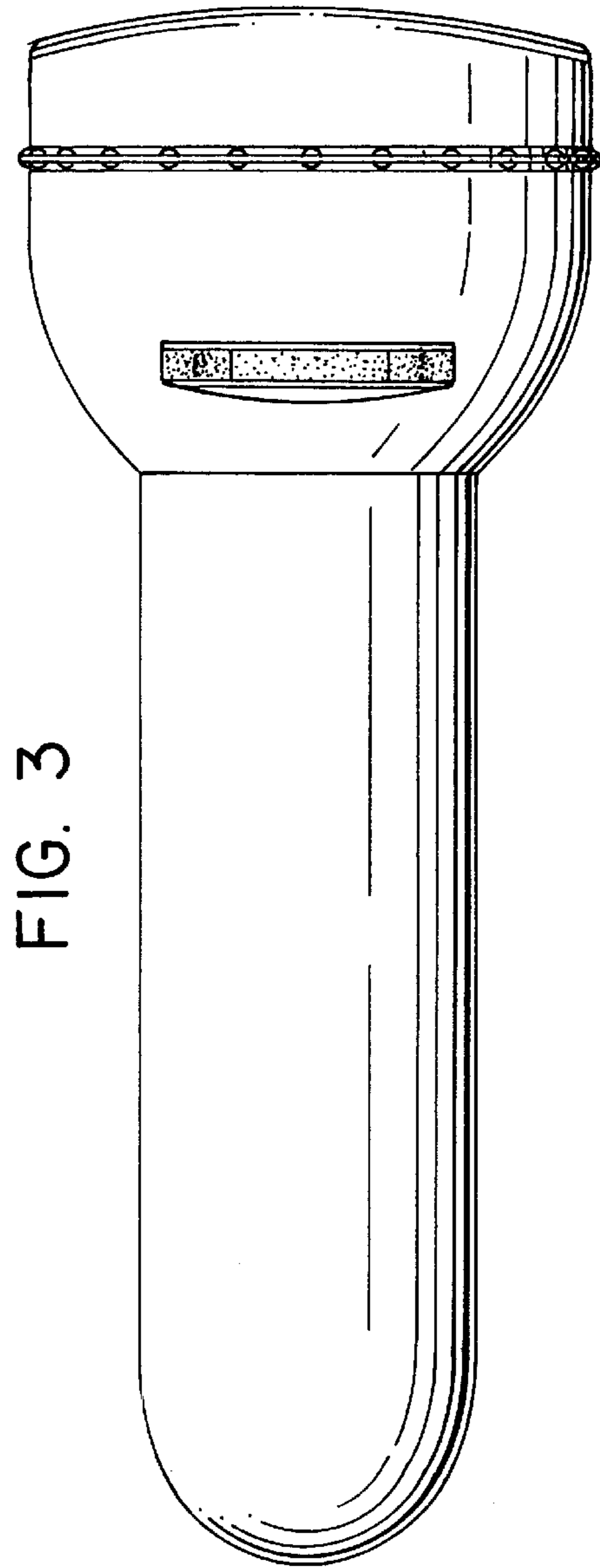
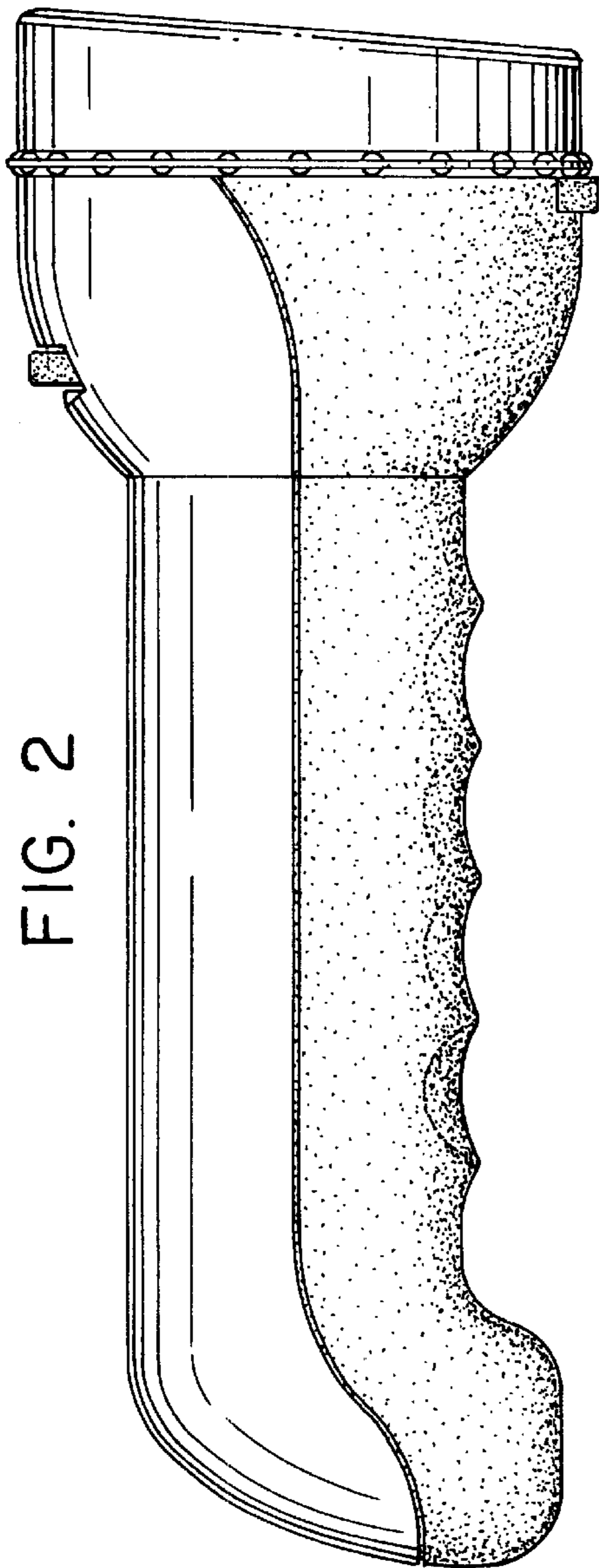


FIG. 4

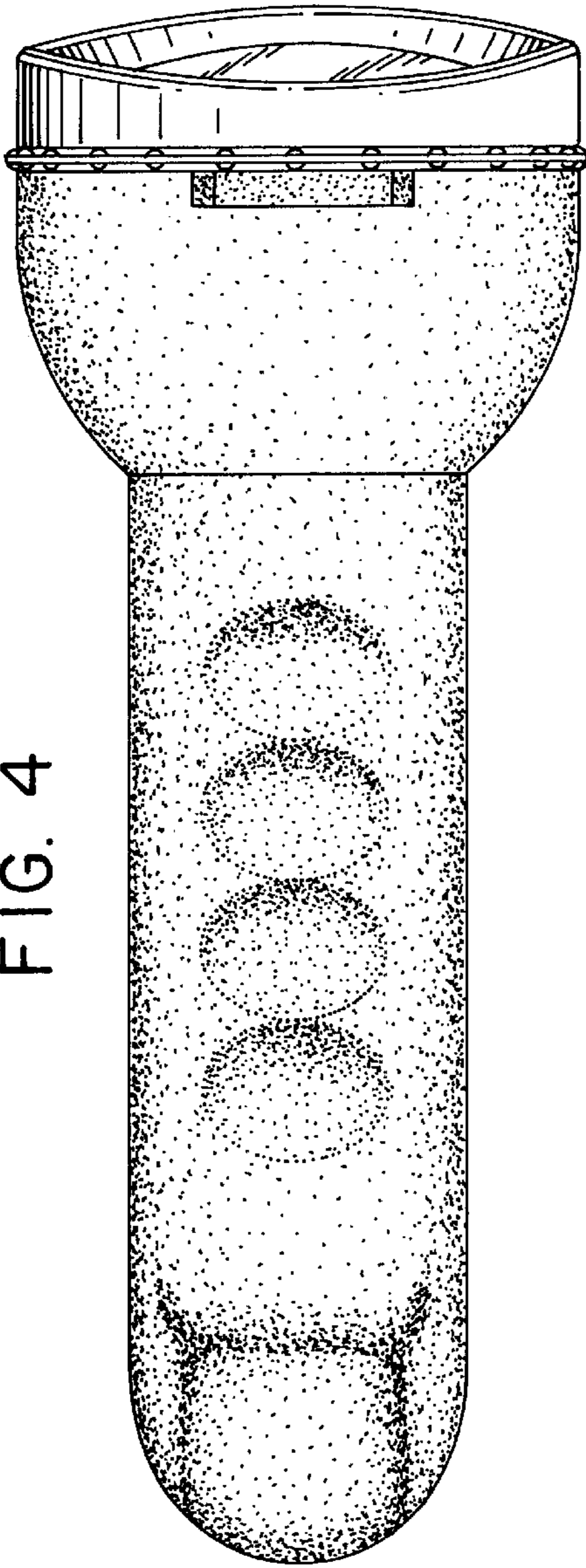


FIG. 5

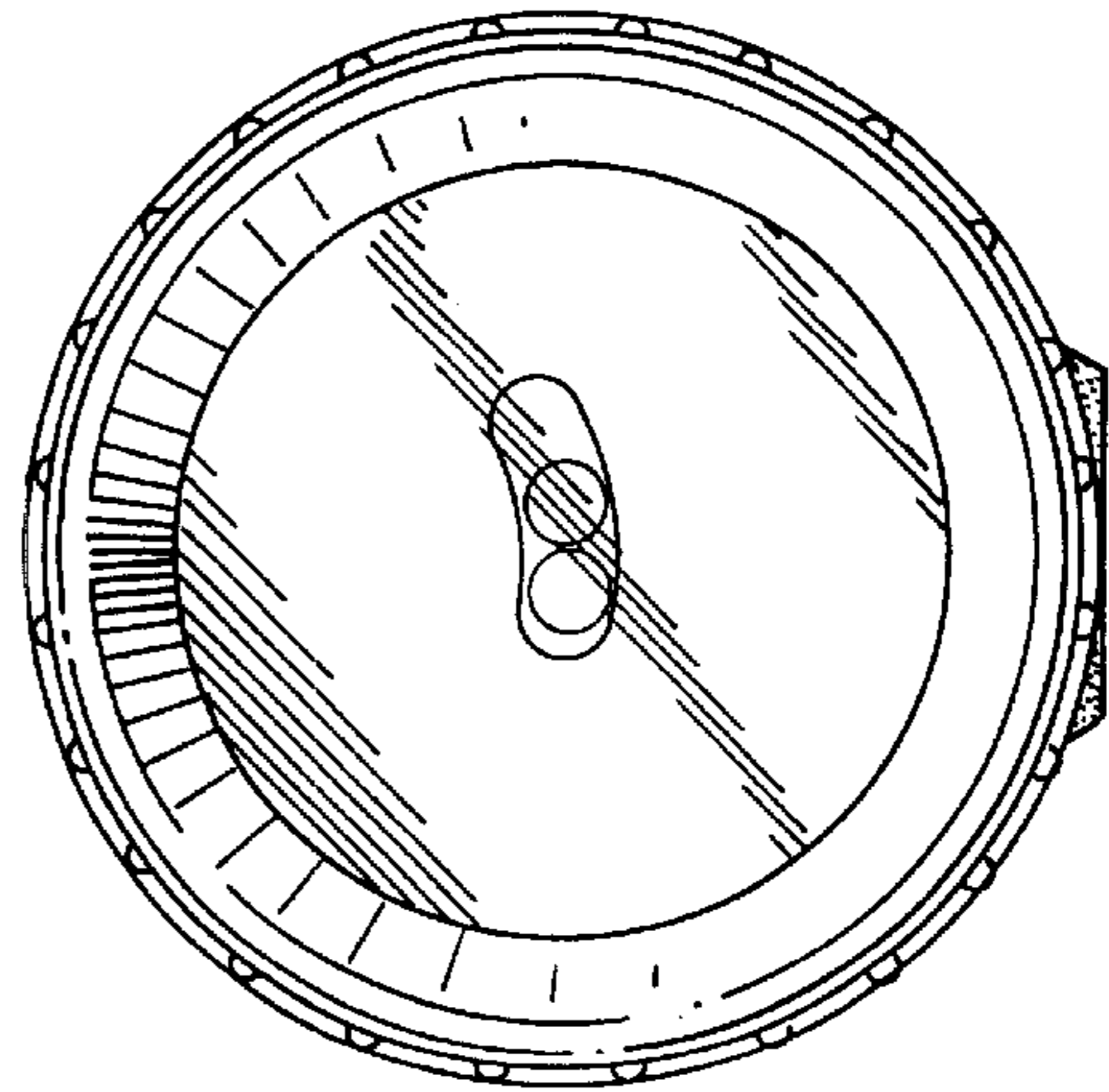


FIG. 6

