



US00D466241S

(12) **United States Design Patent**
Wakasugi et al.

(10) **Patent No.:** **US D466,241 S**

(45) **Date of Patent:** **** Nov. 26, 2002**

(54) **SHOTGUN SHELL LIGHT FIXTURE**

(76) Inventors: **Rodger D. Wakasugi**, P.O. Box 96,
Blanca, CO (US) 81123; **Jane S. Wakasugi**, P.O. Box 96, Blanca, CO
(US) 81123

(**) Term: **14 Years**

(21) Appl. No.: **29/151,630**

(22) Filed: **Nov. 5, 2001**

(51) **LOC (7) Cl.** **26-04**

(52) **U.S. Cl.** **D26/32**

(58) **Field of Search** D26/32, 98, 125;
362/61, 80, 80.1, 83, 83.2, 124, 806, 808;
D12/199

(56) **References Cited**

U.S. PATENT DOCUMENTS

D65,468 S * 8/1924 Fenwick et al. D26/32
D347,705 S * 6/1994 Terry et al. D26/32

* cited by examiner

Primary Examiner—Marcus A. Jackson

(74) *Attorney, Agent, or Firm*—Richard D. Clarke

(57) **CLAIM**

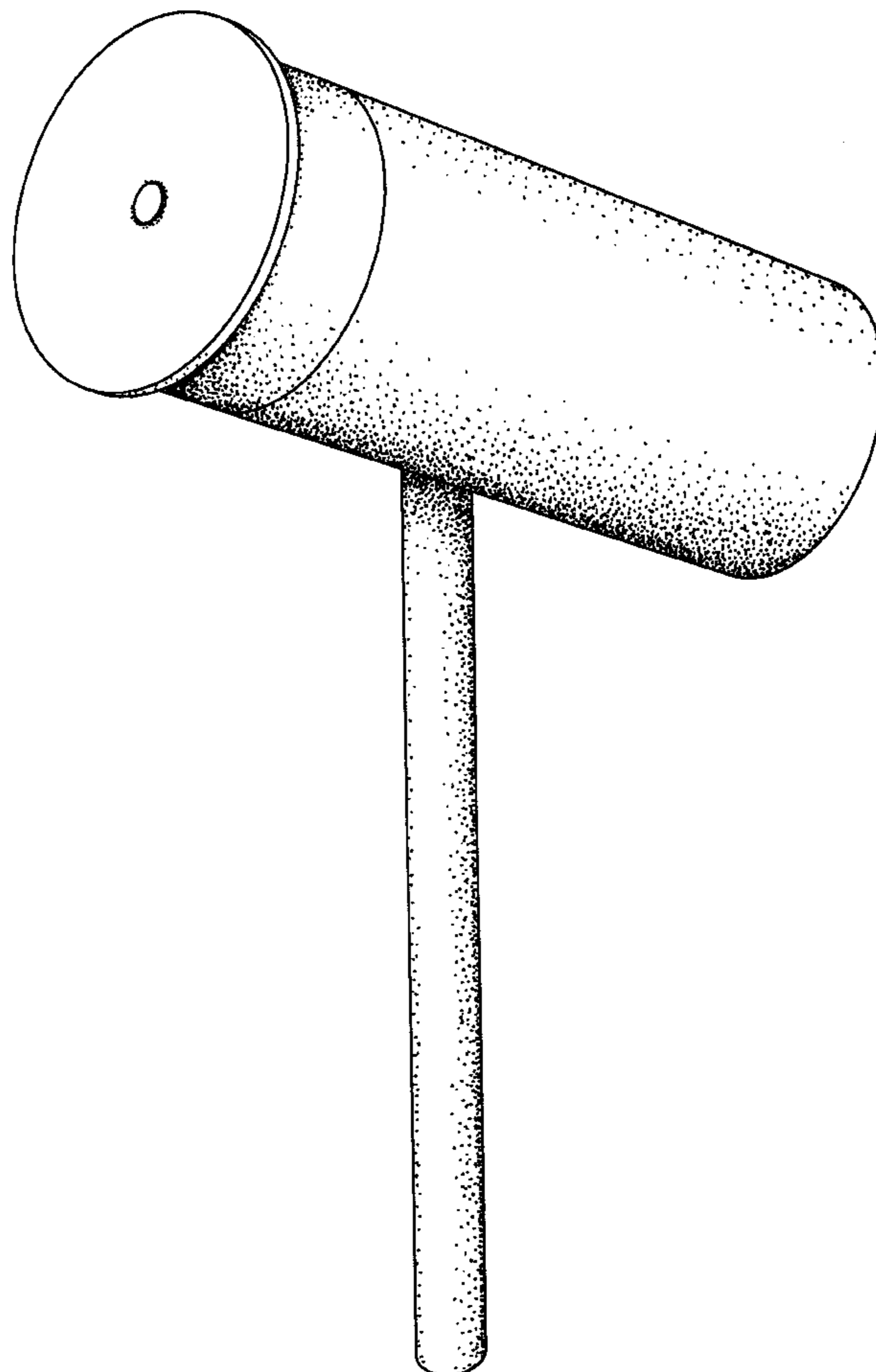
We claim the design for a shotgun shell light fixture, as shown and described.

DESCRIPTION

FIG. 1 is a perspective partial rear and partial side elevational view of a shotgun shell light fixture;
FIG. 2 is a top view of a shotgun shell light fixture;
FIG. 3 is a bottom view of a shotgun shell light fixture;
FIG. 4 is a perspective partial front and partial side elevational view of a shotgun shell light fixture;
FIG. 5 is a front elevational view of a shotgun shell light fixture;
FIG. 6 is a rear elevational view of a shotgun shell light fixture;
FIG. 7 is a side elevational view of a shotgun shell light fixture; and,
FIG. 8 is a side elevational view of a shotgun shell light fixture.

The broken line showing of a light bulb mounted within the hollow portion of the shotgun shell light fixture in FIGS. 4 and 5 is for illustrative purposes only and forms no part of the claimed design.

1 Claim, 4 Drawing Sheets



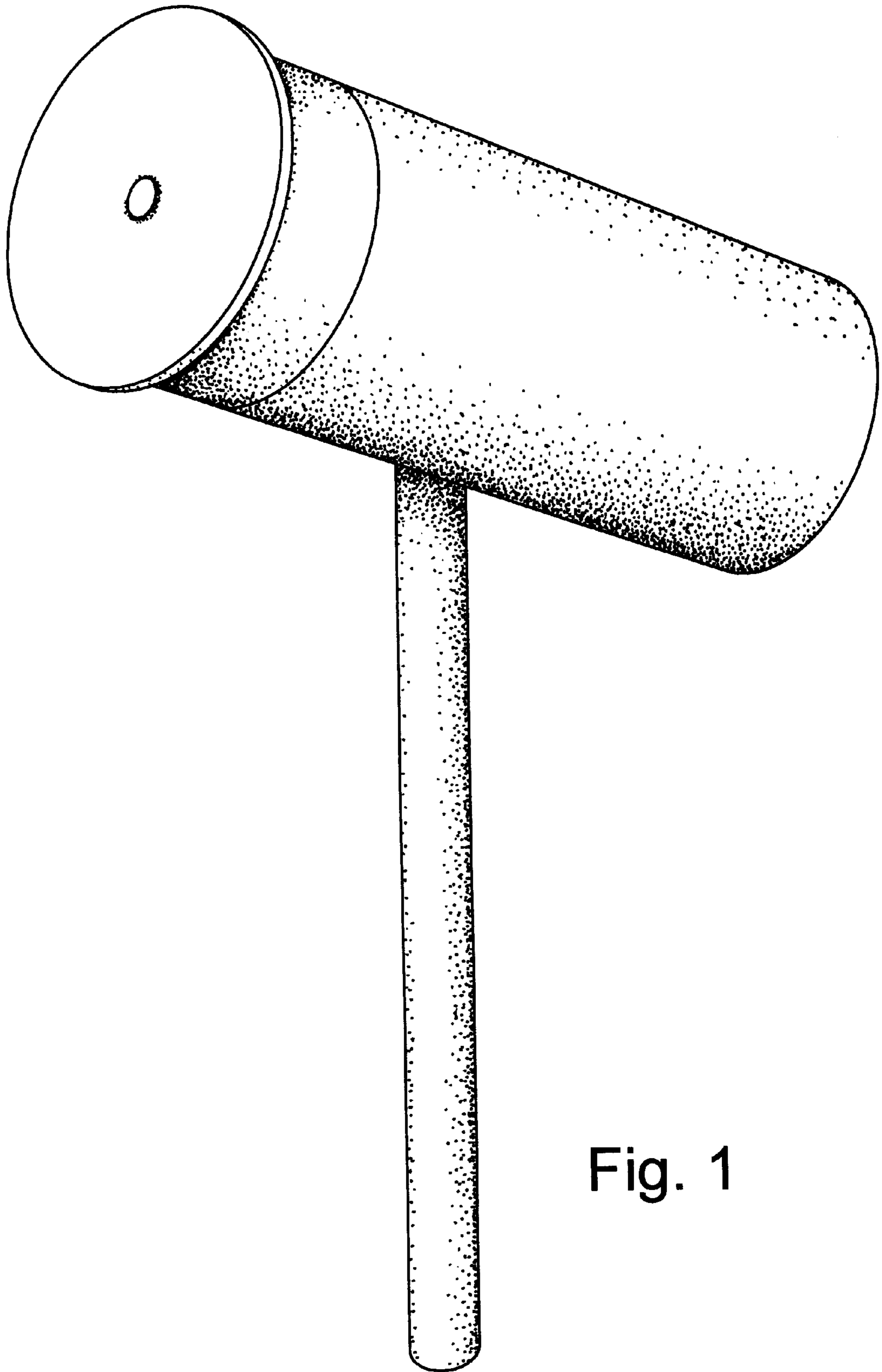


Fig. 1

Fig. 2

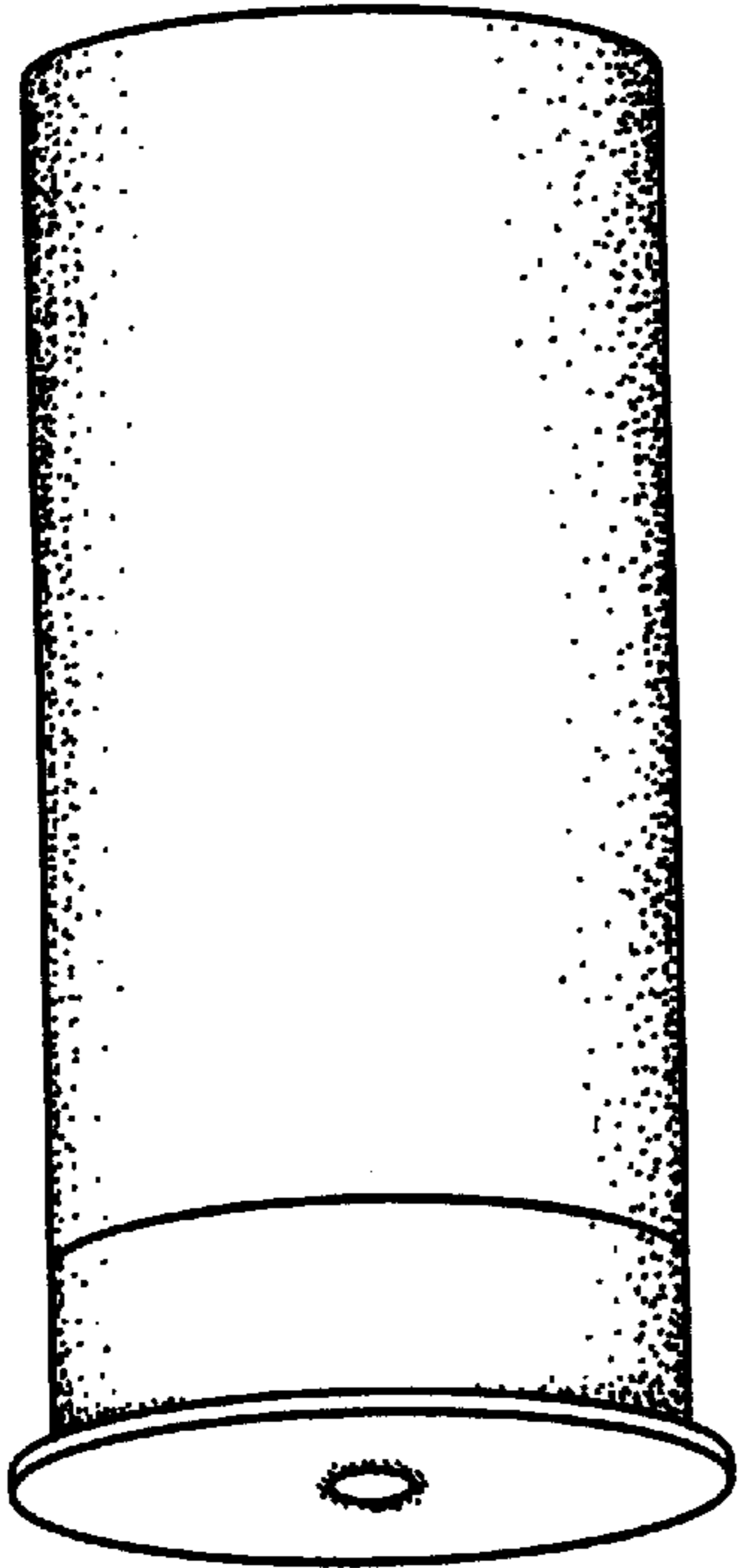


Fig. 3

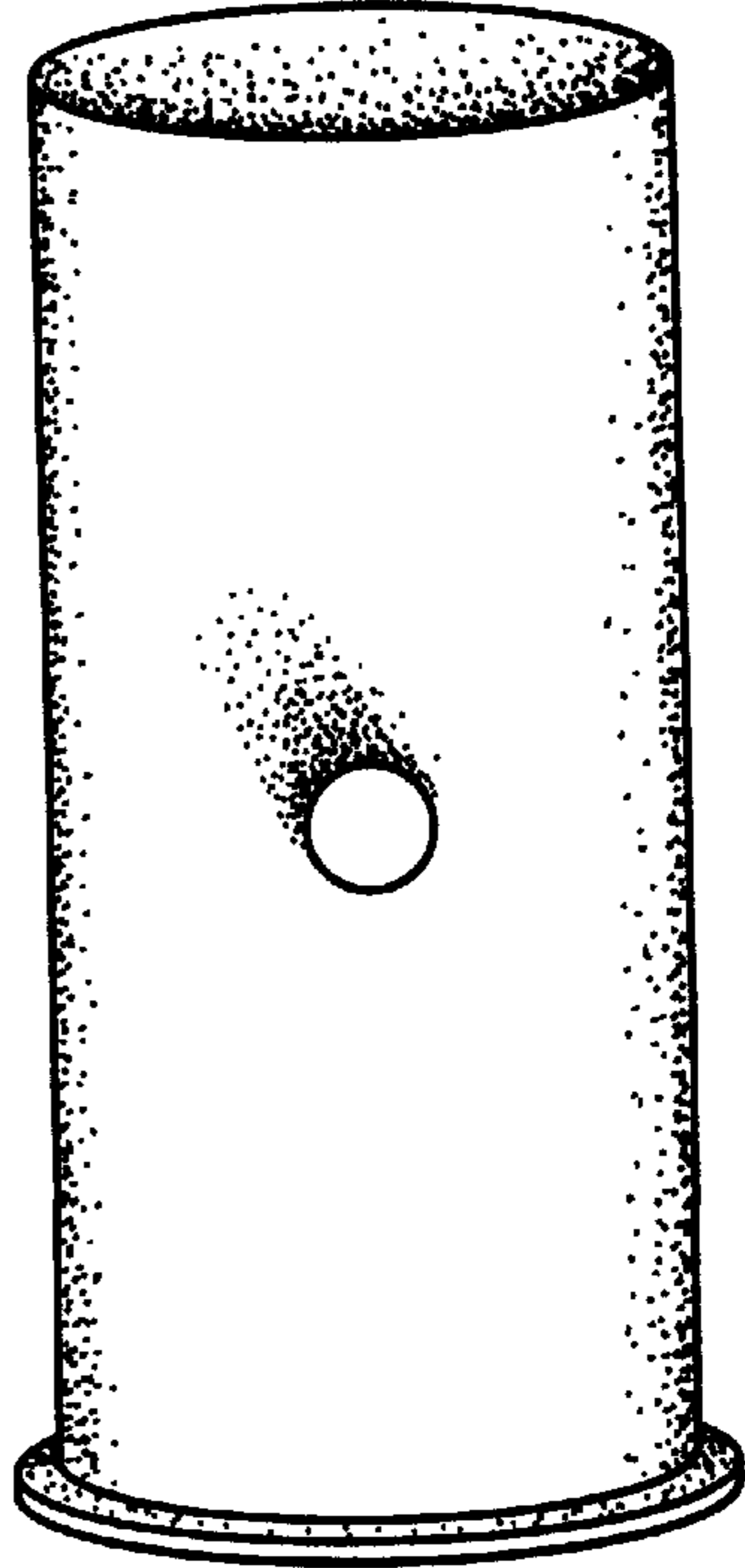
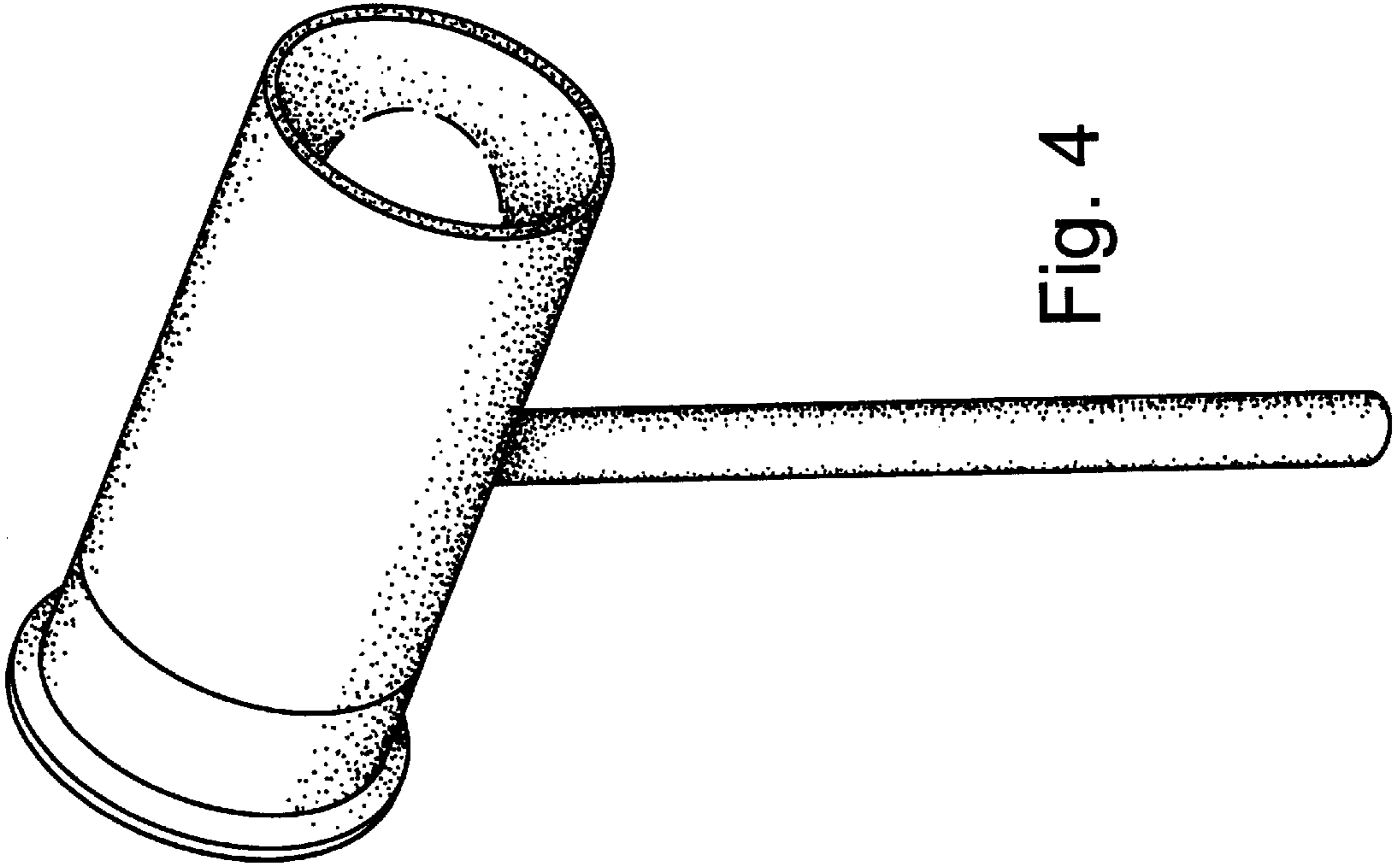


Fig. 4



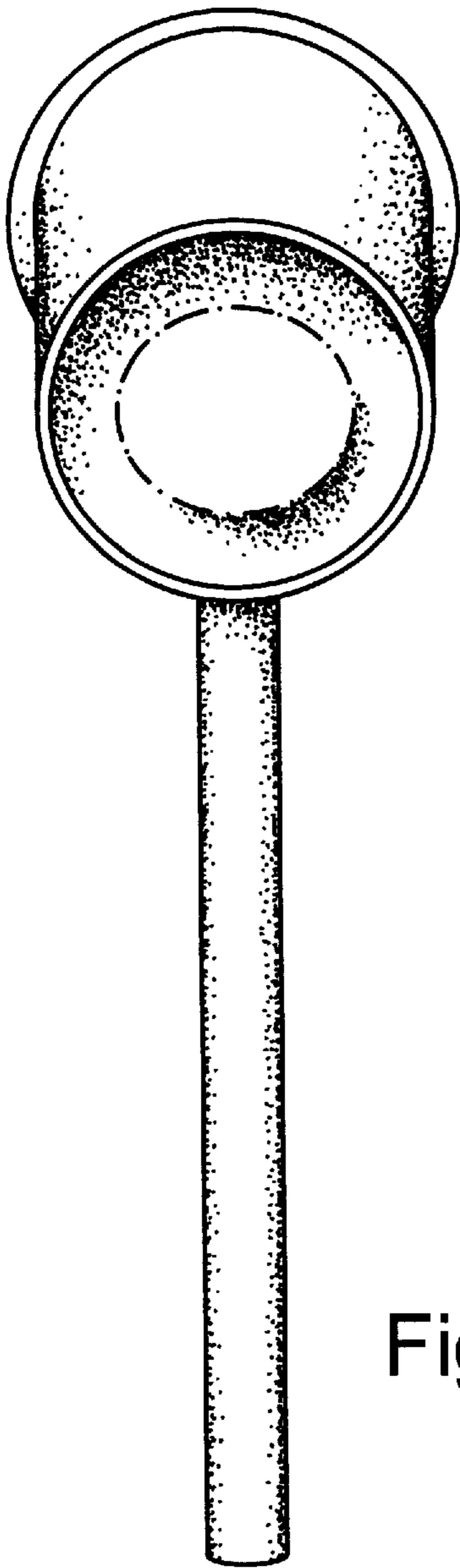


Fig. 5

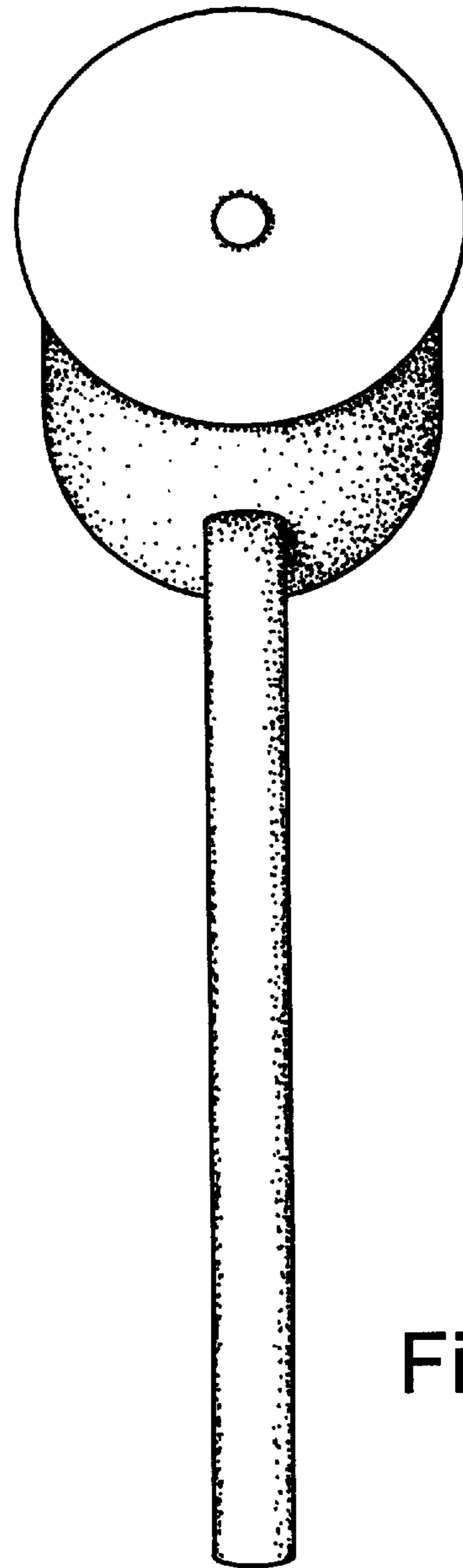


Fig. 6

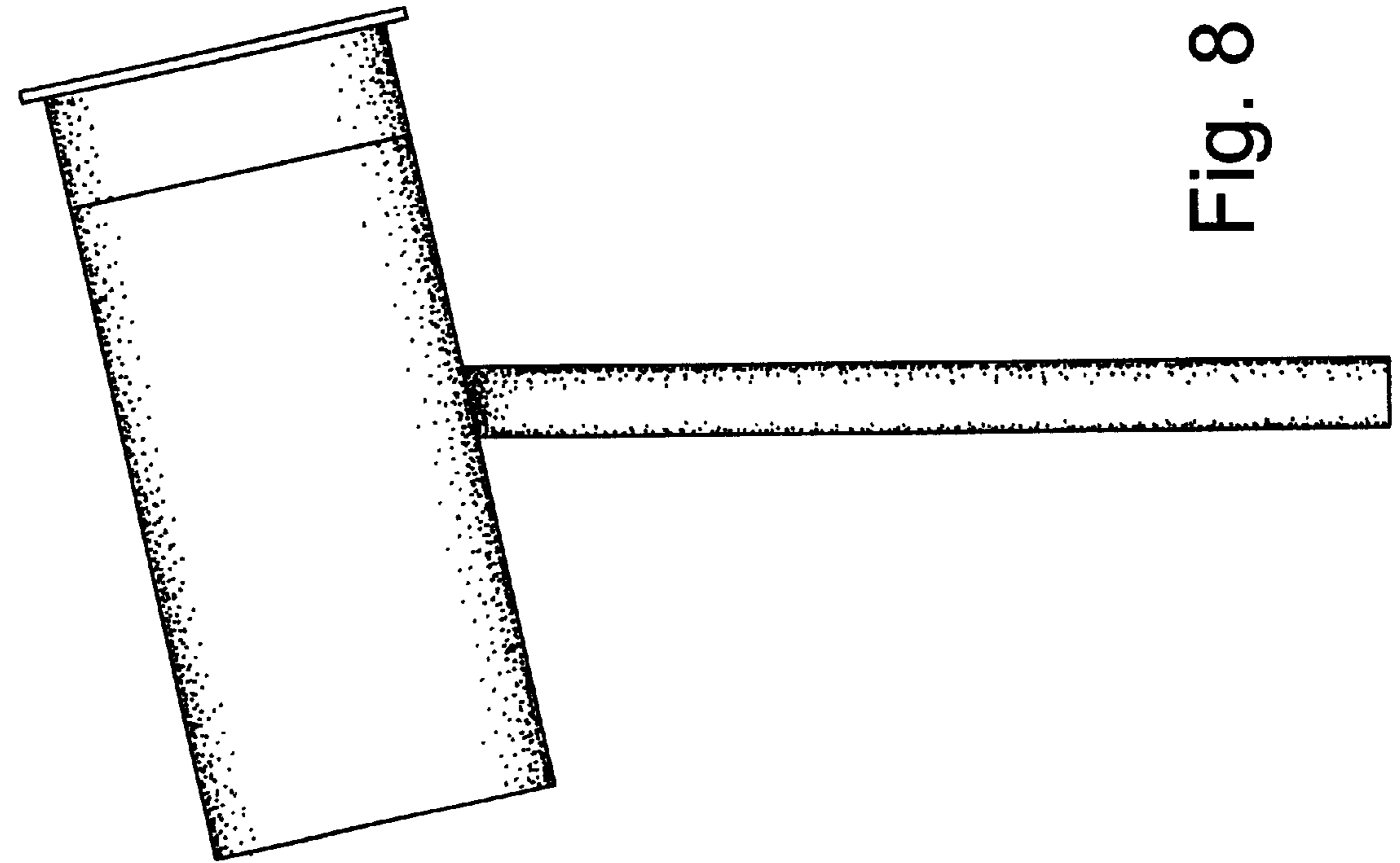


Fig. 7

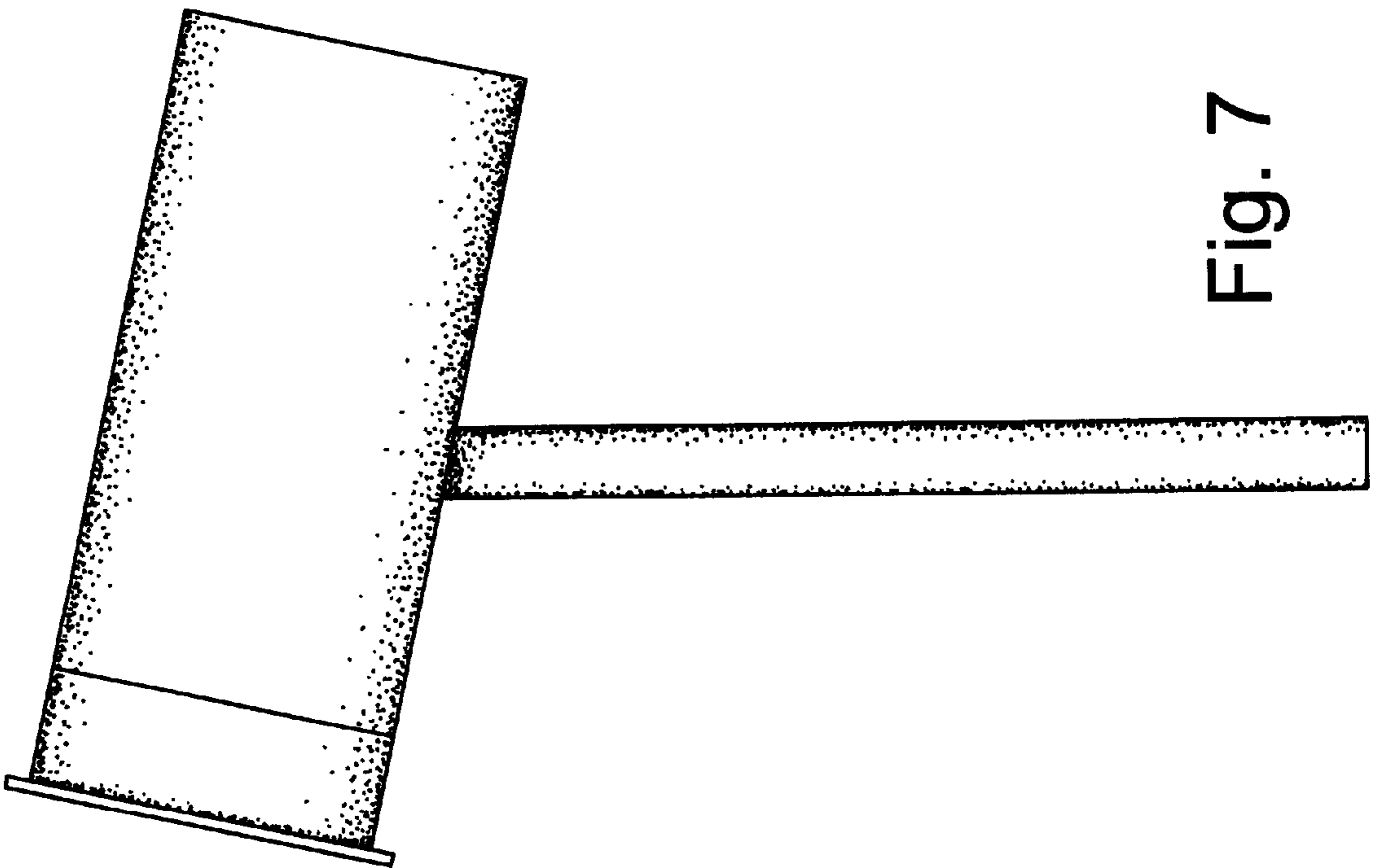


Fig. 8