



US00D466240S

(12) **United States Design Patent** (10) **Patent No.:** **US D466,240 S**
Sinkwitz et al. (45) **Date of Patent:** **** Nov. 26, 2002**

(54) **SURFACE CONFIGURATION OF A TAILLIGHT FOR A VEHICLE**

(75) Inventors: **Hartmut Sinkwitz**, Stuttgart (DE); **Emiel Burki**, Gendt (NL); **Conrad Hummel**, Stuttgart (DE)

(73) Assignee: **Micro Compact Car smart GmbH**, Renningen (DE)

(**) Term: **14 Years**

(21) Appl. No.: **29/156,846**

(22) Filed: **Mar. 11, 2002**

(51) **LOC (7) Cl.** **26-06**

(52) **U.S. Cl.** **D26/28**

(58) **Field of Search** D26/28-36, 139;
362/61, 80, 81, 82, 83.4, 267, 330, 336,
337

(56) **References Cited**

U.S. PATENT DOCUMENTS

- D370,985 S * 6/1996 Sacco et al. D26/28
- D388,200 S * 12/1997 Tomforde et al. D26/28

* cited by examiner

Primary Examiner—Marcus A. Jackson

(74) *Attorney, Agent, or Firm*—Crowell & Moring LLP

(57) **CLAIM**

The ornamental design for a surface configuration of a taillight for a vehicle, as shown and described.

DESCRIPTION

This application is related to the following co-pending application, filed on even date herewith: Application Ser. No. 29/156,845, entitled "Surface Configuration of a Vehicle, Toy and Miscellaneous Consumer Products Incorporating the Design".

FIG. 1 is a perspective view of a first embodiment of a surface configuration of a taillight for a vehicle according to our novel design;

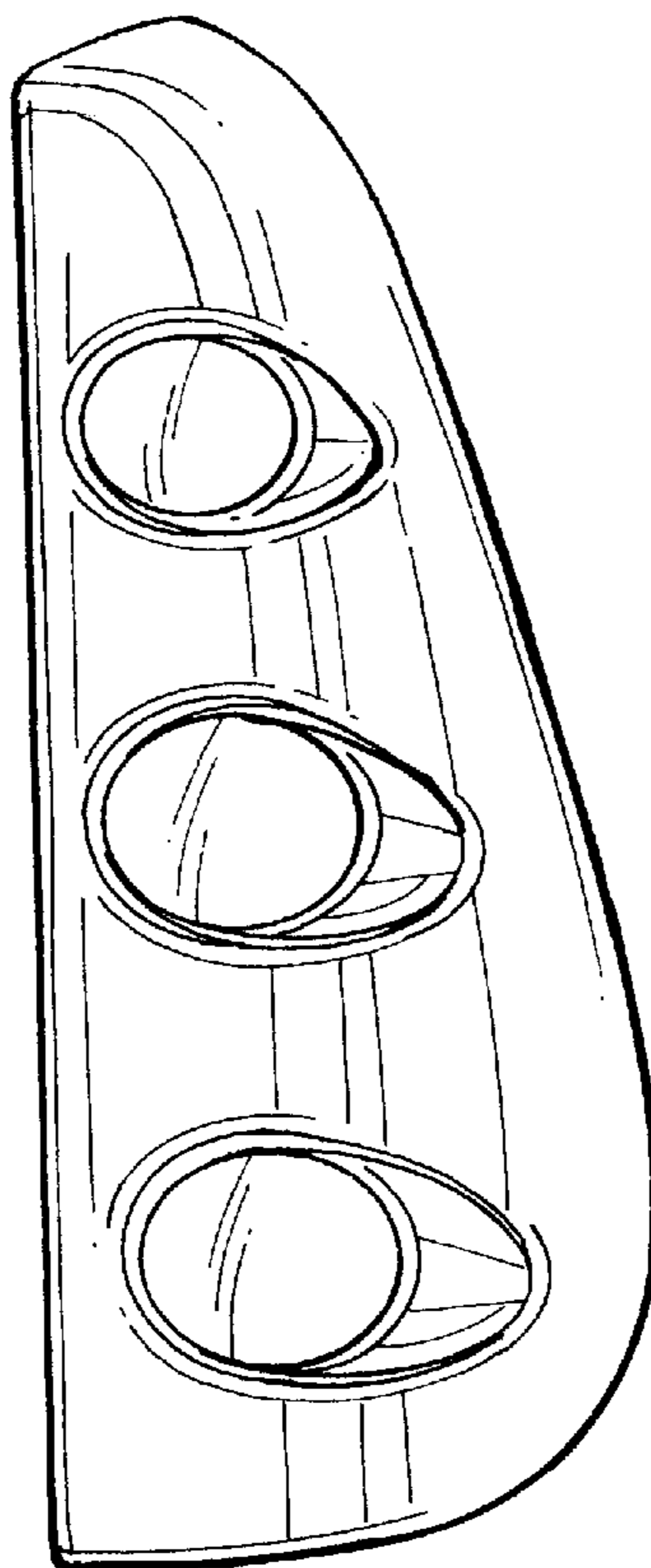
FIG. 2 is a front view of the first embodiment of the surface configuration of a taillight for a vehicle according to our novel design;

FIG. 3 is a front view of a second embodiment of the surface configuration of a taillight for a vehicle according to our novel design; and,

FIG. 4 is a perspective view of the second embodiment of the surface configuration of a taillight for a vehicle according to our novel design.

The dash lines included depict environment and are not part of the claimed design.

1 Claim, 1 Drawing Sheet



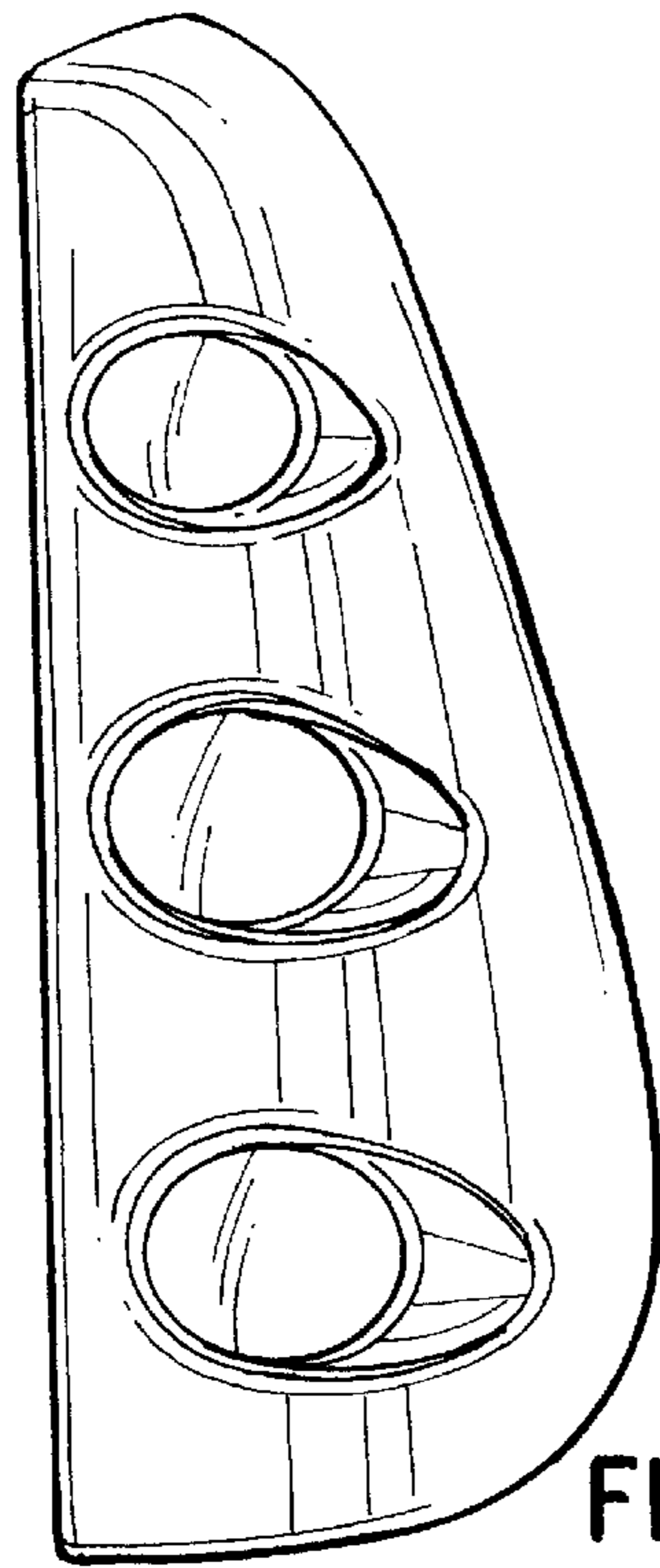


FIG. 1

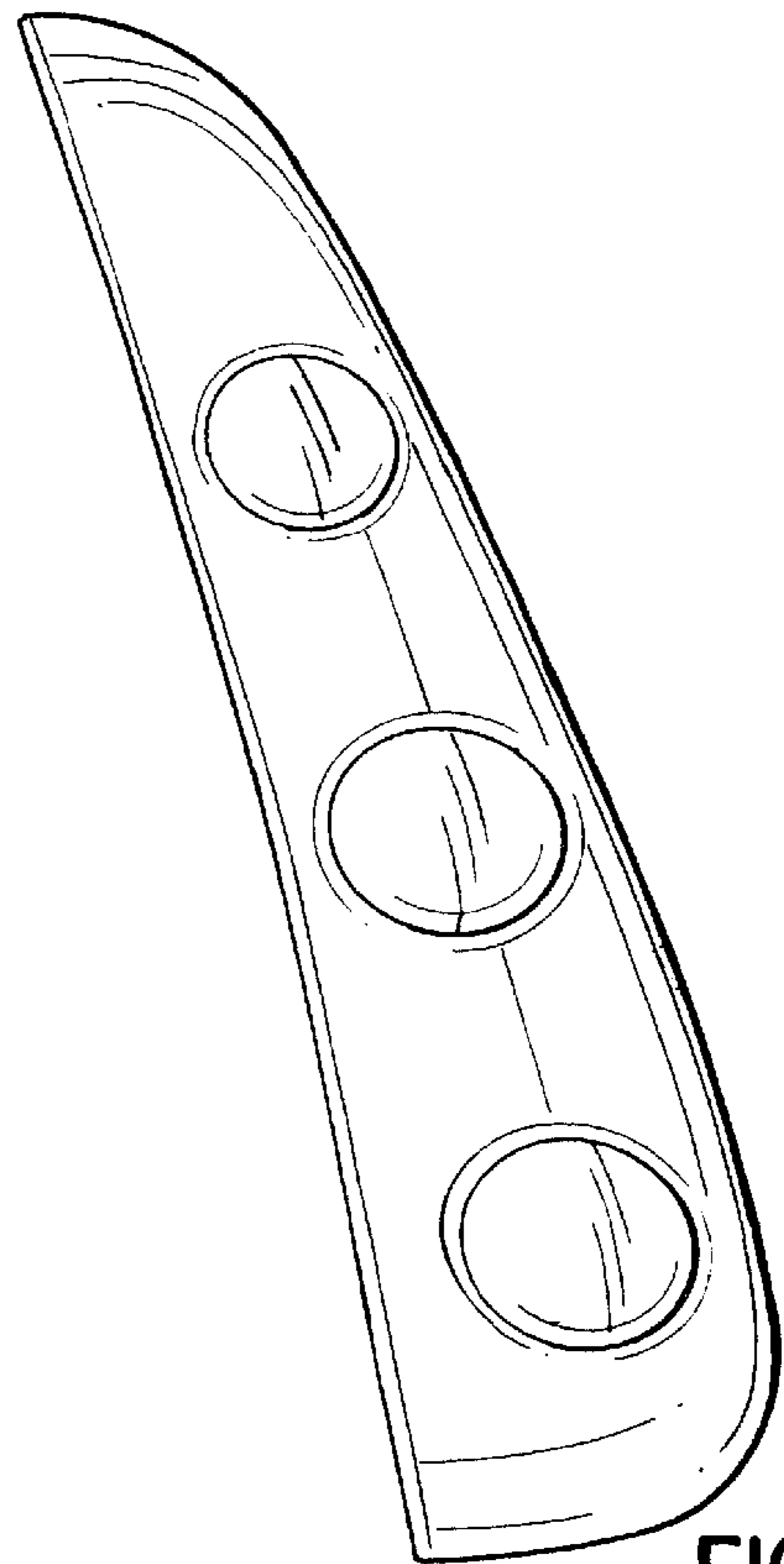


FIG. 2

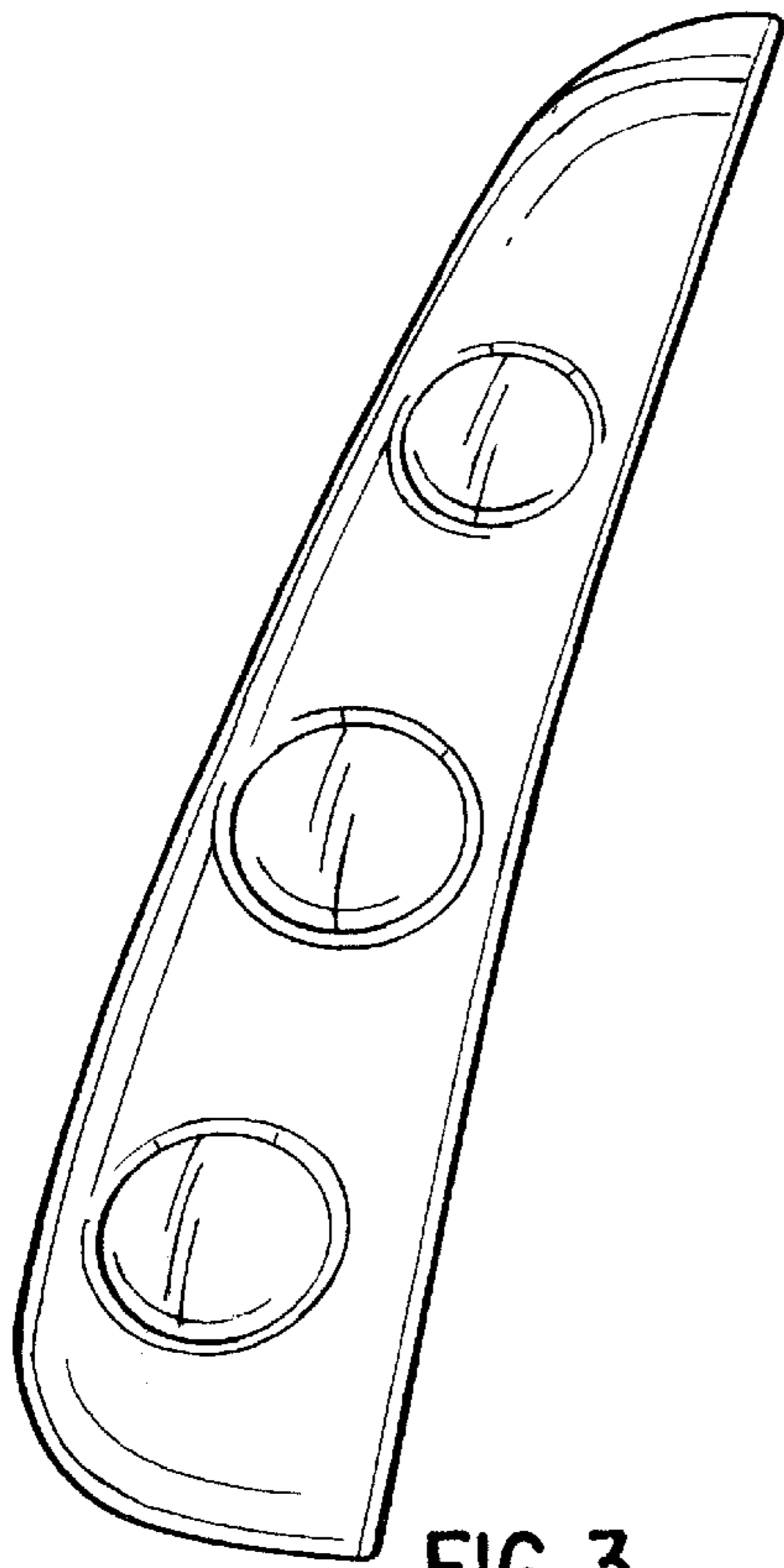


FIG. 3

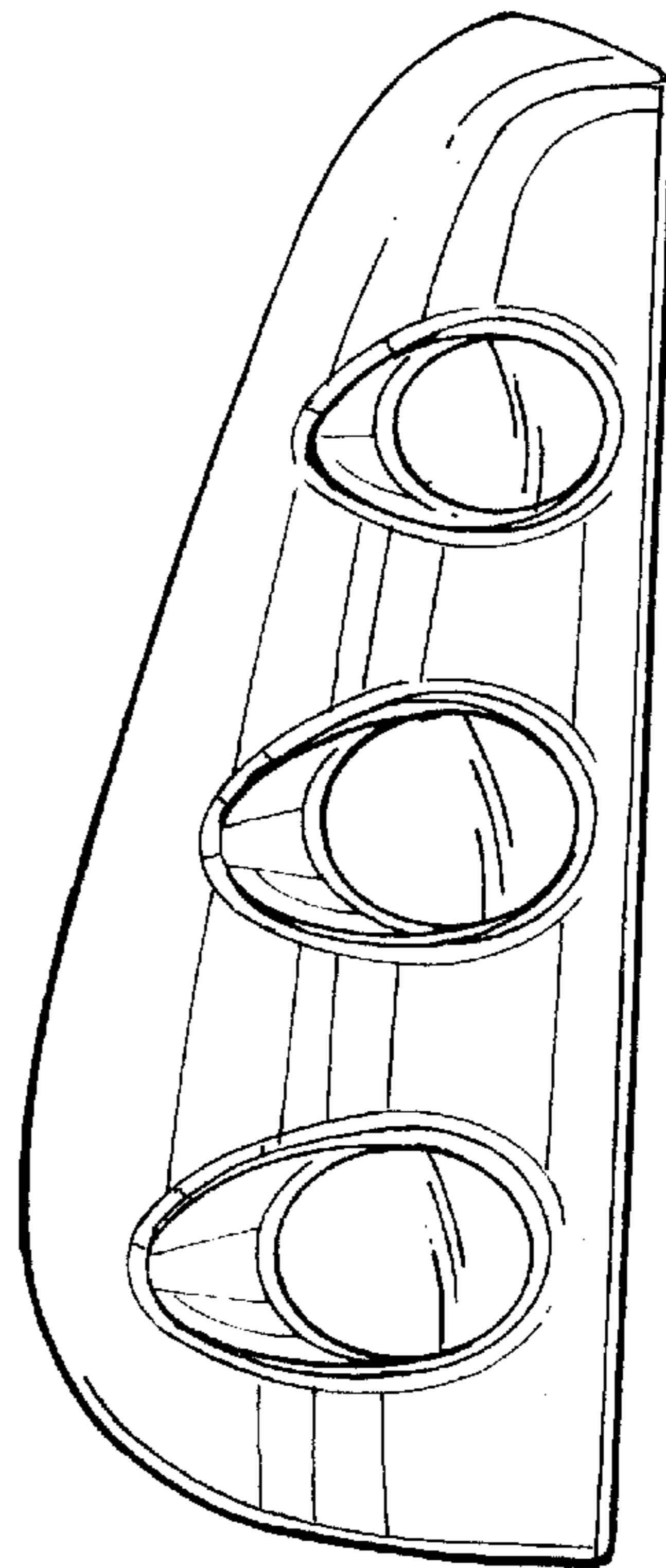


FIG. 4