



US00D466238S

(12) **United States Design Patent**
Tsai

(10) **Patent No.:** **US D466,238 S**

(45) **Date of Patent:** **** Nov. 26, 2002**

(54) **TAIL LIGHT**

D406,912 S * 3/1999 Sacco et al. D26/28
D455,509 S * 4/2002 Schroeder et al. D26/28

(75) **Inventor:** **Yung-Chang Tsai, Tainan (TW)**

* cited by examiner

(73) **Assignee:** **TYC Brother Industrial Co., Ltd. (TW)**

Primary Examiner—Marcus A. Jackson
(74) *Attorney, Agent, or Firm*—Ostrolenk, Faber, Gerb & Soffen, LLP

(**) **Term:** **14 Years**

(21) **Appl. No.:** **29/154,573**

(57) **CLAIM**

The ornamental design for tail light, as shown and described.

(22) **Filed:** **Jan. 25, 2002**

DESCRIPTION

(51) **LOC (7) Cl.** **26-04**

(52) **U.S. Cl.** **D26/28**

(58) **Field of Search** D26/28-36; 362/61,
362/80, 83.4, 267, 269, 275, 278, 327,
328, 329, 330-340

FIG. 1 is a perspective view of tail light showing my new design;

FIG. 2 is a front elevational view thereof;

FIG. 3 is a rear elevational view thereof;

FIG. 4 is a left side elevational view thereof;

FIG. 5 is a right side elevational view thereof;

FIG. 6 is a top plan view thereof; and,

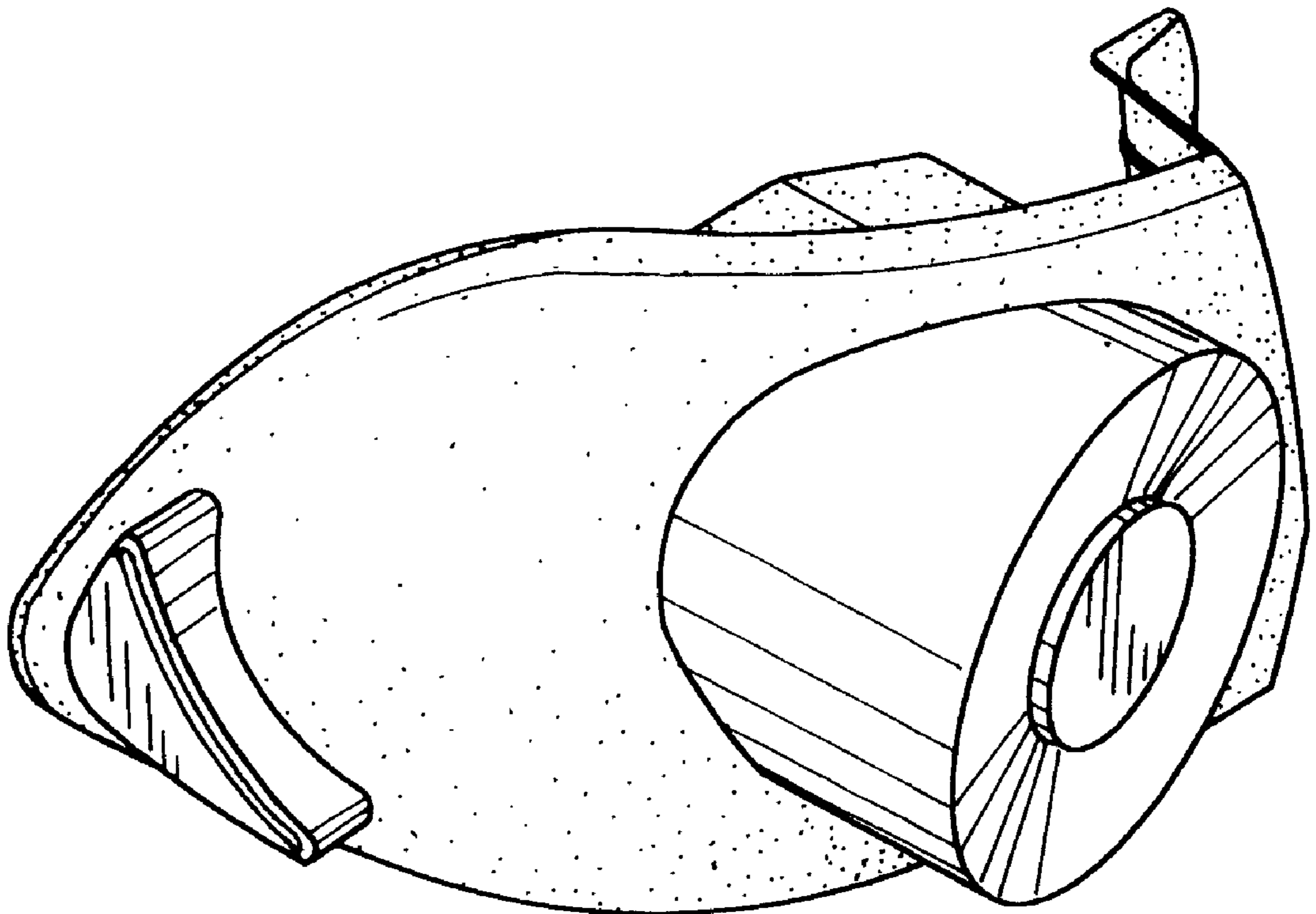
FIG. 7 is a bottom plan view thereof.

(56) **References Cited**

U.S. PATENT DOCUMENTS

D400,273 S * 10/1998 Manske et al. D26/28

1 Claim, 4 Drawing Sheets



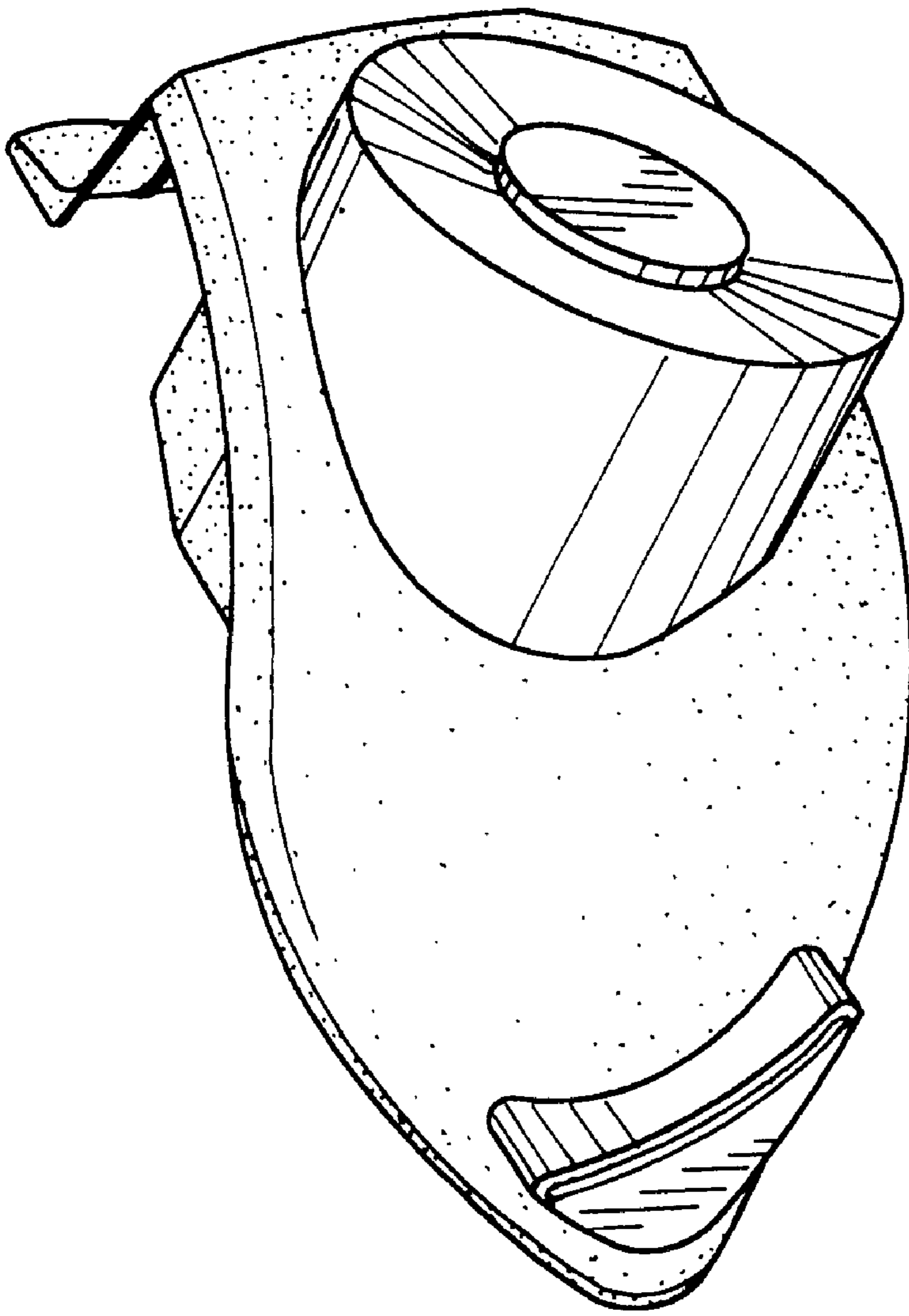


FIG. 1

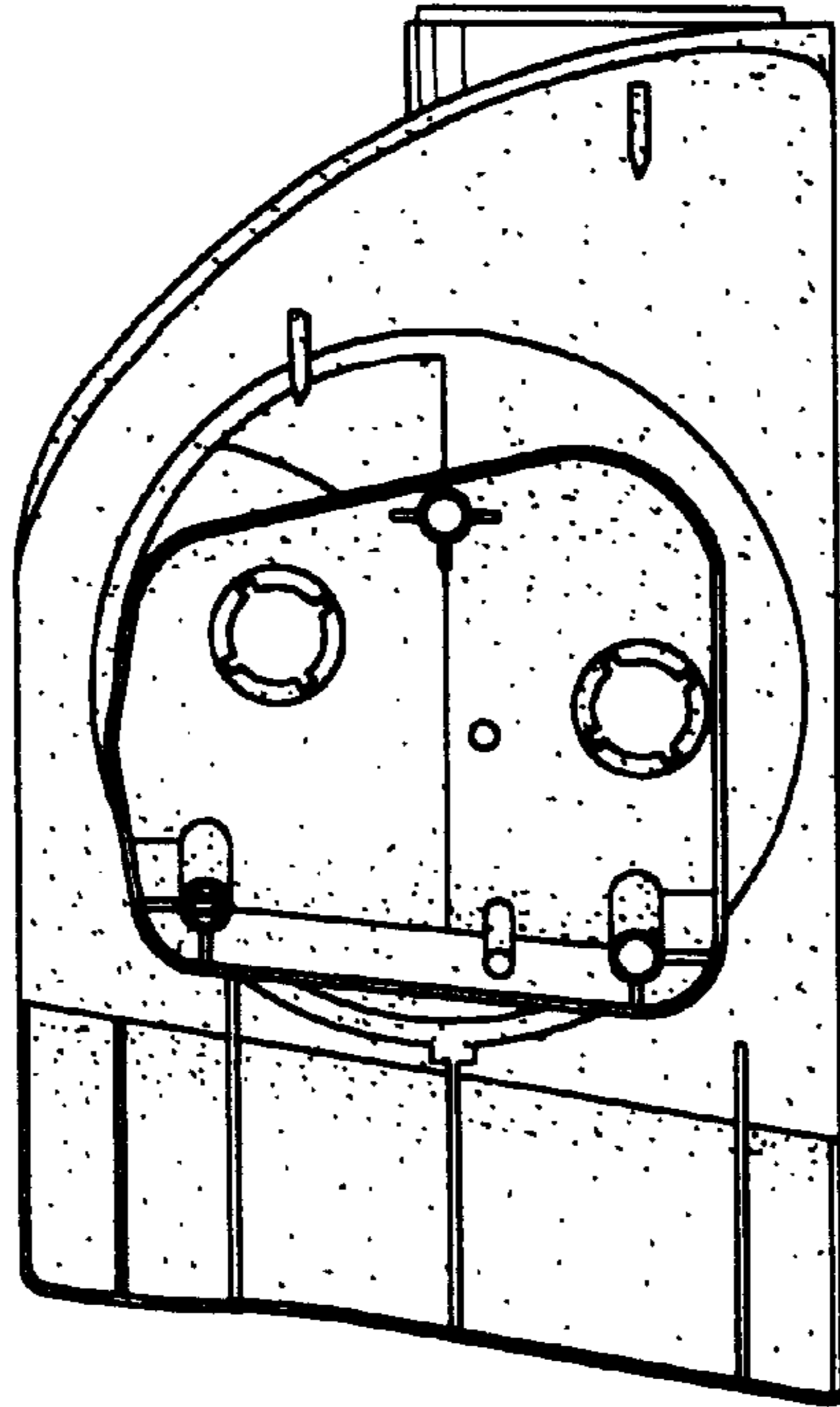


FIG. 2

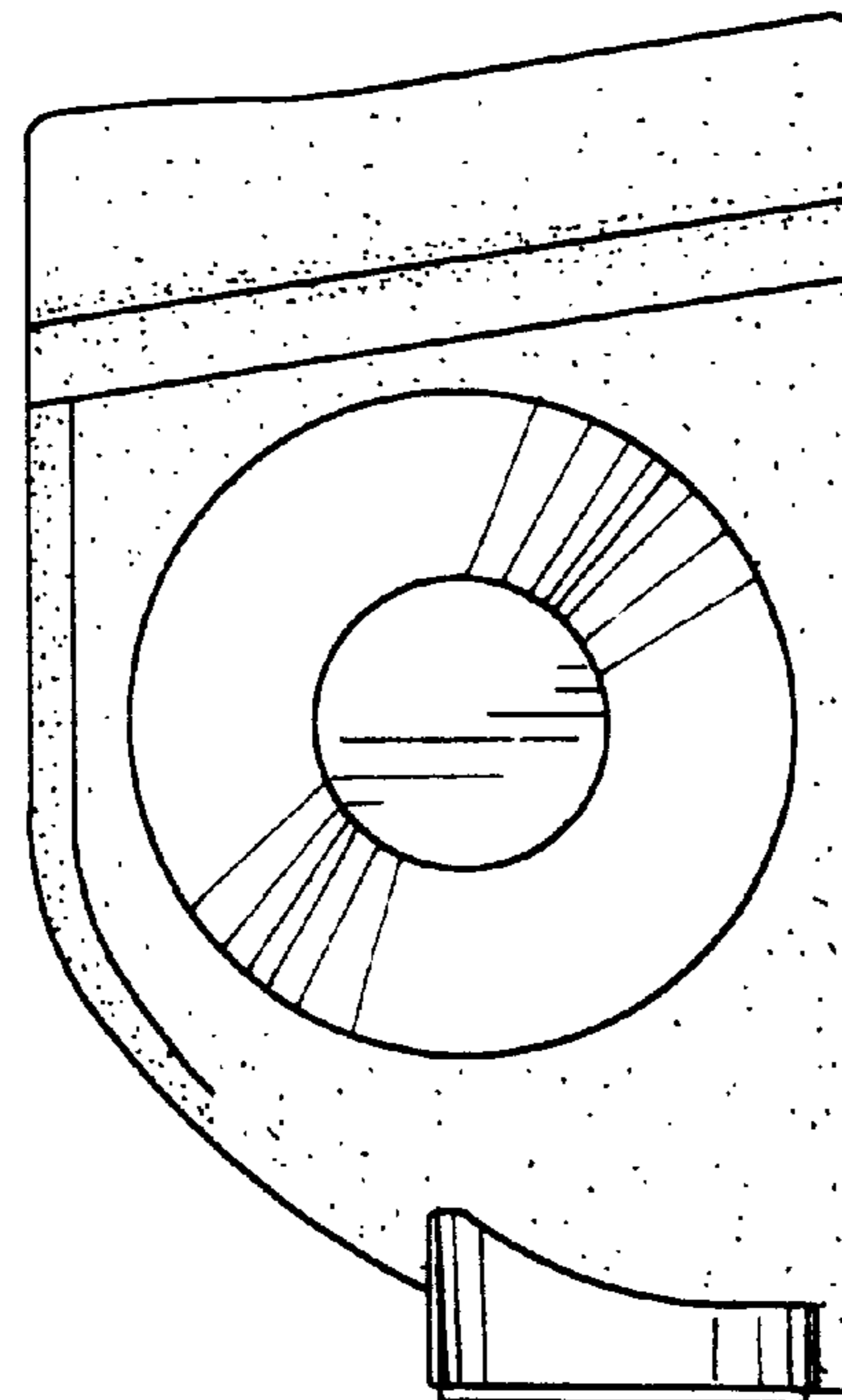


FIG. 3

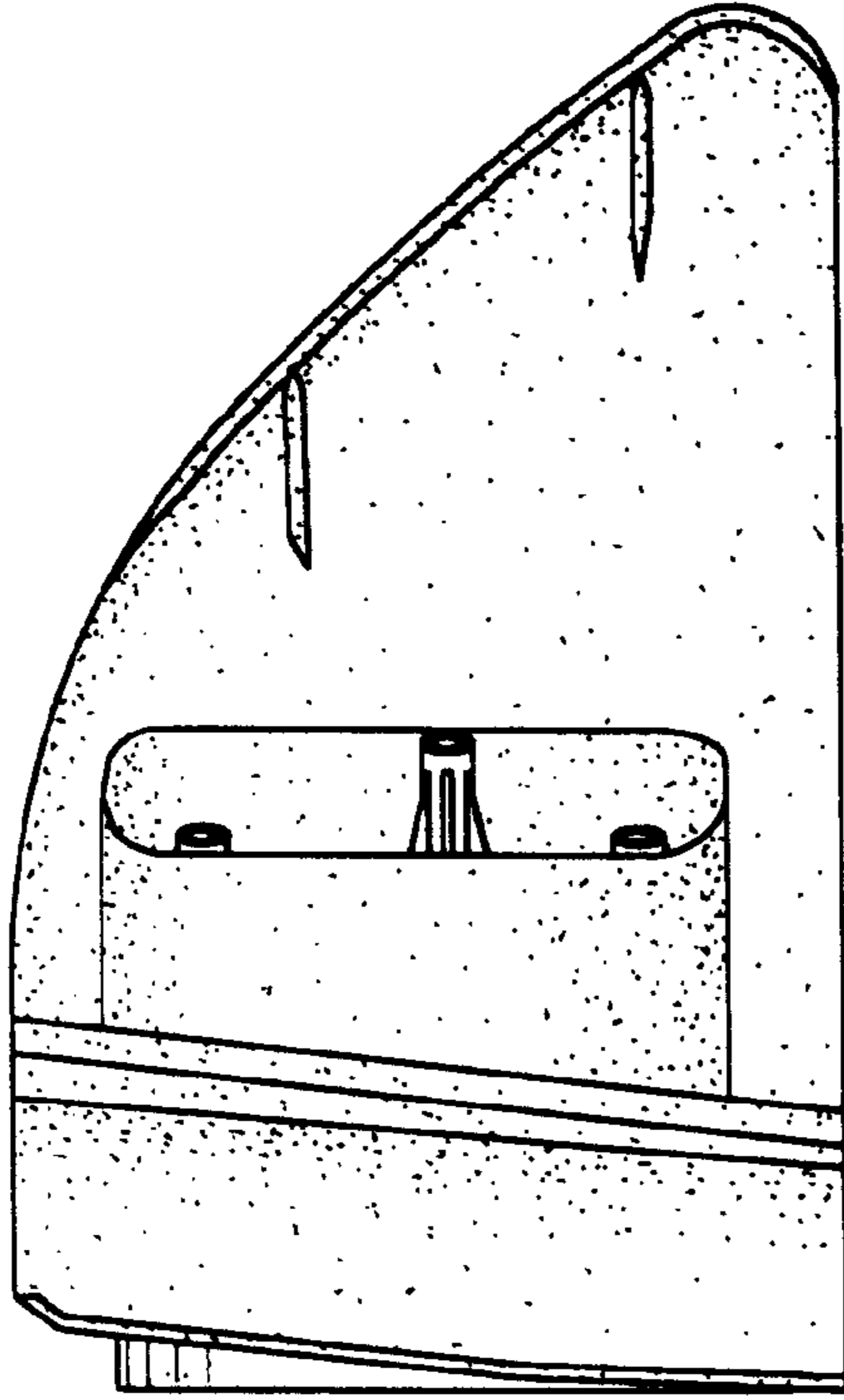


FIG. 5

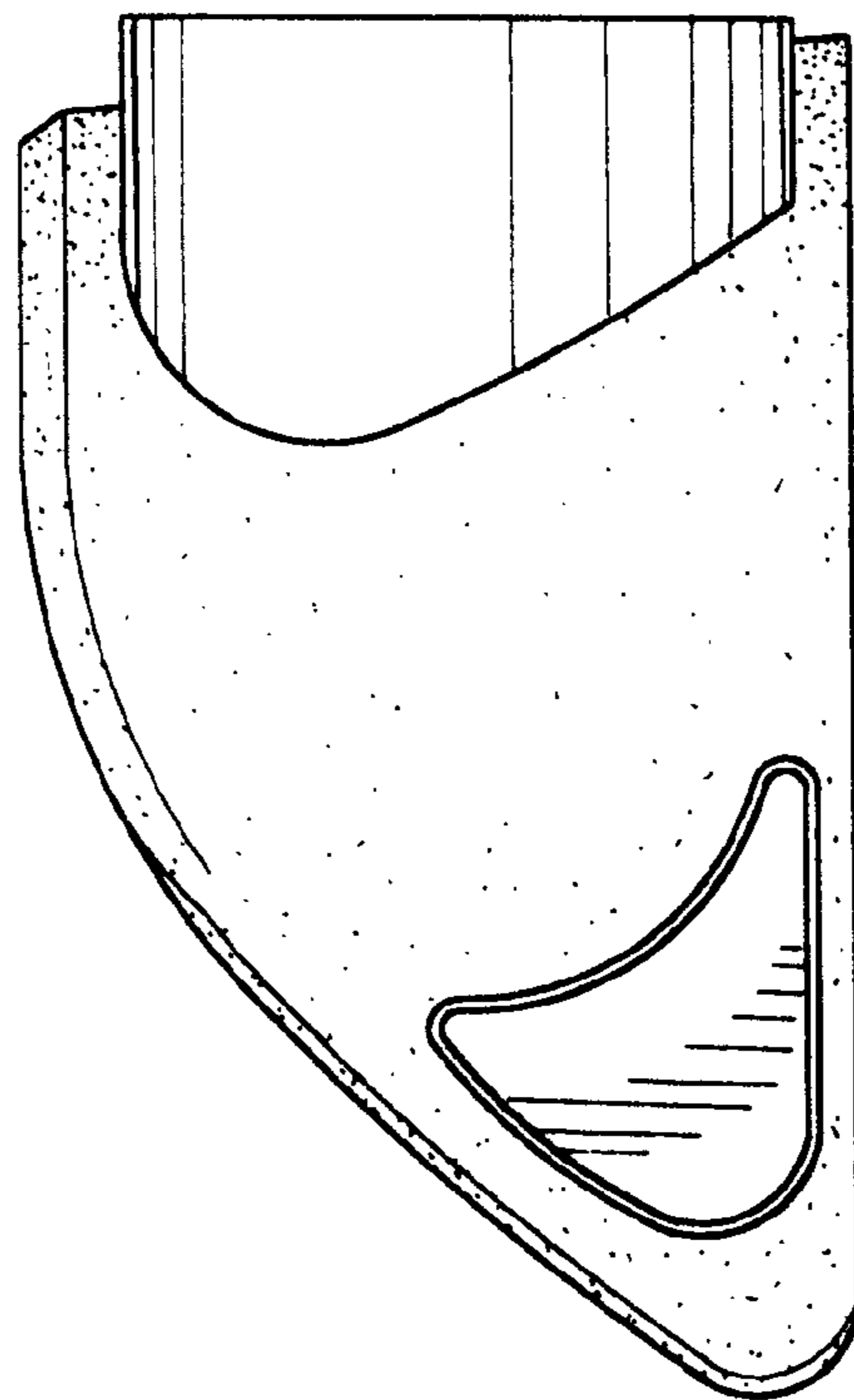


FIG. 4

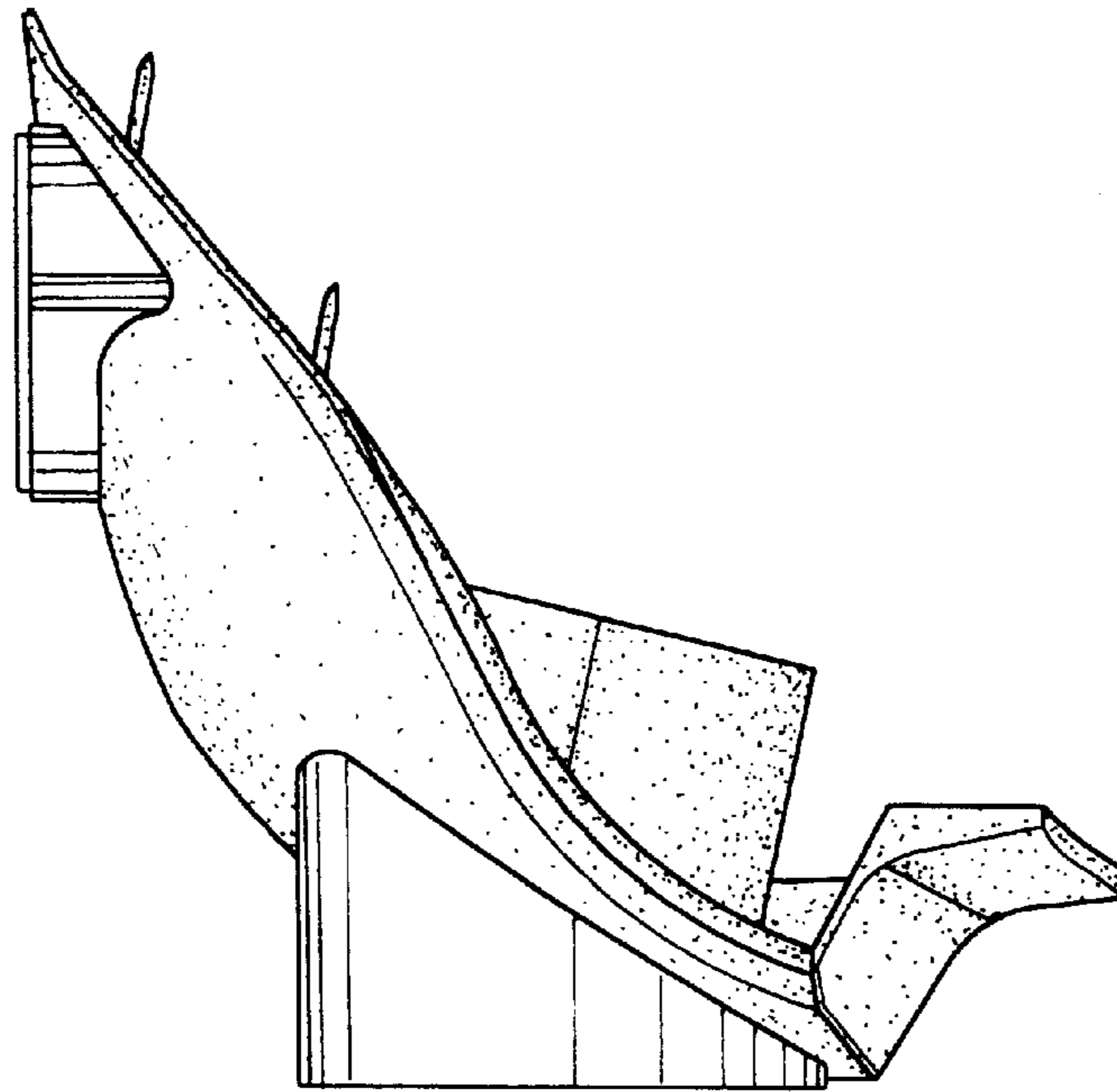


FIG. 6

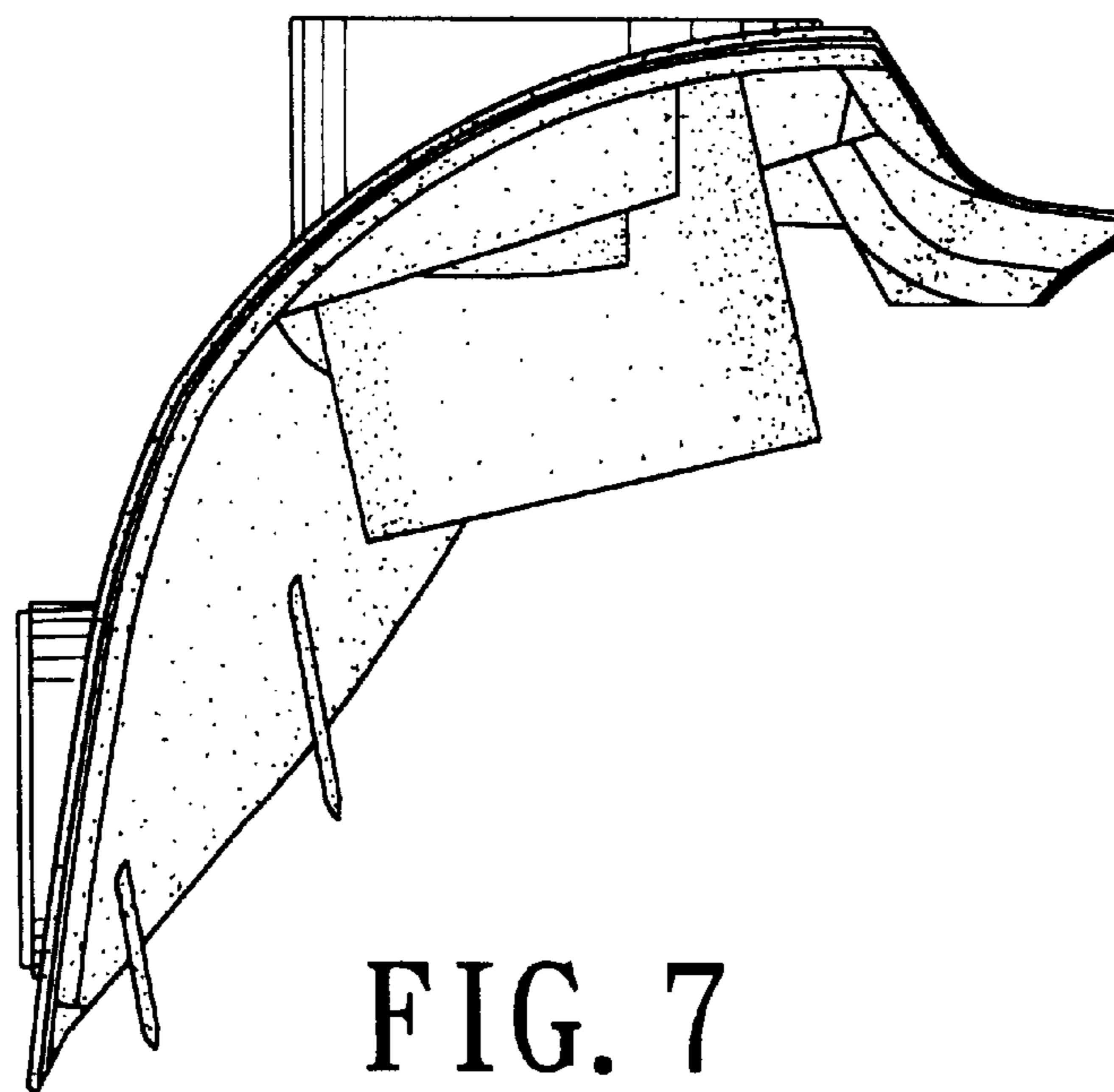


FIG. 7