



US00D466237S

(12) **United States Design Patent**  
**Yu**

(10) **Patent No.:** **US D466,237 S**

(45) **Date of Patent:** **\*\* Nov. 26, 2002**

(54) **NIGHT LIGHT**

(76) Inventor: **Jeff Yu**, 1101 S. Winchester Blvd.  
#D146, San Jose, CA (US) 95128

(\*\*) Term: **14 Years**

(21) Appl. No.: **29/156,155**

(22) Filed: **Feb. 26, 2002**

(51) **LOC (7) Cl.** ..... **26-05**

(52) **U.S. Cl.** ..... **D26/26**

(58) **Field of Search** ..... D26/4, 16, 32,  
D26/57, 73, 94, 95, 101, 125, 146, 147,  
156, 26, 93, 104, 127; D13/137.2, 137.1,  
139.1; 362/226, 338, 340, 95, 335, 337,  
353, 361, 806, 809, 810, 458

(56) **References Cited**

**U.S. PATENT DOCUMENTS**

D73,251 S	*	8/1927	De Lugo et al.	.....	D26/125
D225,754 S	*	1/1973	Goforth et al.	.....	D21/833
D332,499 S	*	1/1993	Beeson	.....	D26/26
D393,084 S	*	3/1998	Hergert	.....	D26/26

**OTHER PUBLICATIONS**

Hong Kong Enterprise Oct. 1998; p. 1462; Golden States Enterprises' Night-Light # 6101.\*

\* cited by examiner

*Primary Examiner*—Alan P. Douglas

*Assistant Examiner*—Clare E. Heflin

(57) **CLAIM**

The ornamental design for a night light, as shown and described.

**DESCRIPTION**

FIG. 1 is a front perspective view of a night light having a transparent cover;

FIG. 2 is a front elevational view thereof;

FIG. 3 is a top view thereof;

FIG. 4 is a right elevational view thereof;

FIG. 5 is a bottom view thereof;

FIG. 6 is a rear view thereof;

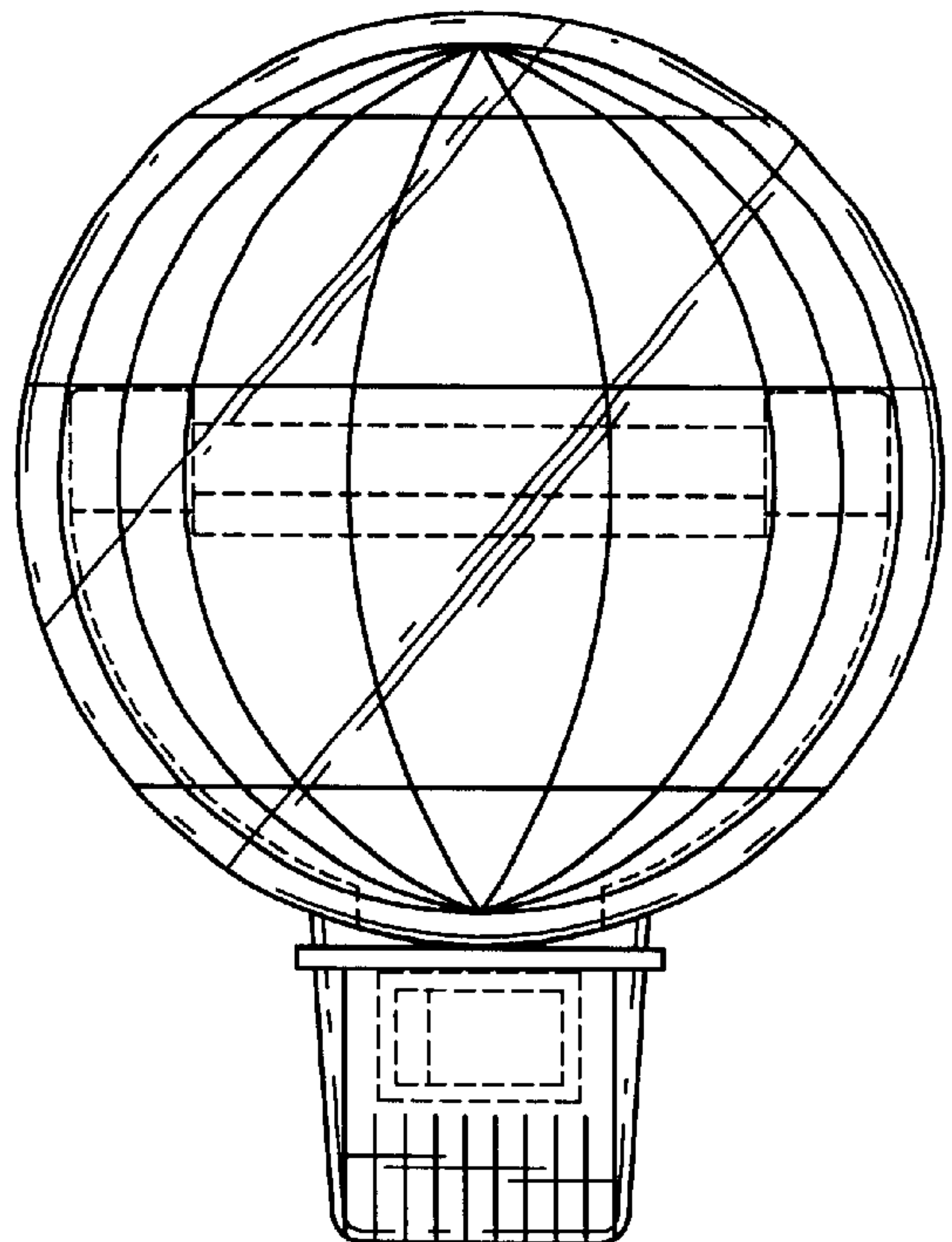
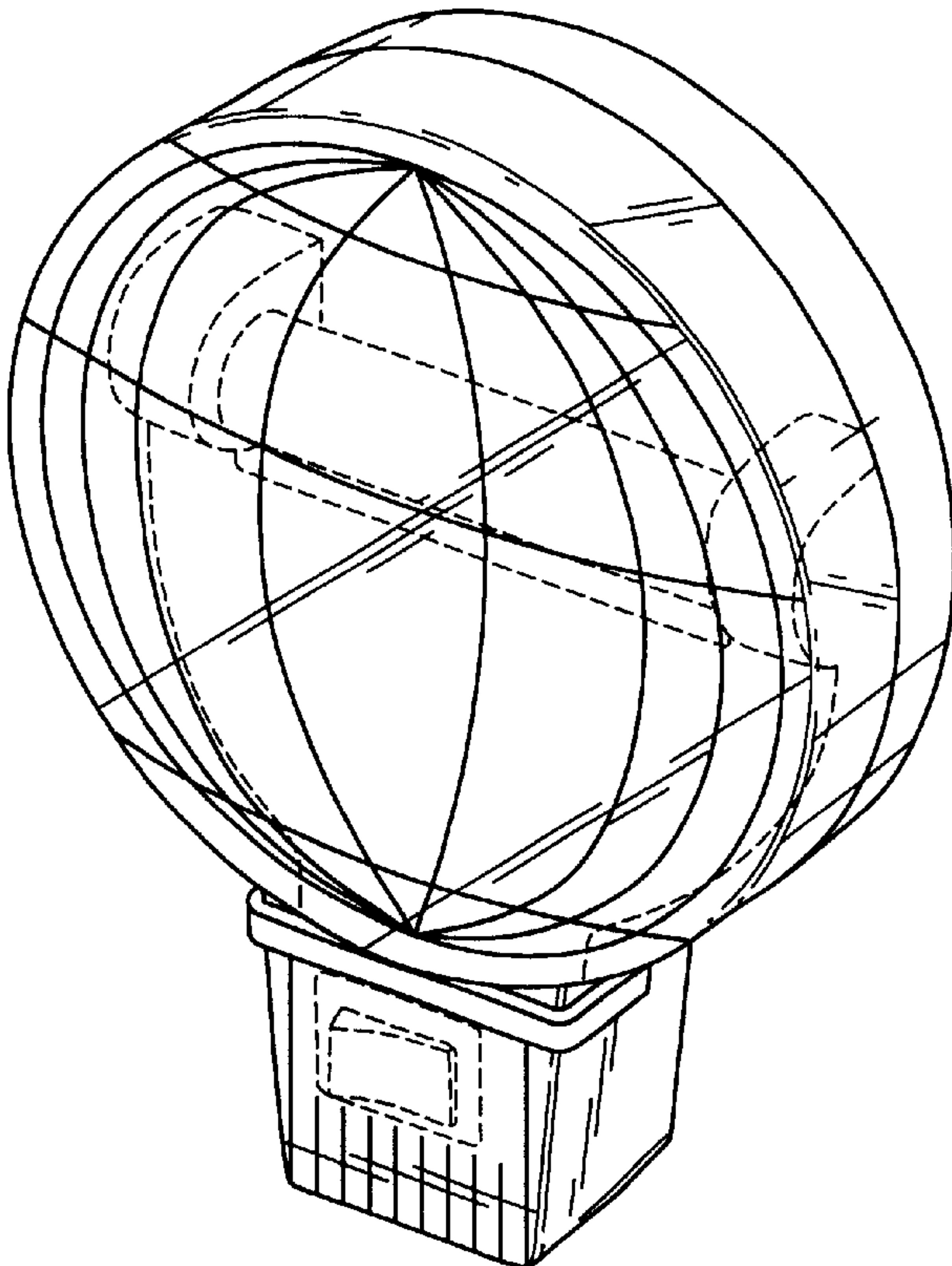
FIG. 7 is a front elevational view of another embodiment of the night light having a translucent cover;

FIG. 8 is a top view thereof; and,

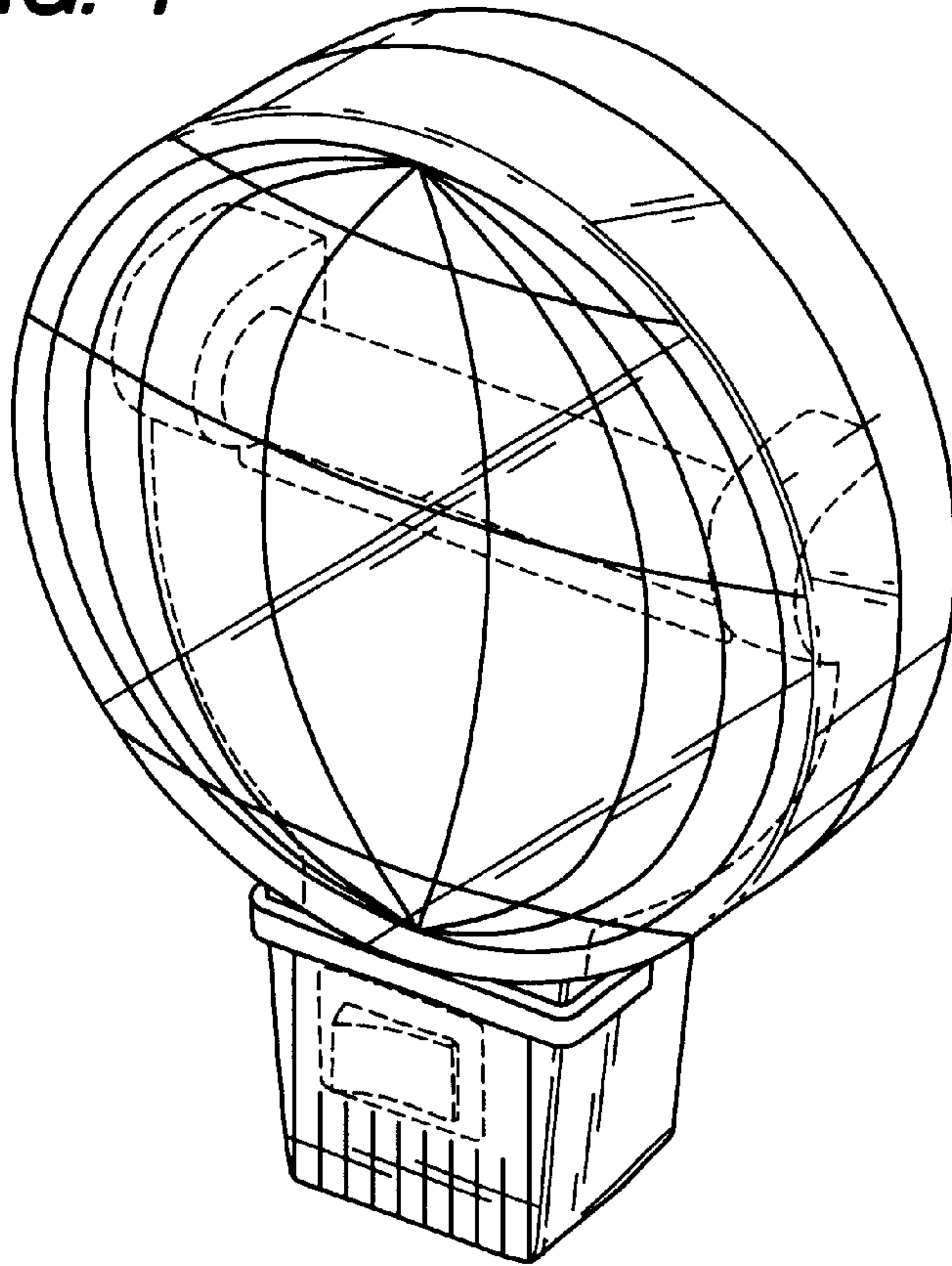
FIG. 9 is a right elevational view thereof.

The broken lines shown on the drawings are for illustrative purposes only and form no part of the claimed design.

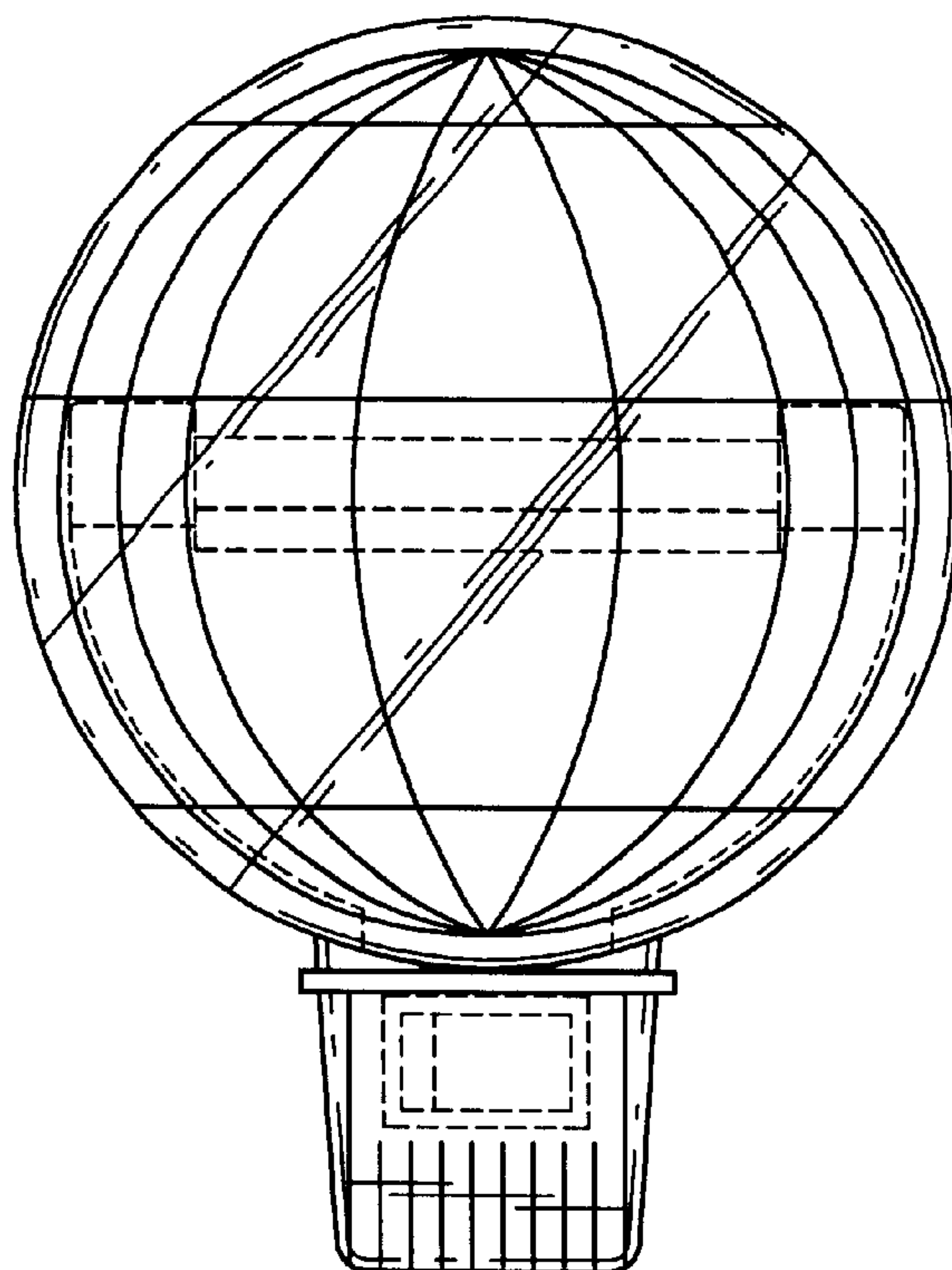
**1 Claim, 4 Drawing Sheets**



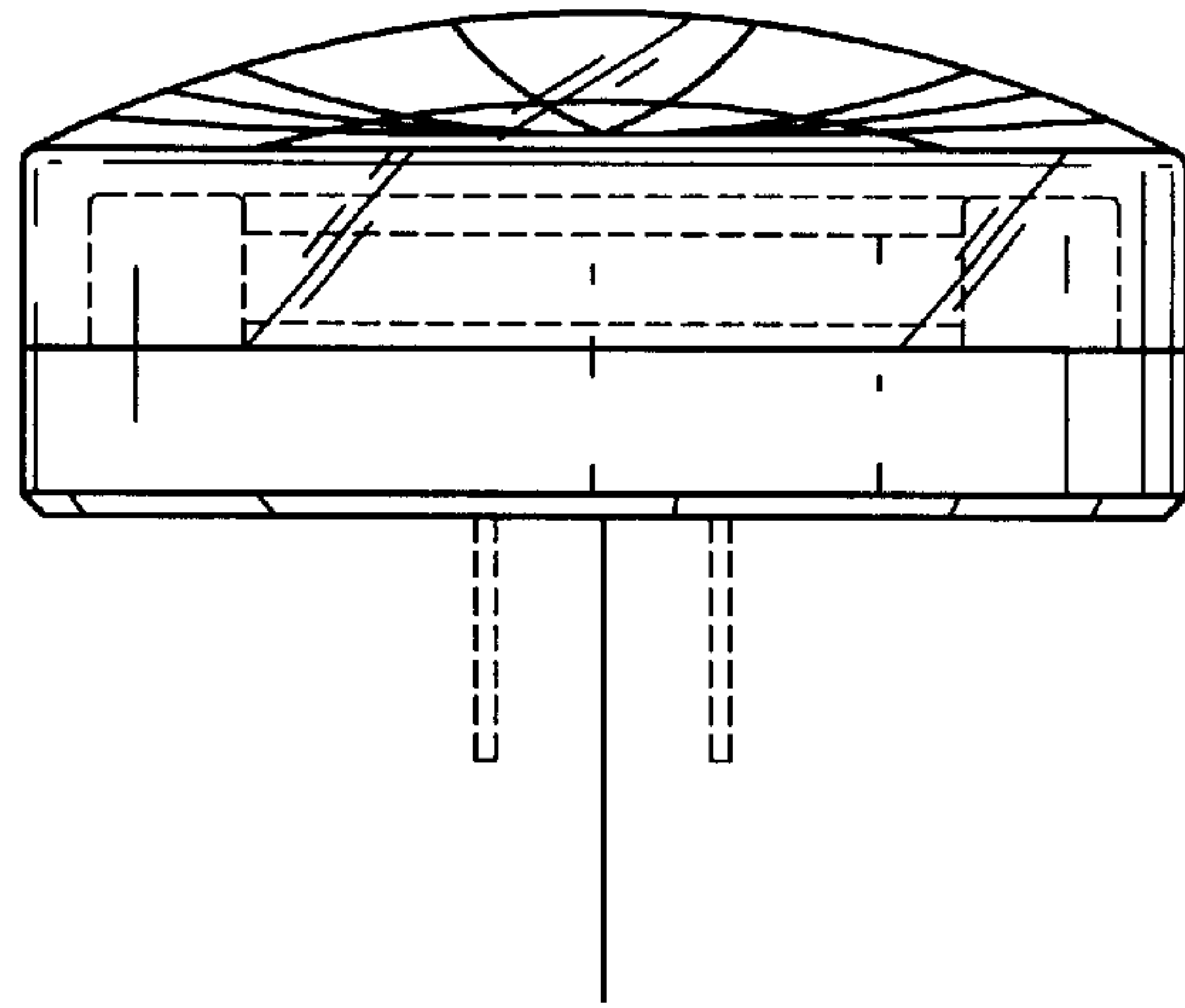
**FIG. 1**



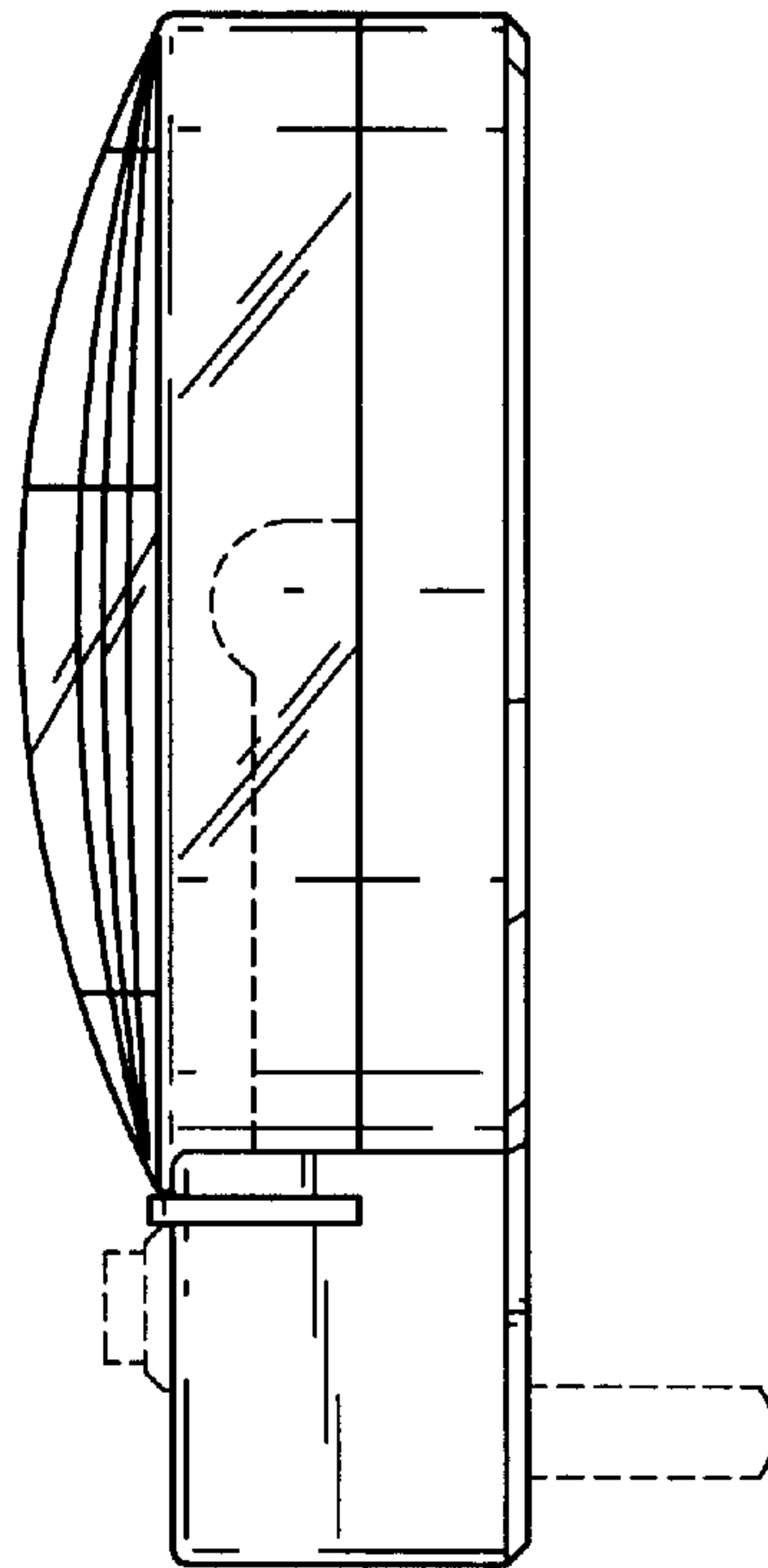
**FIG. 2**



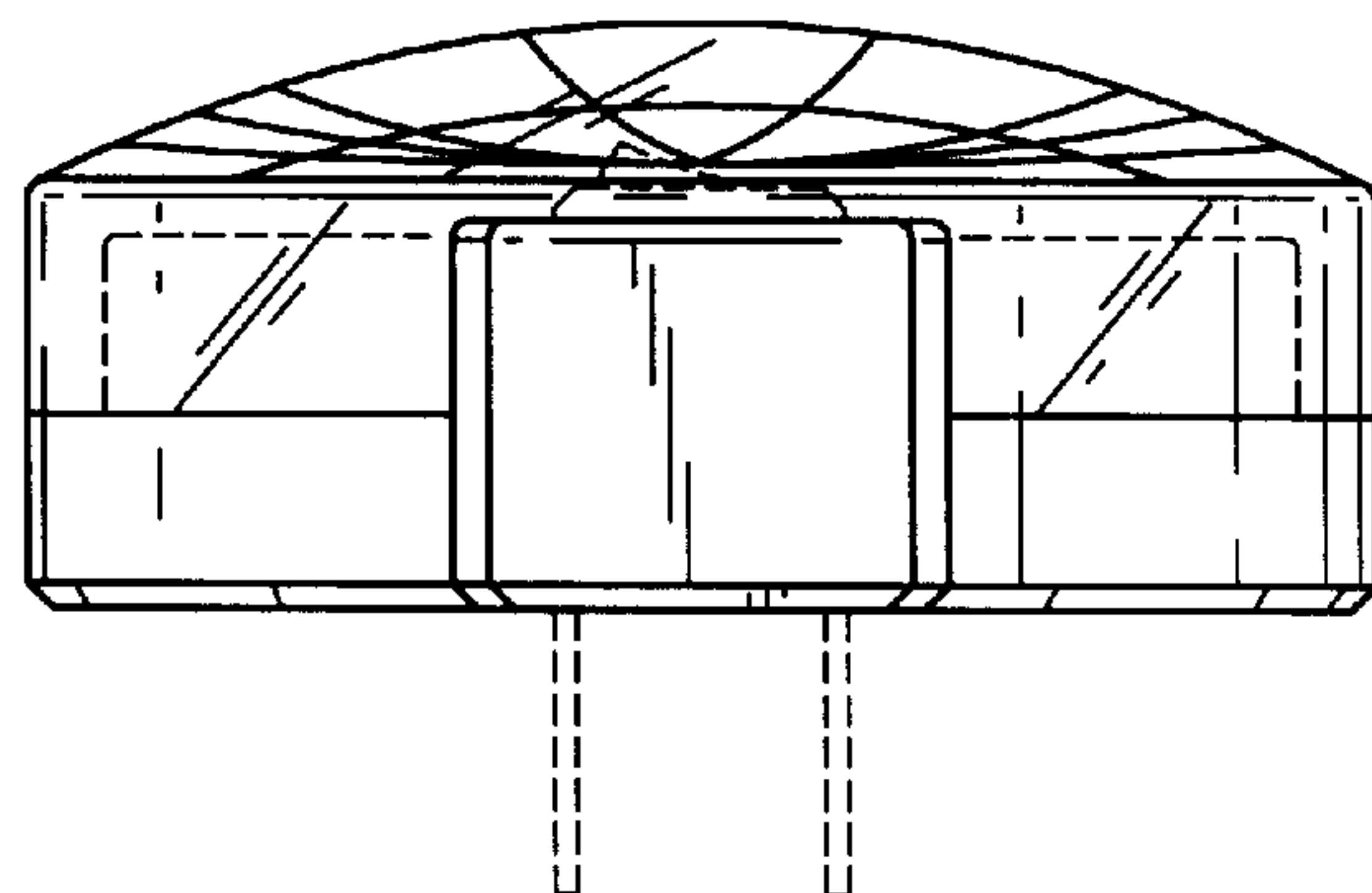
**FIG. 3**



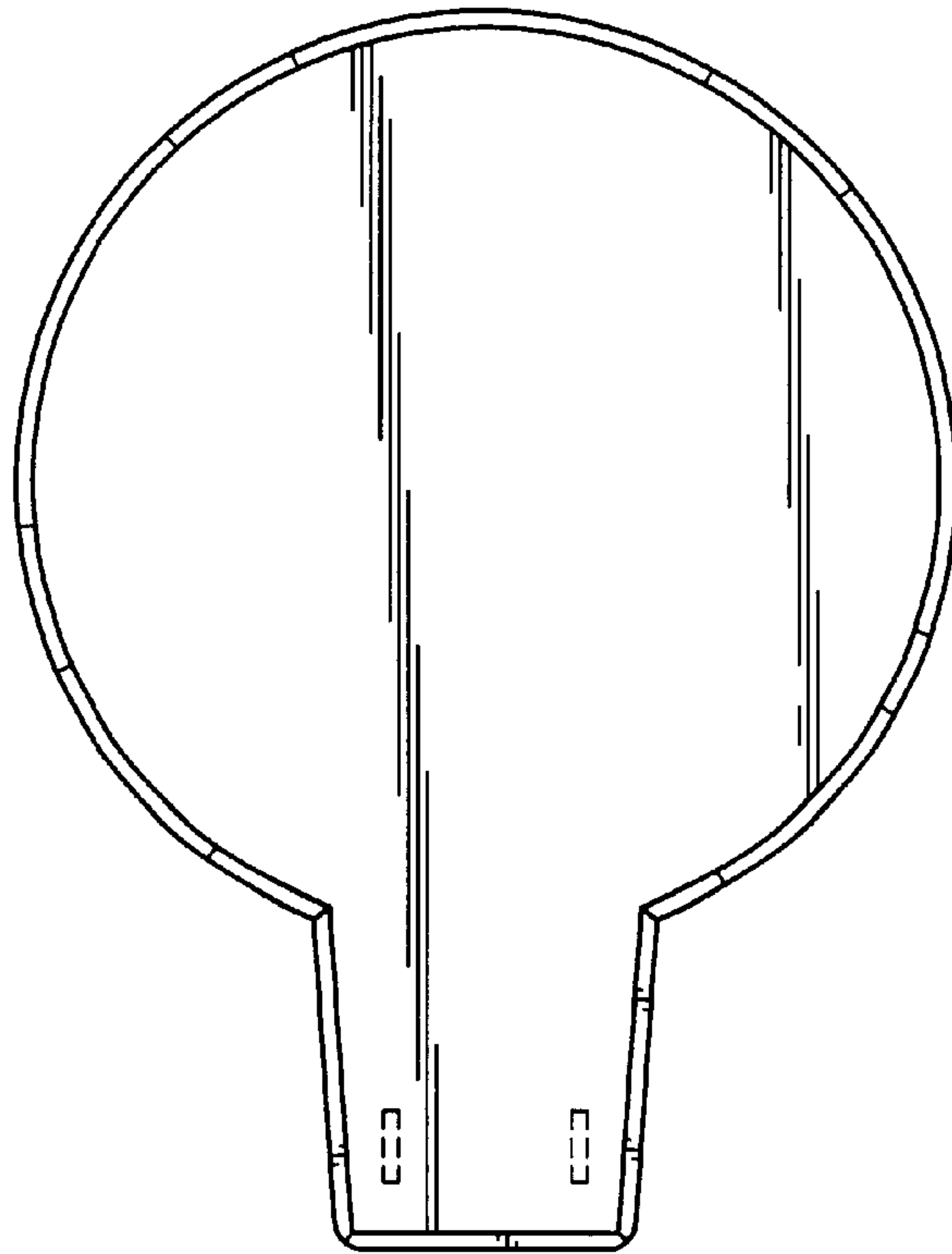
**FIG. 4**



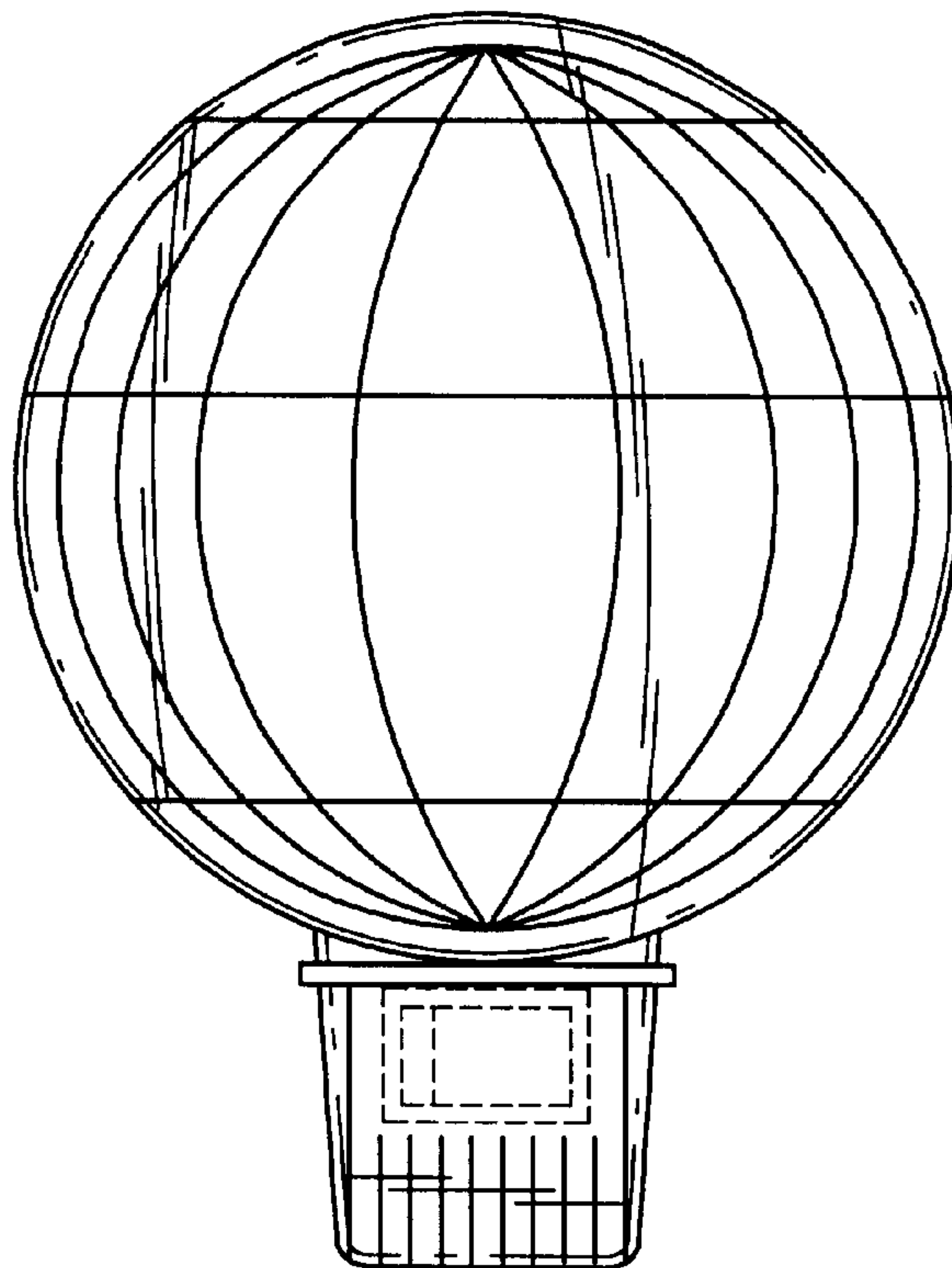
**FIG. 5**



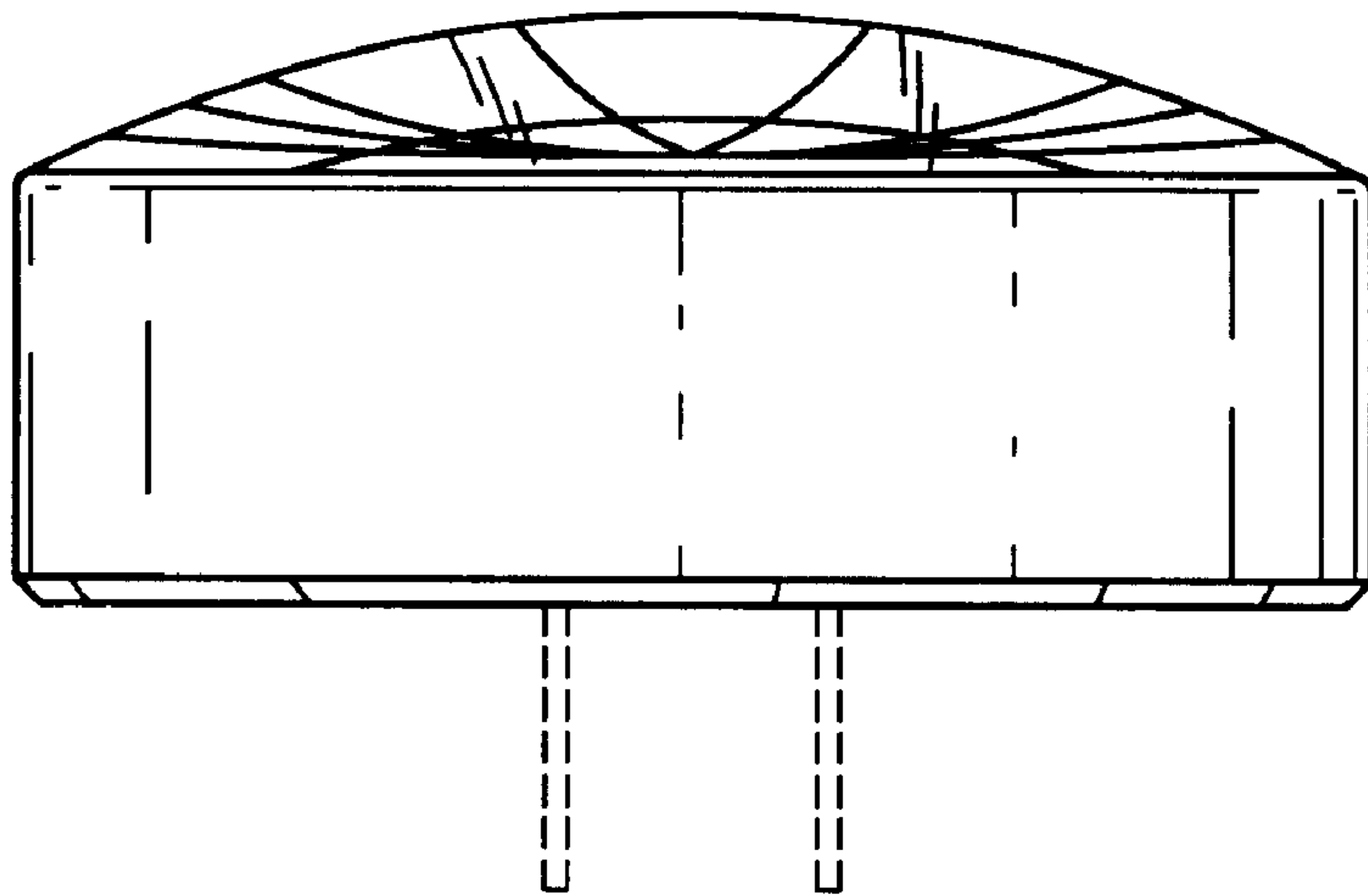
**FIG. 6**



**FIG. 7**



**FIG. 8**



**FIG. 9**

