



US00D466235S

(12) **United States Design Patent**
Orner

(10) **Patent No.:** **US D466,235 S**

(45) **Date of Patent:** **** Nov. 26, 2002**

(54) **FIGURINE CANDLEHOLDER**

D441,106 S * 4/2001 Kowalsky D26/9

(76) Inventor: **Guy Orner**, 2400 Duxbury Pl., Los Angeles, CA (US) 90034

* cited by examiner

(**) Term: **14 Years**

Primary Examiner—Robin V. Taylor

(74) *Attorney, Agent, or Firm*—Cislo & Thomas LLP

(21) Appl. No.: **29/159,666**

(57) **CLAIM**

(22) Filed: **Apr. 24, 2002**

The ornamental design for a figurine candleholder, as shown and described.

(51) **LOC (7) Cl.** **26-01**

DESCRIPTION

(52) **U.S. Cl.** **D26/13; D26/18**

(58) **Field of Search** D26/9, 11, 13; 431/295

FIG. 1. Is a front perspective view of my figurine candleholder;

FIG. 2. Is a front view thereof;

FIG. 3. Is a rear view thereof;

FIG. 4. Is a right side elevational view thereof with the left side elevational view being a mirror image thereof;

FIG. 5. Is a top view thereof; and,

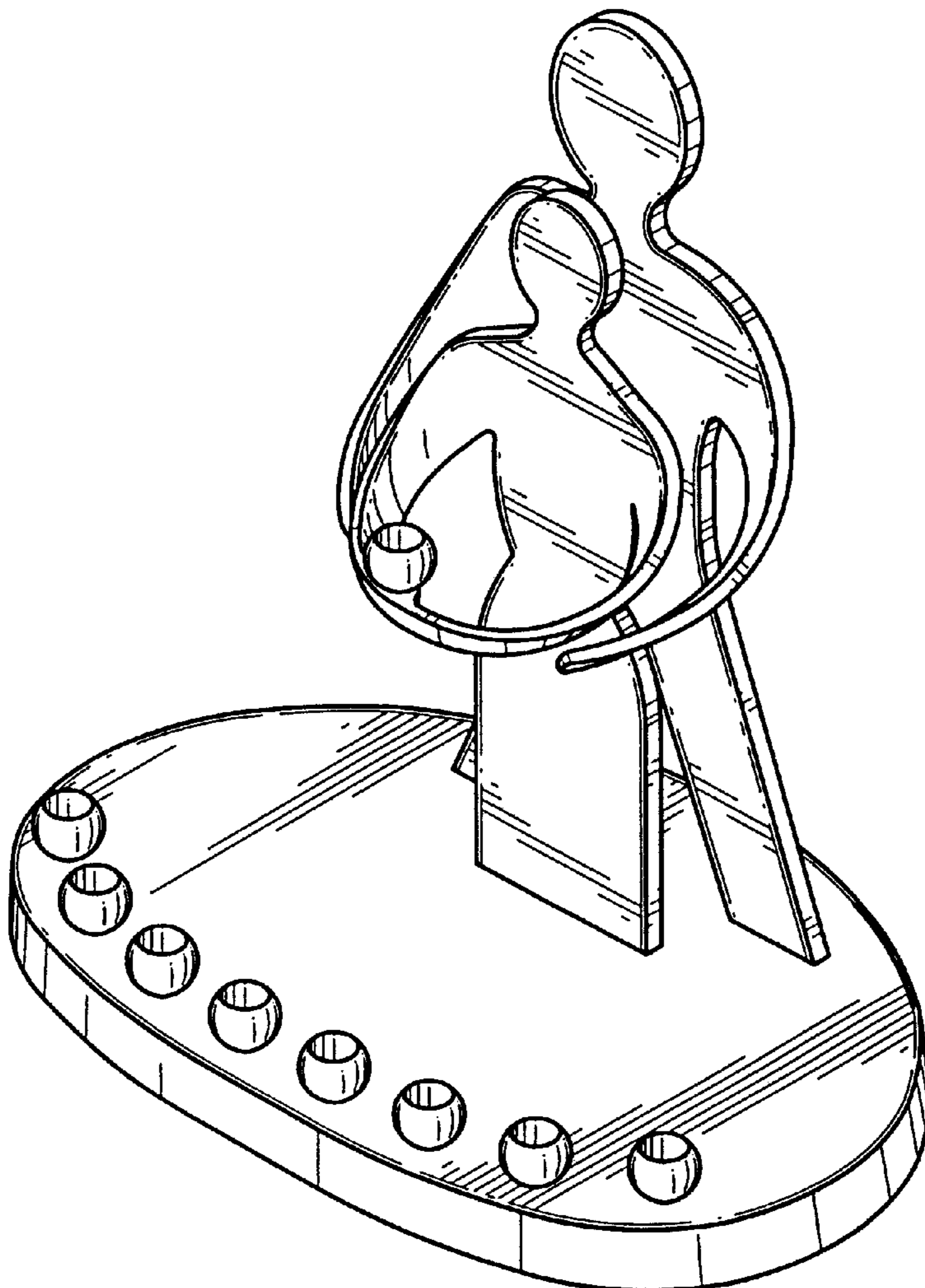
FIG. 6. Is a bottom view thereof.

(56) **References Cited**

U.S. PATENT DOCUMENTS

D174,953 S	*	6/1955	Gustafson	D26/13
D192,259 S	*	2/1962	Le Baron	D26/13
3,368,693 A	*	2/1968	Bochory	D26/13
D243,033 S	*	1/1977	Benes	D26/13

1 Claim, 3 Drawing Sheets



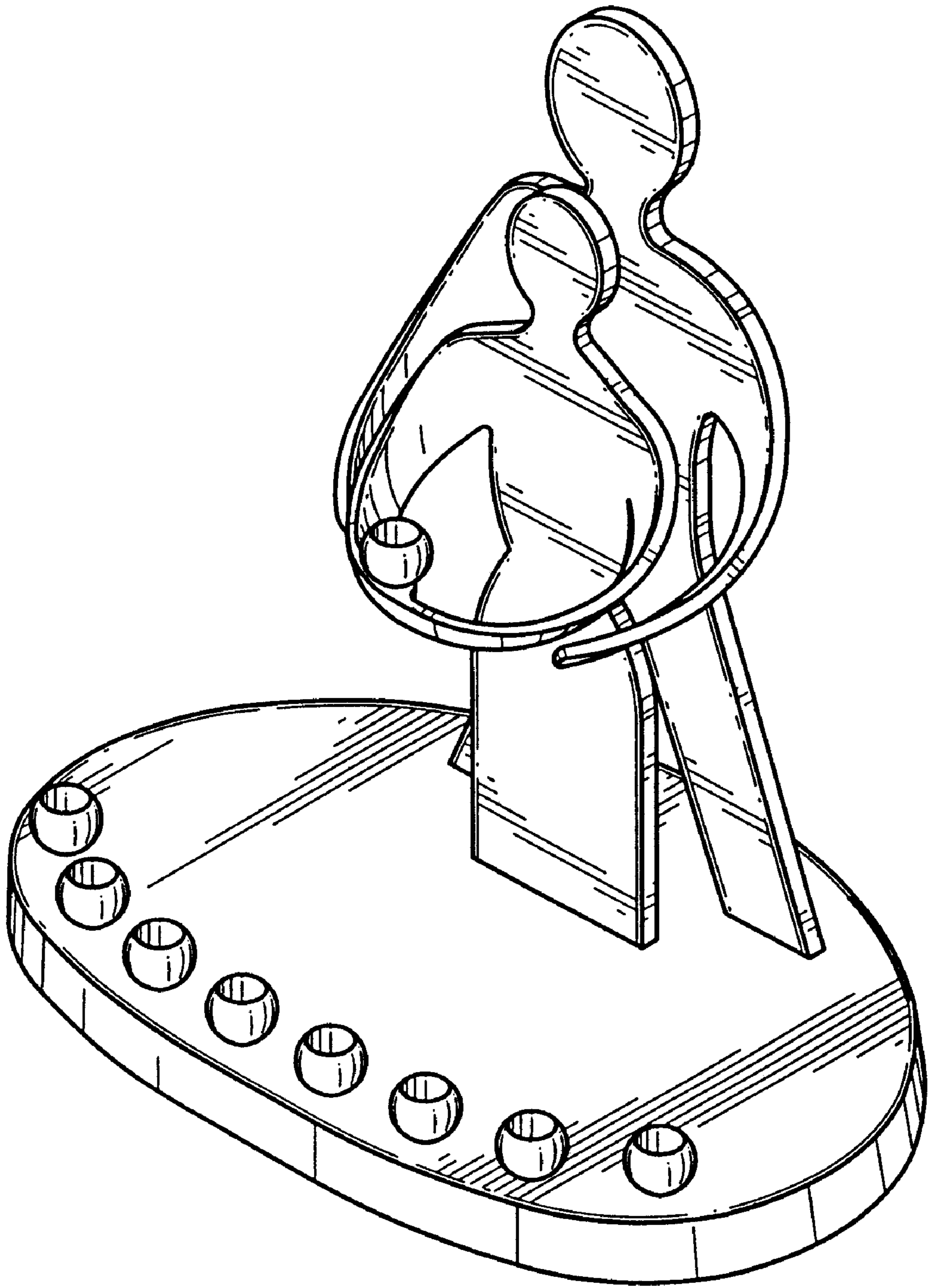


FIG. 1

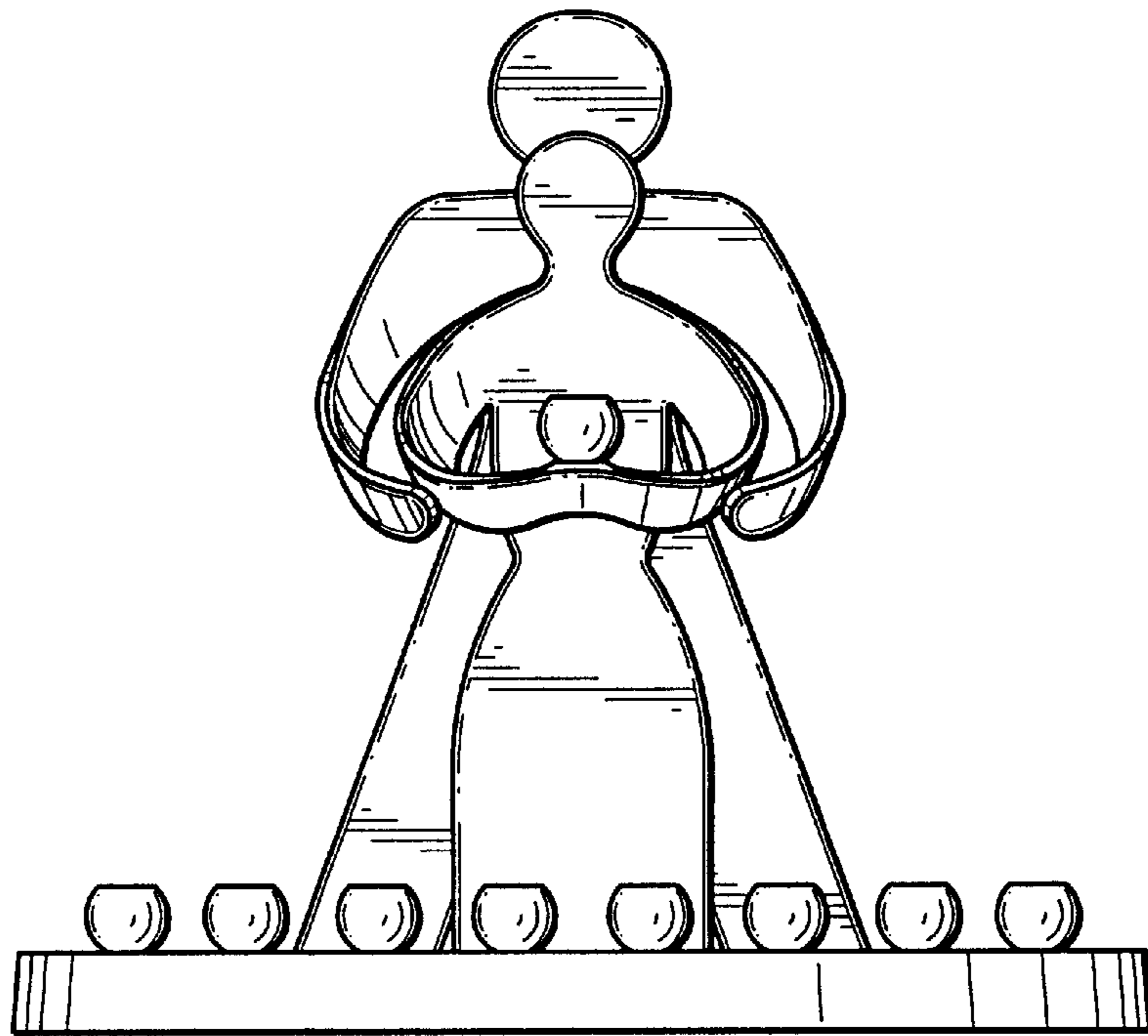


FIG. 2

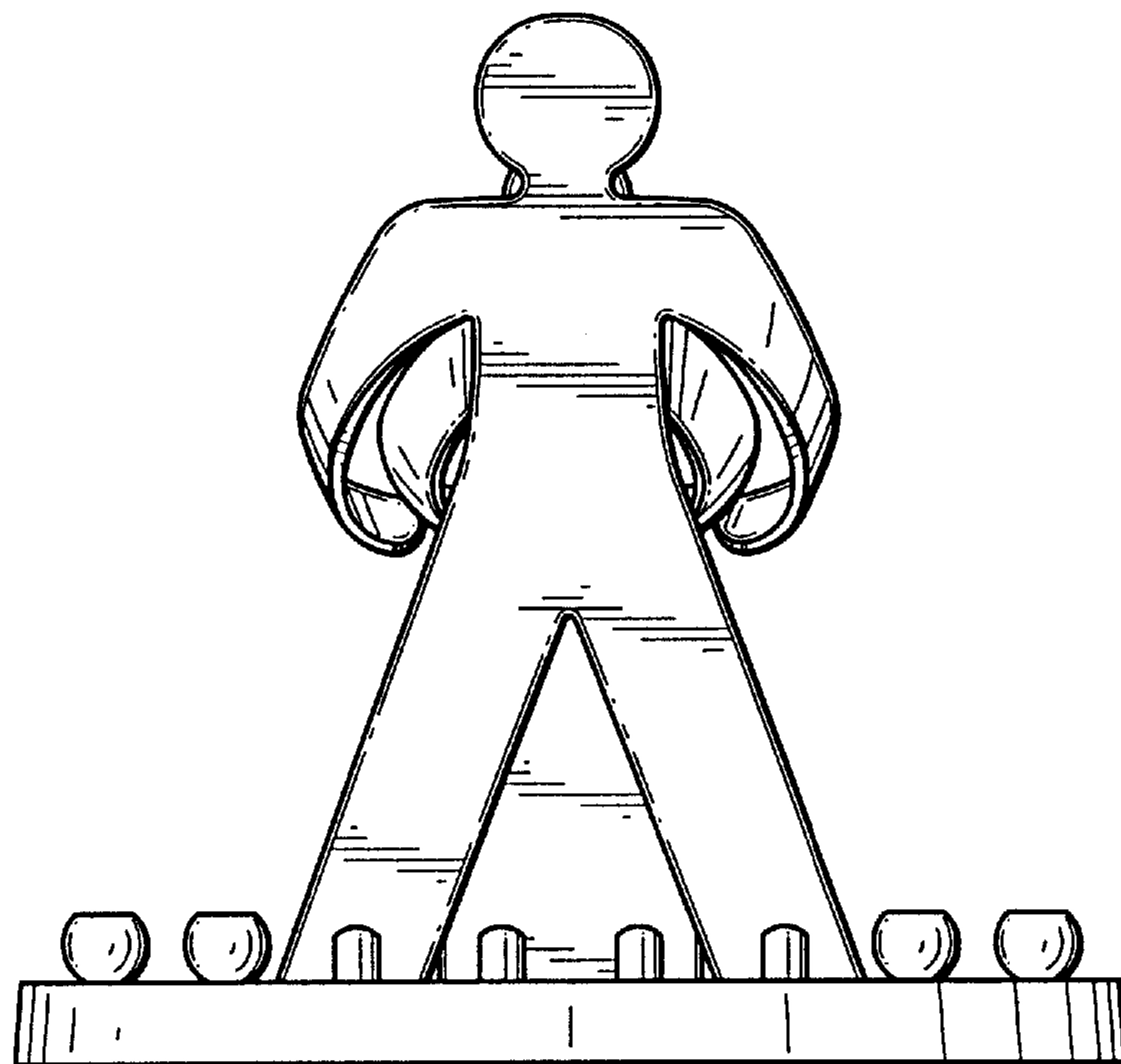


FIG. 3

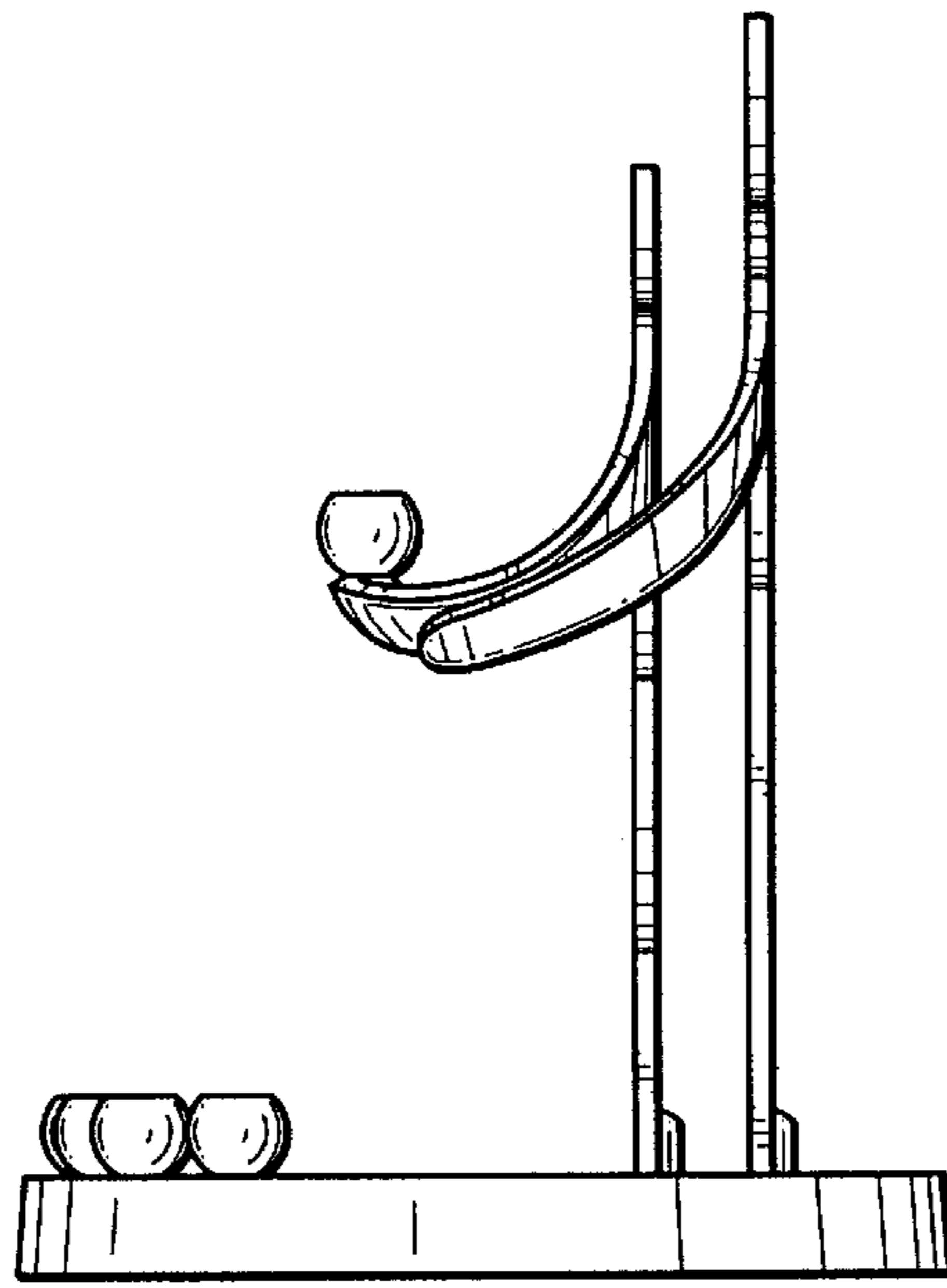


FIG. 4

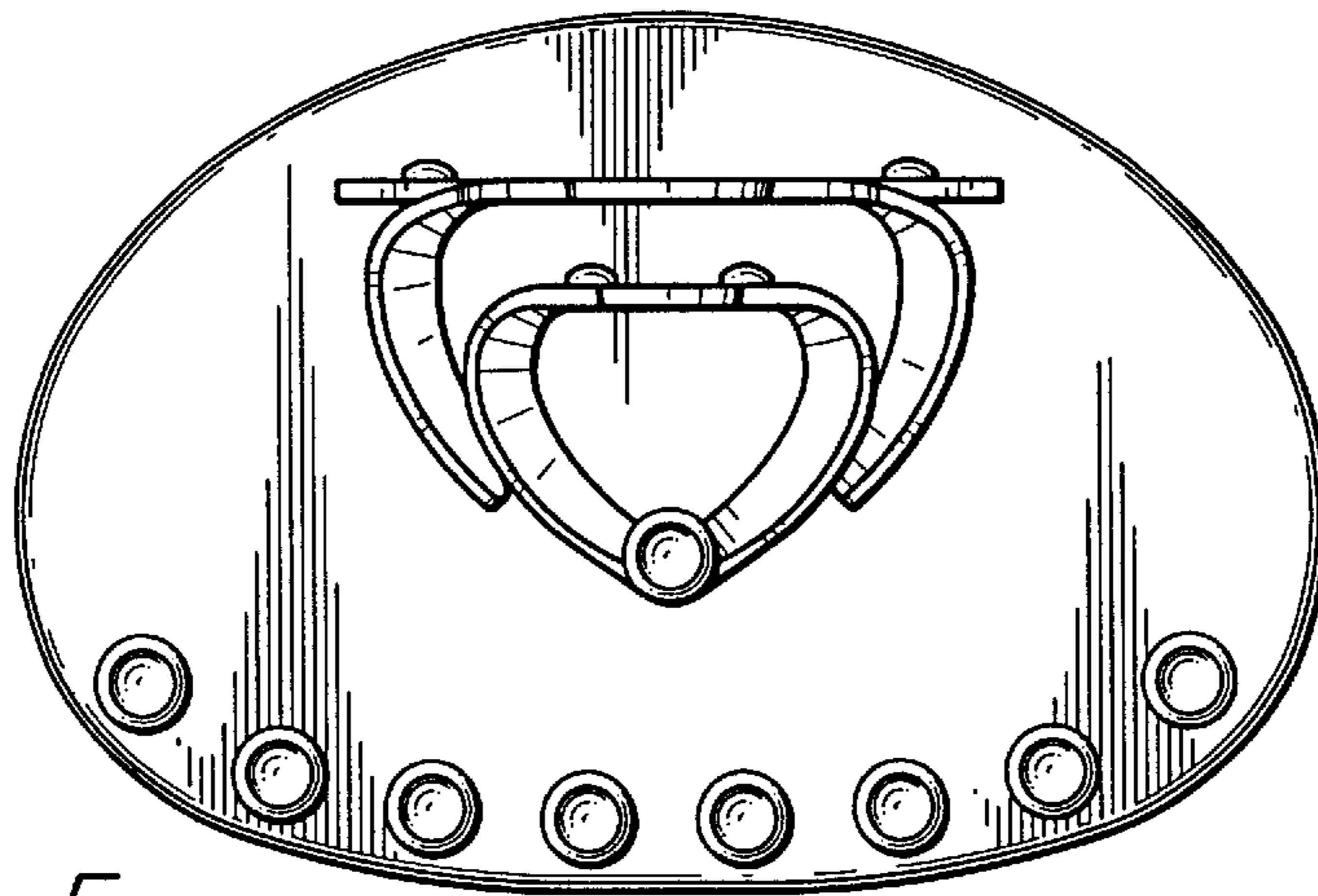


FIG. 5

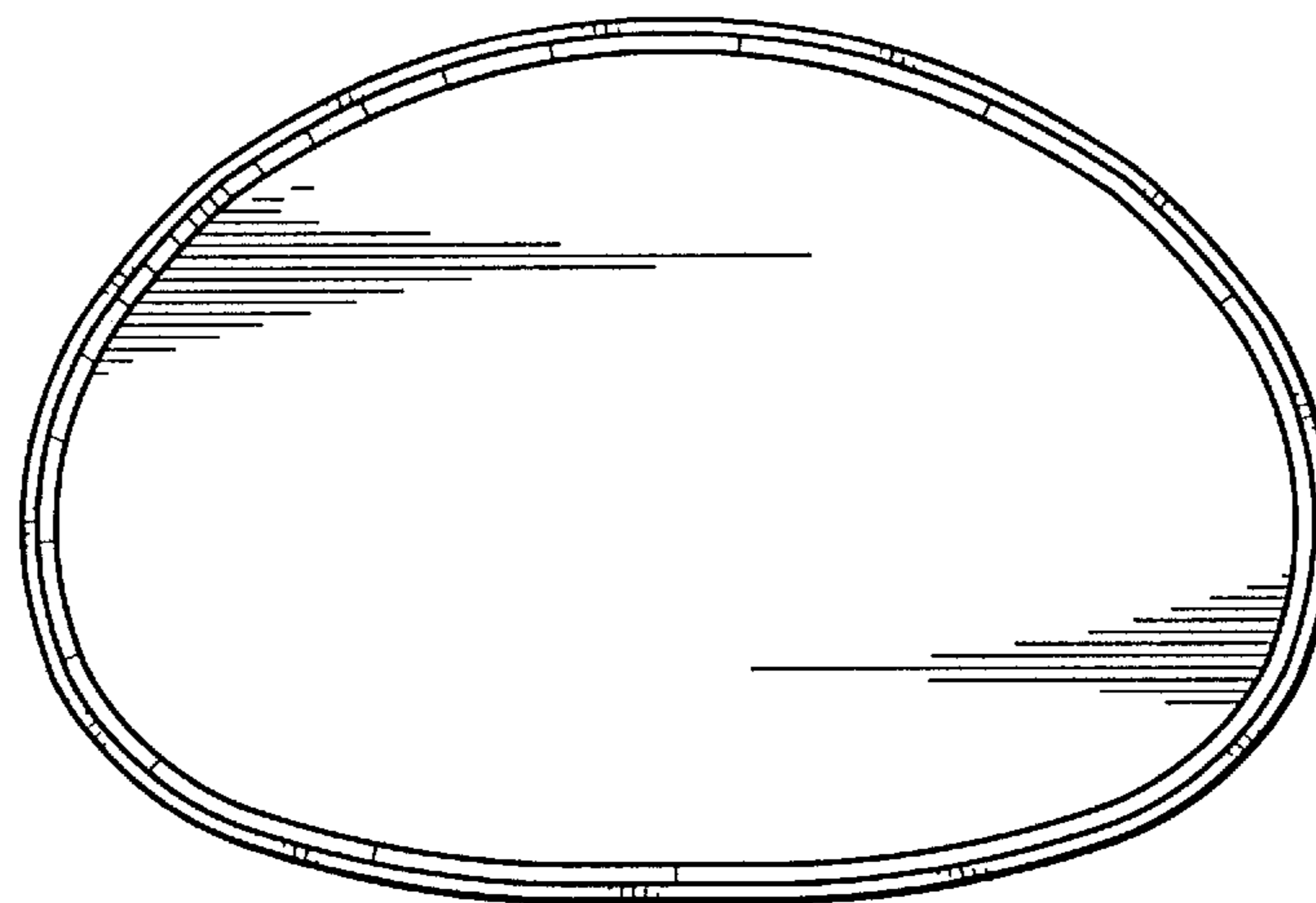


FIG. 6