



US00D466233S

(12) **United States Design Patent**  
**Krieger**

(10) **Patent No.:** **US D466,233 S**

(45) **Date of Patent:** **\*\* Nov. 26, 2002**

(54) **SUPPORT TRIM RAIL FOR PANEL WALL SYSTEM**

(75) **Inventor:** **Kevin Krieger**, New Philadelphia, OH (US)

(73) **Assignee:** **Commercial and Architectural Products, Inc.**, Dover, OH (US)

(\*\*) **Term:** **14 Years**

(21) **Appl. No.:** **29/156,395**

(22) **Filed:** **Feb. 28, 2002**

**Related U.S. Application Data**

(62) Division of application No. 29/141,861, filed on May 14, 2001, which is a continuation of application No. 09/723,103, filed on Nov. 27, 2000, which is a continuation of application No. 09/220,561, filed on Dec. 23, 1998, now Pat. No. 6,202,377.

(51) **LOC (7) Cl.** ..... **25-01**

(52) **U.S. Cl.** ..... **D25/136; D25/55; D25/121**

(58) **Field of Search** ..... 52/350, 481.1, 52/461; D25/119, 121, 136, 55, 60

(56) **References Cited**

**U.S. PATENT DOCUMENTS**

4,324,082 A \* 4/1982 Rutkowski et al. .... 52/481.1

4,866,899 A \* 9/1989 Houser ..... 52/481.1

D407,832 S \* 4/1999 Dobija ..... D25/136

D423,115 S \* 4/2000 Rothschild ..... D25/121

D423,690 S \* 4/2000 Grosfillex ..... D25/119

\* cited by examiner

*Primary Examiner*—Doris Clark

(74) *Attorney, Agent, or Firm*—Pearne & Gordon LLP

(57) **CLAIM**

The ornamental design for a support trim rail for panel wall system, as shown and described.

**DESCRIPTION**

FIG. 1 is a top, front and side perspective view of a support trim rail for panel wall system showing my new design, the center portion of the figure is broken away for purposes of maintaining the proper scale;

FIG. 2 is a front elevational view thereof;

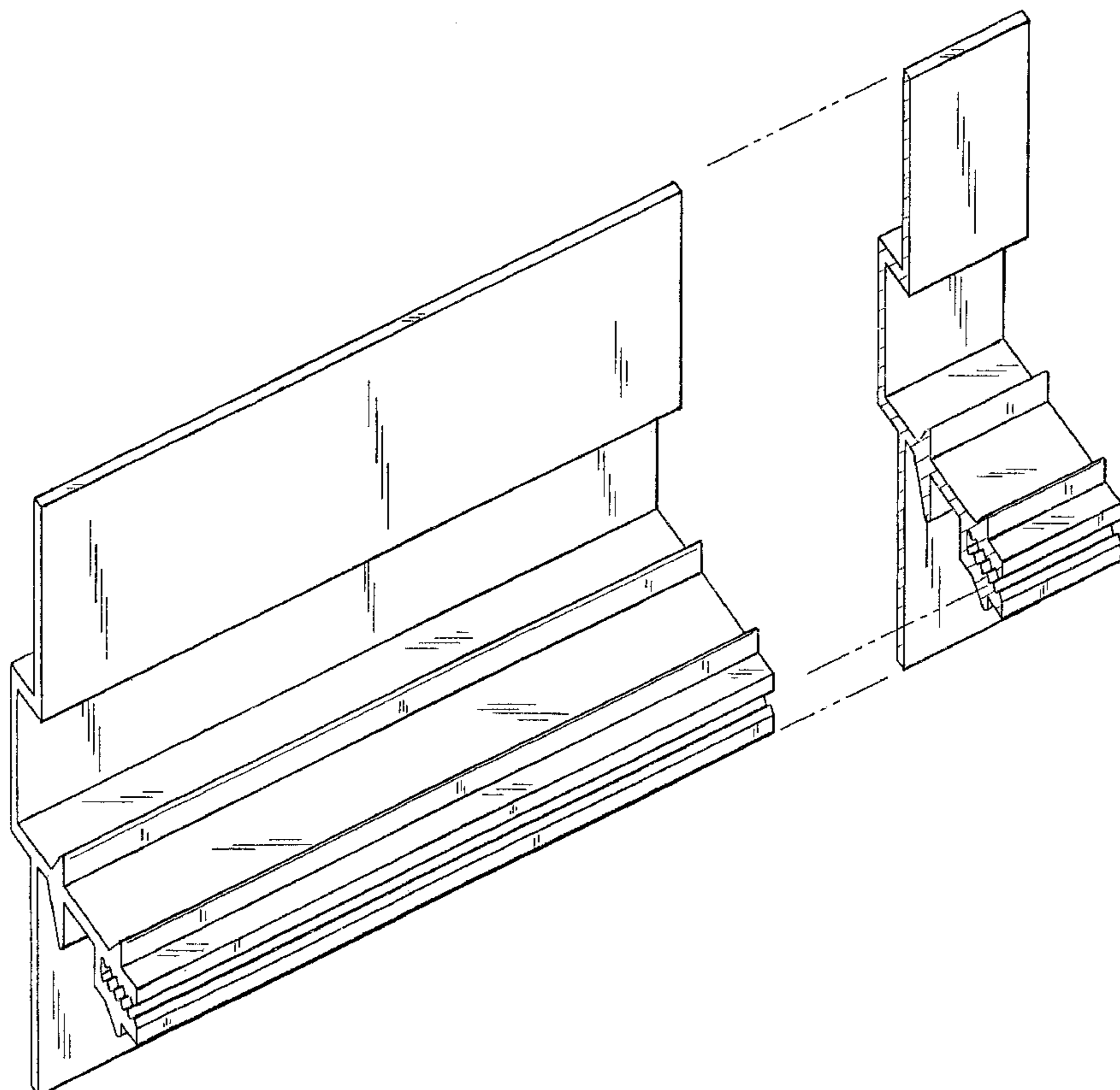
FIG. 3 is a right side elevational view thereof, the left side elevational view being a mirror image;

FIG. 4 is a top plan view thereof, the bottom plan view being identical; and

FIG. 5 is a rear elevational view thereof; and,

FIG. 6 is a bottom plan view thereof.

**1 Claim, 3 Drawing Sheets**



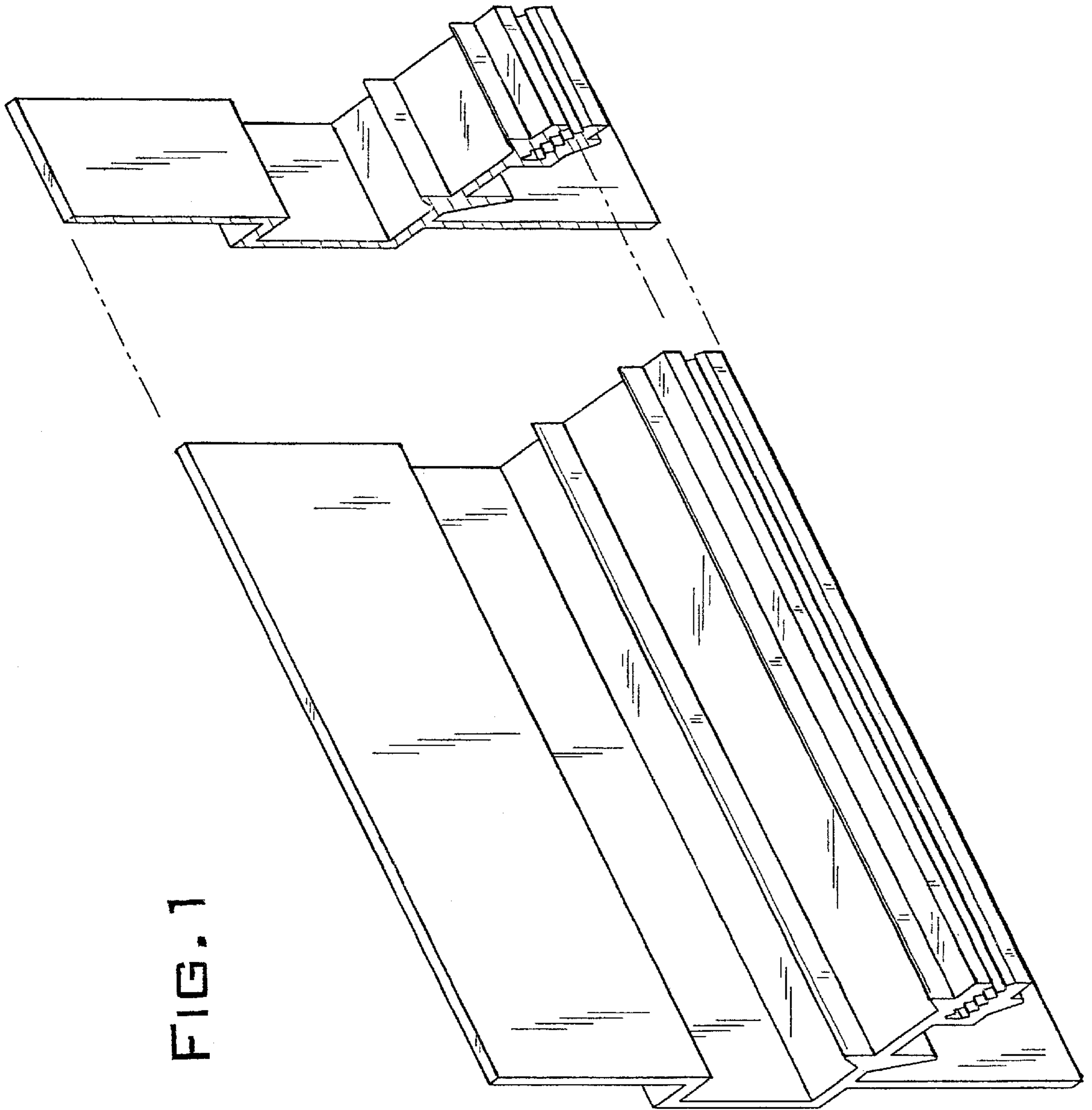


FIG. 1

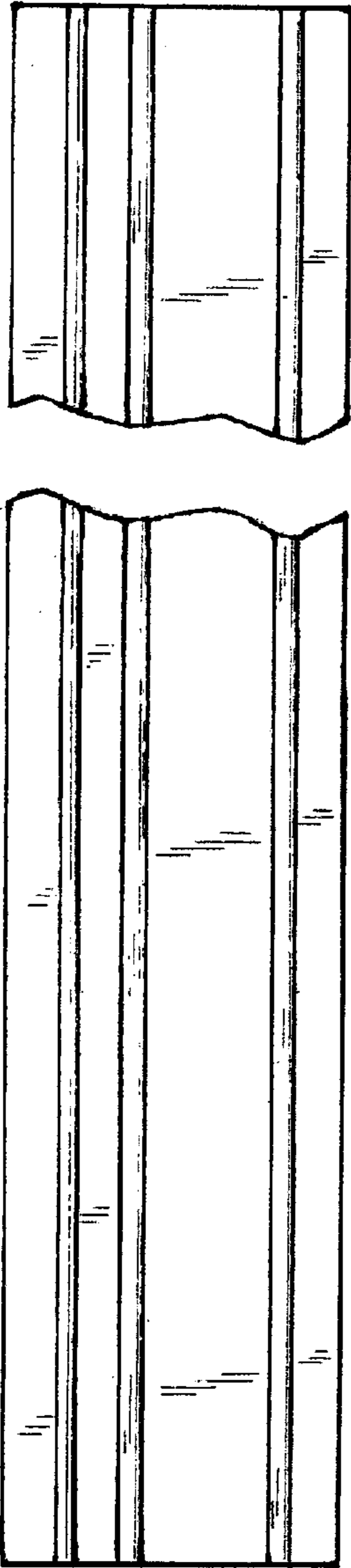


FIG. 4

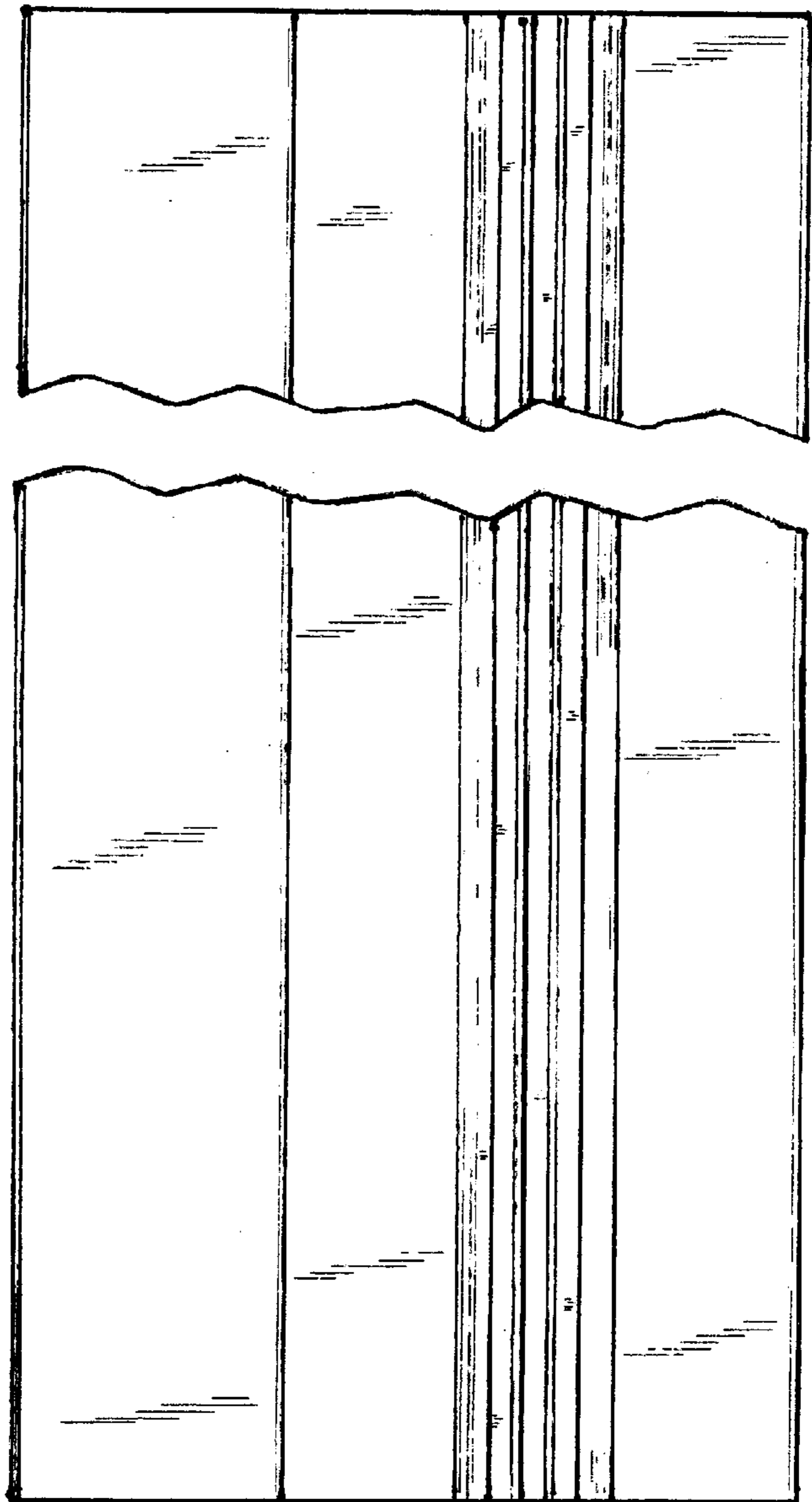


FIG. 2

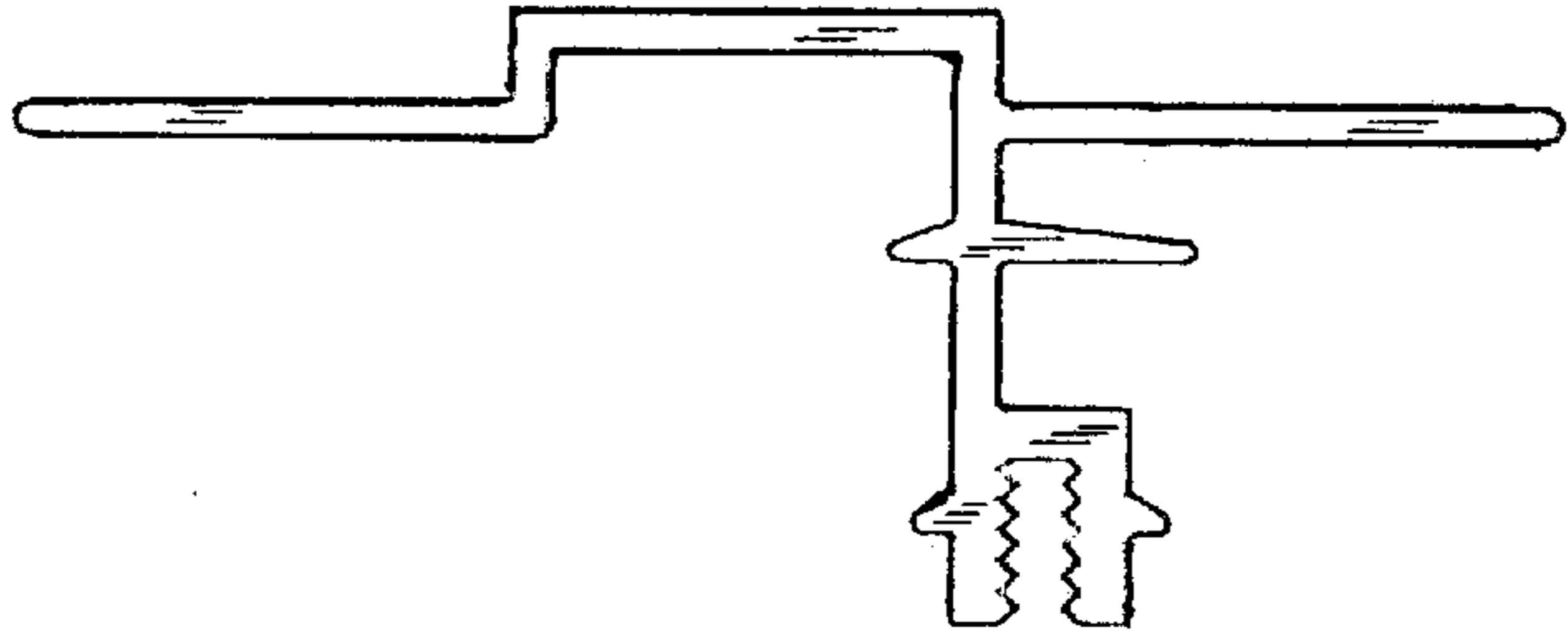


FIG. 3

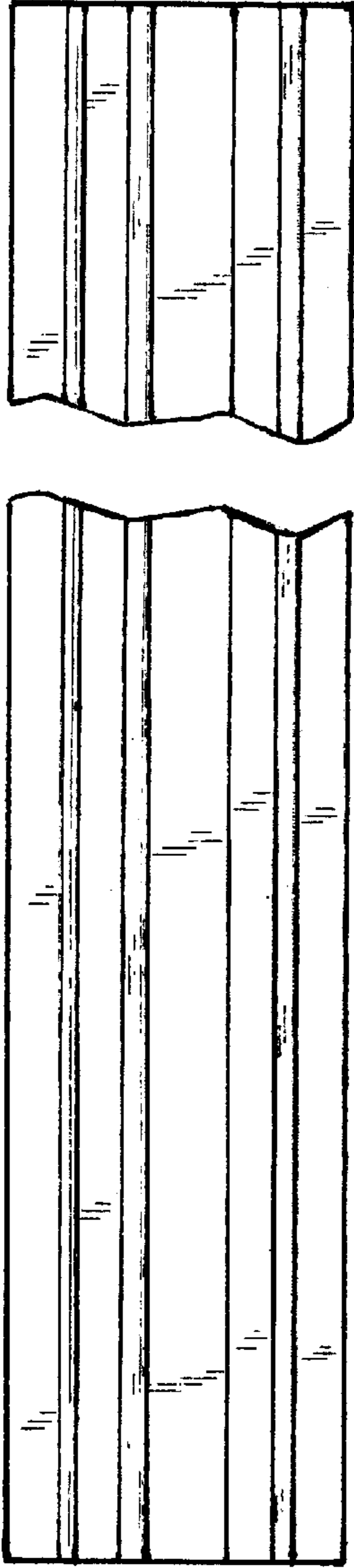


FIG. 5

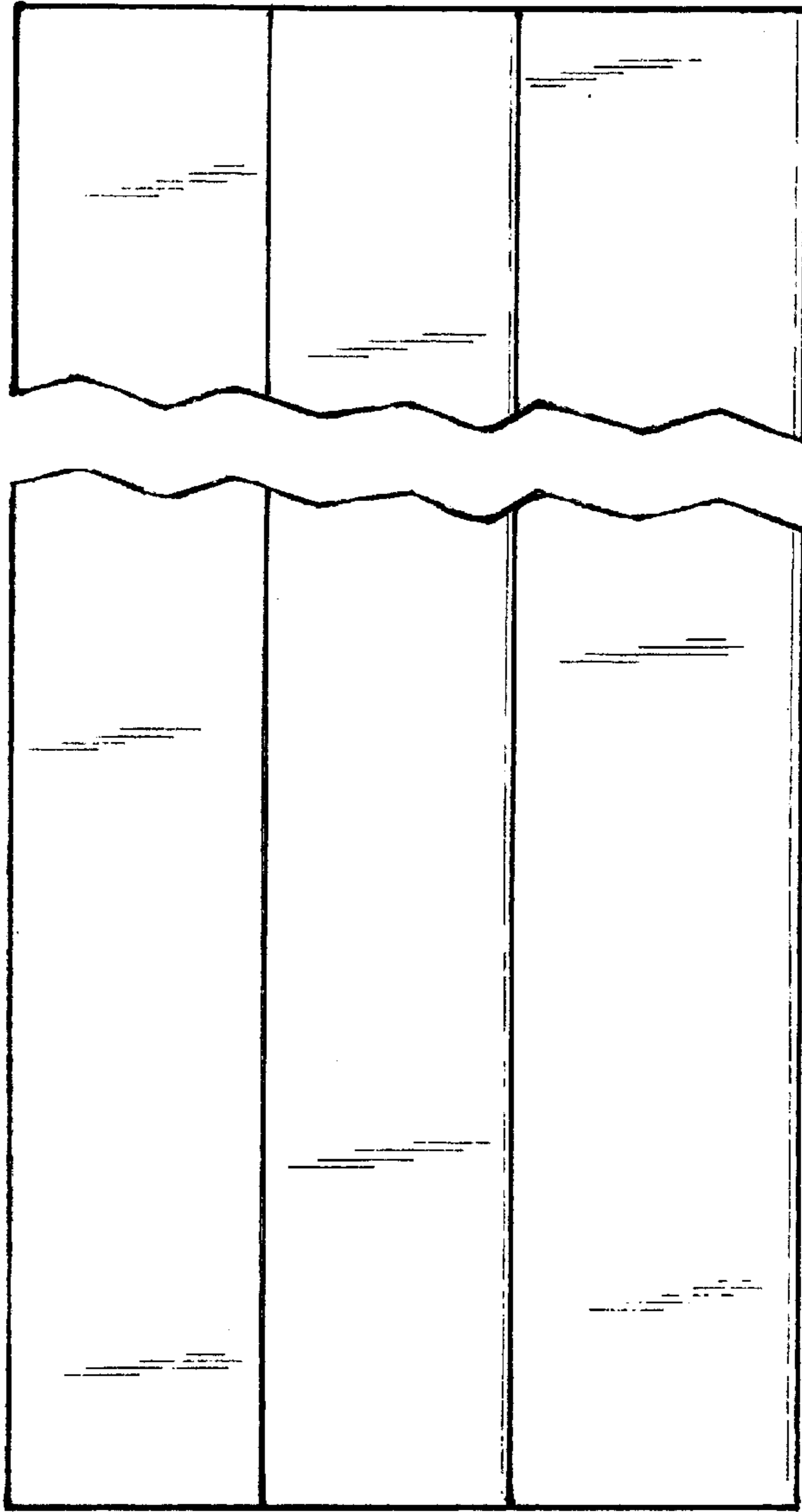


FIG. 6

UNITED STATES PATENT AND TRADEMARK OFFICE  
**CERTIFICATE OF CORRECTION**

PATENT NO. : Des. 466,233 S  
DATED : November 26, 2002  
INVENTOR(S) : Kevin Krieger

Page 1 of 1

It is certified that error appears in the above-identified patent and that said Letters Patent is hereby corrected as shown below:


Title page,

Item [57], DESCRIPTION, should be amended to read as follows:

-- FIG. 4 is a top plan view thereof:  
FIG. 5 is a bottom plan view thereof; and  
FIG. 6 is a rear elevational view thereof. --

Signed and Sealed this

Fifteenth Day of April, 2003

A handwritten signature in black ink, appearing to read "James E. Rogan", with a horizontal line underneath.

JAMES E. ROGAN  
*Director of the United States Patent and Trademark Office*