



US00D466231S

(12) **United States Design Patent**  
**Ballard et al.**

(10) **Patent No.:** **US D466,231 S**

(45) **Date of Patent:** **\*\* Nov. 26, 2002**

(54) **WINDOW COMPONENT EXTRUSION**

(75) Inventors: **Christopher R. Ballard**, Beaver creek, OH (US); **Jonathan C. Hauberg**, Beaver creek, OH (US)

(73) Assignee: **Dayton Technologies, L.L.C**

(\* ) Notice: This patent is subject to a terminal disclaimer.

(\*\*) Term: **14 Years**

(21) Appl. No.: **29/147,201**

(22) Filed: **Aug. 24, 2001**

(51) **LOC (7) Cl.** ..... **25-01**

(52) **U.S. Cl.** ..... **D25/124**

(58) **Field of Search** ..... 52/204.5, 204.55, 52/204.56, 504.597, 204.6, 204.61, 204.63, 204.71, 656.7, 656.2, 656.5; 49/504, 505; D25/124, 125

(56) **References Cited**

U.S. PATENT DOCUMENTS

D436,411 S \* 1/2001 Morton et al. .... D25/124

\* cited by examiner

*Primary Examiner*—Doris Clark

(74) *Attorney, Agent, or Firm*—Jacox, Meckstroth & Jenkins

(57) **CLAIM**

The ornamental design of a window component extrusion, as shown and described.

**DESCRIPTION**

FIG. 1 is a perspective view of a window component extrusion, showing our new design, with a middle portion broken away to disclose indefinite length; and, FIG. 2 is an end view thereof, the opposite end view being a mirror image.

**1 Claim, 2 Drawing Sheets**

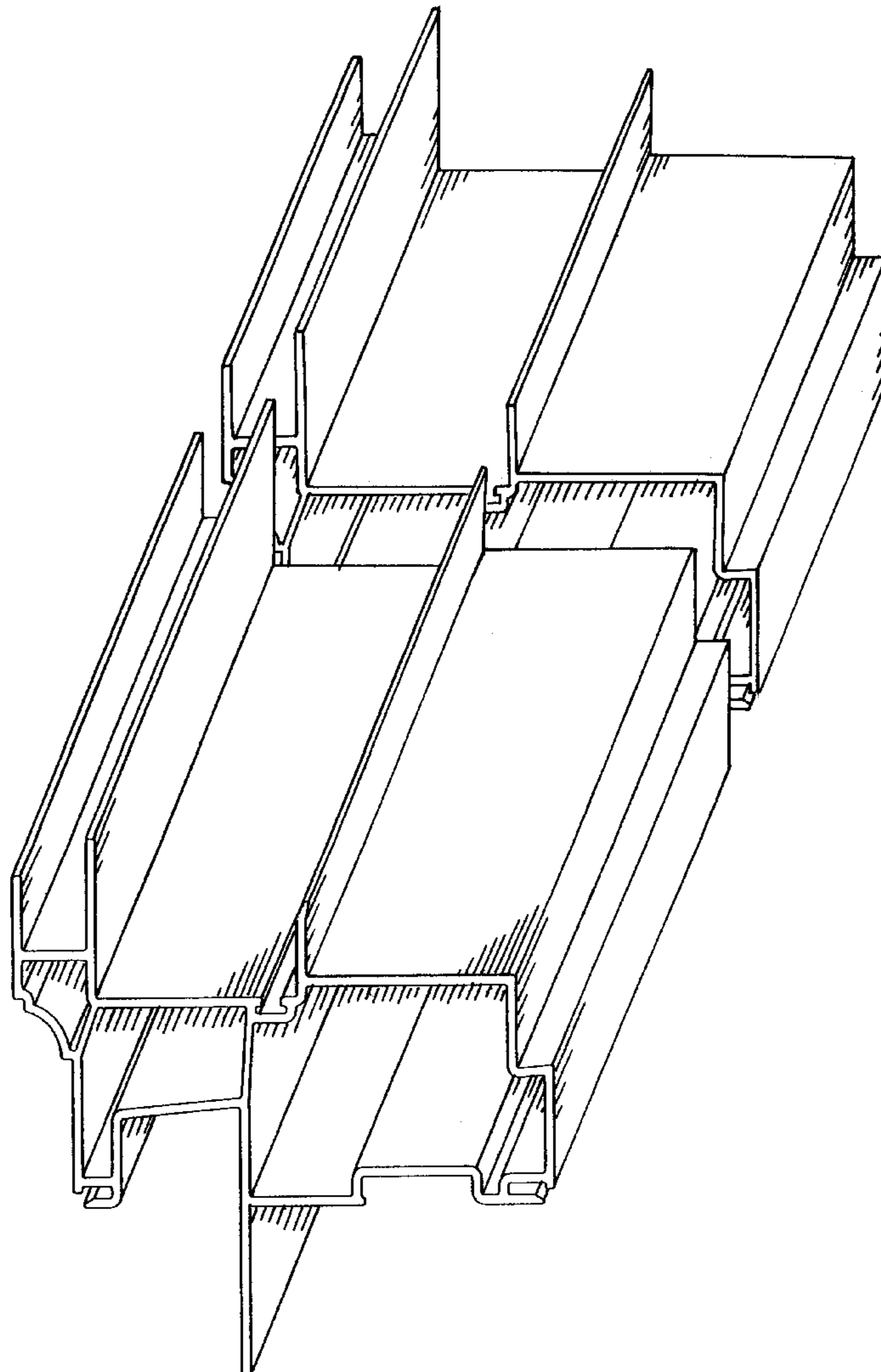


FIG-1

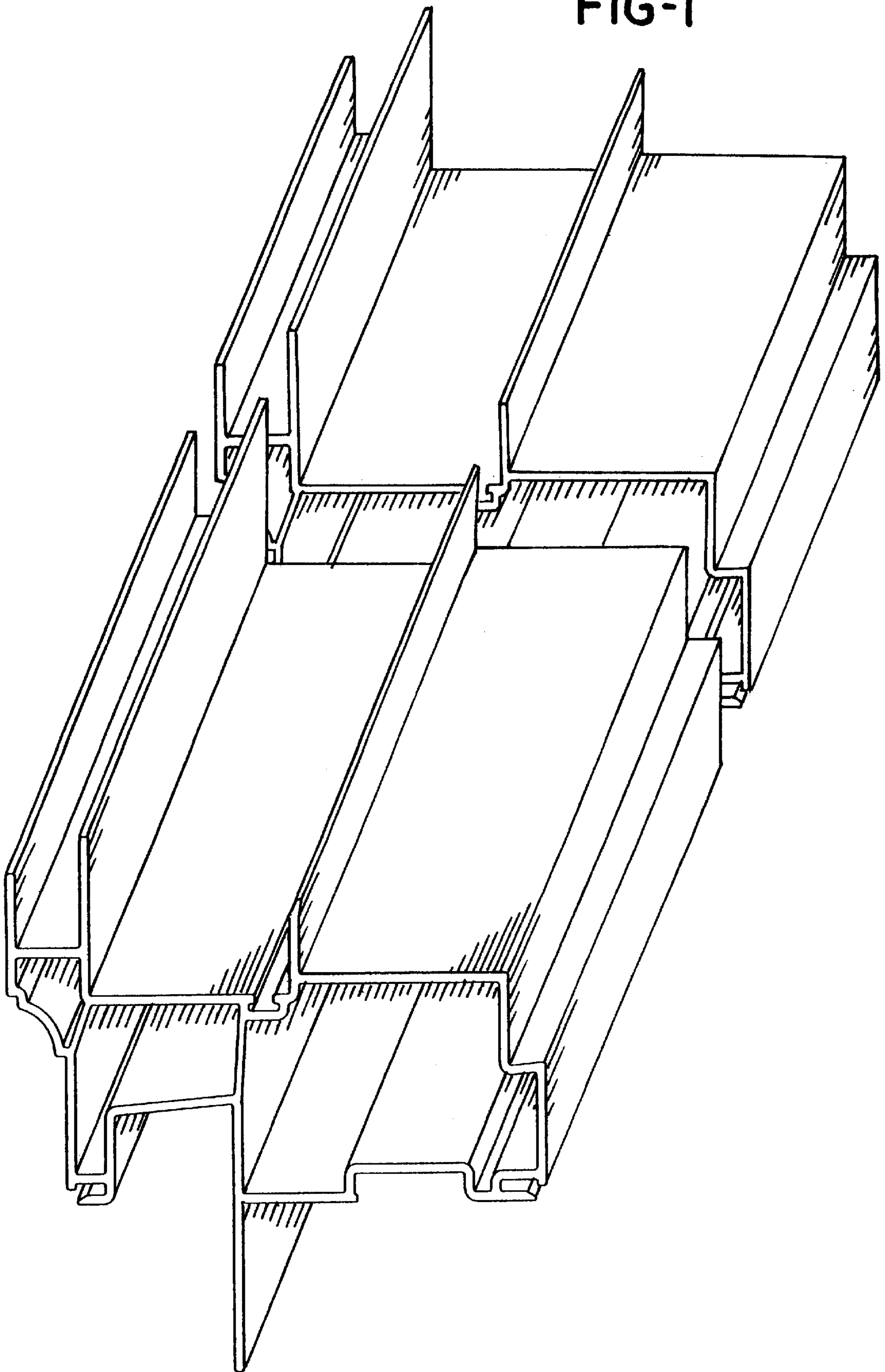


FIG-2

