



US00D466228S

(12) **United States Design Patent**  
**Hammer**

(10) **Patent No.:** **US D466,228 S**

(45) **Date of Patent:** **\*\* \*Nov. 26, 2002**

(54) **RETAINING WALL BLOCK**

**FOREIGN PATENT DOCUMENTS**

(75) Inventor: **Thomas S. Hammer**, Portland, OR  
(US)

CA 531354 10/1956  
CA 1188116 6/1985

(73) Assignee: **Westblock Systems, Inc.**, Salem, OR  
(US)

**OTHER PUBLICATIONS**

(\* ) Notice: This patent is subject to a terminal disclaimer.

Westblock Systems, Inc. flyer entitled *NurseryStone—Simply Beautiful—Simply Installed* (color flyer—two pages) published in approximately 1996–1997.

(\*\*) Term: **14 Years**

One page flyer, Diamond Wall System “Tech Spec” dated Sep., 1988, Anchor Block Company, St. Paul, Minnesota and Oscar Roberts Concrete Products, Brooklyn Park, Minnesota.

(21) Appl. No.: **29/150,702**

Westblock Systems, Inc. flyer entitled *Jumbo Nursery Stone—Hard Working Retaining Walls* (2 page flyer) published before Jul. 7, 1998.

(22) Filed: **Nov. 27, 2001**

**Related U.S. Application Data**

(List continued on next page.)

(63) Continuation-in-part of application No. 29/129,590, filed on Sep. 18, 2000, which is a continuation-in-part of application No. 29/110,393, filed on Aug. 31, 1999, now Pat. No. Des. 433,158, which is a continuation-in-part of application No. 29/107,520, filed on Jul. 7, 1999.

*Primary Examiner*—Louis S. Zarfaz

*Assistant Examiner*—Robert A. Delehanty

(74) *Attorney, Agent, or Firm*—Klarquist Sparkman, LLP

(51) **LOC (7) Cl.** ..... **25-01**

(57) **CLAIM**

(52) **U.S. Cl.** ..... **D25/113**

I claim the ornamental design for a retaining wall block, as shown and described.

(58) **Field of Search** ..... D25/113–118;  
D21/484, 499–502, 505; 52/578, 575, 596,  
600–601, 603, 605–609; 405/284–286

**DESCRIPTION**

(56) **References Cited**

FIG. 1 is a perspective view of a retaining wall block embodying my new design as viewed toward the front, top and one side of the block.

FIG. 2 is a rear elevational view the block of FIG. 1.

FIG. 3 is a top plan view of the block of FIG. 1.

FIG. 4 is a side elevational view of the block of FIG. 1, the opposite side being a mirror image thereof.

FIG. 5 is a front elevational view of the block of FIG. 1.

FIG. 6 is a sectional view of the block of FIG. 1 taken along the line 6—6 of FIG. 1; and,

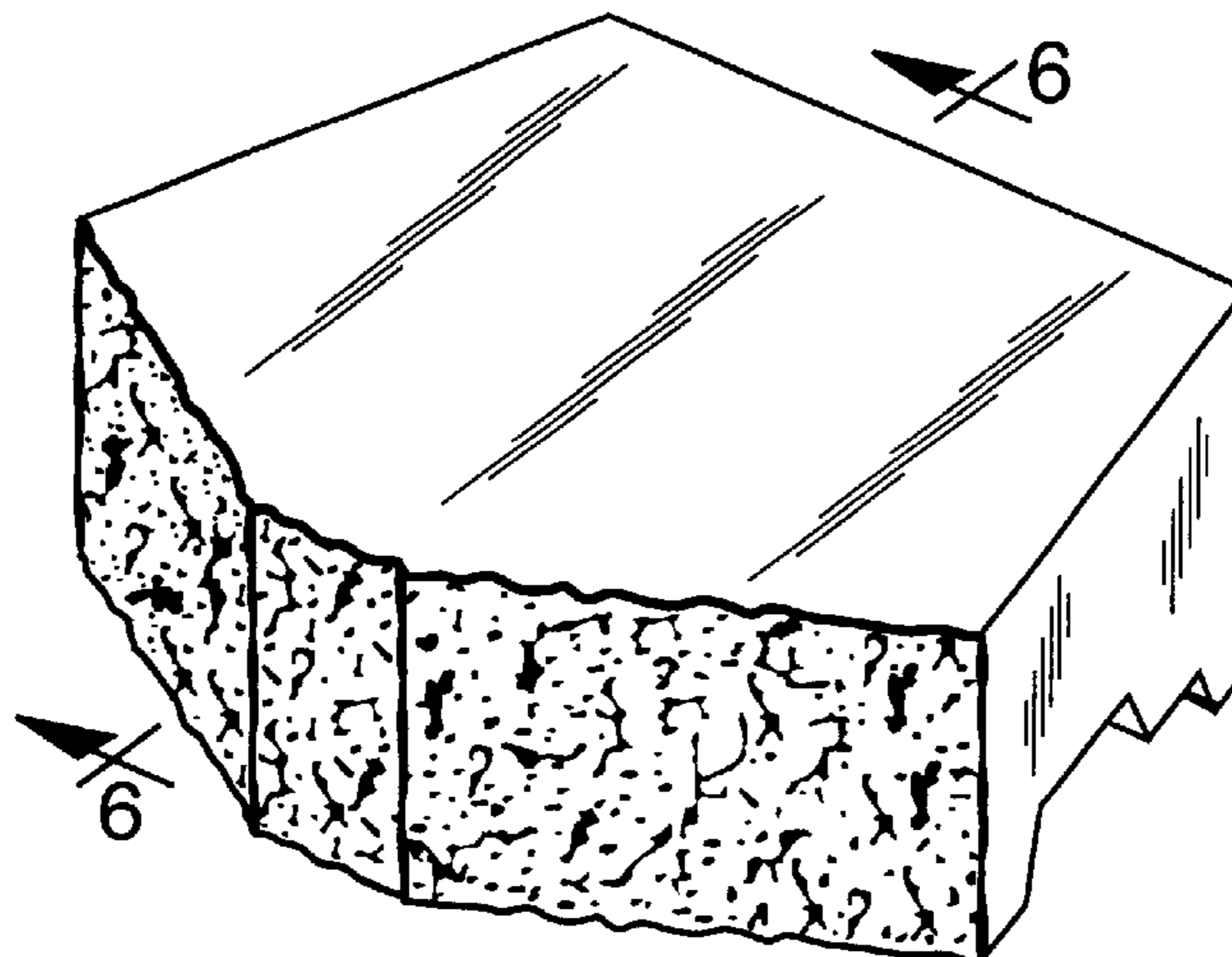
FIG. 7 is a bottom plan view of the block of FIG. 1.

**U.S. PATENT DOCUMENTS**

1,419,805	A	6/1922	Bigler	
3,269,125	A	* 8/1966	Moore	405/286
3,444,694	A	* 5/1969	Frefner	405/286
4,126,979	A	11/1978	Hancock	
4,175,888	A	11/1979	Ijima	
D280,024	S	8/1985	Risi et al.	
D296,007	S	5/1988	Forsberg	
D298,463	S	11/1988	Forsberg	
D299,069	S	12/1988	Risi et al.	

(List continued on next page.)

**1 Claim, 1 Drawing Sheet**



# US D466,228 S

Page 2

## U.S. PATENT DOCUMENTS

D300,253 S 3/1989 Forsberg  
D300,254 S 3/1989 Forsberg  
D301,064 S 5/1989 Forsberg  
4,909,010 A 3/1990 Gravier  
D311,444 S 10/1990 Forsberg  
4,964,761 A 10/1990 Rossi  
D317,048 S 5/1991 Forsberg  
D317,209 S 5/1991 Forsberg  
5,031,376 A 7/1991 Bender et al.  
5,044,834 A 9/1991 Janopaul, Jr.  
5,062,610 A 11/1991 Woolford  
5,257,880 A \* 11/1993 Janopaul, Jr. .... 405/284  
D343,461 S \* 1/1994 Powell ..... D25/114  
5,294,216 A 3/1994 Sievert  
5,350,256 A 9/1994 Hammer  
5,456,555 A \* 10/1995 Bokeler ..... 405/286  
5,505,034 A 4/1996 Dueck  
5,551,809 A \* 9/1996 Forsberg ..... 405/285  
D380,560 S 7/1997 Forsberg  
5,688,078 A 11/1997 Hammer

D397,230 S \* 8/1998 Forsberg ..... D25/114  
5,788,423 A \* 8/1998 Perkins ..... 405/284  
5,827,015 A 10/1998 Woolford et al.  
5,865,006 A 2/1999 Dawson  
5,941,042 A \* 8/1999 Dueck ..... 52/603 X  
5,951,210 A \* 9/1999 Maguire et al. .... 405/286  
D433,158 S \* 10/2000 Hammer ..... D25/113  
D435,917 S 2/2001 Hammer

## OTHER PUBLICATIONS

Photos (Exhibit A) entitled *Segmental Retaining Wall Units (NurseryStone and Jumbo Nursery Stone)*, marketed by Westblock Pacific LLC before Jul., 1998.

PISA II® flyer entitled *Interlocking Retaining Wall System for Gardening Landscaping*.

Dura-Hold® flyer entitled *Interlocking Retaining Wall System for Heavy Duty Protection*.

Dura-Crib® flyer entitled *Interlocking Retaining Wall System*.

\* cited by examiner

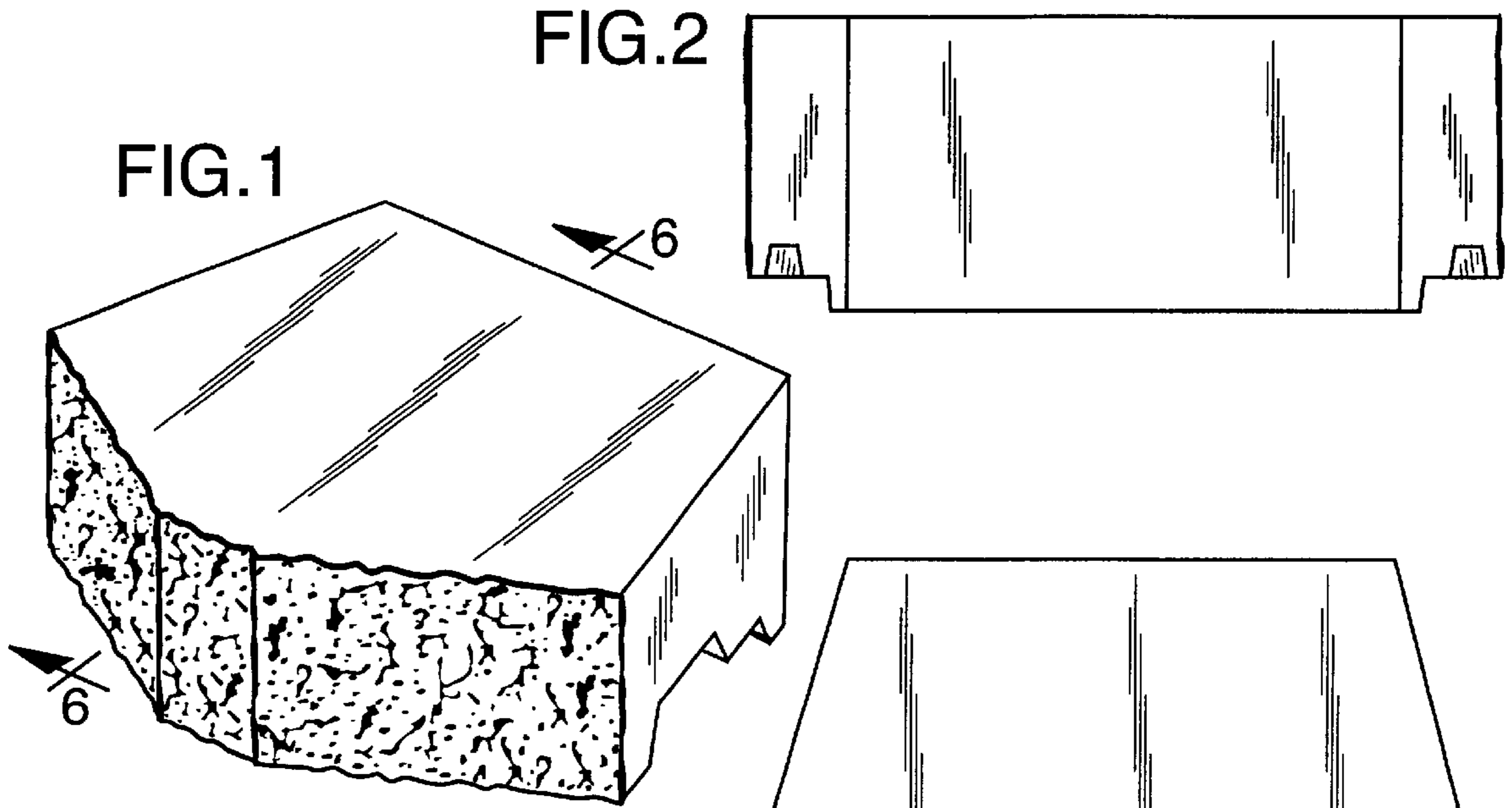


FIG. 3

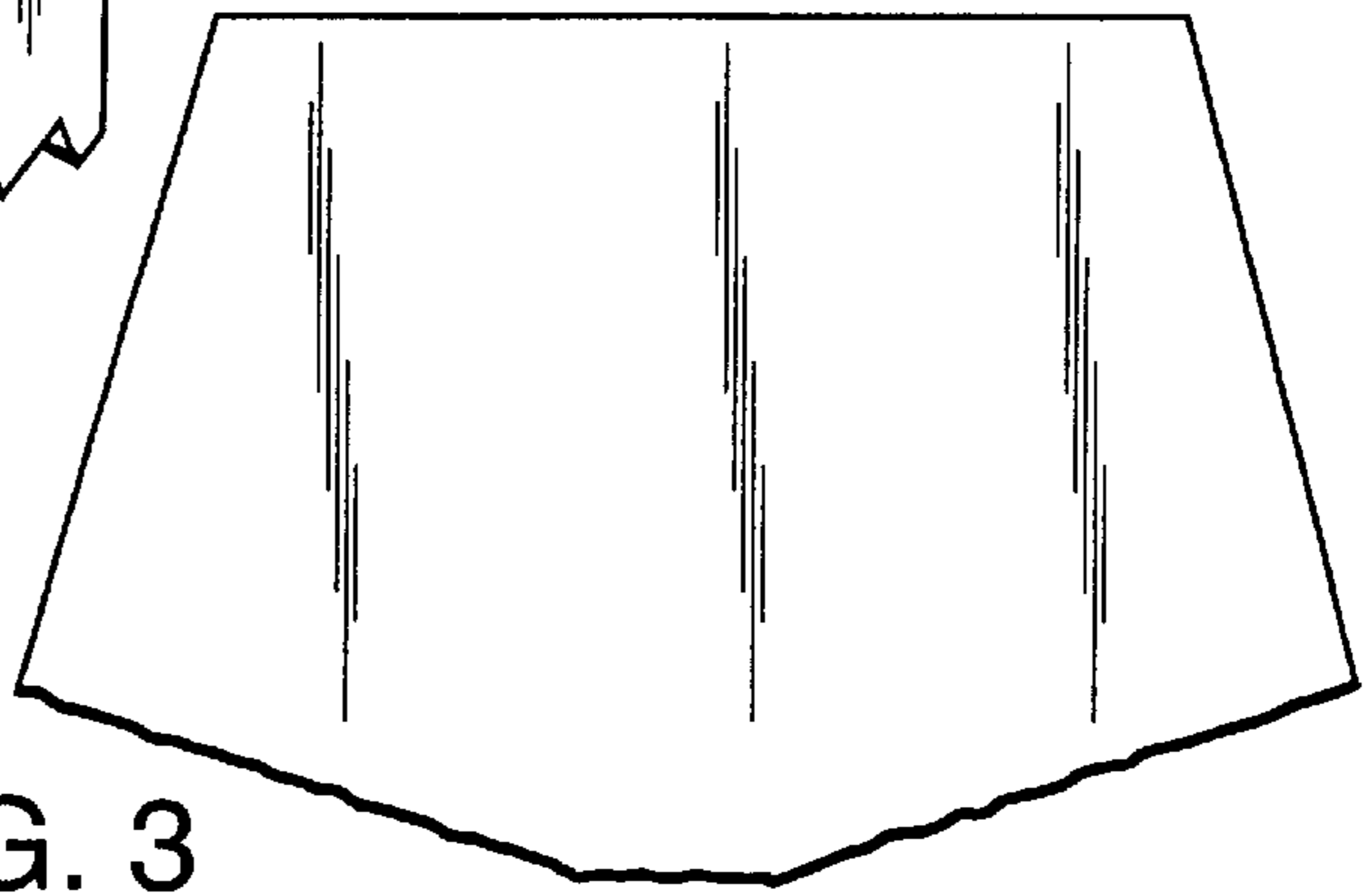


FIG. 4

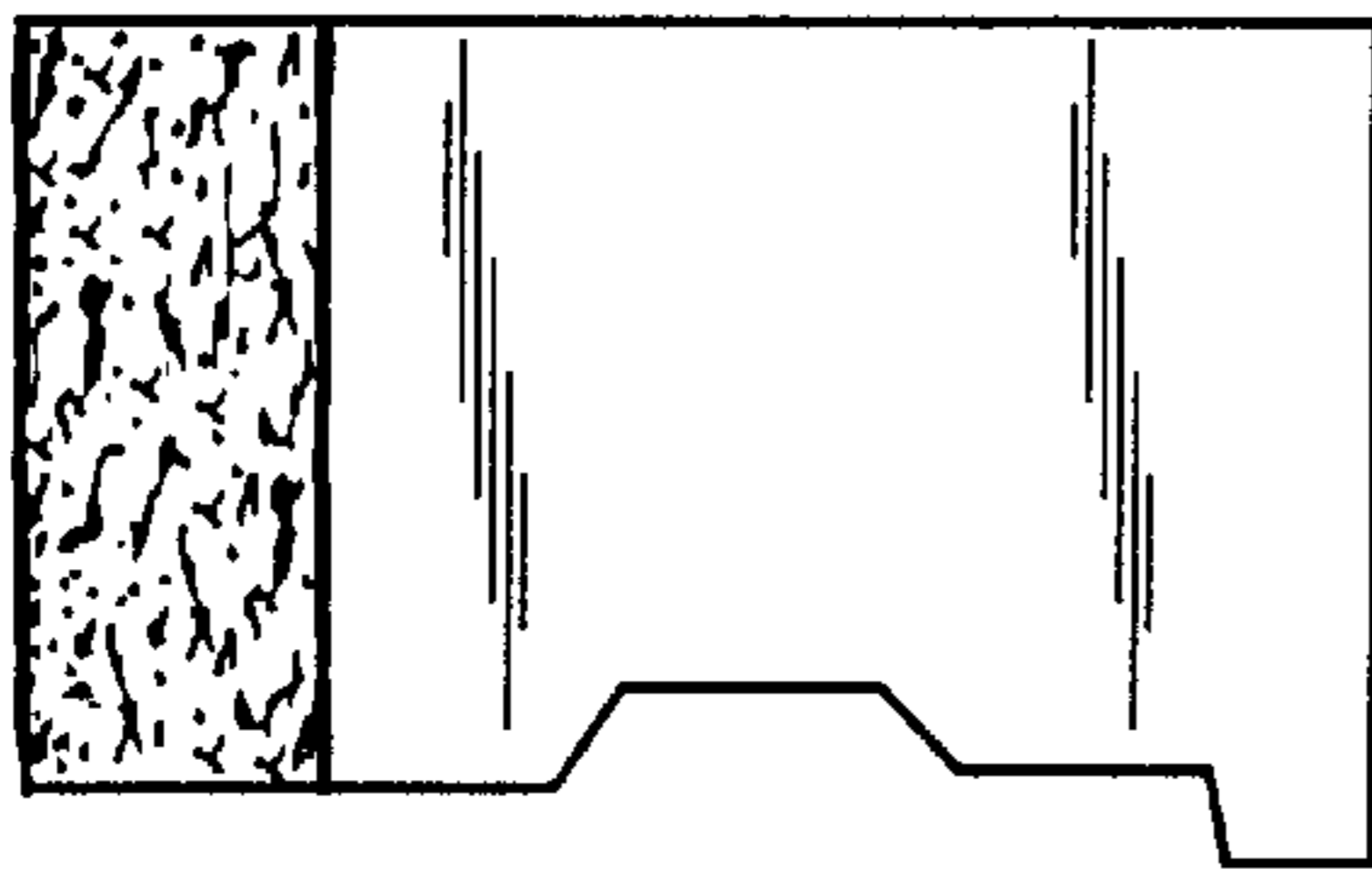


FIG. 5

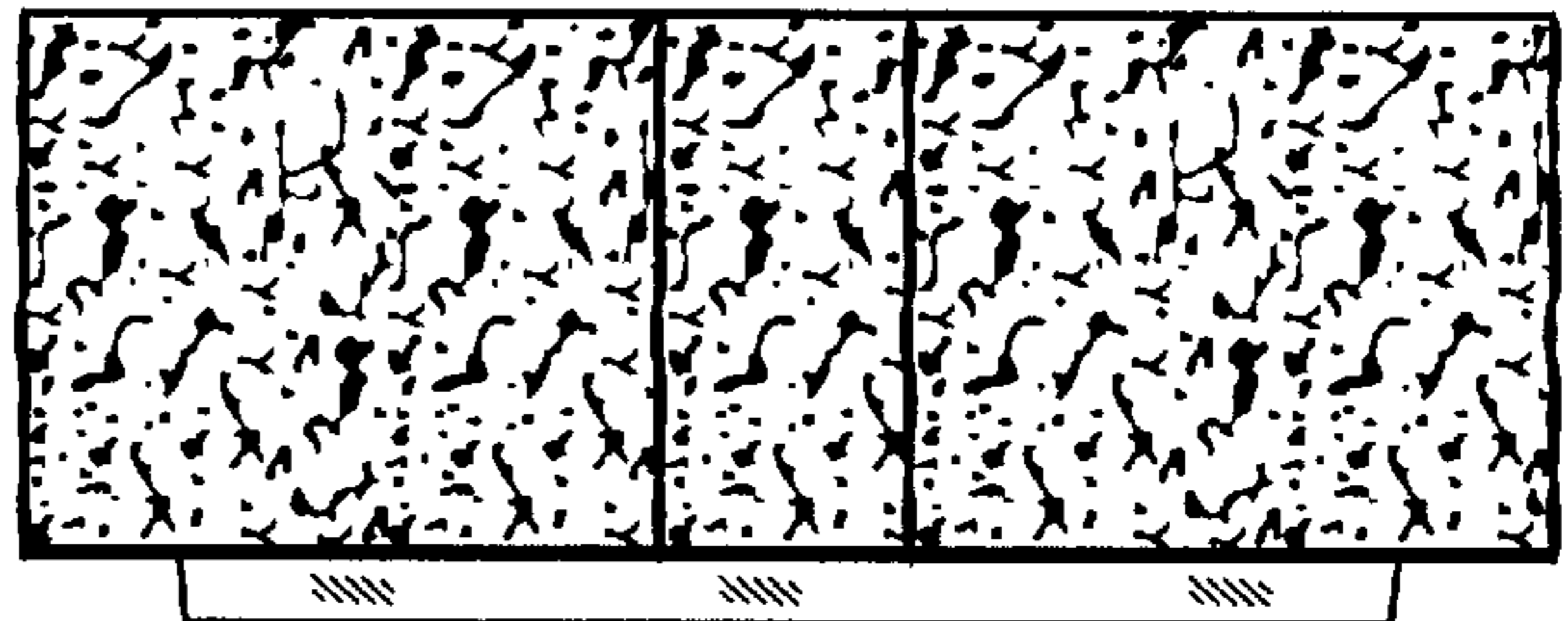


FIG. 6

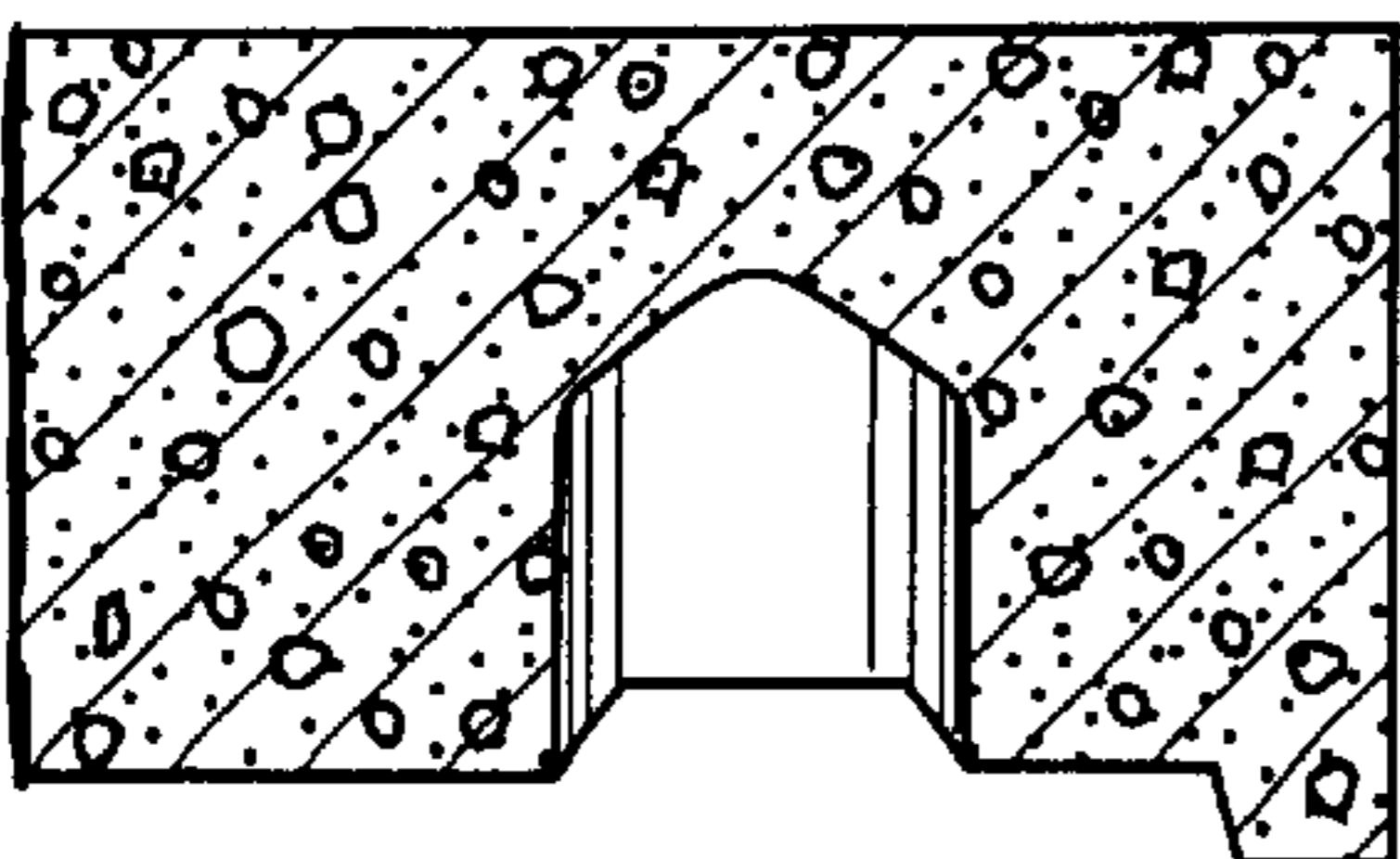


FIG. 7

