



US00D466225S

(12) **United States Design Patent**  
**Rosko**

(10) **Patent No.:** **US D466,225 S**

(45) **Date of Patent:** **\*\* Nov. 26, 2002**

(54) **STEP STOOL WITH TRAY**

6,026,933 A 2/2000 King et al.  
6,039,149 A 3/2000 Bedja et al.  
D433,156 S \* 10/2000 Gibson et al. .... D25/64

(75) Inventor: **M. Scot Rosko**, Greenwood, IN (US)

(73) Assignee: **Cosco Management, Inc.**, Wilmington, DE (US)

(\*\*) Term: **14 Years**

(21) Appl. No.: **29/135,284**

(22) Filed: **Jan. 9, 2001**

(51) **LOC (7) Cl.** ..... **25-04**

(52) **U.S. Cl.** ..... **D25/64**

(58) **Field of Search** ..... D25/62-64; 182/26,  
182/194, 180, 196, 179, 20-23

(56) **References Cited**

**U.S. PATENT DOCUMENTS**

4,502,564 A	3/1985	Kummerlin et al.
5,503,245 A	4/1996	Etesam
D387,878 S	12/1997	Jacques
D388,882 S	1/1998	Kain
5,722,507 A	3/1998	Kain
5,762,163 A	6/1998	Kain
D410,550 S	6/1999	Meyers
D411,888 S	7/1999	King
5,937,968 A	8/1999	Gibson et al.
D414,566 S	9/1999	Gibson et al.
D414,879 S	10/1999	Meyers
6,000,497 A	12/1999	Kain et al.

**OTHER PUBLICATIONS**

Brochure entitled "Cosco Creating the Comforts of Home Home Furnishings 1991;" pp. 21-24.  
Brochure entitled "Cosco 1995 Home Furnishings;" pp. 1-6.  
Brochure entitled "Cosco A Dorel Company Home Furnishings 1996;" pp. 14-25.

\* cited by examiner

*Primary Examiner*—Doris Clark

(74) *Attorney, Agent, or Firm*—Barnes & Thornburg

(57) **CLAIM**

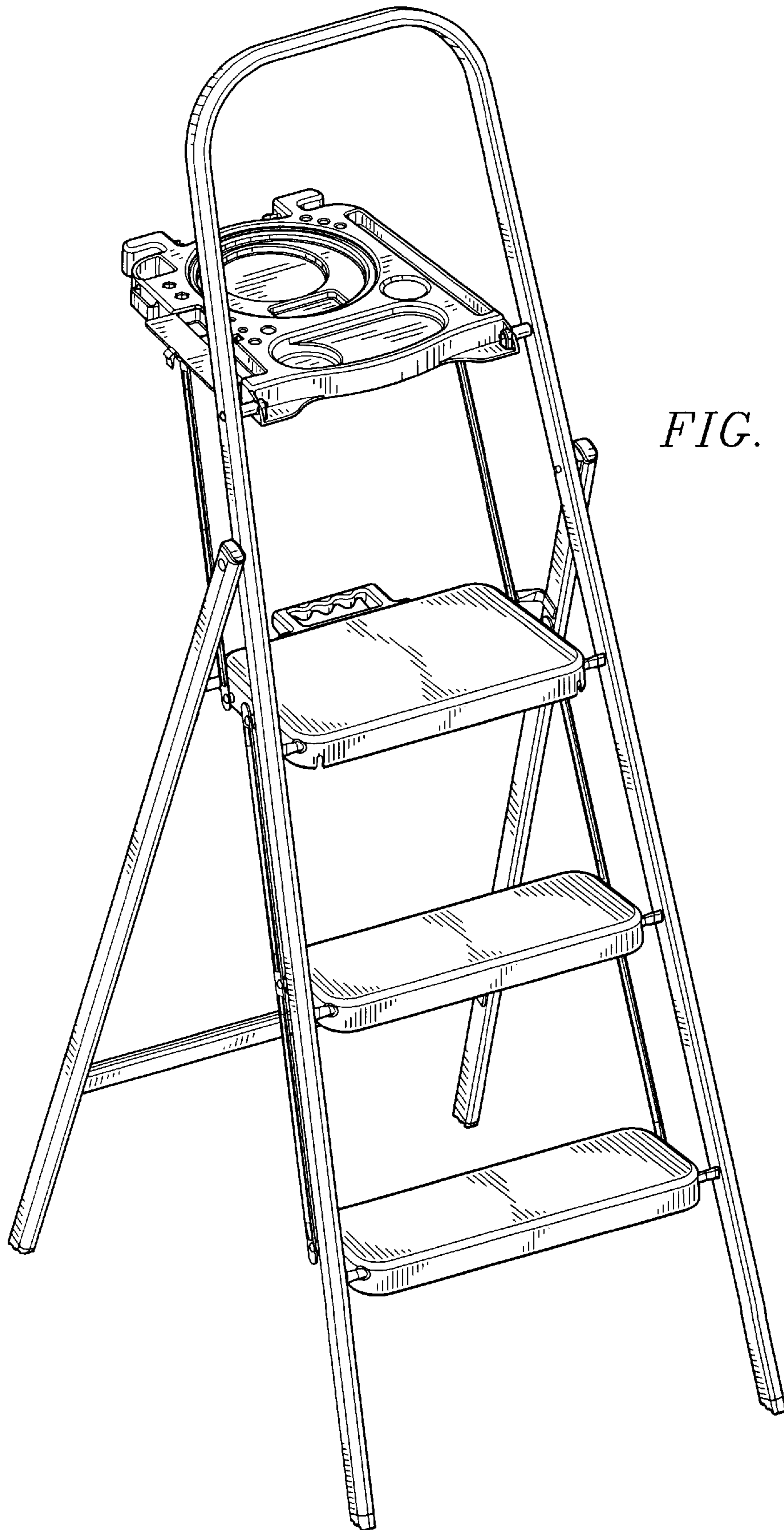
The ornamental design for a step stool with tray, as shown and described.

**DESCRIPTION**

FIG. 1 is a perspective view of a step stool with tray showing my new design;  
FIG. 2 is a front elevational view thereof;  
FIG. 3 is a right-side elevational view thereof;  
FIG. 4 is a rear elevational view thereof;  
FIG. 5 is a left-side elevational view thereof;  
FIG. 6 is a top view thereof; and,  
FIG. 7 is a bottom view thereof.

**1 Claim, 5 Drawing Sheets**





*FIG. 1*

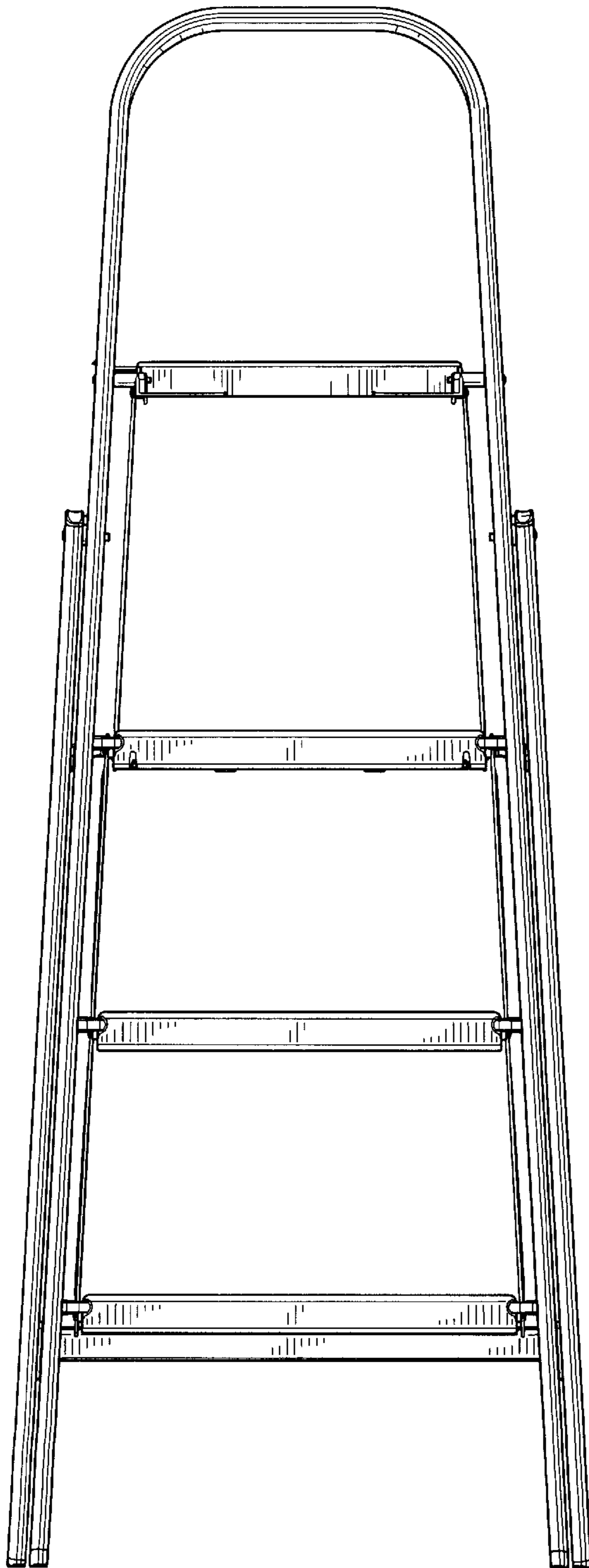


FIG. 2

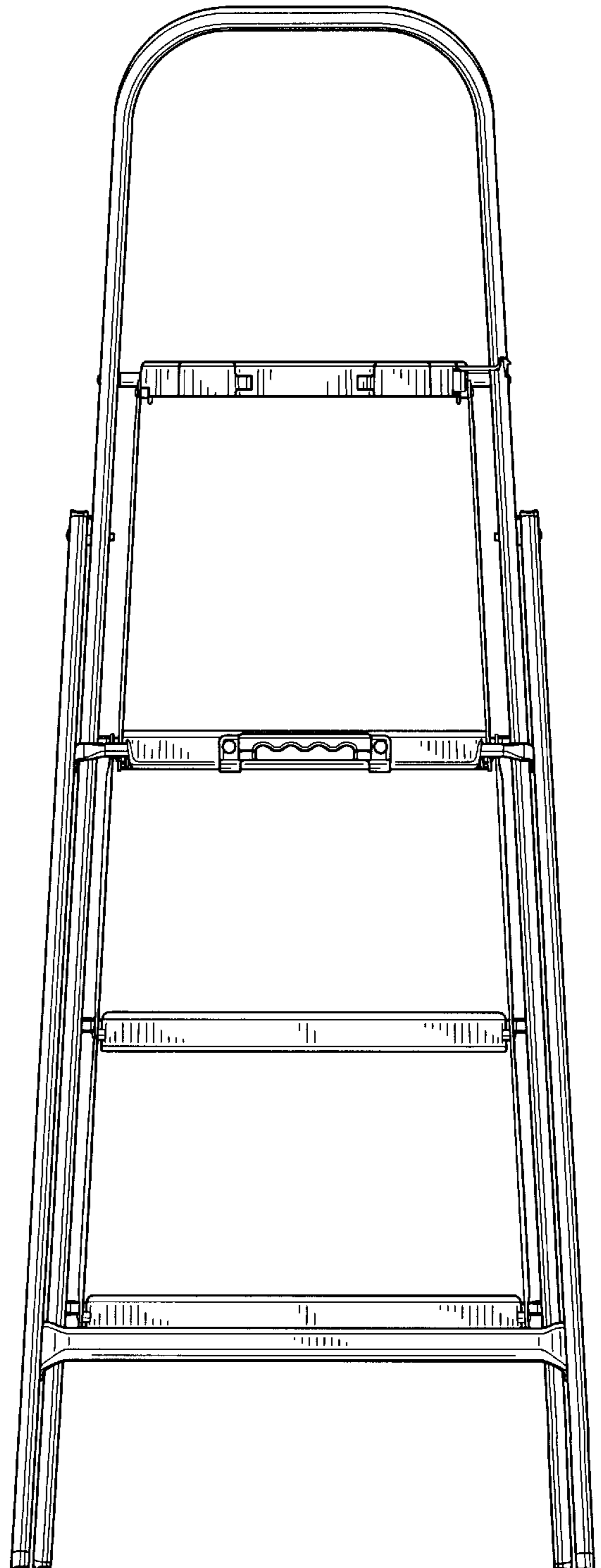


FIG. 4

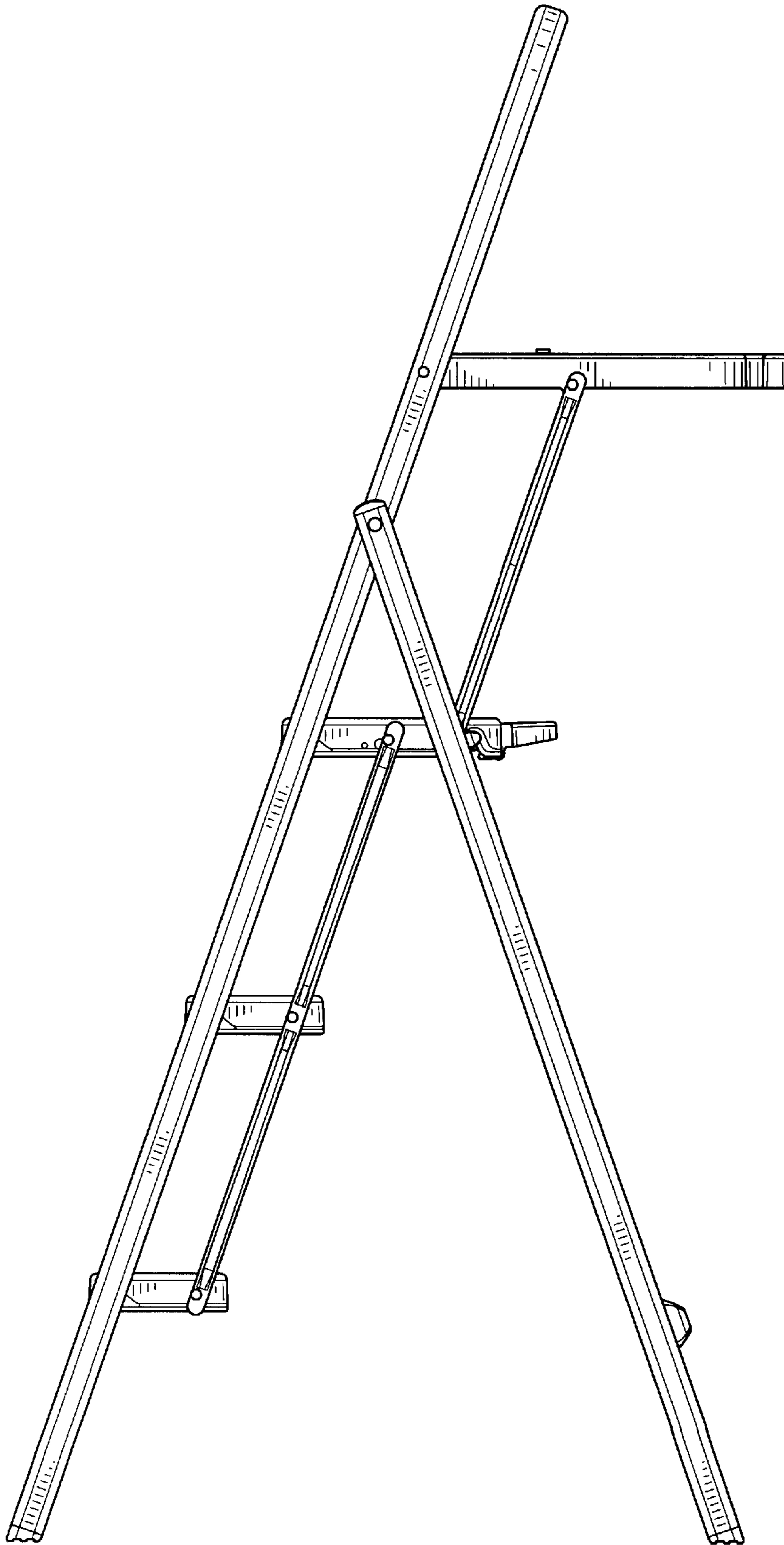


FIG. 3

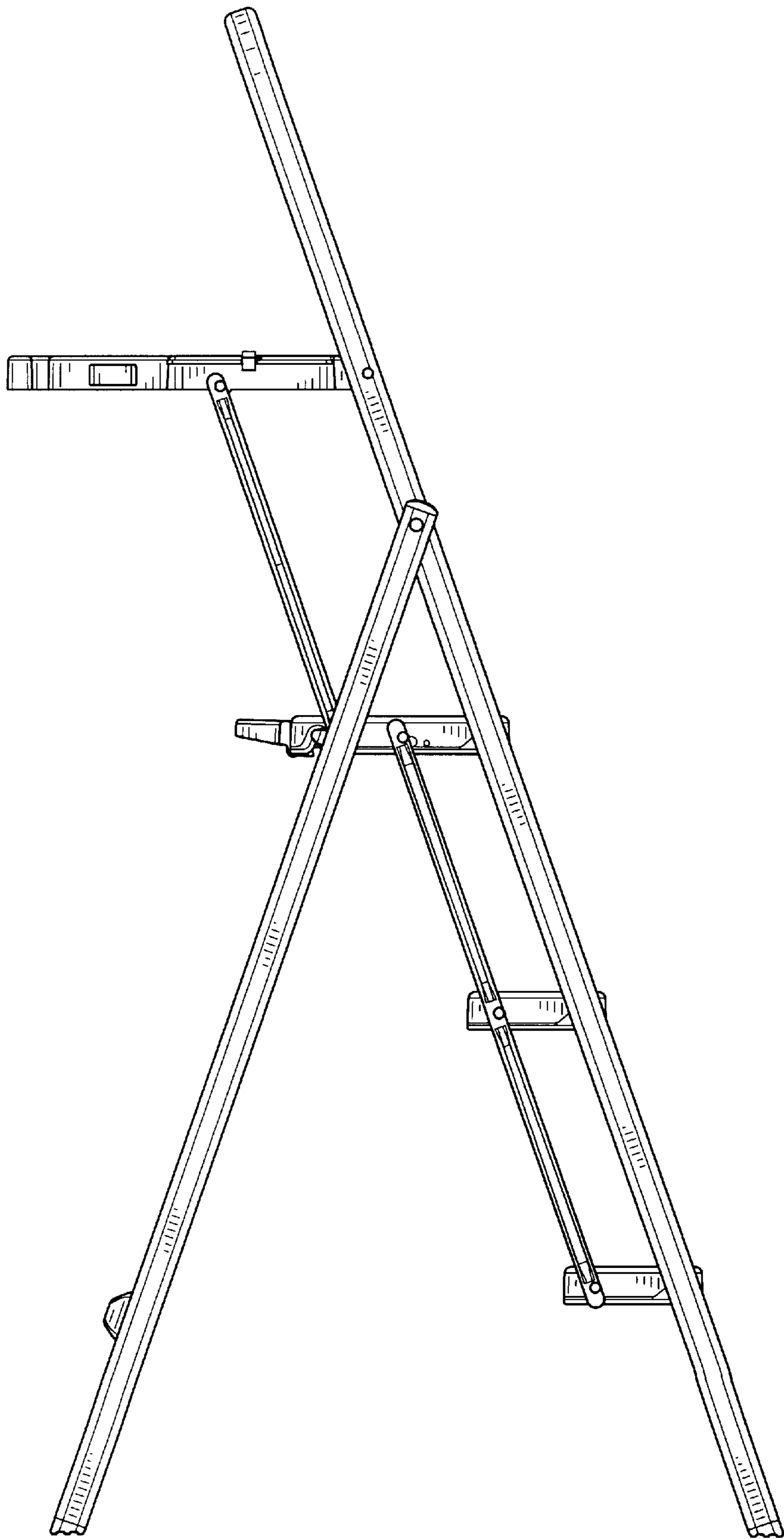


FIG. 5

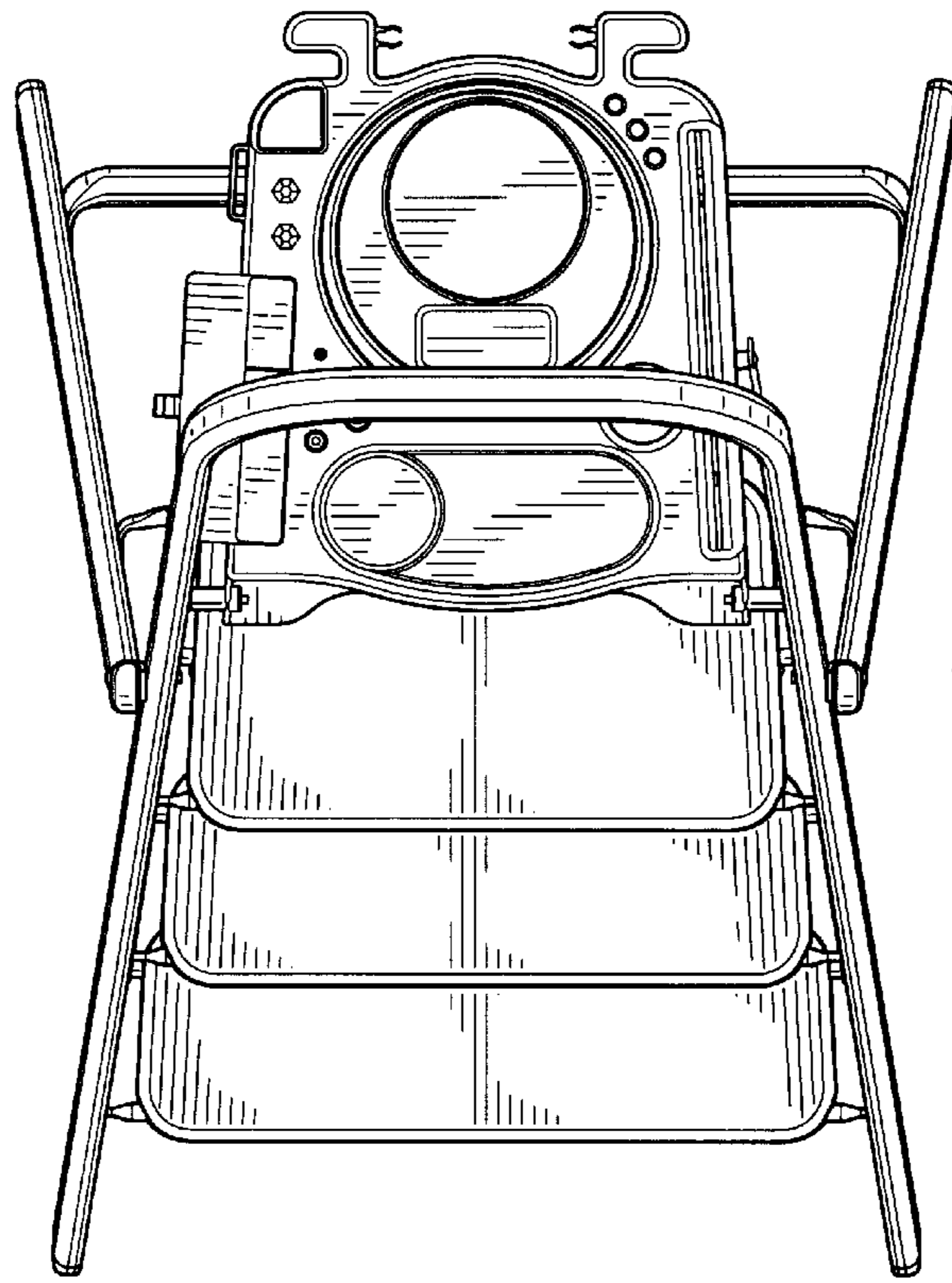


FIG. 6

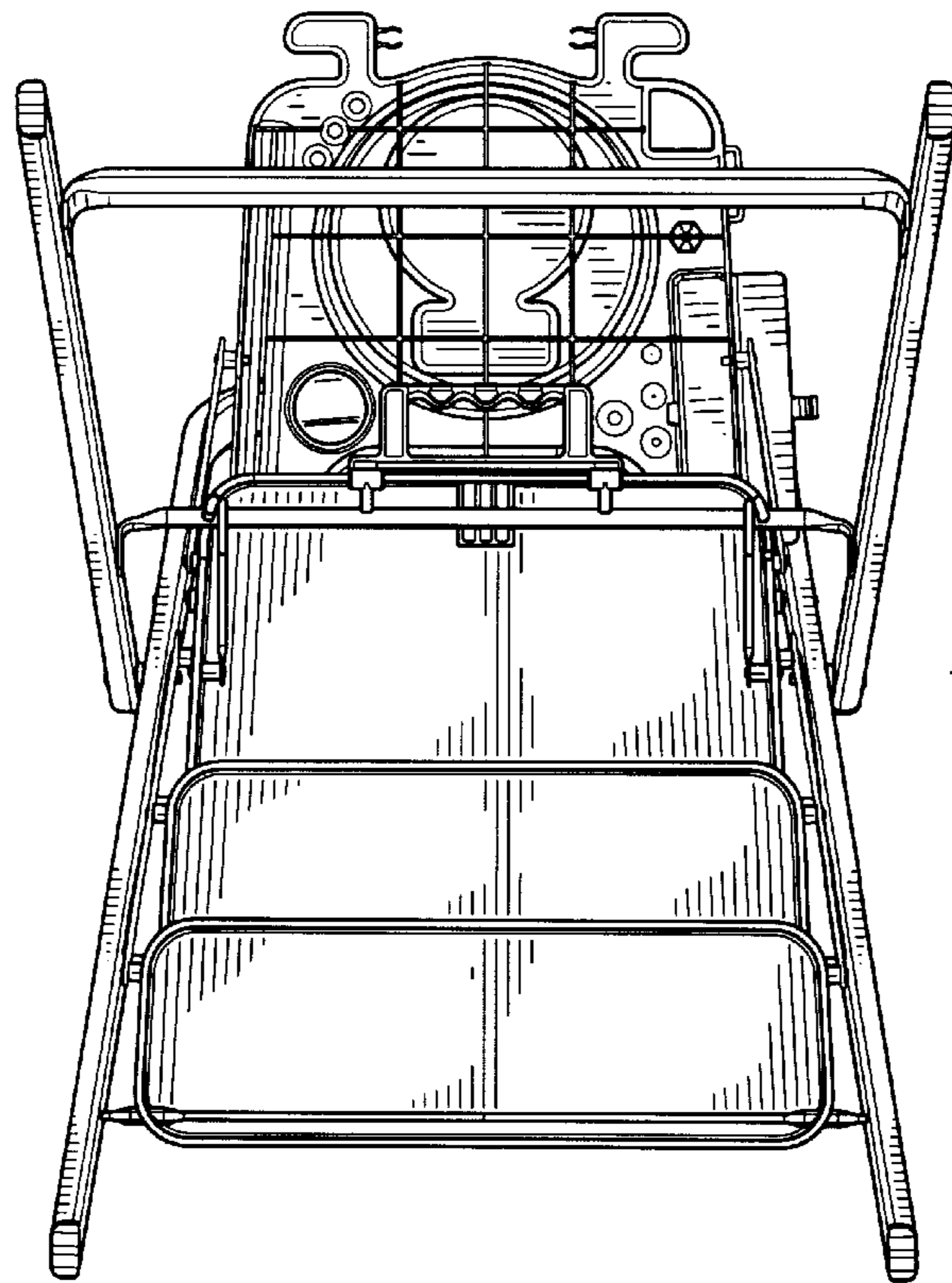


FIG. 7