



US00D466219S

(12) **United States Design Patent**
Wynschenk et al.

(10) **Patent No.:** **US D466,219 S**

(45) **Date of Patent:** **** Nov. 26, 2002**

(54) **CARRIER FOR TEST-TUBES**

(75) Inventors: **Ronald Josephus Clemens Wynschenk**, Lelystad (NL);
Bartholoneus Wilhelmus Kramer, Lelystad (NL)

(73) Assignee: **Micronic B.V.**, Lelystad (NL)

(**) Term: **14 Years**

(21) Appl. No.: **29/120,022**

(22) Filed: **Mar. 13, 2000**

(30) **Foreign Application Priority Data**

Sep. 13, 1999 (BX) 76161-02
Sep. 13, 1999 (BX) 76161-01

(51) **LOC (7) Cl.** **24-02**

(52) **U.S. Cl.** **D24/227; D24/230**

(58) **Field of Search** D24/224, 226,
D24/230, 227; 422/104, 102, 101, 63, 64;
211/74, 70.1, 71, 85.18

(56) **References Cited**

U.S. PATENT DOCUMENTS

D271,239 S * 11/1983 Lemieux et al. D24/230

5,110,556 A * 5/1992 Lyman et al. 422/101
5,514,343 A * 5/1996 Verwohlt et al. 422/101
D382,974 S * 8/1997 Lahm et al. D24/224
5,922,289 A * 7/1999 Wong 422/102

* cited by examiner

Primary Examiner—Ian Simmons

(74) *Attorney, Agent, or Firm*—Christie, Parker & Hale, LLP

(57) **CLAIM**

The ornamental design for carrier for test-tubes, as shown and described.

DESCRIPTION

FIG. 1 is a side elevation view of the carrier for test-tubes including a top and base member and a holder;
FIG. 2 is a front right side perspective view of the holder;
FIG. 3 is a bottom perspective view of the holder;
FIG. 4 is a top plan view of the holder;
FIG. 5 is a left side view of the top and base member;
FIG. 6 is a front right side elevation view of the top and base member; and,
FIG. 7 is a right side view of the top and base member.

1 Claim, 7 Drawing Sheets

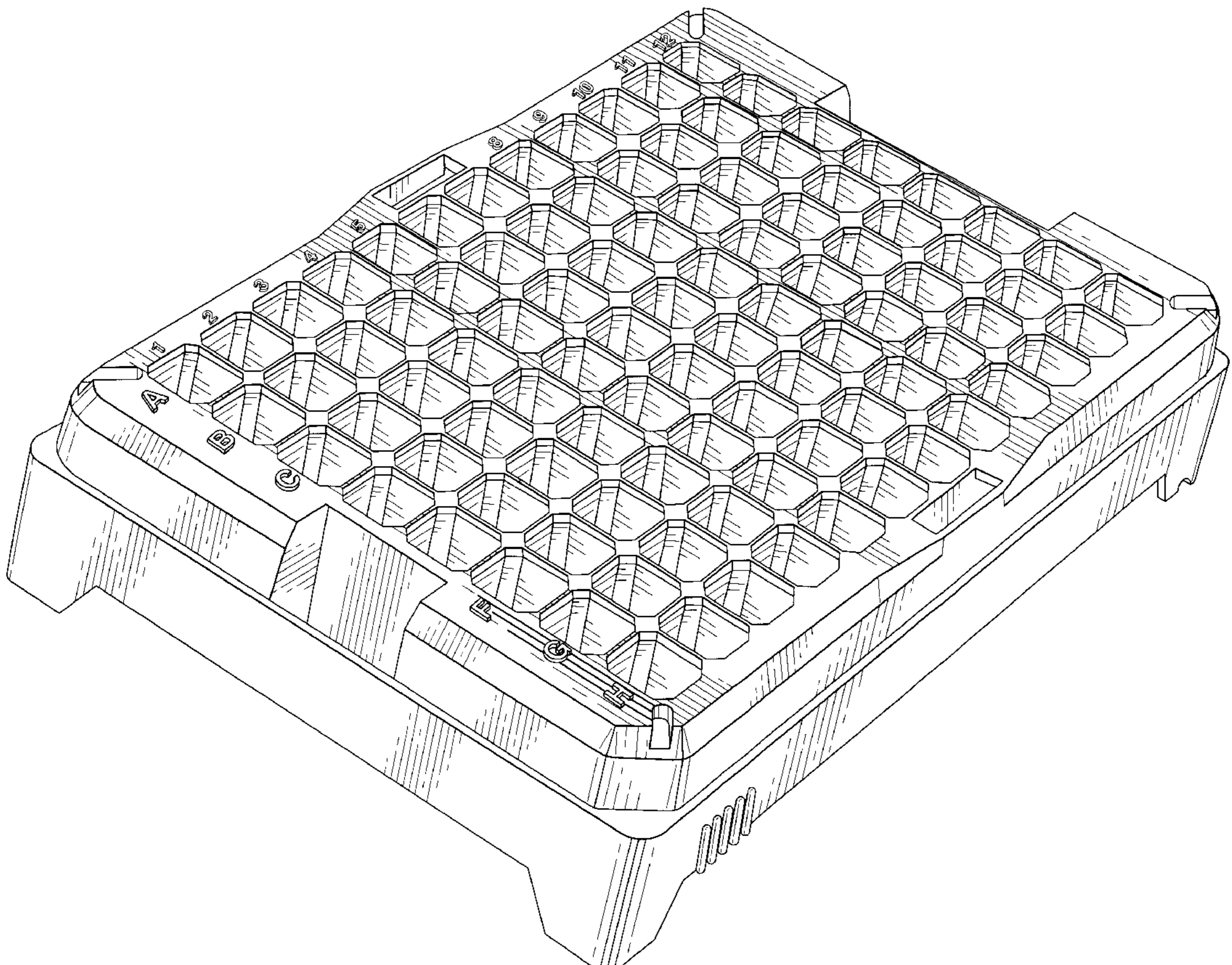
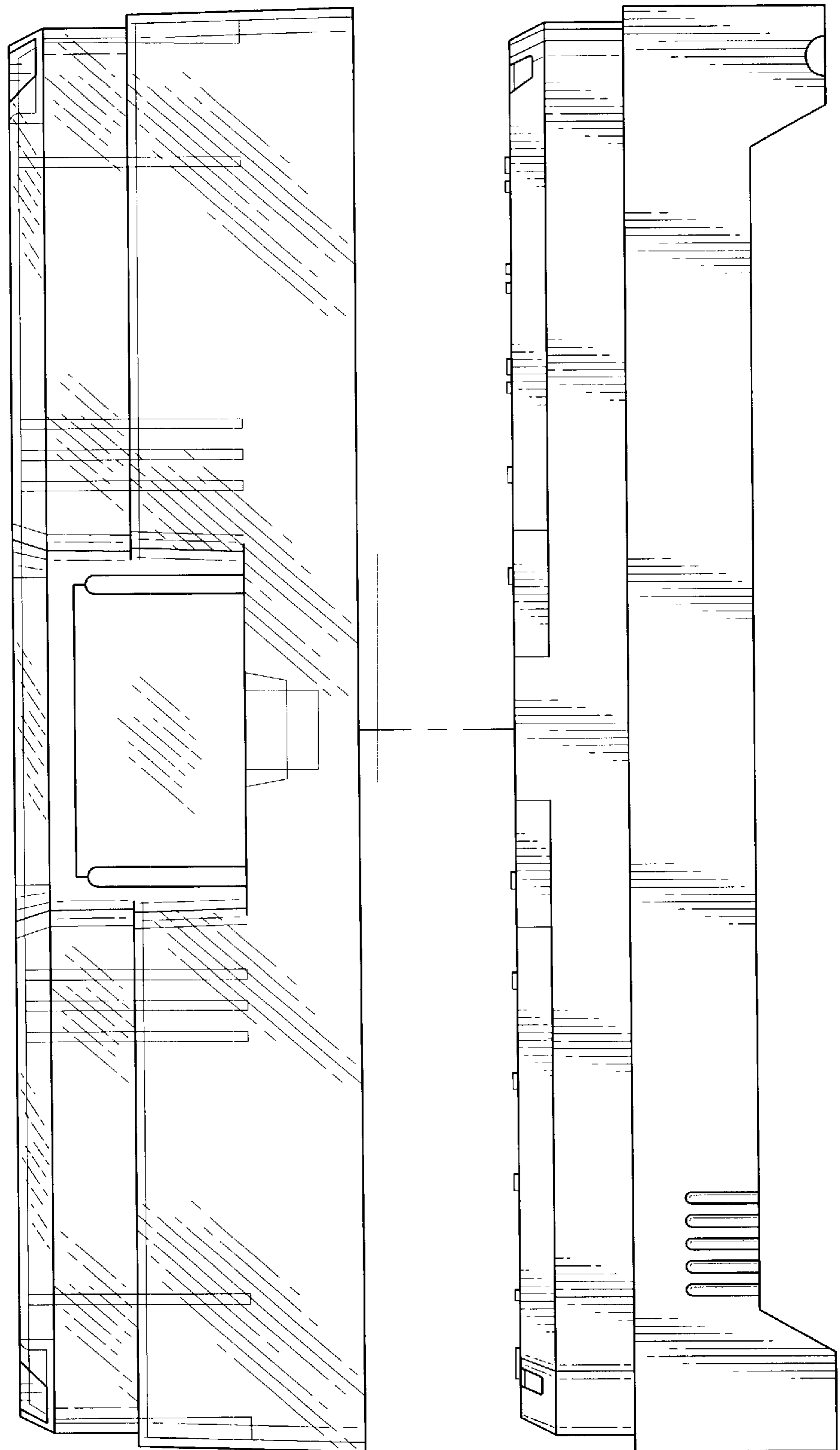


FIG. 1



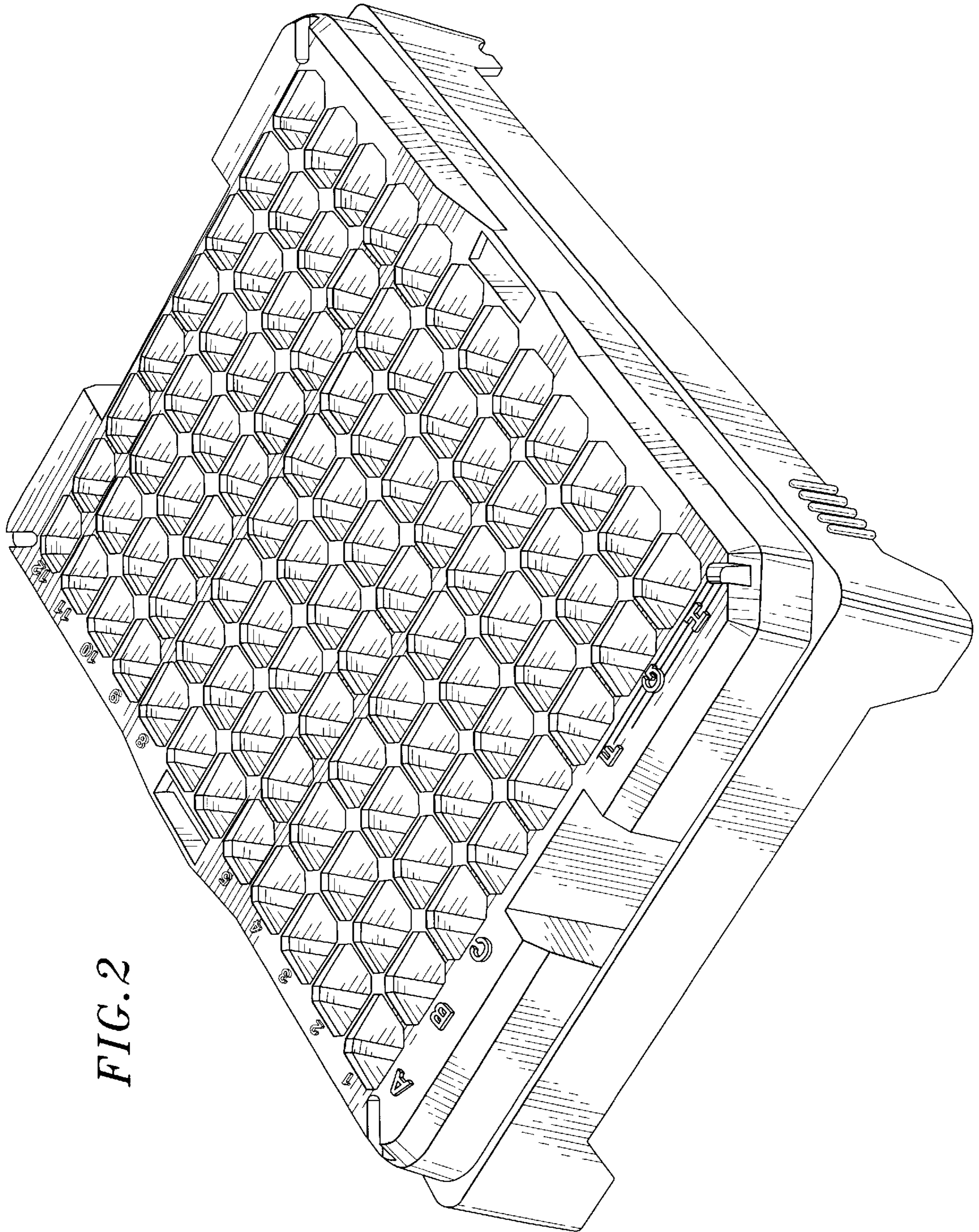


FIG. 2

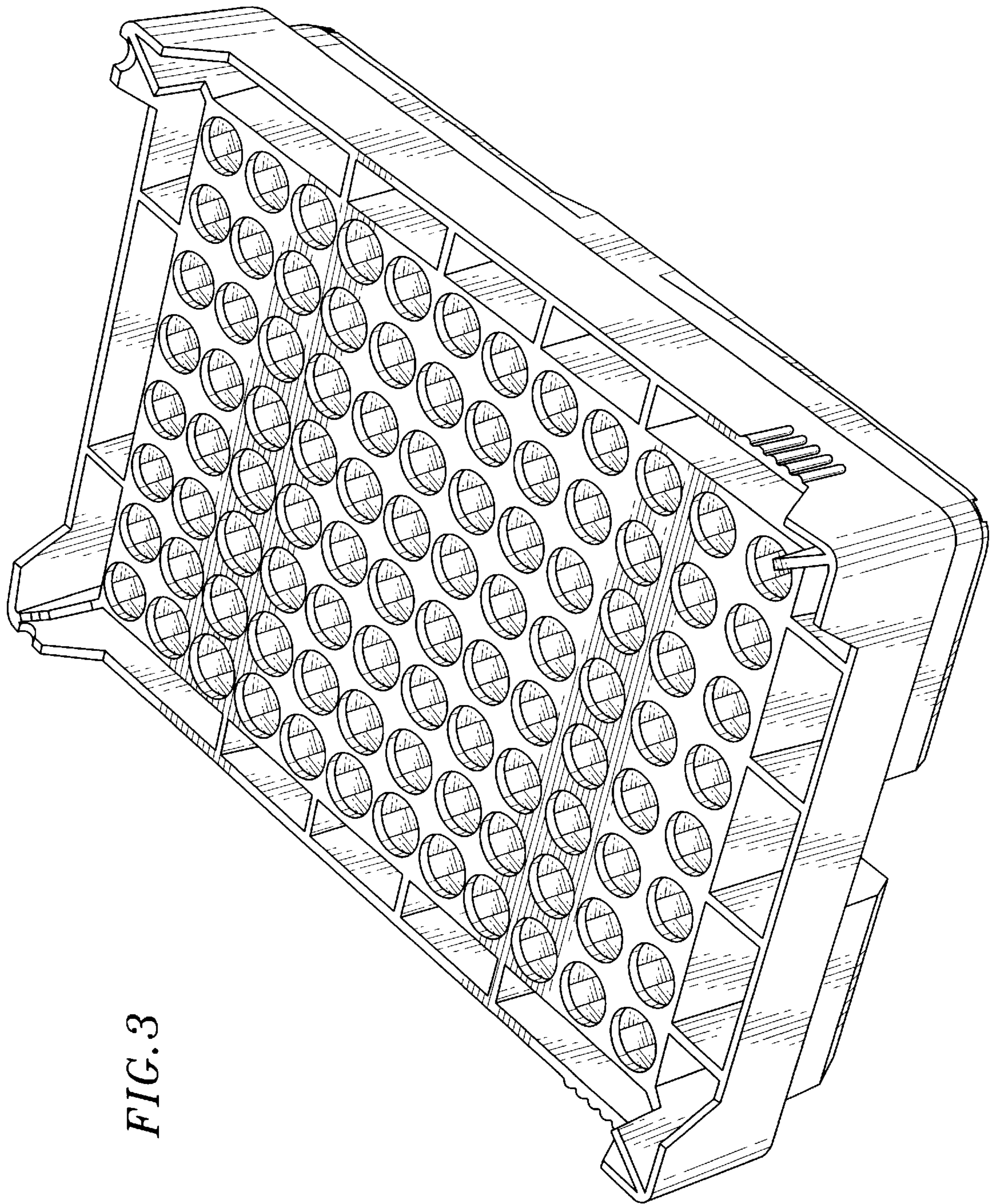


FIG. 3

FIG. 4

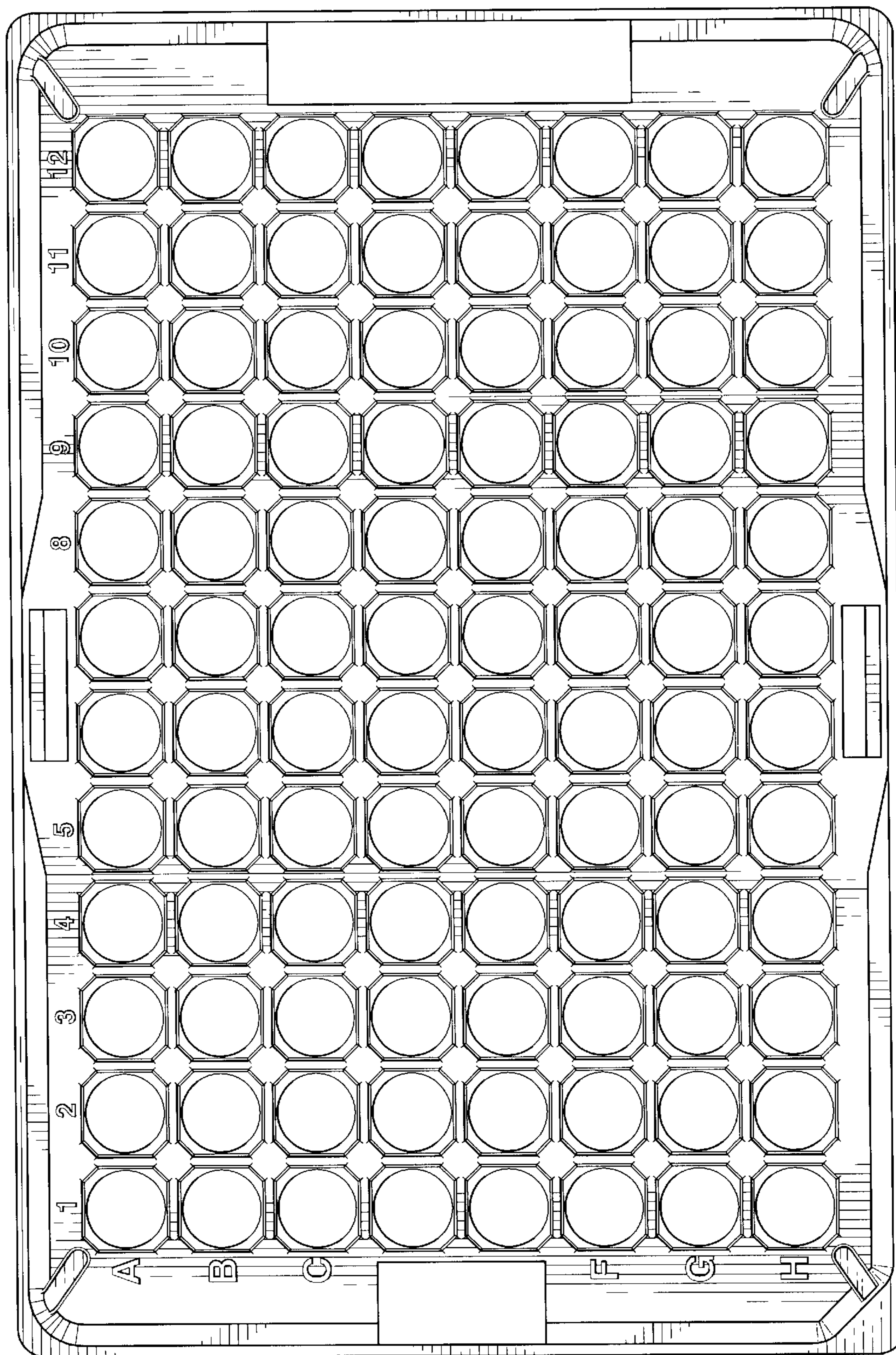
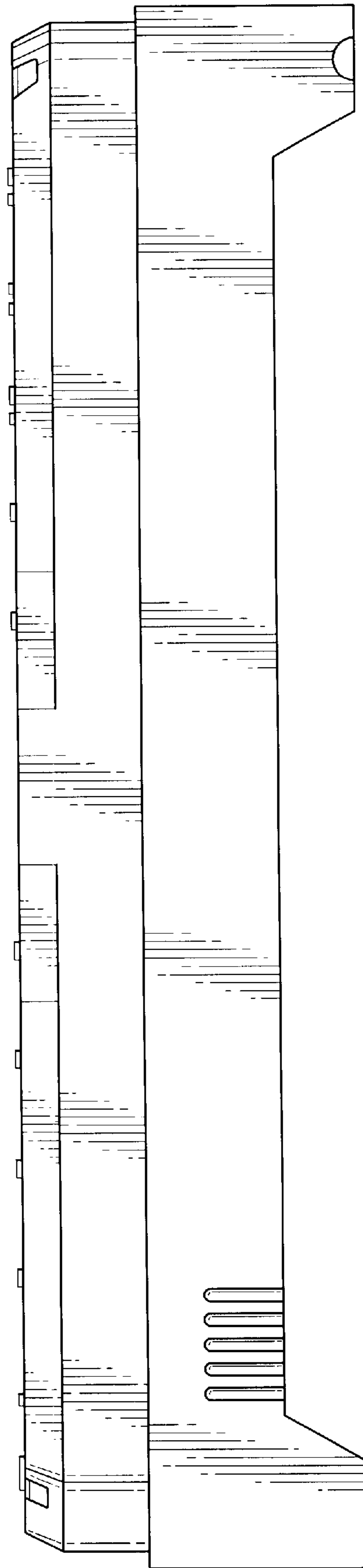


FIG. 5



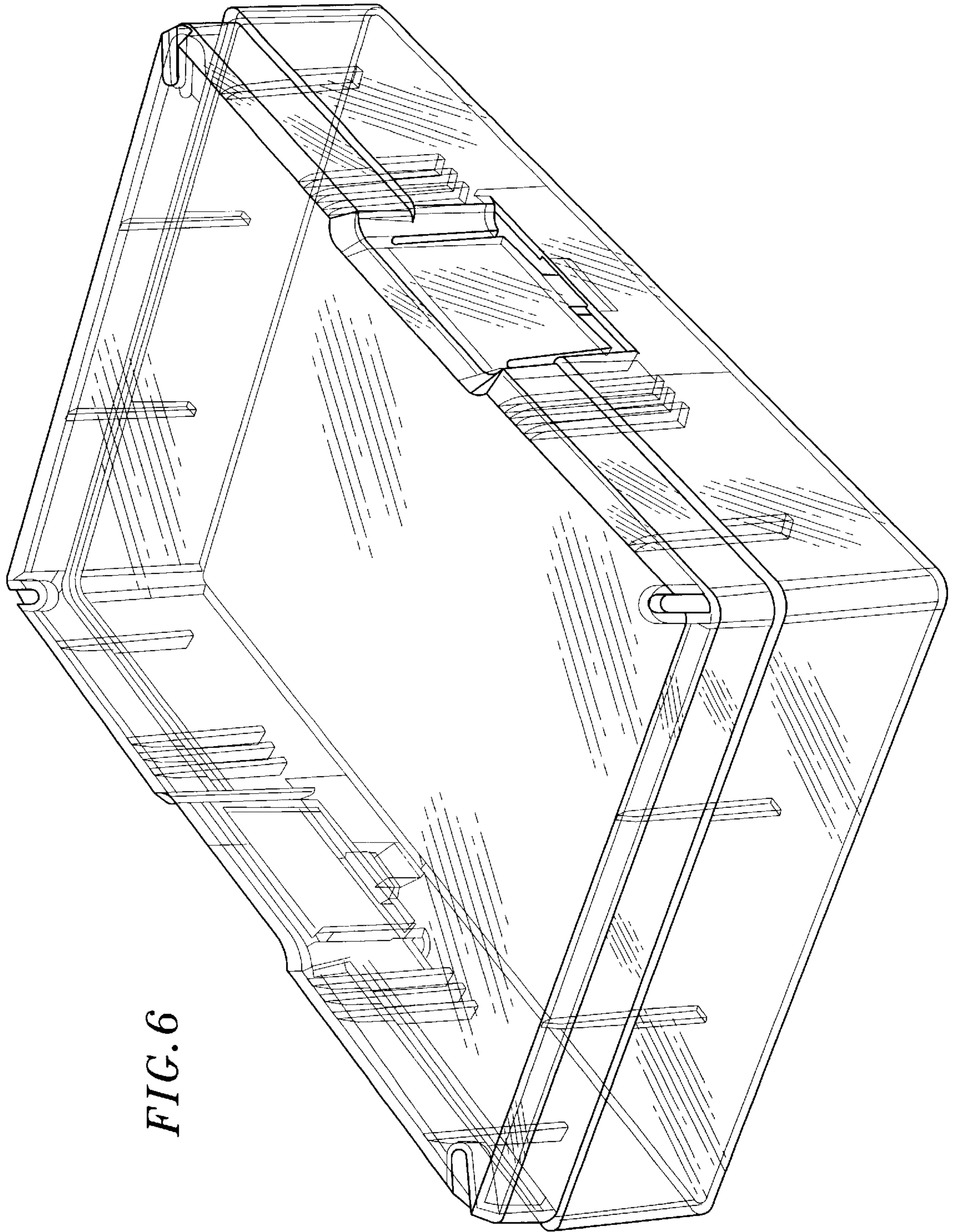


FIG. 6

FIG. 7

