



US00D466218S

(12) **United States Design Patent**  
**Dalton et al.**

(10) **Patent No.:** **US D466,218 S**

(45) **Date of Patent:** **\*\* Nov. 26, 2002**

(54) **SEXUAL STIMULATOR**

D320,087 S \* 9/1991 Sholzberg et al. .... D24/215  
5,690,603 A \* 11/1997 Kain ..... 600/38

(76) Inventors: **Shawn M. Dalton**, RR#3, Goderich,  
Ontario (CA), N7A 3X9; **Laurie Dalton**, RR#3, Goderich, Ontario (CA),  
N7A 3X9

\* cited by examiner

*Primary Examiner*—Stella Reid

(\*\*) Term: **14 Years**

(57) **CLAIM**

The ornamental design for a sexual stimulator, as shown and described.

(21) Appl. No.: **29/156,929**

(22) Filed: **Mar. 8, 2002**

**DESCRIPTION**

(51) **LOC (7) Cl.** ..... **28-03**

FIG. 1 is a front elevational view of a sexual stimulator showing my new design, the rear elevational view being a mirror image thereof;

(52) **U.S. Cl.** ..... **D24/215**

FIG. 2 is a side view, taken from the left side of FIG. 1;

(58) **Field of Search** ..... D24/215, 200;  
600/38, 29; 601/97

FIG. 3 is a side view, taken from the right side of FIG. 1;

FIG. 4 is a top plan view thereof;

(56) **References Cited**

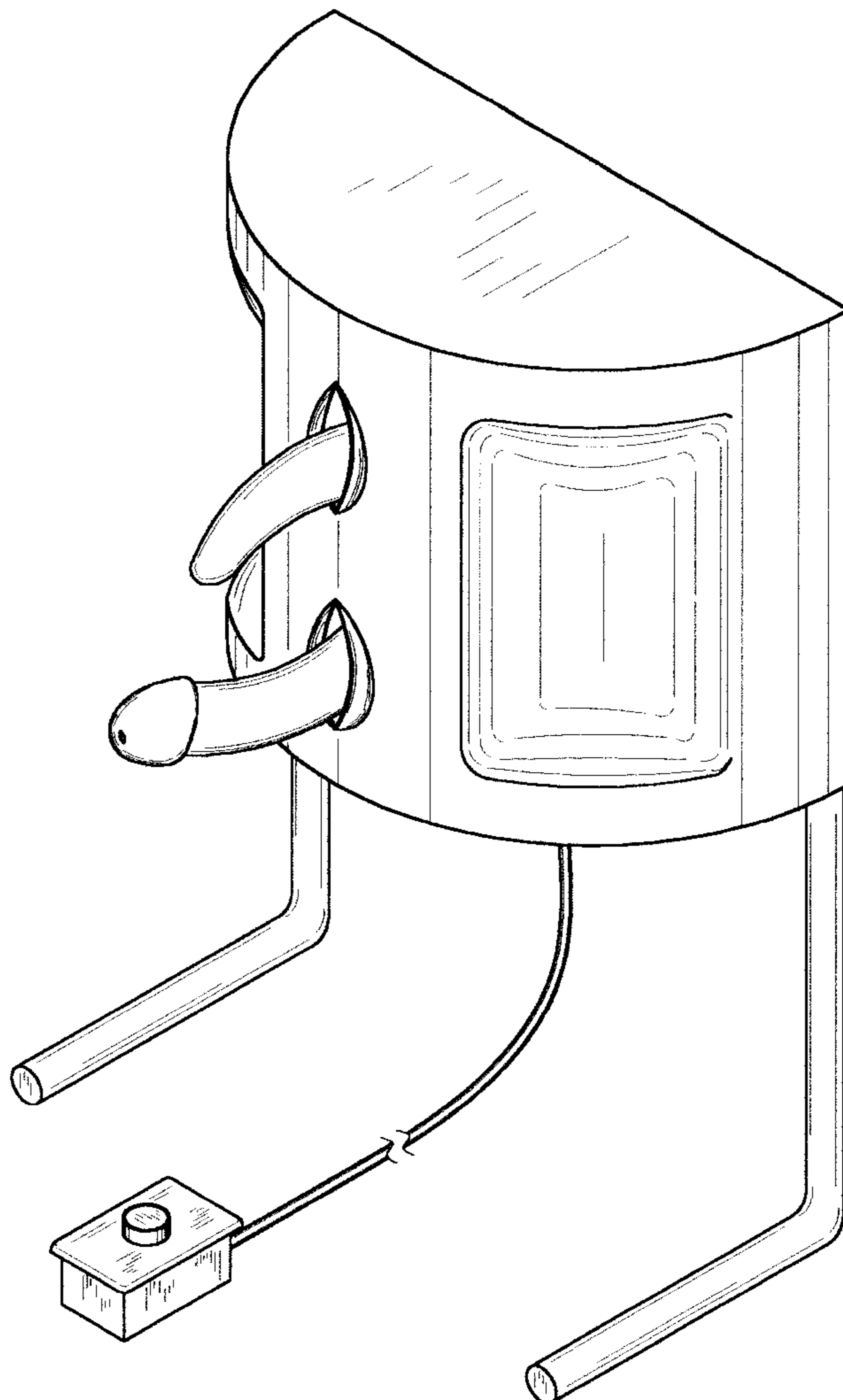
**U.S. PATENT DOCUMENTS**

3,554,184 A \* 1/1971 Habib ..... 600/29  
4,722,327 A \* 2/1988 Harvey ..... 601/97  
4,790,296 A \* 12/1988 Segal ..... 601/97

FIG. 5 is a bottom plan view thereof; and,

FIG. 6 is a perspective view thereof.

**1 Claim, 6 Drawing Sheets**



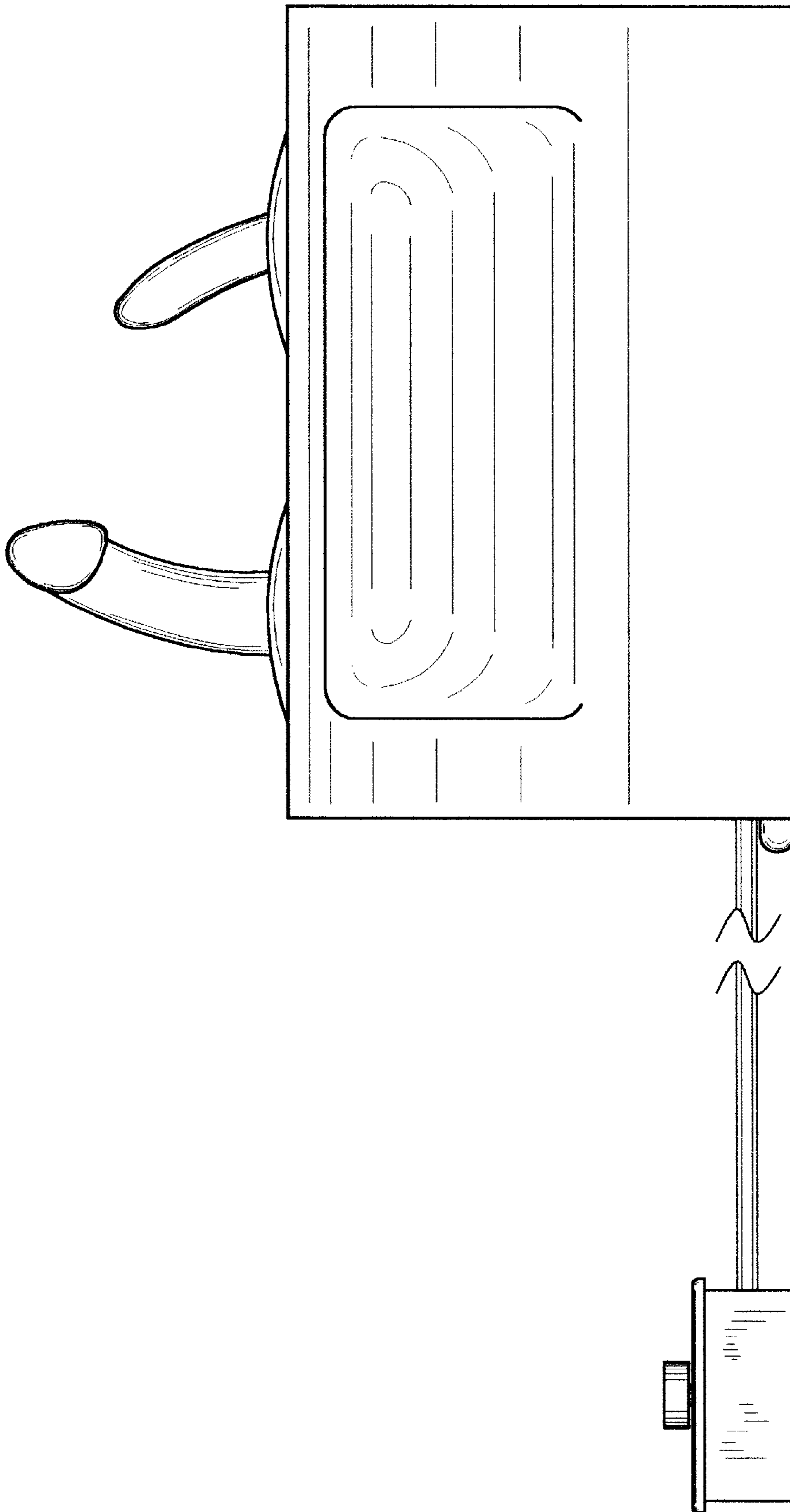


FIG. 1

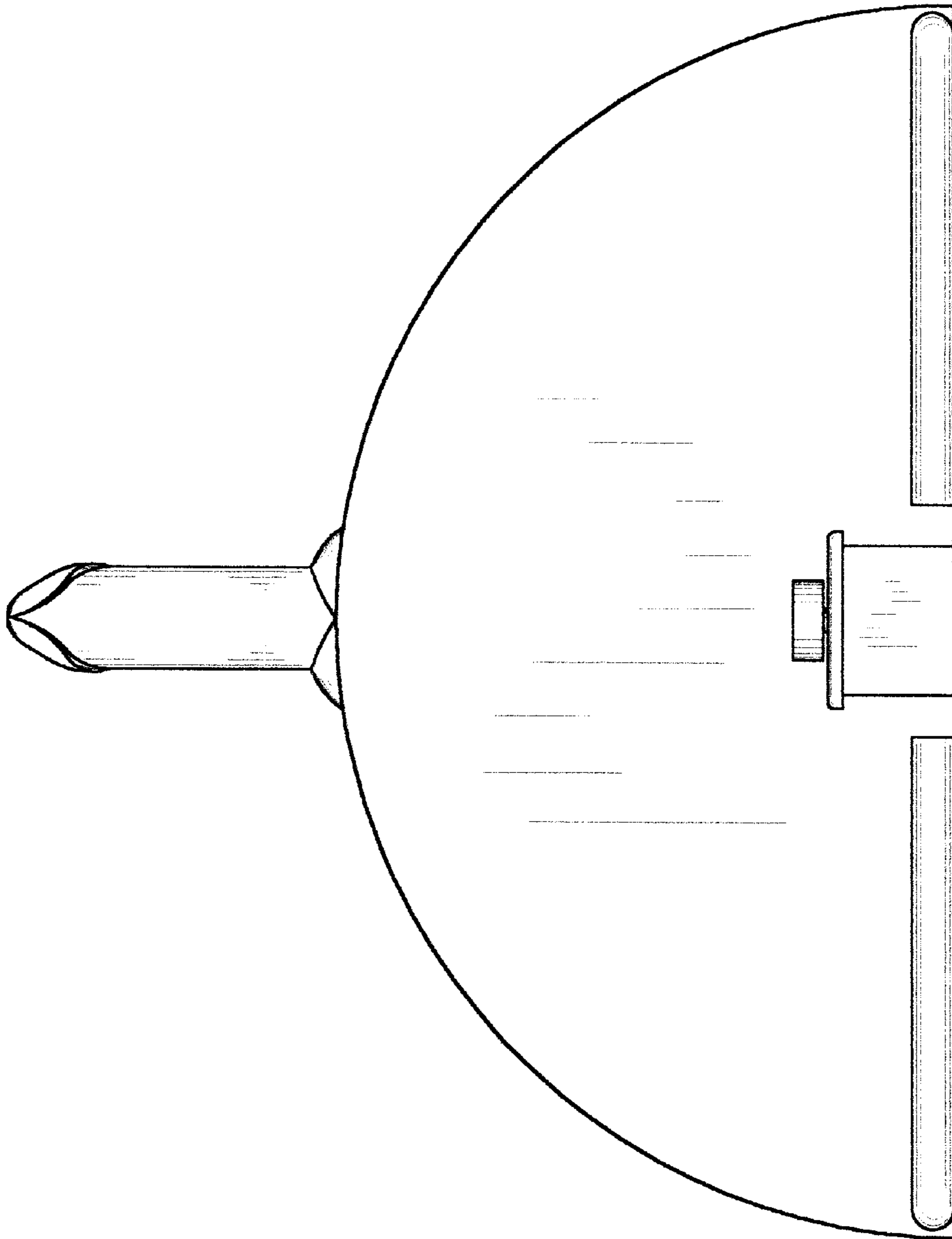


FIG. 2

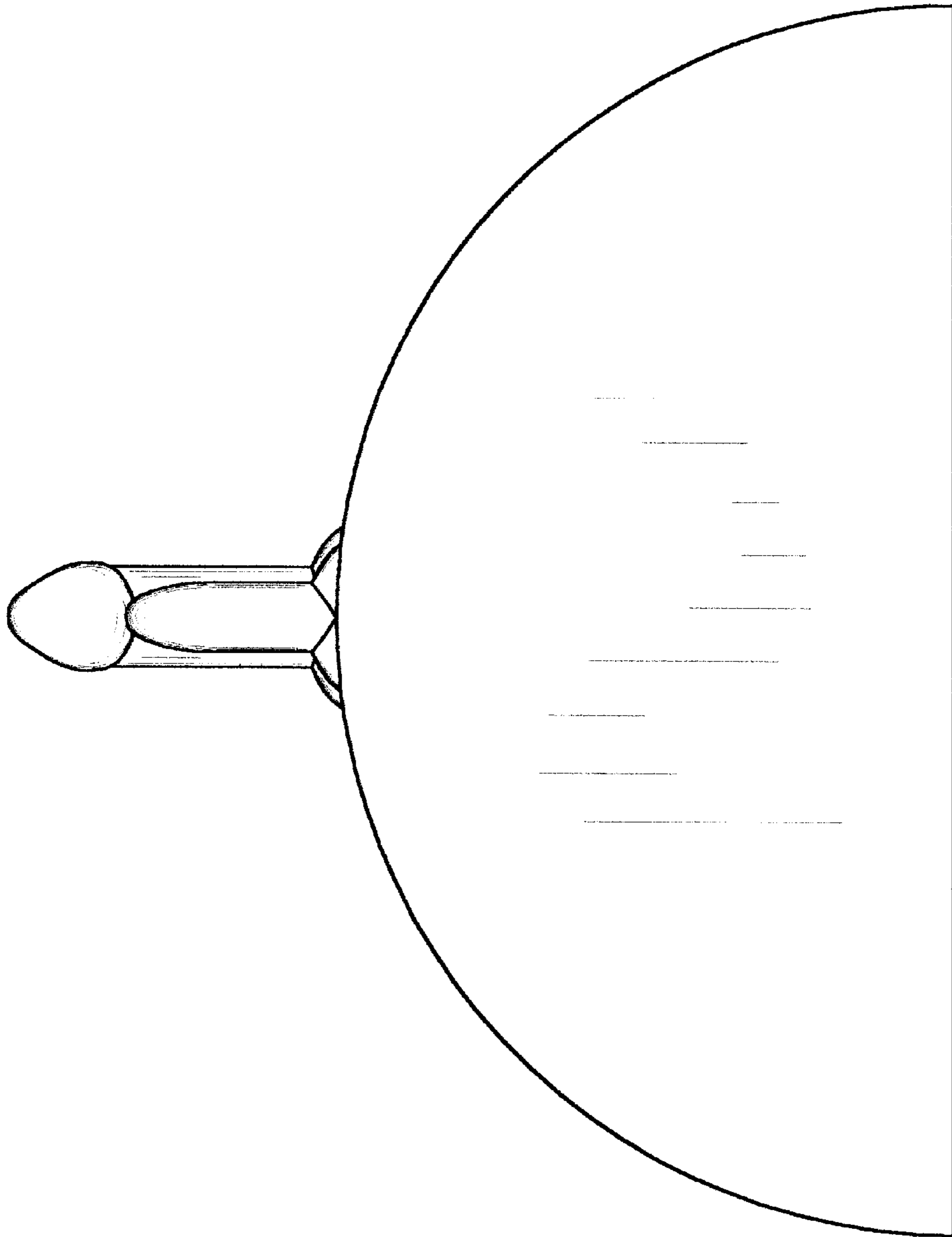


FIG. 3

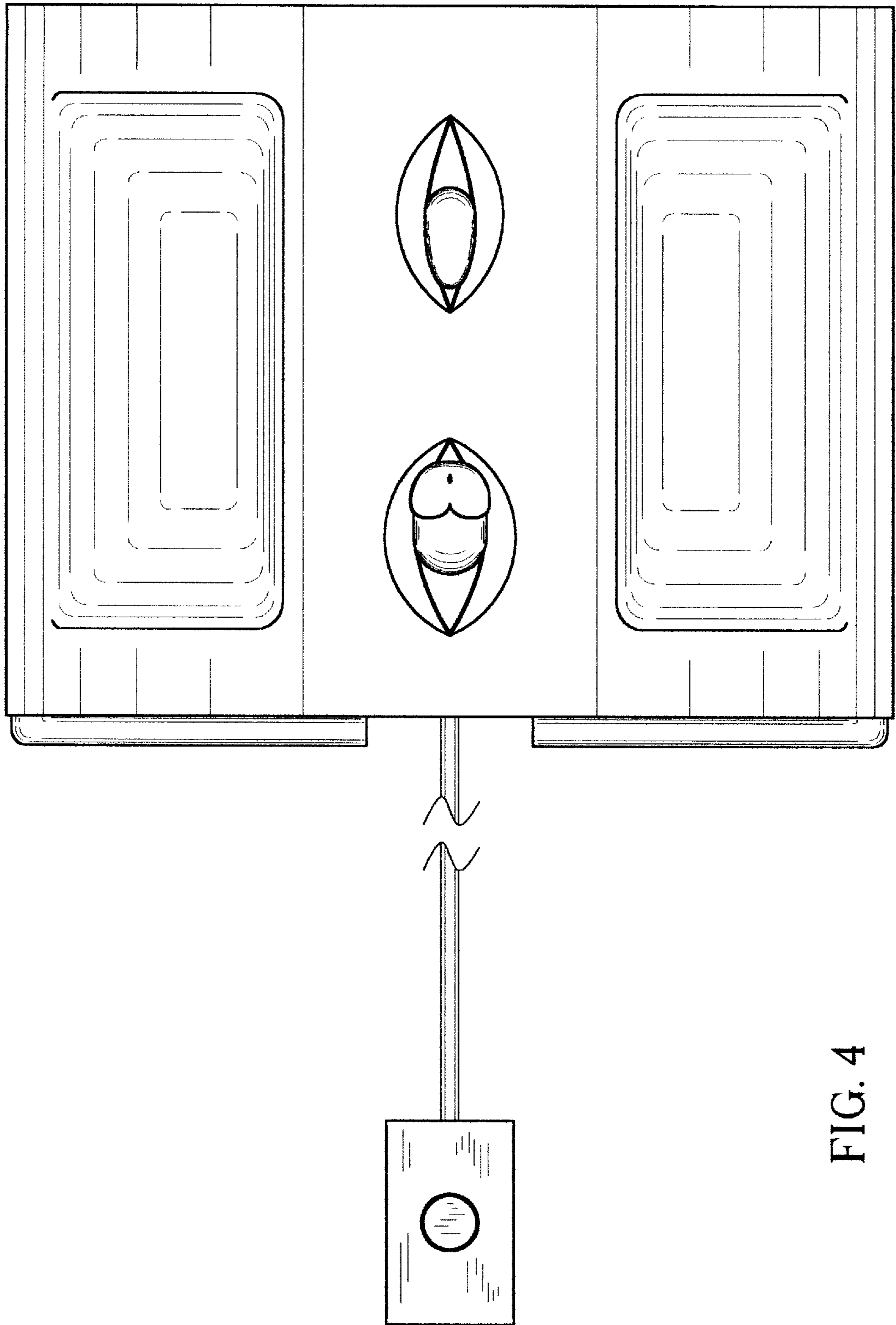


FIG. 4

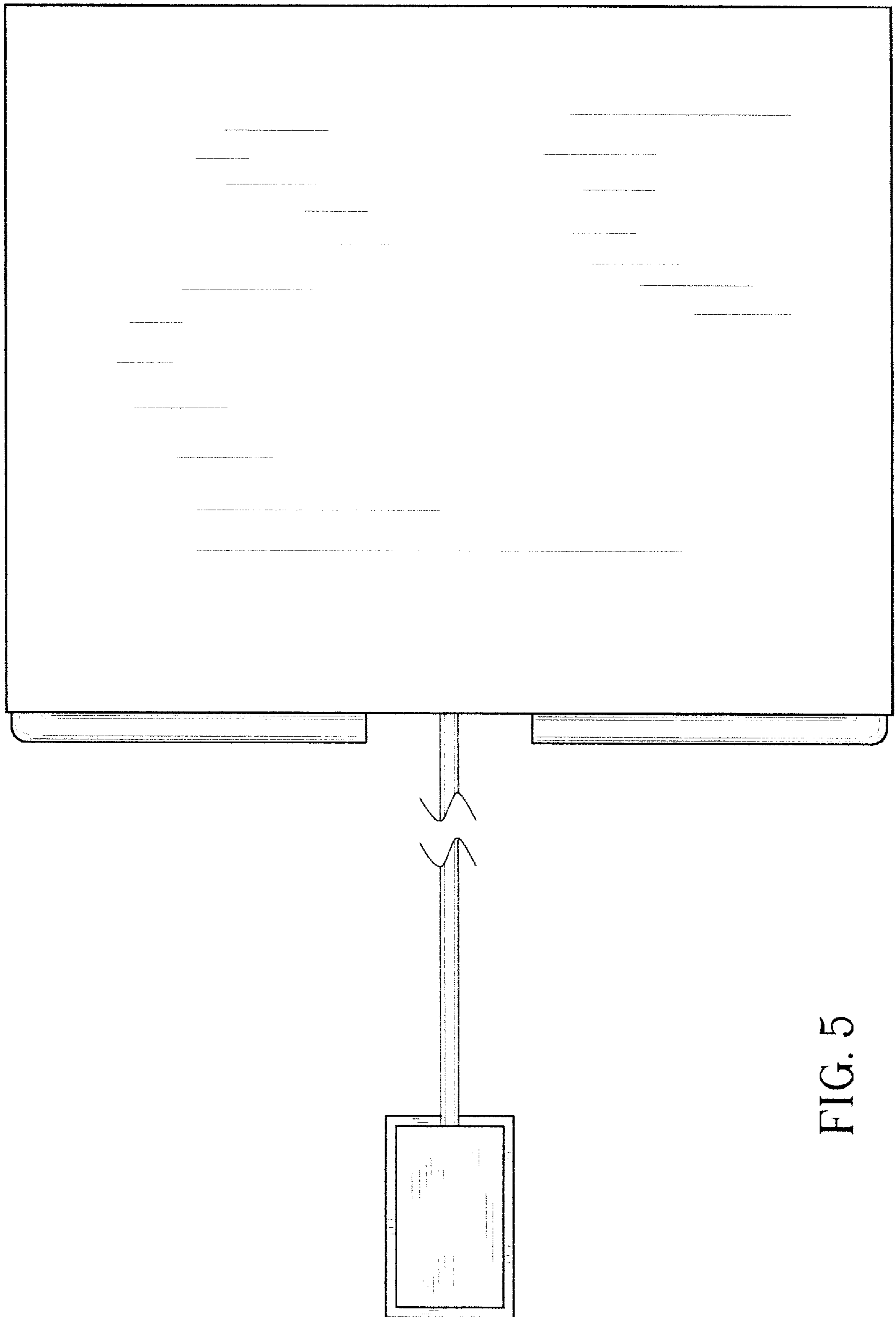


FIG. 5

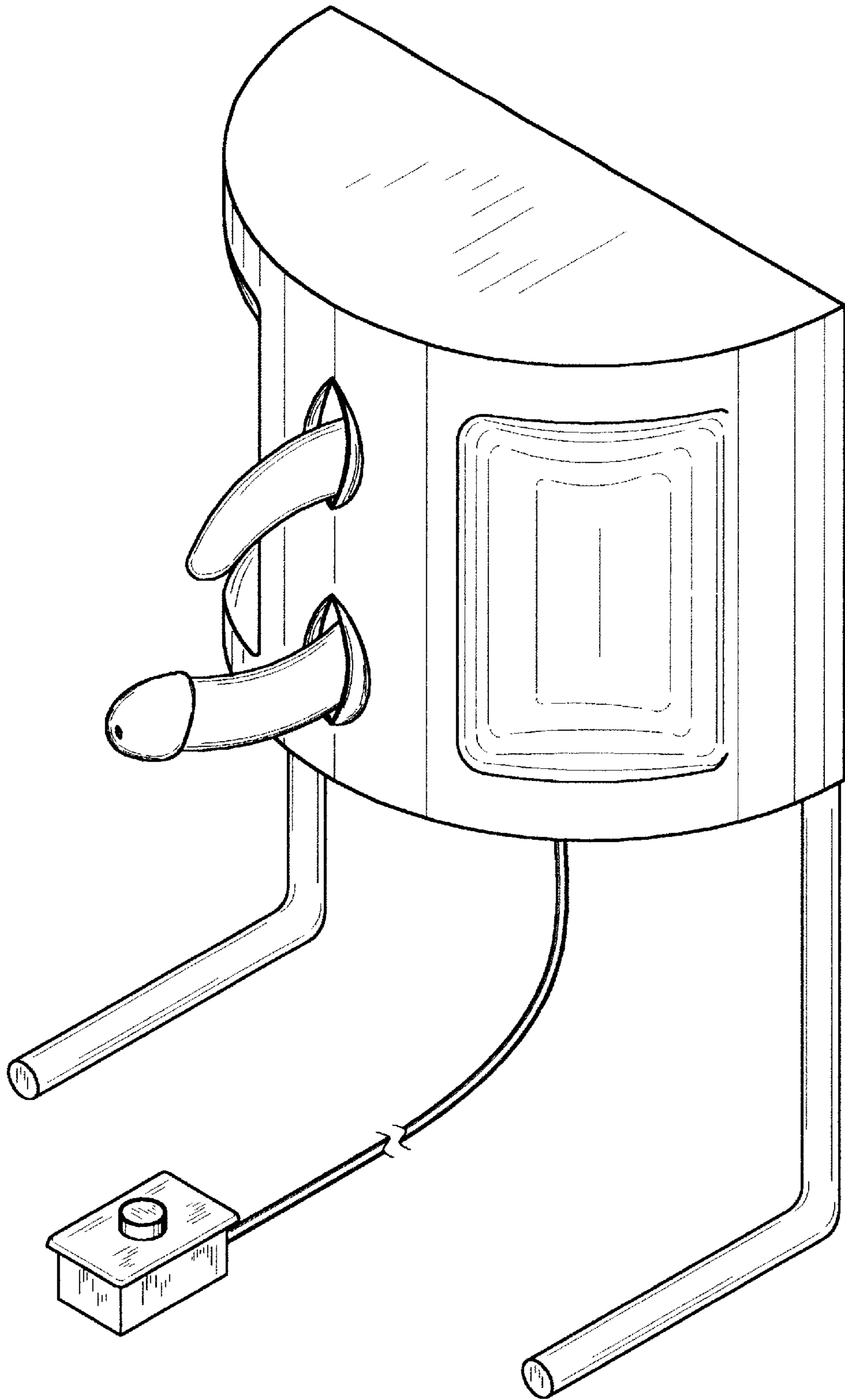


FIG. 6