

US00D466215S

(12) **United States Design Patent** (10) **Patent No.:** **US D466,215 S**
Lindseth et al. (45) **Date of Patent:** **** Nov. 26, 2002**

(54) **CPR PROMPT DEVICE**

(75) Inventors: **Steven W. Lindseth**, Gates Mill, OH (US); **R. Richard Carpenter**, Hudson, OH (US); **John J. Pastrick**, University Heights, OH (US); **Kyle Swen**, Campbell, CA (US); **Brett Lovelady**, Saratoga, CA (US); **Mark E. Cook**, Stow, OH (US); **Curt Bingham**, Redwood City, CA (US)

(73) Assignee: **Compliant Corporation**, Solon, OH (US)

(**) Term: **14 Years**

(21) Appl. No.: **29/116,017**

(22) Filed: **Dec. 22, 1999**

Related U.S. Application Data

(63) Continuation of application No. 29/063,121, filed on Nov. 27, 1996, now Pat. No. Des. 411,620.

(51) **LOC (7) Cl.** **24-01**

(52) **U.S. Cl.** **D24/167**

(58) **Field of Search** D24/167, 186, D24/200; 601/41; 128/897, 898, 687; 600/454

(56) **References Cited**

U.S. PATENT DOCUMENTS

| | | | | | | |
|-----------|---|---|---------|---------------|-------|---------|
| 4,588,383 | A | * | 5/1986 | Parker et al. | | 434/265 |
| RE34,800 | E | * | 11/1994 | Hutchins | | 128/898 |
| 5,394,892 | A | * | 3/1995 | Kenny et al. | | 128/897 |
| 5,496,257 | A | * | 3/1996 | Kelly | | 601/41 |
| D382,645 | S | * | 8/1997 | Bergeron | | D24/200 |

* cited by examiner

Primary Examiner—Stella Reid

(74) *Attorney, Agent, or Firm*—Calfee, Halter & Griswold

(57) **CLAIM**

The ornamental design for a CPR prompt device, substantially as shown.

DESCRIPTION

FIG. 1 is a top plan view of a CPR prompt device, showing our new design.

FIG. 2 is a top plan view of a second embodiment of the CPR prompt of FIG. 1;

FIG. 3 is a bottom plan view of FIG. 1 and 2;

FIG. 4 is a side elevational view of the first embodiment, as shown in FIG. 1;

FIG. 5 is a side elevational view of both the first and second embodiments, as shown in FIG. 1 and FIG. 2, and opposite that shown in FIG. 4;

FIG. 6 is a side elevational view of the second embodiment, as shown in FIG. 2, and opposite that shown in FIG. 5;

FIG. 7 is a front end view of FIGS. 1 and 2;

FIG. 8 is a rear end view of FIGS. 1 and 2;

FIG. 9 is a top plan view of a base plate for attachment to the CPR prompt device shown in FIGS. 1 and 2;

FIG. 10 is a bottom view of the base plate;

FIG. 11 is a side elevational view of the base plate;

FIG. 12 is a side elevational view of the base plate, opposite that shown in FIG. 11;

FIG. 13 is a front end view of the base plate;

FIG. 14 is a rear end view of the base plate;

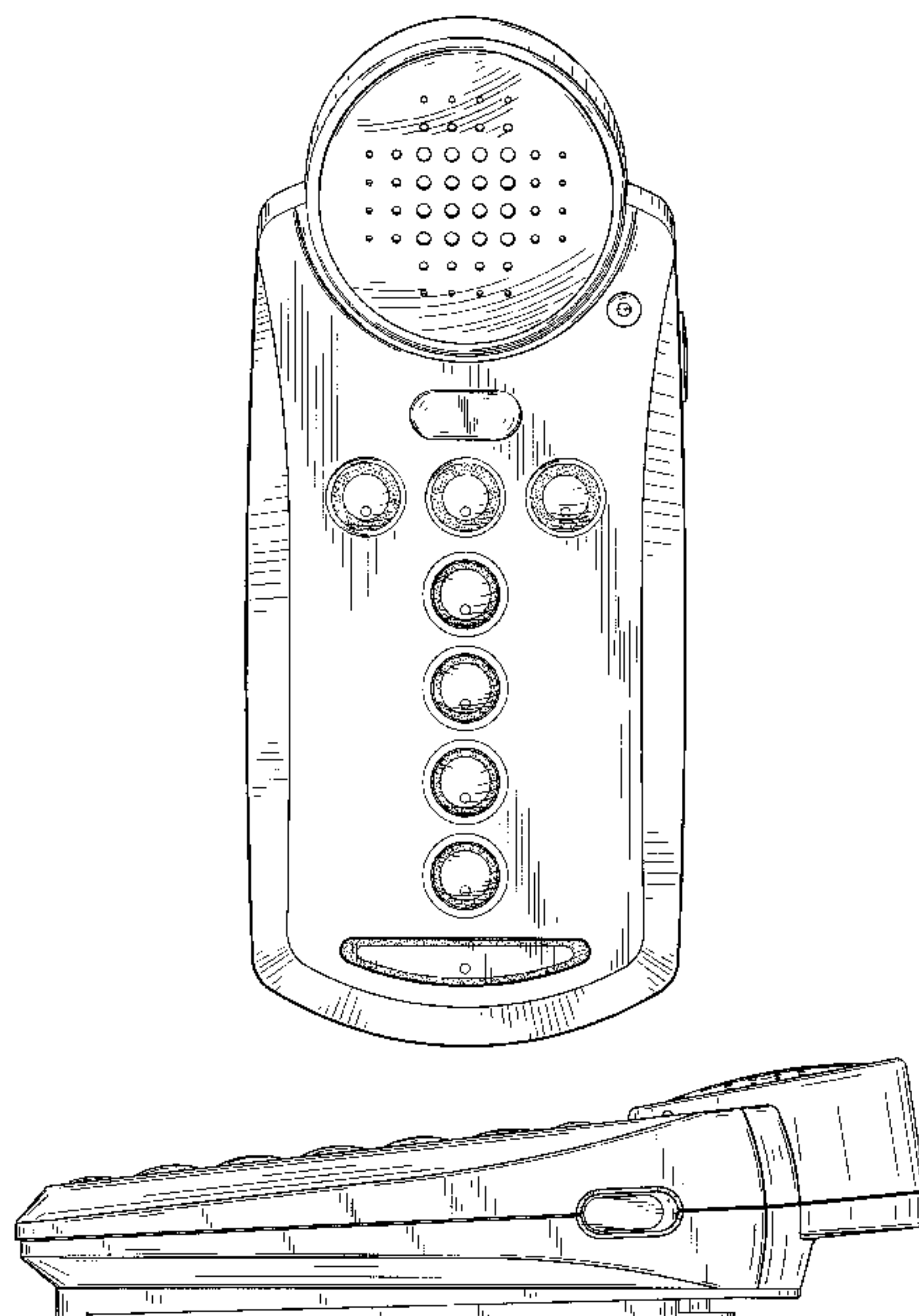
FIG. 15 is a front end view of the CPR prompt device of FIG. 1 attached to the base plate;

FIG. 16 is a rear end view of FIG. 15 ;

FIG. 17 is a side elevational view of FIG. 15 ; and,

FIG. 18 is a side elevational view thereof, opposite that shown in FIG. 17.

1 Claim, 9 Drawing Sheets



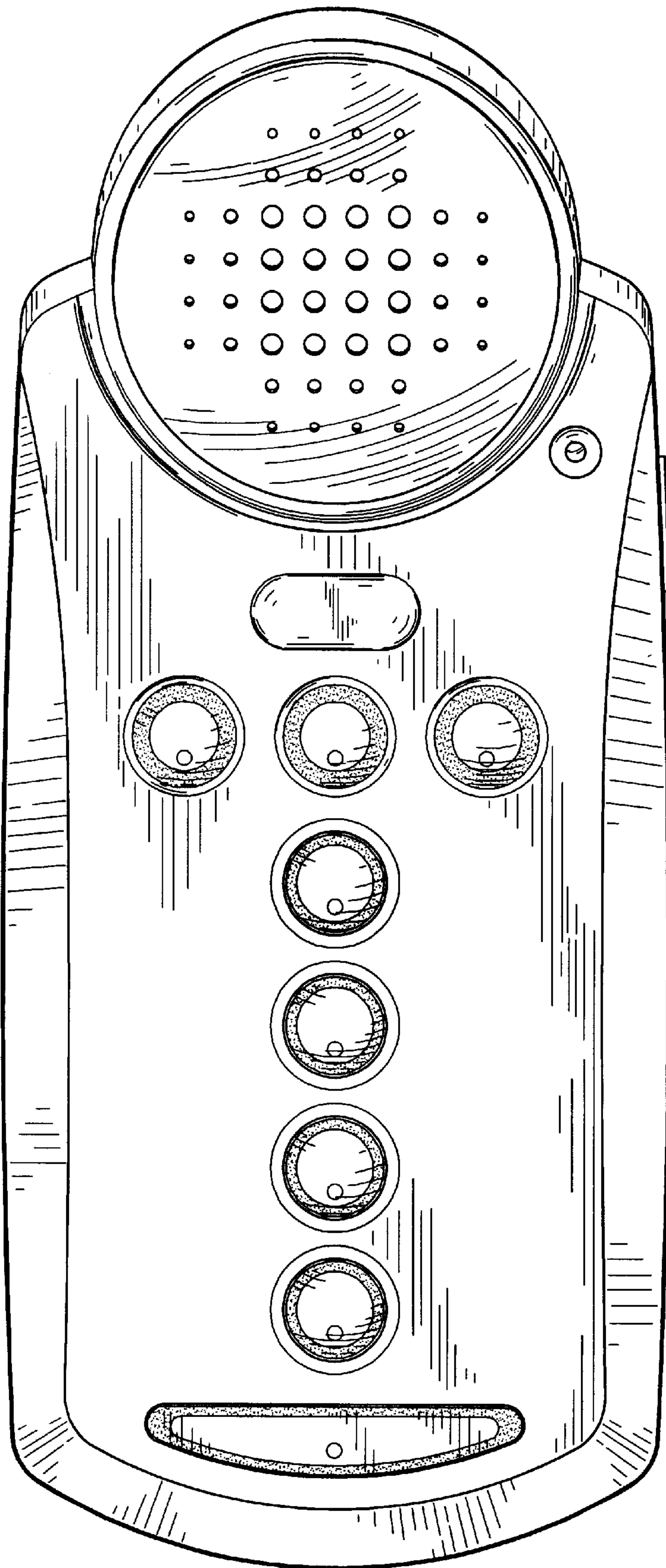


Fig.1

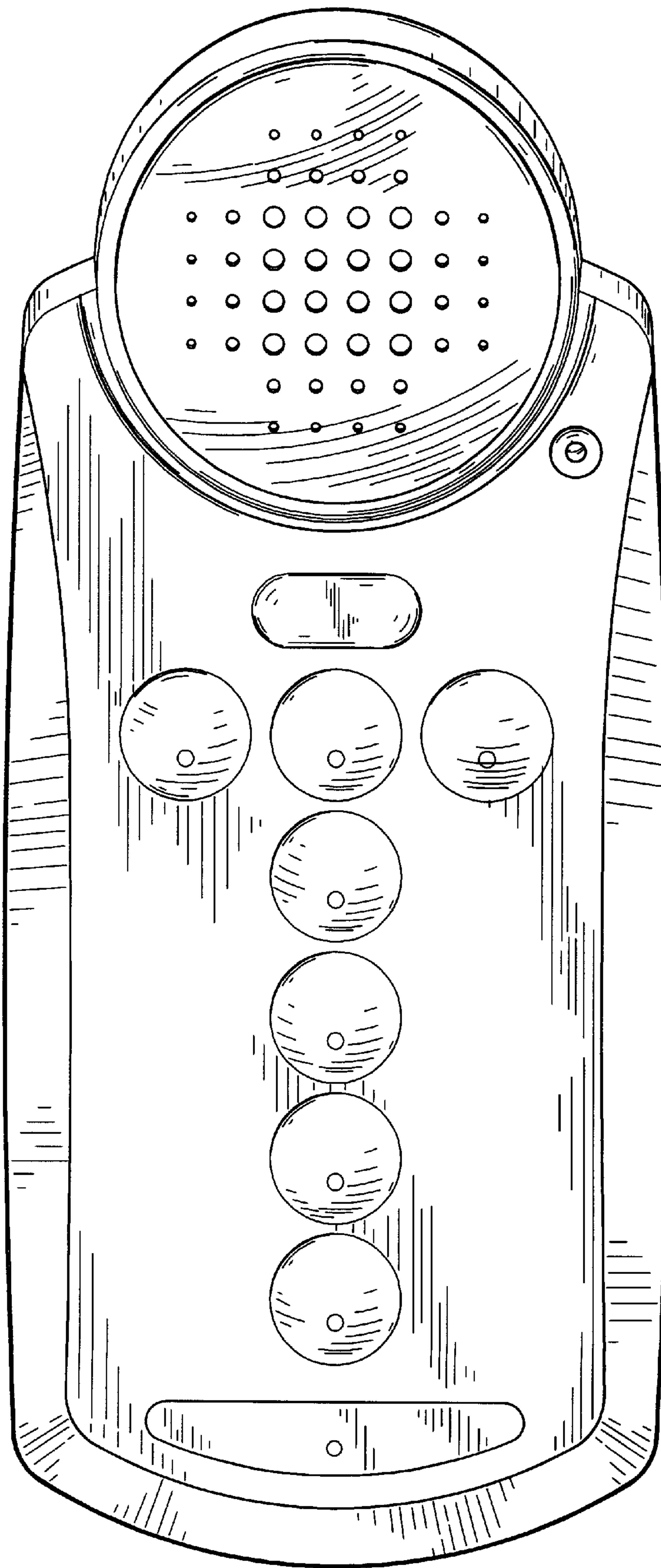


Fig.2

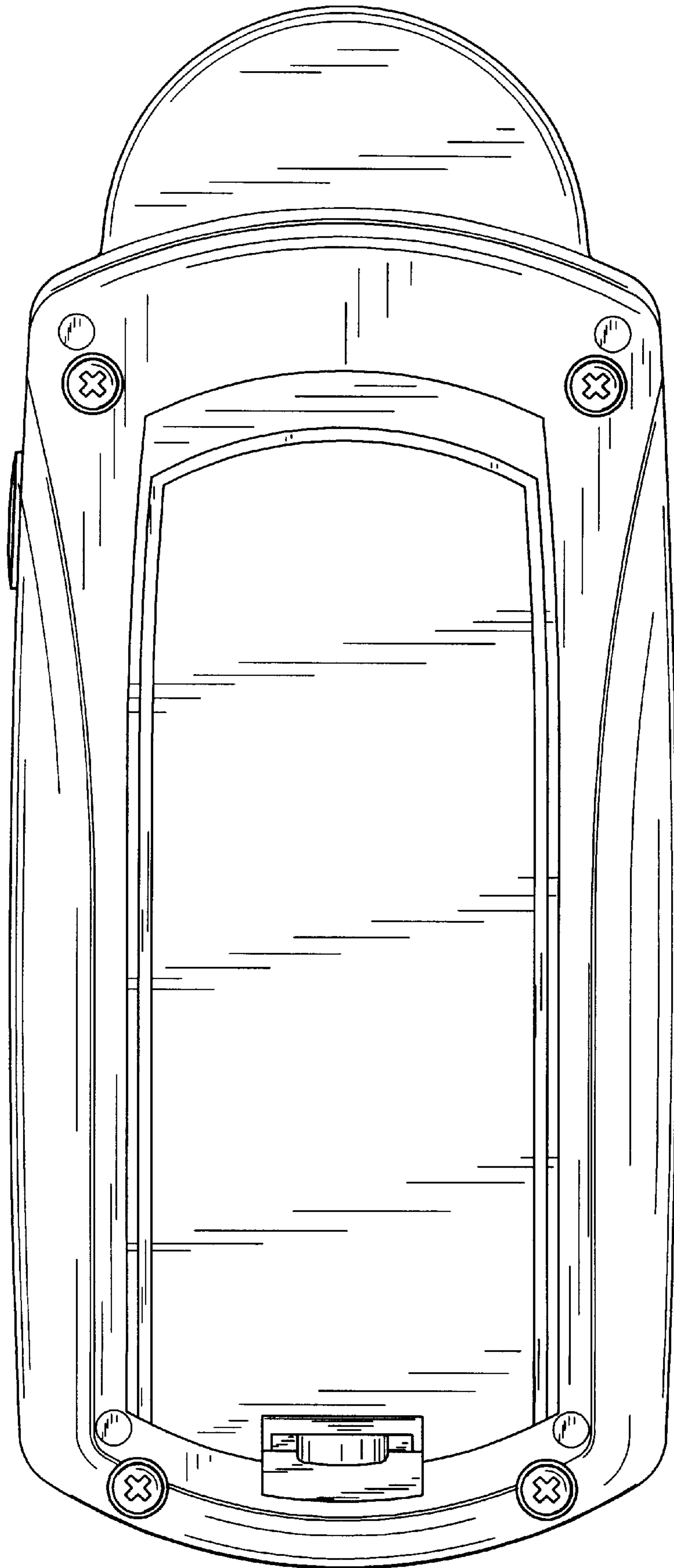


Fig.3

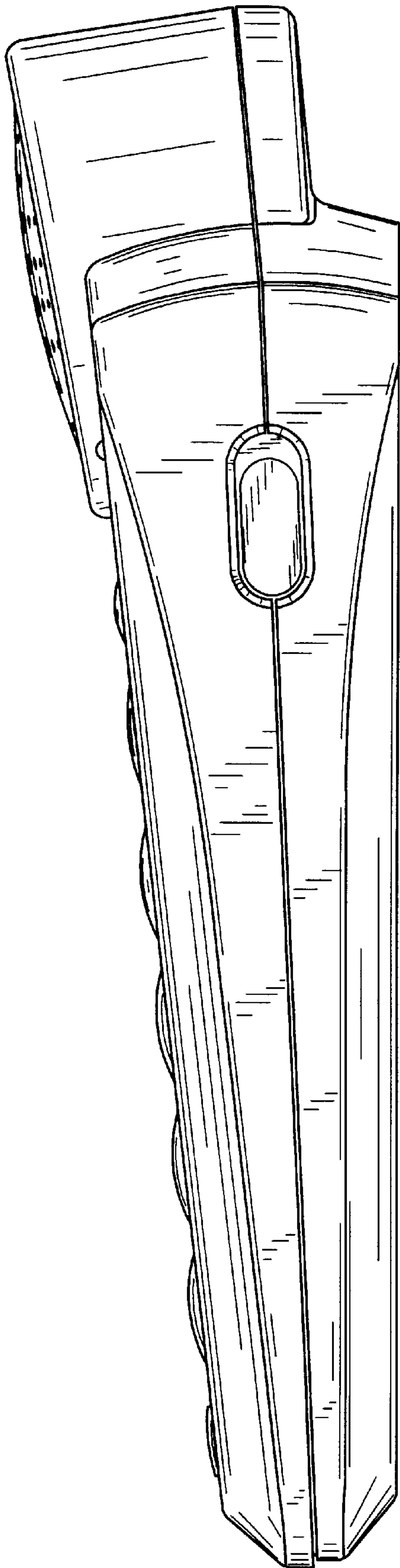


Fig.4



Fig.5



Fig.6

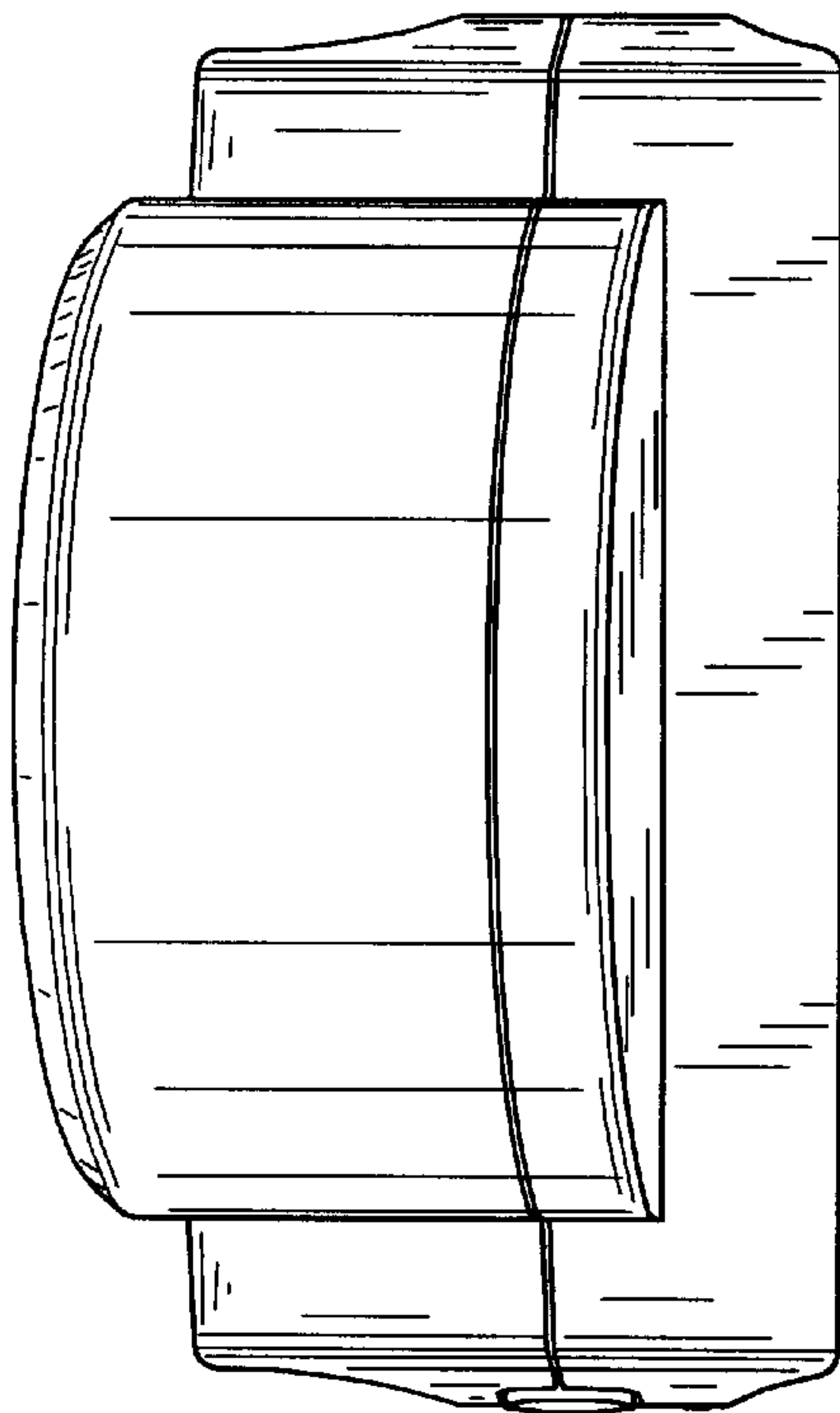


Fig.7

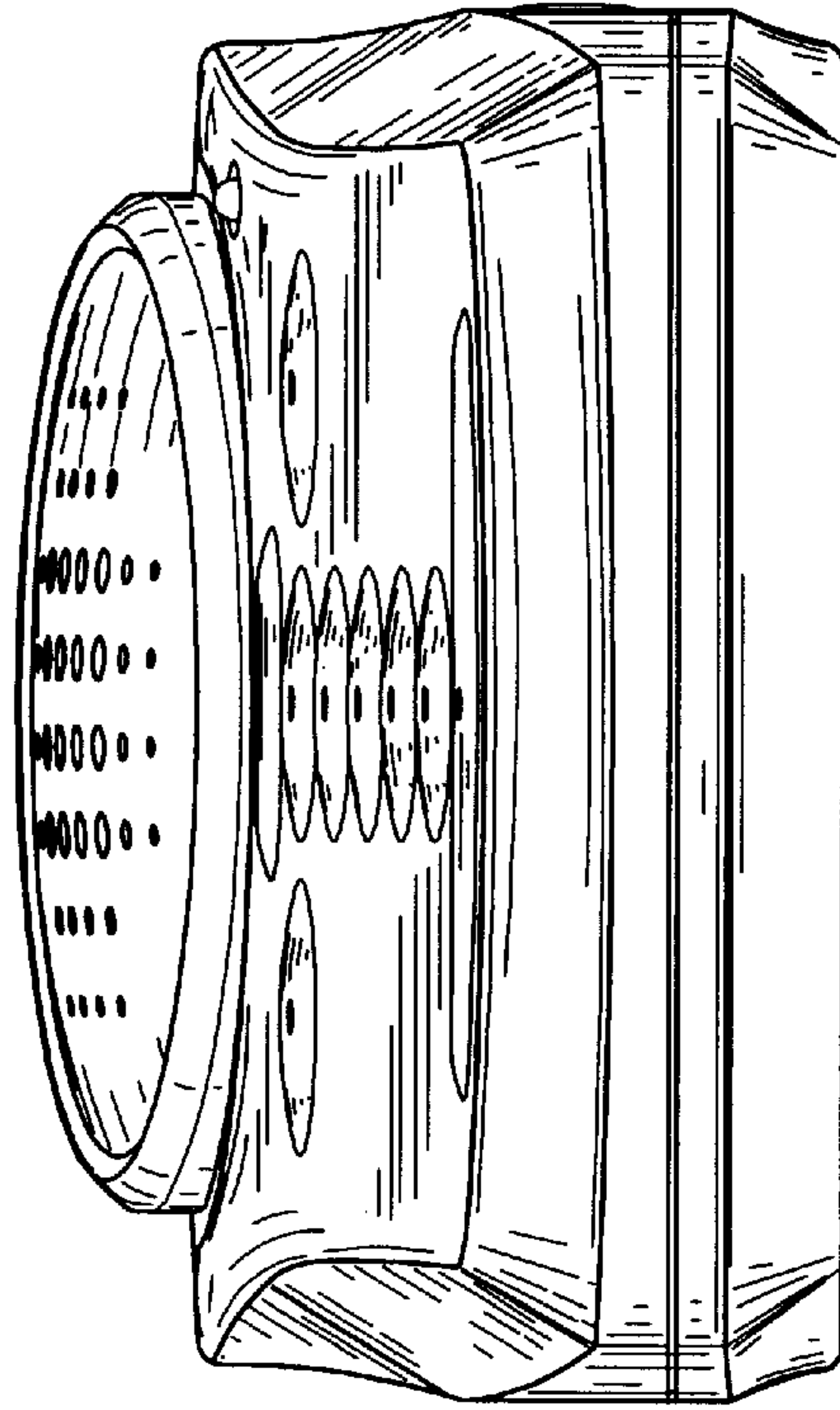


Fig.8

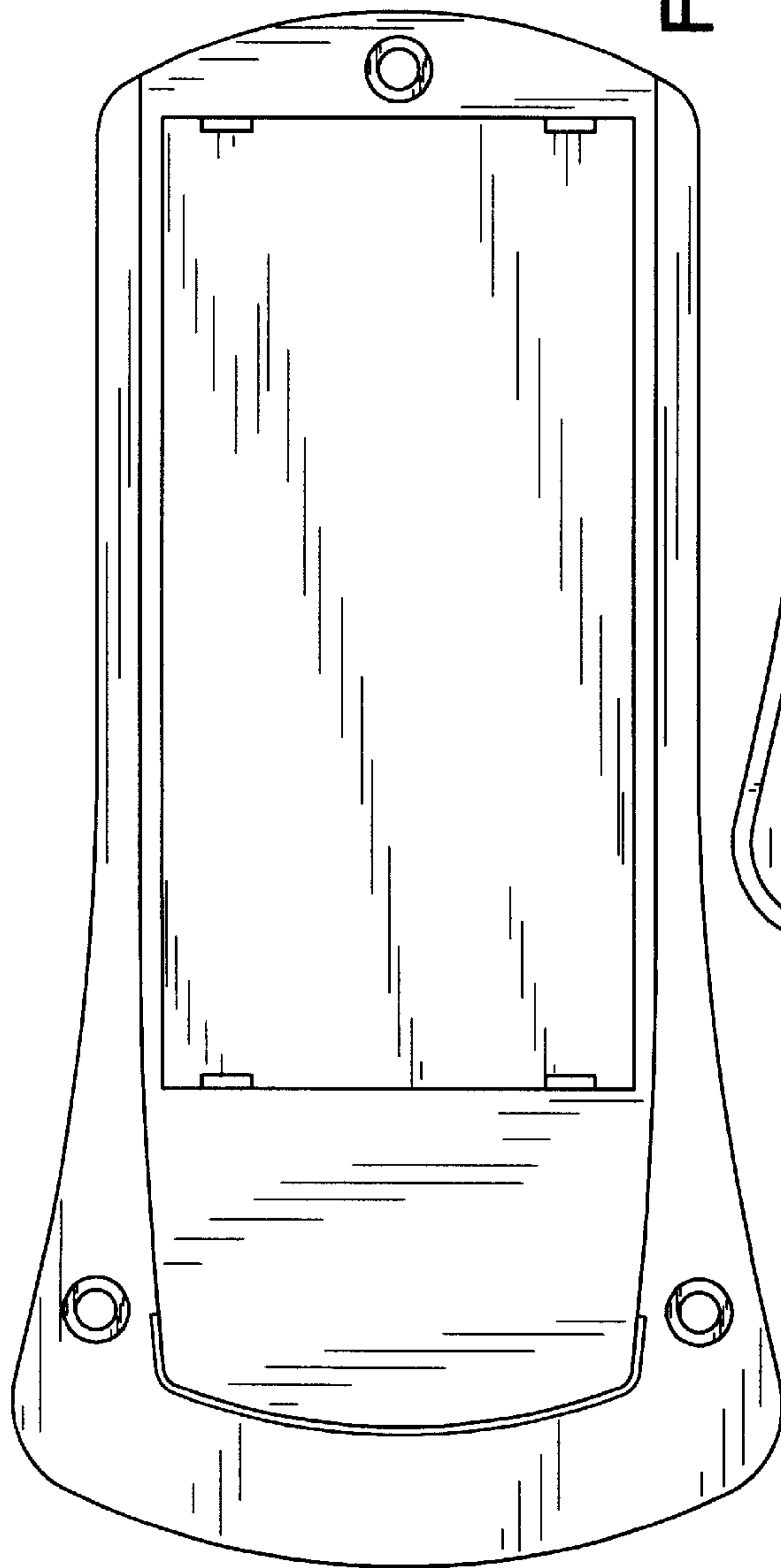


Fig.9

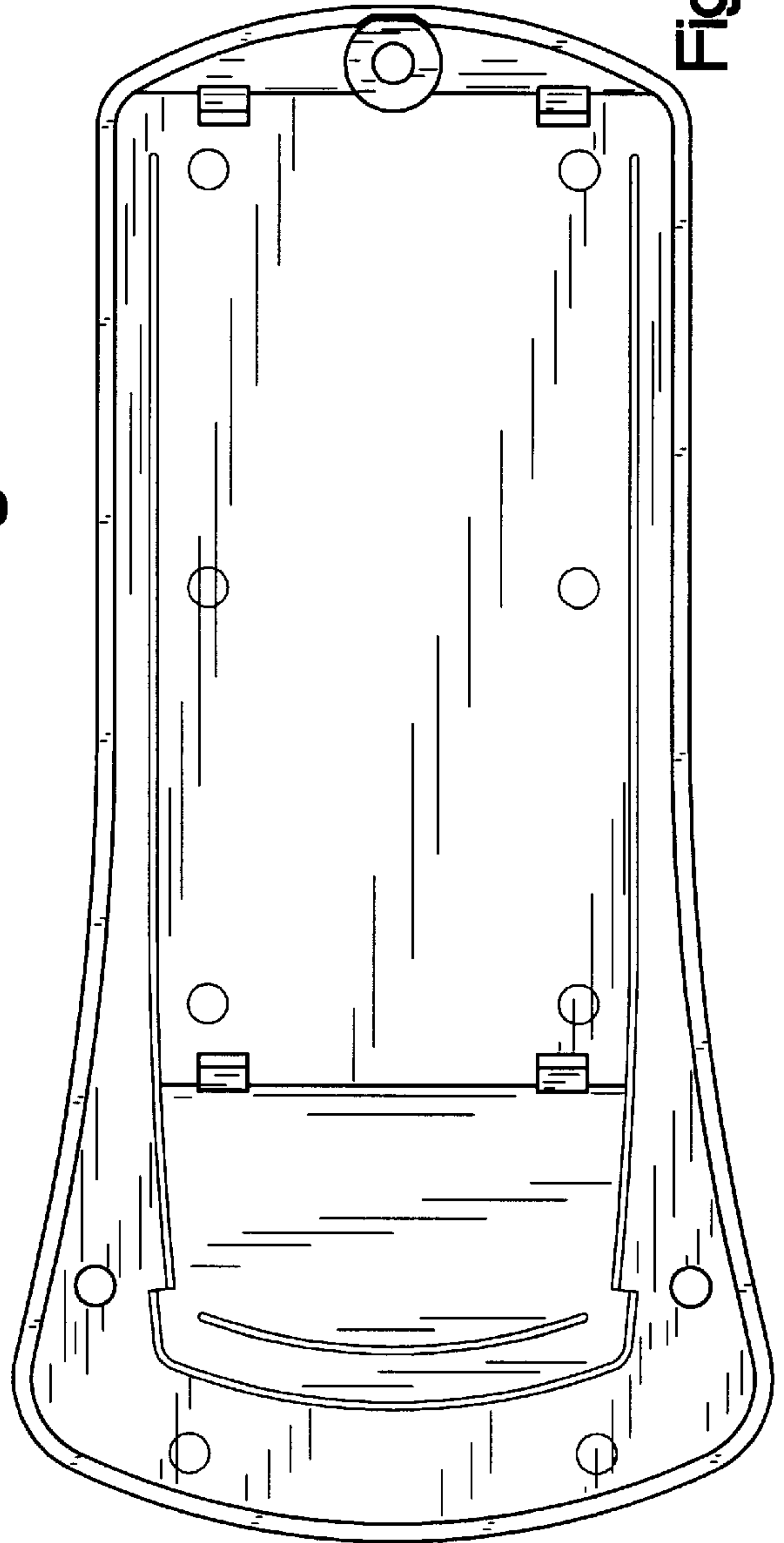


Fig.10

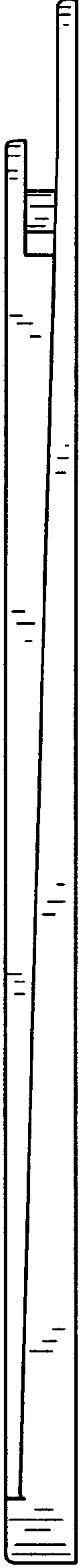


Fig.11



Fig.12



Fig.13

Fig.14

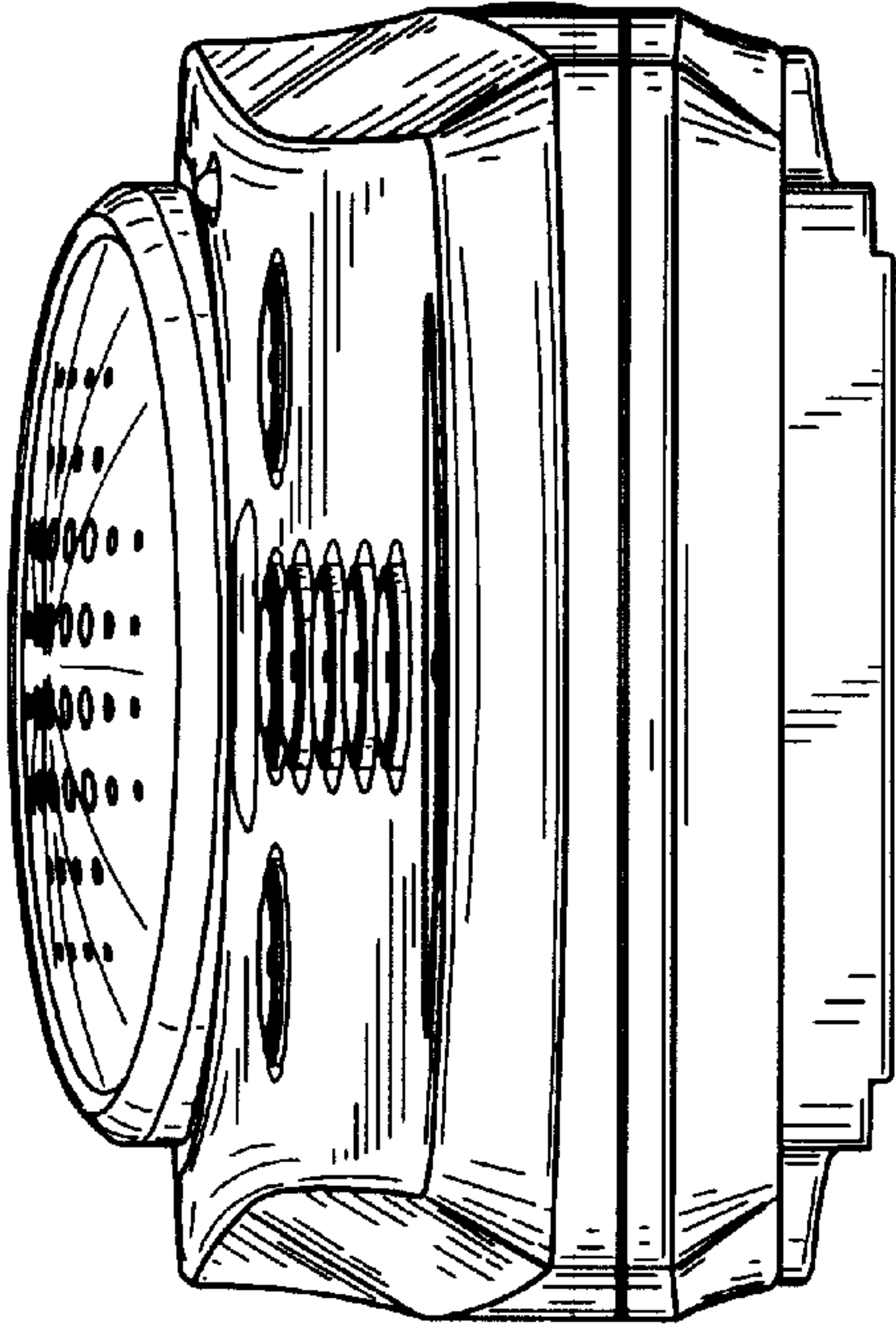


Fig.16

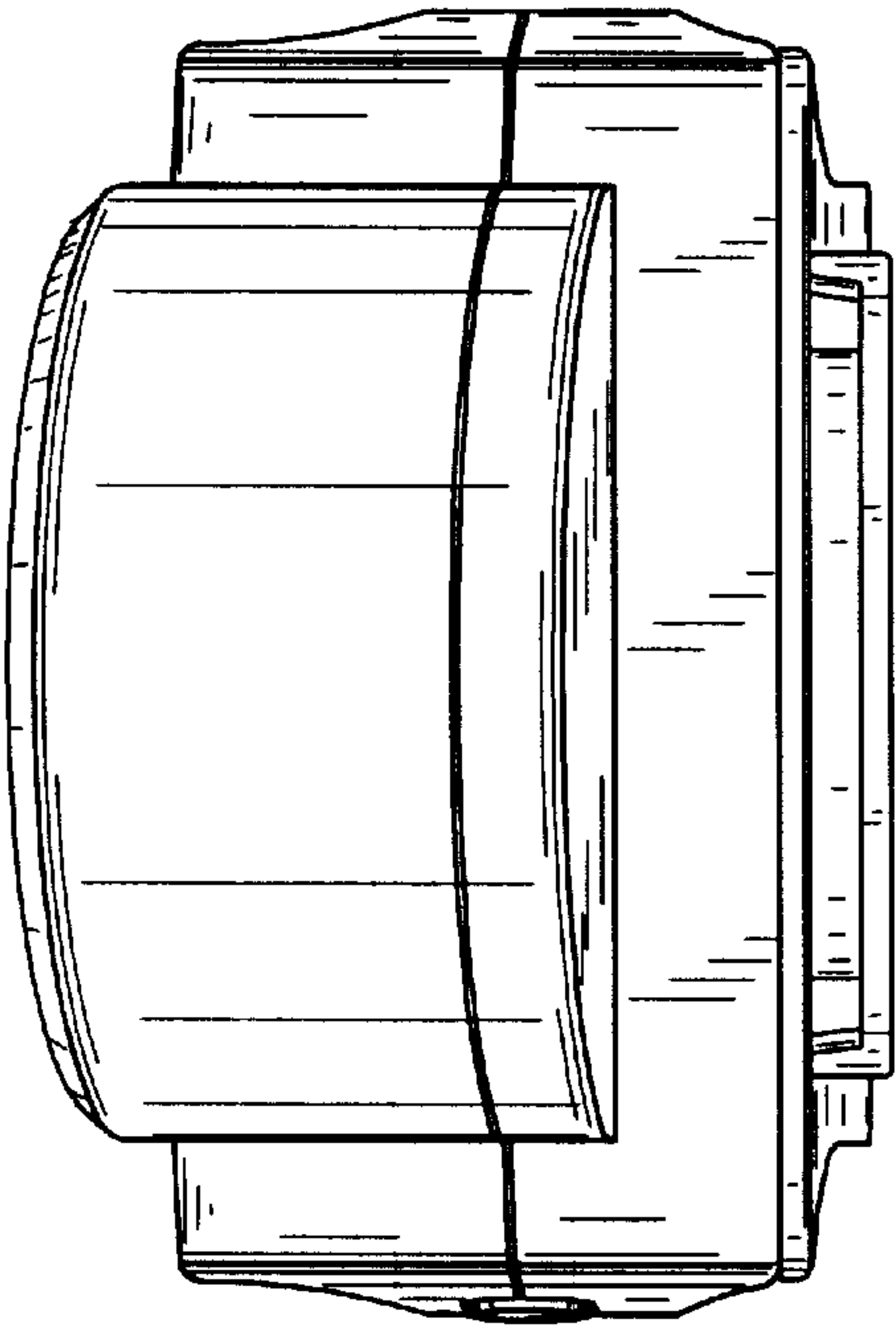


Fig.15

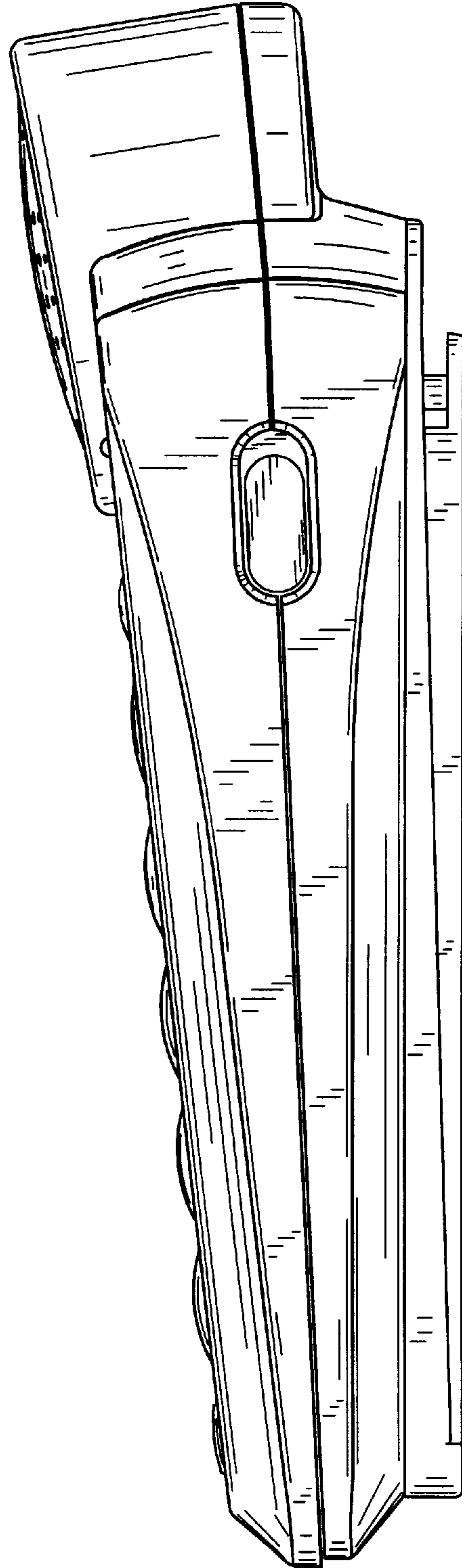


Fig.17

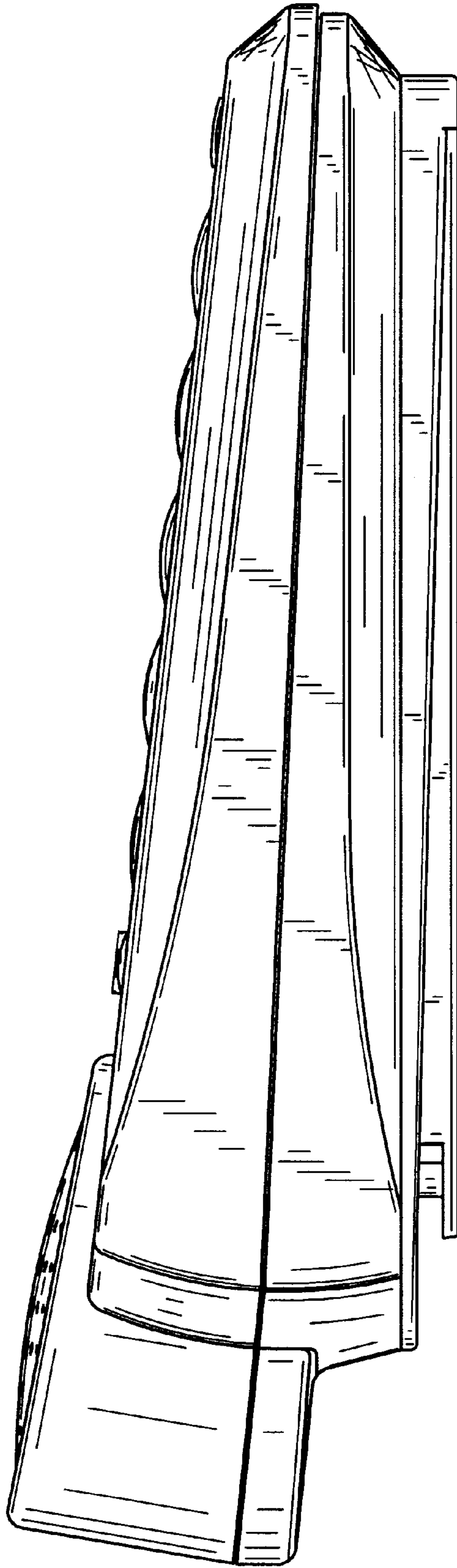


Fig.18