



US00D466212S

(12) **United States Design Patent**  
**Koros et al.**

(10) **Patent No.:** **US D466,212 S**

(45) **Date of Patent:** **\*\* Nov. 26, 2002**

(54) **SWIFT CLAMP BAR**

(76) Inventors: **Tibor B. Koros**, 610 Flinn Ave.,  
Moorpark, CA (US) 93021; **Gabriel J.  
Koros**, 610 Flinn Ave., Moorpark, CA  
(US) 93021

(\*\*) Term: **14 Years**

(21) Appl. No.: **29/142,017**

(22) Filed: **May 18, 2001**

(51) **LOC (7) Cl.** ..... **24-02**

(52) **U.S. Cl.** ..... **D24/135; D8/72**

(58) **Field of Search** ..... D8/71-74, 356,  
D8/394, 396; D24/128, 135; 600/201, 230,  
234; 248/516, 541; 24/16 R, 273, 133,  
134 R; 81/487, 90.1, 90.2, 90.3, 420

(56) **References Cited**

**U.S. PATENT DOCUMENTS**

352,724 A \* 11/1886 Wells ..... 81/487  
542,012 A \* 7/1895 Dunham ..... 81/179

869,527 A \* 10/1907 Shears ..... 81/420  
5,020,195 A \* 6/1991 LeVahn ..... 600/234  
5,888,197 A \* 3/1999 Mulac et al. .... 600/234  
5,984,865 A \* 11/1999 Farley et al. .... 600/213

\* cited by examiner

*Primary Examiner*—Louis S. Zarfes

*Assistant Examiner*—Deanne Levy

(57) **CLAIM**

The ornamental design for a swift clamp bar, substantially as shown and described.

**DESCRIPTION**

FIG. 1 is a perspective view of a swift clamp bar invention, showing our new design.

FIG. 2 is a front view thereof.

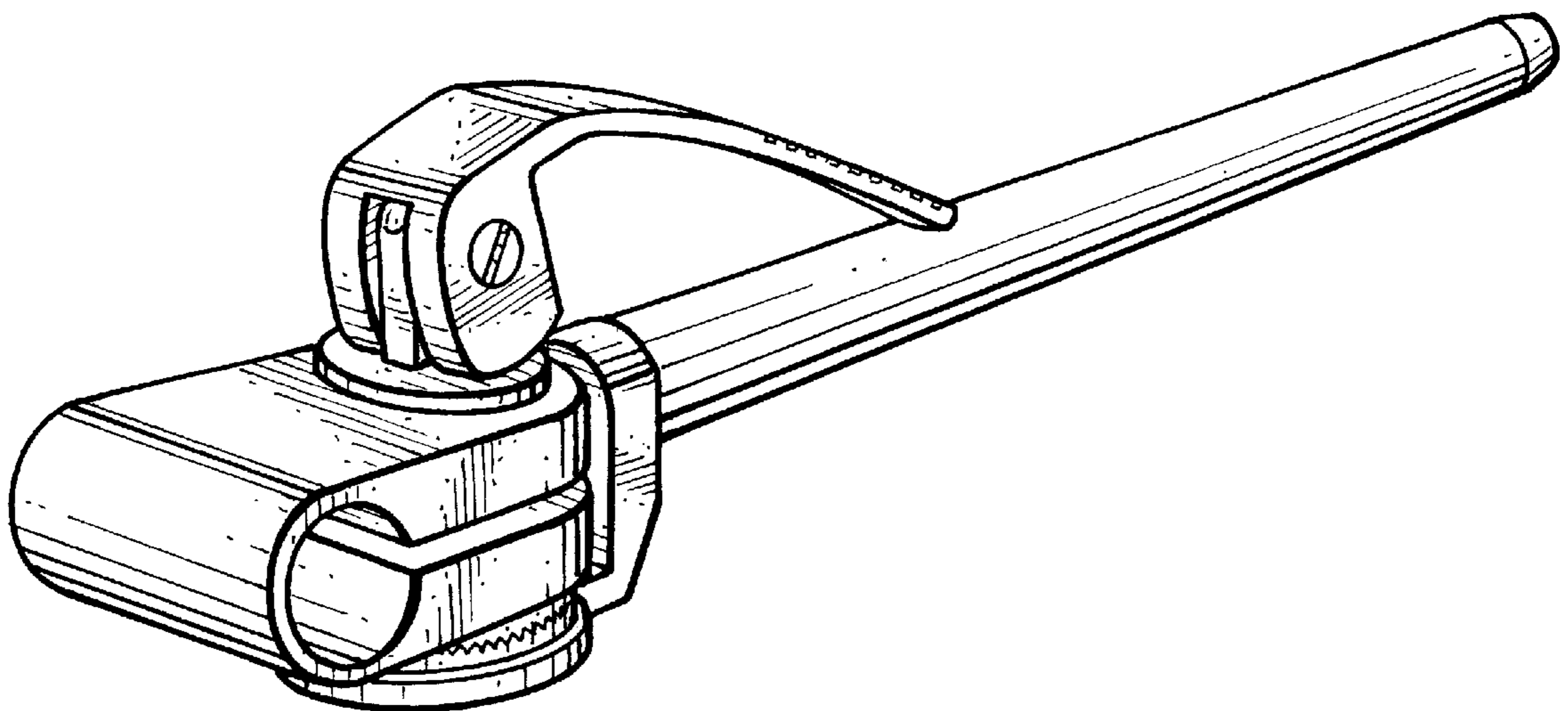
FIG. 3 is a rear view thereof.

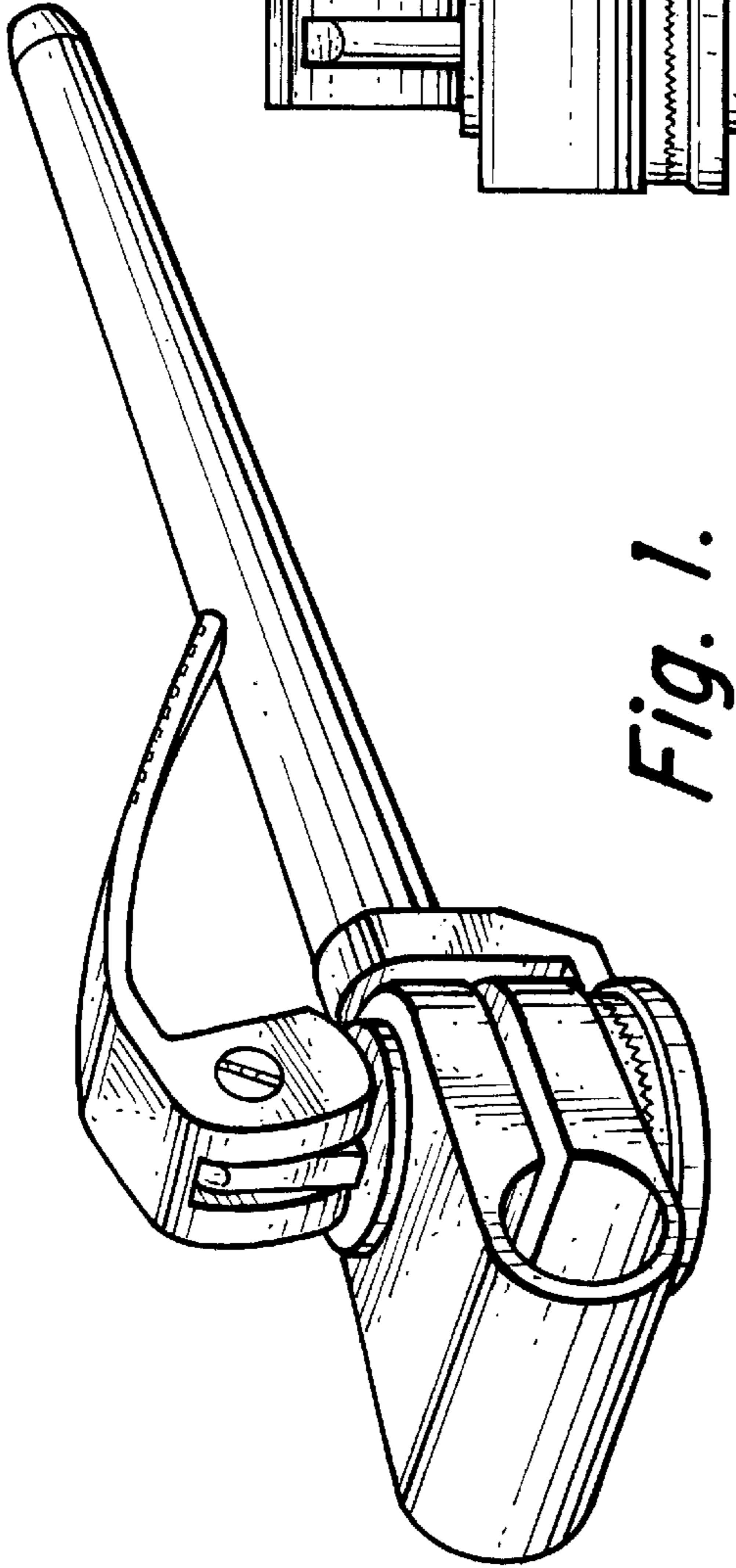
FIG. 4 is a right side view thereof.

FIG. 5 is a top plan view thereof; and,

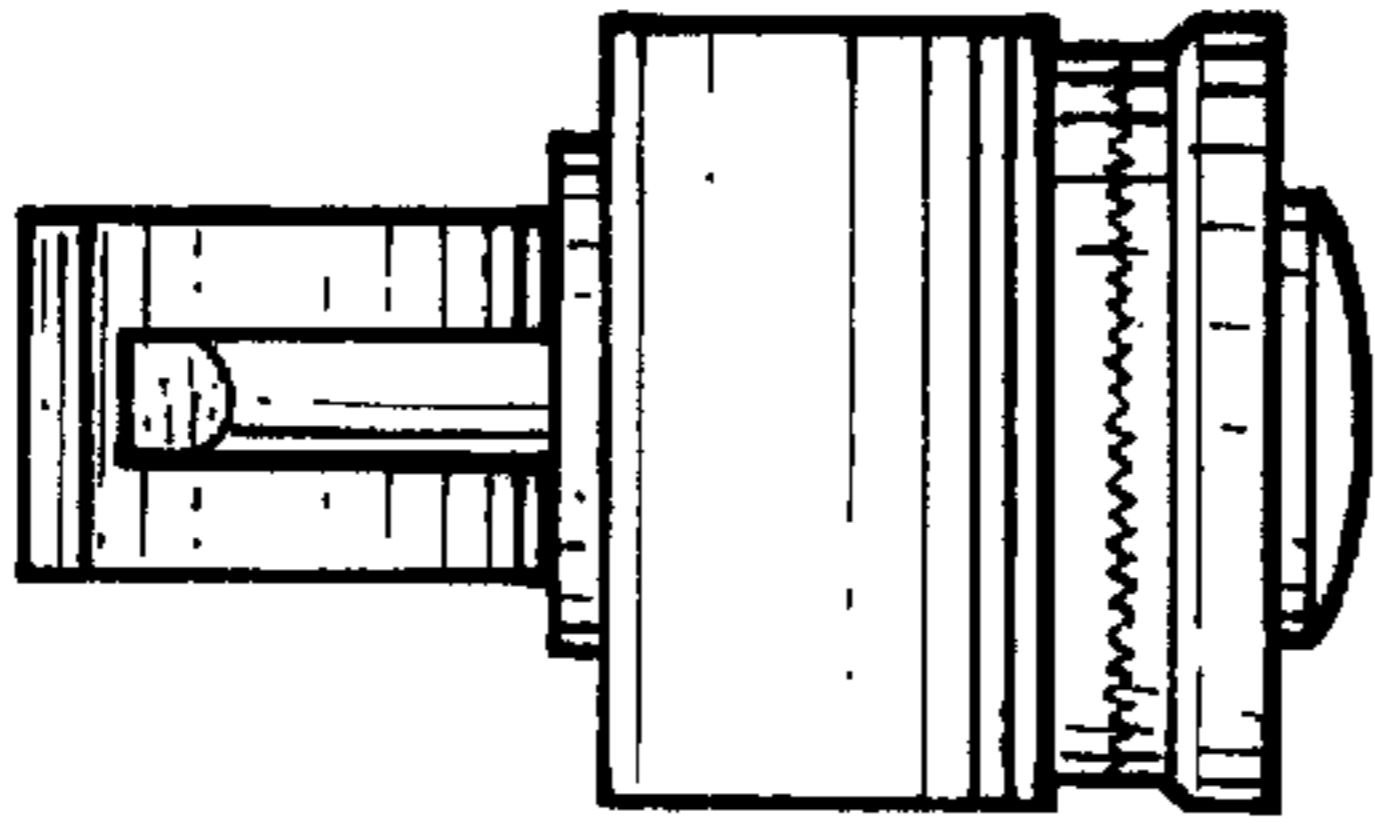
FIG. 6 is a bottom plan view thereof.

**1 Claim, 2 Drawing Sheets**

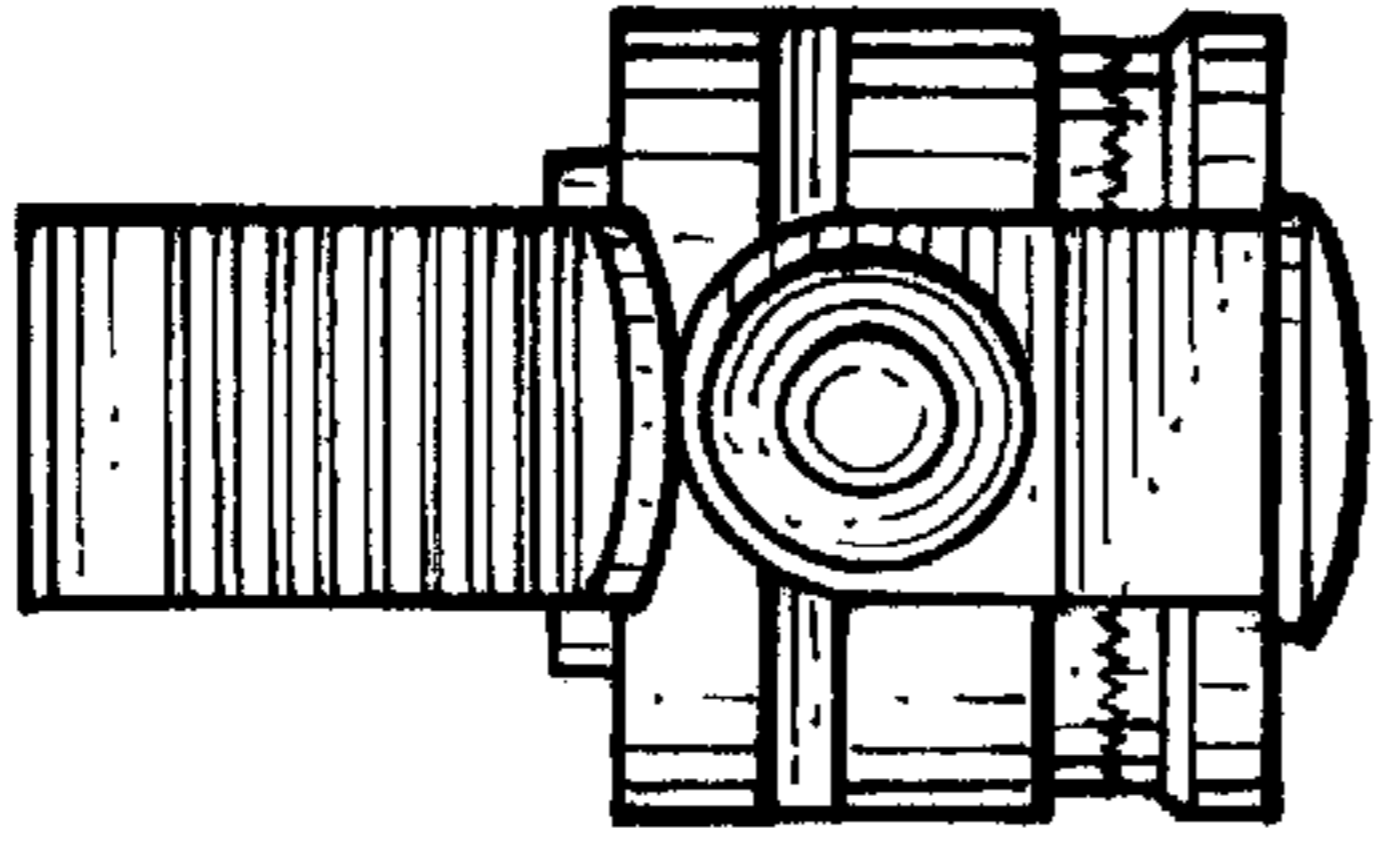




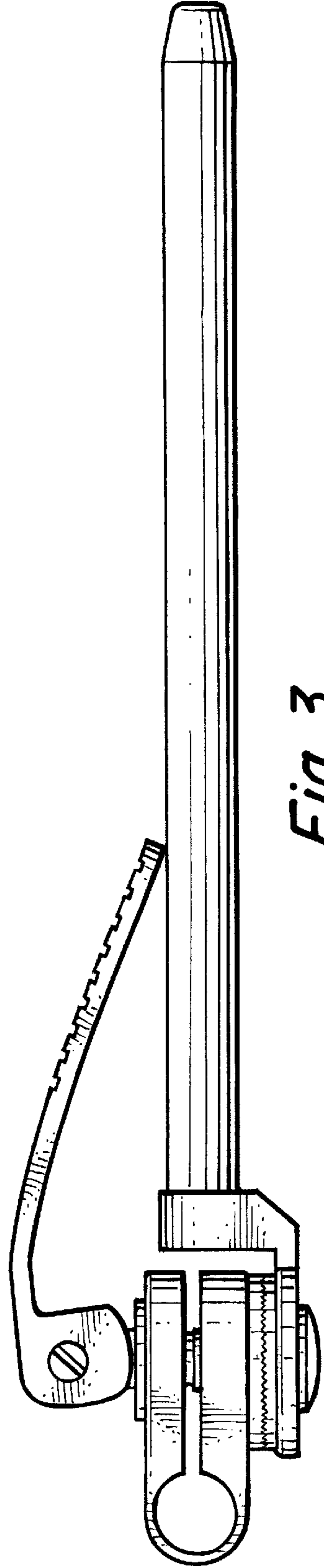
*Fig. 1.*



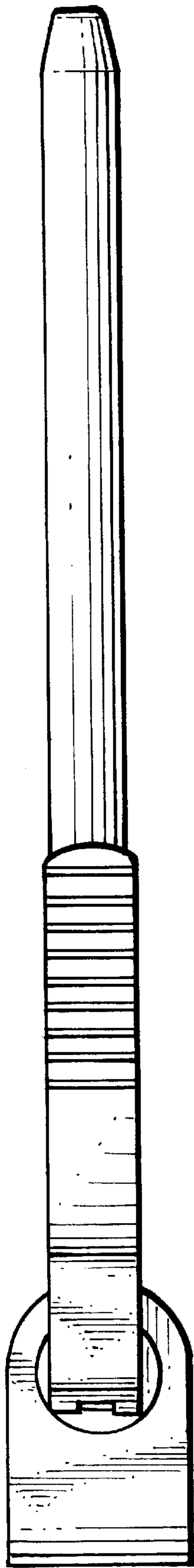
*Fig. 2.*



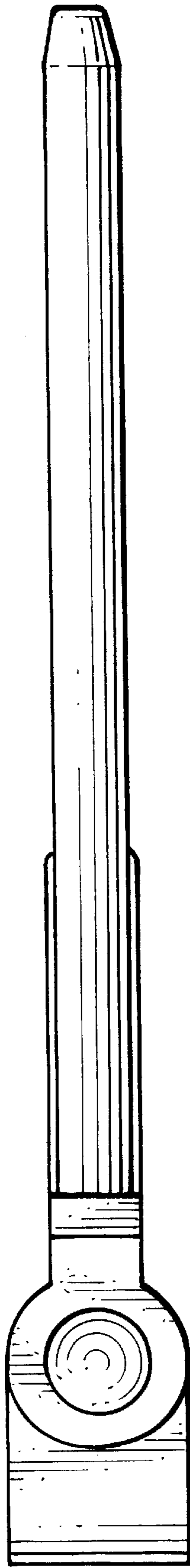
*Fig. 4.*



*Fig. 3.*



*Fig. 5.*



*Fig. 6.*