



US00D466210S

(12) **United States Design Patent**
Levinson

(10) **Patent No.:** **US D466,210 S**

(45) **Date of Patent:** **** Nov. 26, 2002**

(54) **URINE COLLECTION DEVICE**

D457,237 S * 5/2002 Azo D24/122

(76) Inventor: **Orde Levinson**, Caudwell's Castle,
Folly Bridge, Oxford OX1 4LB (GB)

(**) Term: **14 Years**

(21) Appl. No.: **29/148,510**

(22) Filed: **Sep. 21, 2001**

(30) **Foreign Application Priority Data**

Mar. 26, 2001 (GB) 2100623

(51) **LOC (7) Cl.** **24-04**

(52) **U.S. Cl.** **D24/122**

(58) **Field of Search** D24/122; 4/144.1,
4/144.2, 144.3, 144.4, 114.1; 604/329, 347,
331; D7/697, 700

(56) **References Cited**

U.S. PATENT DOCUMENTS

- 3,485,233 A * 12/1969 Cord 4/144.3
- 3,750,647 A 8/1973 Gleason et al.
- 4,494,581 A 1/1985 Gordon
- 4,815,151 A 3/1989 Ball
- D356,865 S * 3/1995 Ivie D24/122
- 5,894,608 A * 4/1999 Birbara 4/144.3
- 6,021,531 A * 2/2000 Kirko 4/144.1

FOREIGN PATENT DOCUMENTS

- EP 0 464 575 A1 1/1992
- FR 2 590 160 5/1987
- GB 2 107 190 A 4/1983
- GB 2 247 626 A 3/1992
- WO WO 90/13280 11/1990
- WO WO 98/43563 10/1998

* cited by examiner

Primary Examiner—Ian Simmons

(74) *Attorney, Agent, or Firm*—Lawrence E. Laubscher, Jr.

(57) **CLAIM**

The ornamental design for a urine collection device, as shown and described.

DESCRIPTION

FIG. 1 is a rear left side perspective view of the invention illustrating my design;

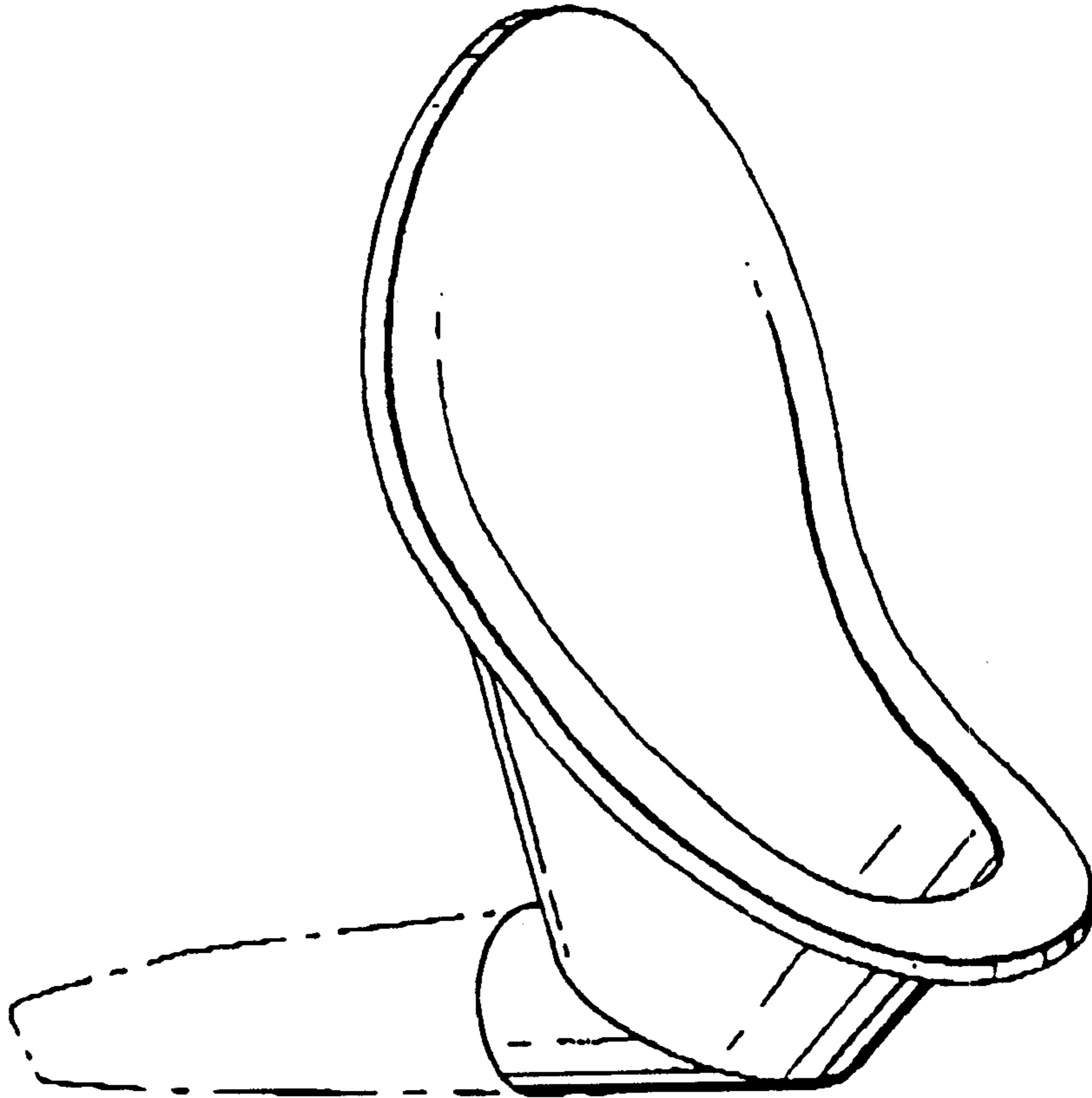
FIG. 2 is a left side elevation view thereof;

FIG. 3 is a top elevation view thereof; and,

FIG. 4 is a front right side perspective view thereof.

The broken line showing is for illustrative purposes only and forms no part of the claimed design.

1 Claim, 3 Drawing Sheets



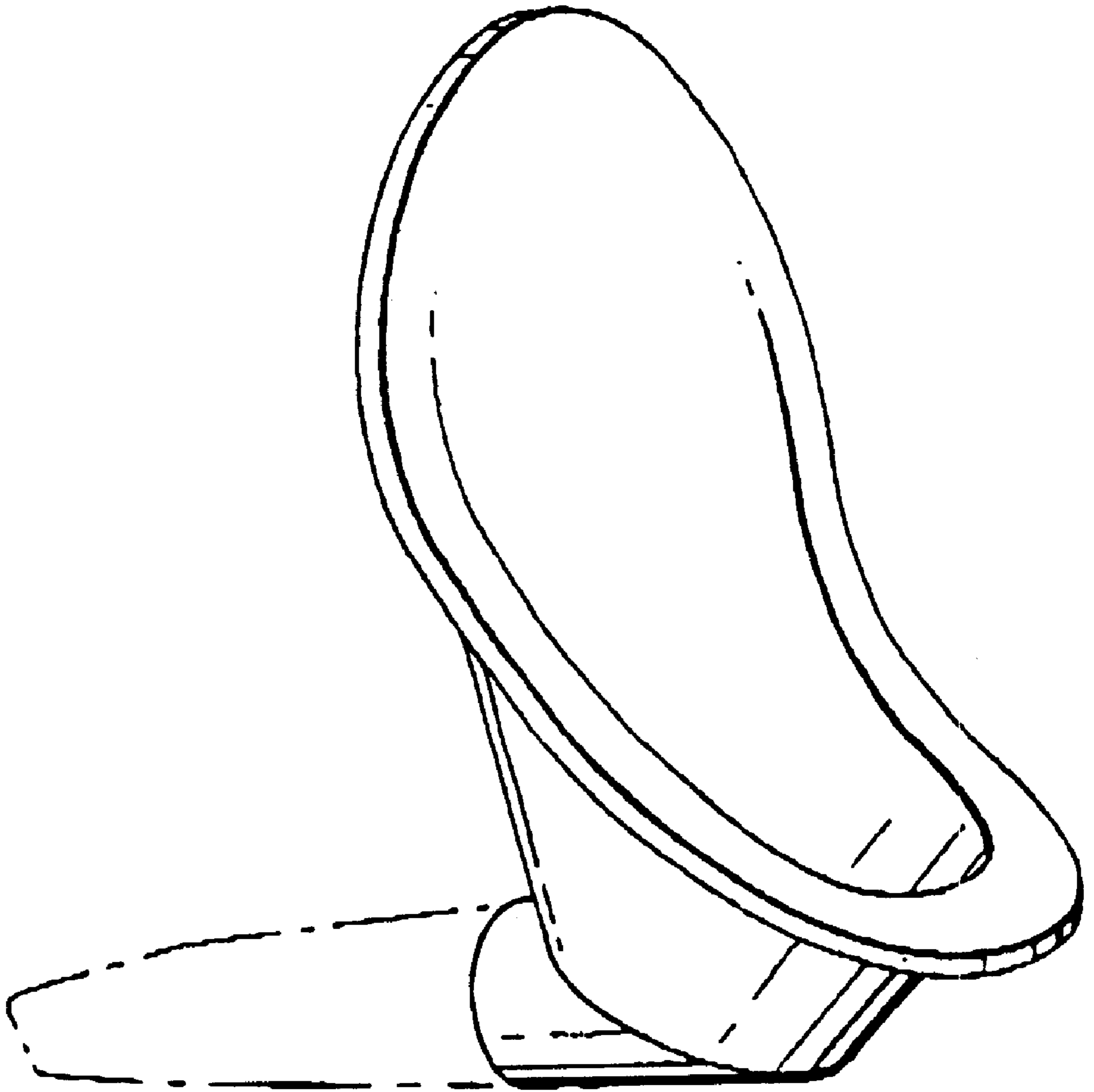


FIG. 1

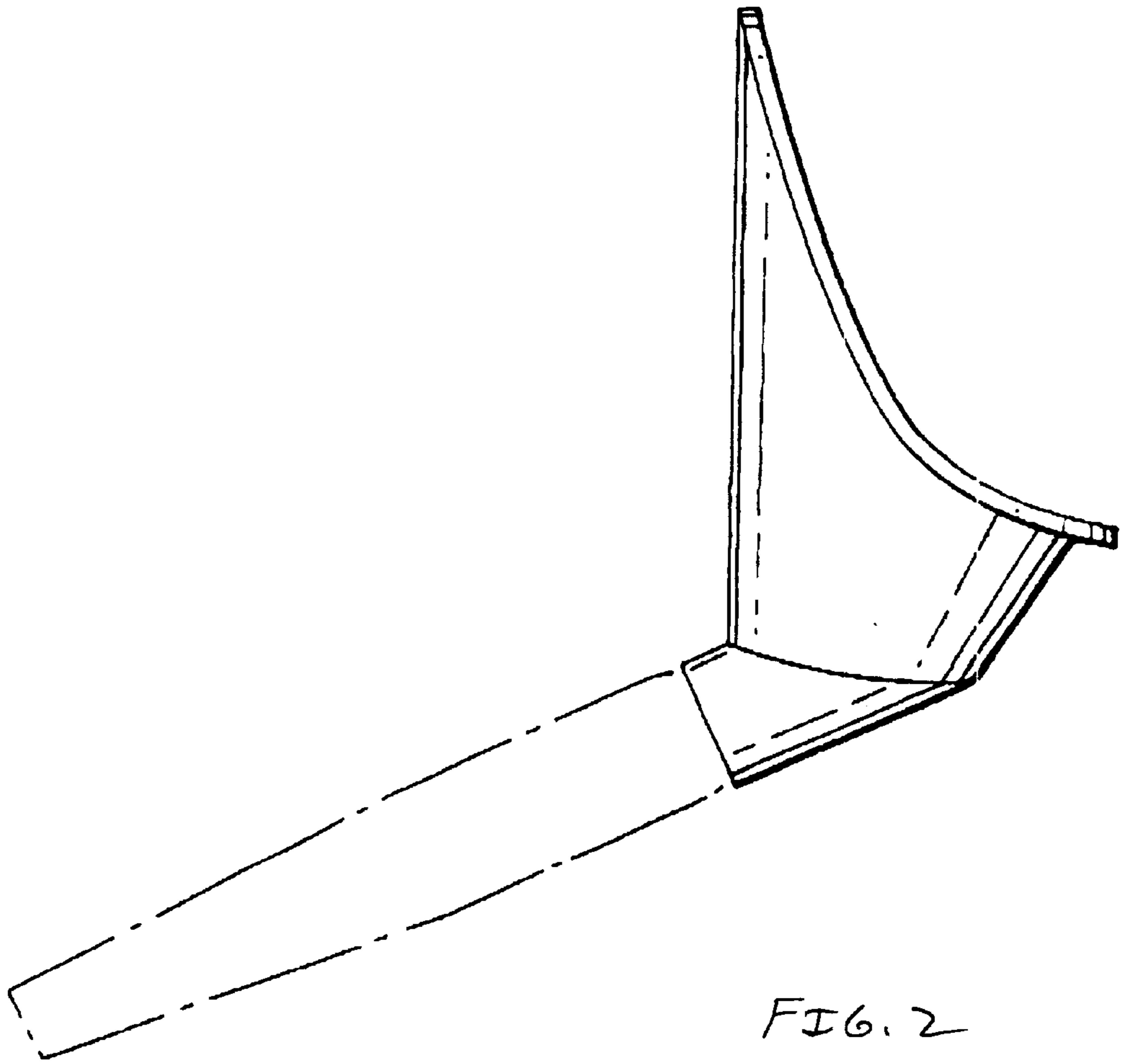


FIG. 2

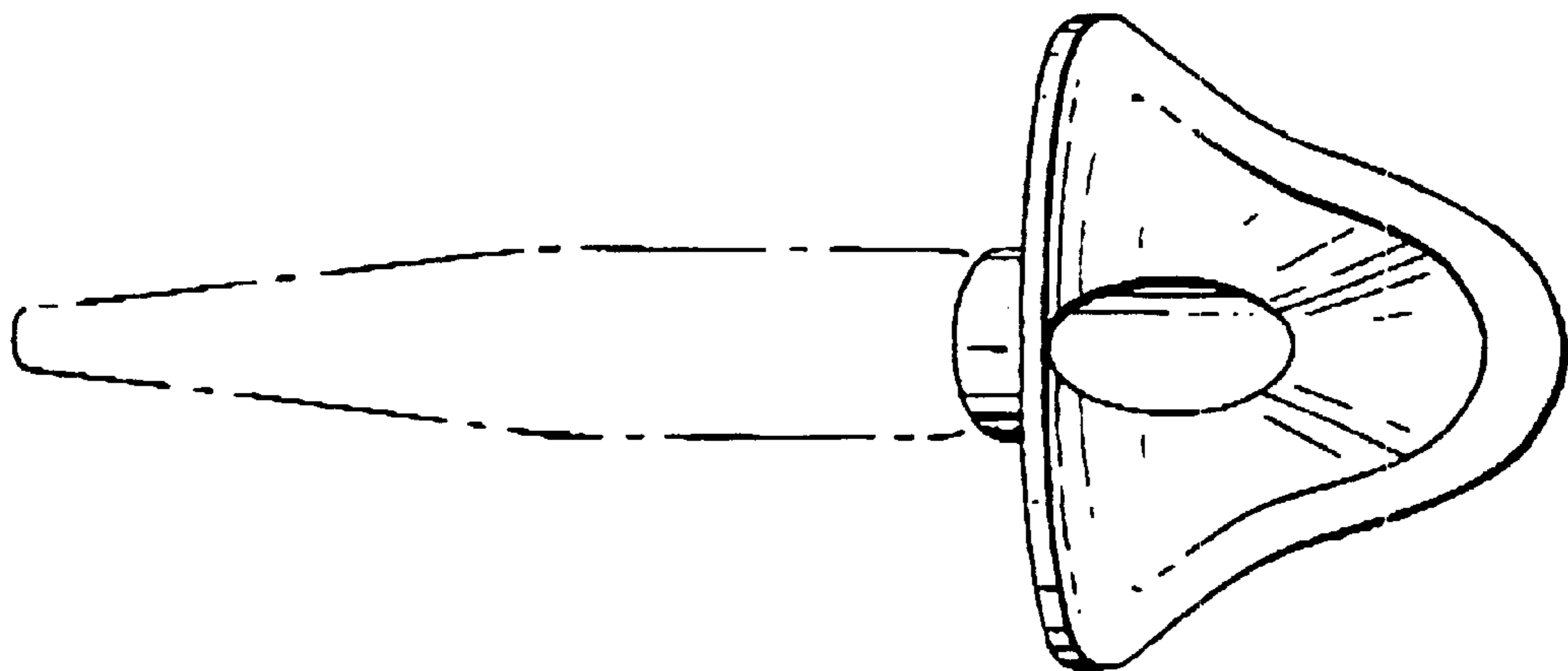


FIG. 3

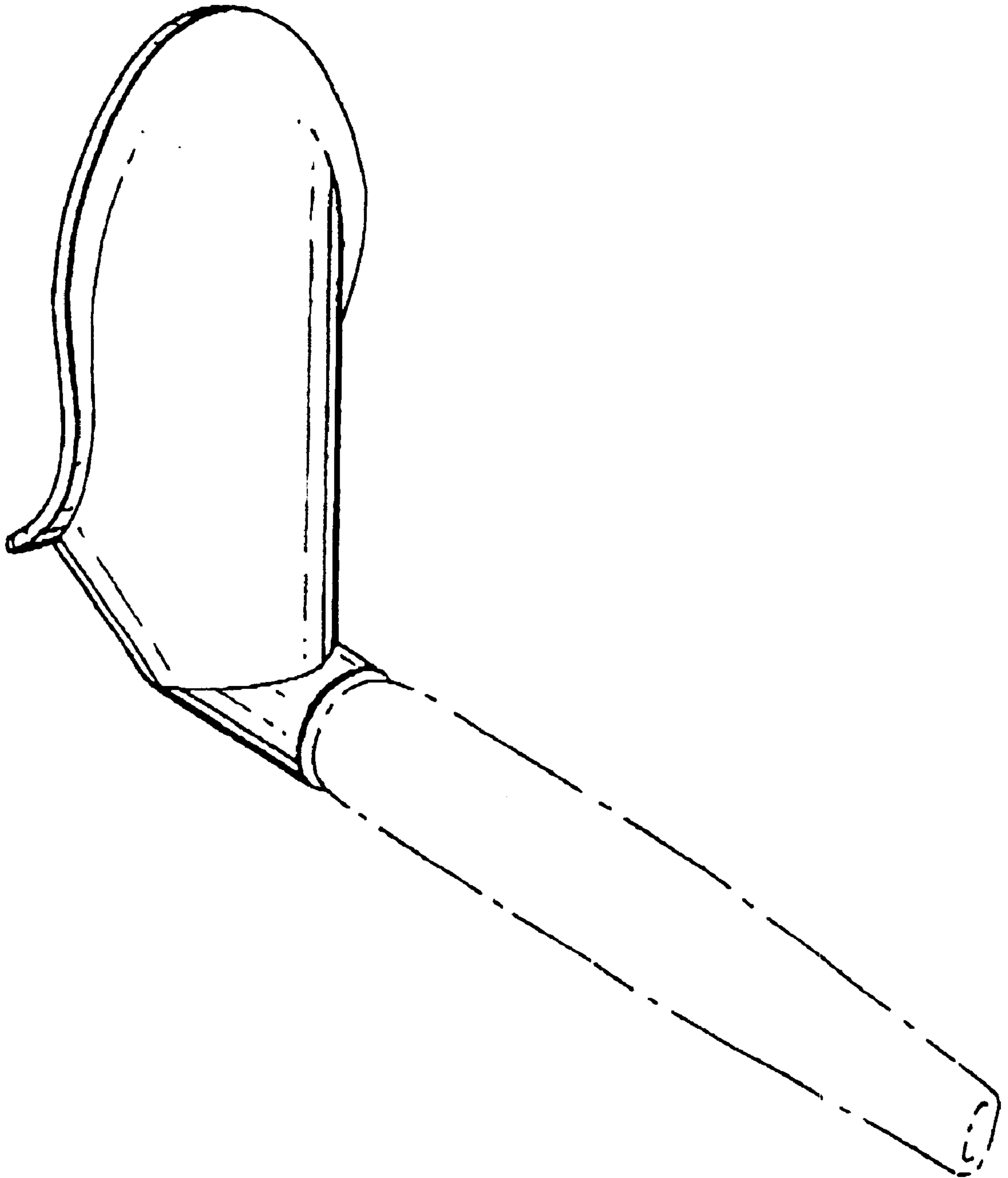


FIG. 4