



US00D466209S

(12) **United States Design Patent**
Bon

(10) **Patent No.:** **US D466,209 S**

(45) **Date of Patent:** **** Nov. 26, 2002**

(54) **STEERABLE CATHETER**

- (75) Inventor: **Edwin Bon**, Canton, GA (US)
- (73) Assignee: **Visionary Biomedical, Inc.**, Roswell, GA (US)
- (**) Term: **14 Years**
- (21) Appl. No.: **29/151,288**
- (22) Filed: **Dec. 4, 2001**

Related U.S. Application Data

- (63) Continuation-in-part of application No. 29/137,775, filed on Feb. 27, 2001, now Pat. No. Des. 454,951.
- (51) **LOC (7) Cl.** **24-02**
- (52) **U.S. Cl.** **D24/112; D24/108; D24/133**
- (58) **Field of Search** **D24/108, 112, D24/133, 140; 604/97.02, 95.05, 96.01, 34, 35, 30, 19, 45, 902, 97.01, 528; 600/585**

(56) **References Cited**

U.S. PATENT DOCUMENTS

3,470,876 A	10/1969	Barchilon
4,353,358 A	10/1982	Emerson
4,545,369 A	10/1985	Sato
4,601,284 A	7/1986	Arakawa et al.
4,651,202 A	3/1987	Arakawa
4,750,475 A	6/1988	Yoshihashi
4,884,133 A	11/1989	Kanno et al.
5,151,096 A	9/1992	Khoury
5,199,950 A	4/1993	Schmitt et al.
5,217,454 A	6/1993	Khoury
5,273,524 A	12/1993	Fox et al.
D343,678 S	1/1994	Snoke et al.
5,342,299 A	8/1994	Snoke et al.
5,354,266 A	10/1994	jf124cSnoke
D352,780 S	11/1994	Glaeser et al.
5,399,164 A	3/1995	Snoke et al.
5,415,158 A	5/1995	Barthel et al.
5,437,636 A	8/1995	Snoke et al.

(List continued on next page.)

FOREIGN PATENT DOCUMENTS

EP 0 389 453 A1 9/1990

Primary Examiner—Ian Simmons

(74) *Attorney, Agent, or Firm*—Gardner Groff & Mehrman, P.C.

(57) **CLAIM**

The ornamental design for a steerable catheter, as shown and described.

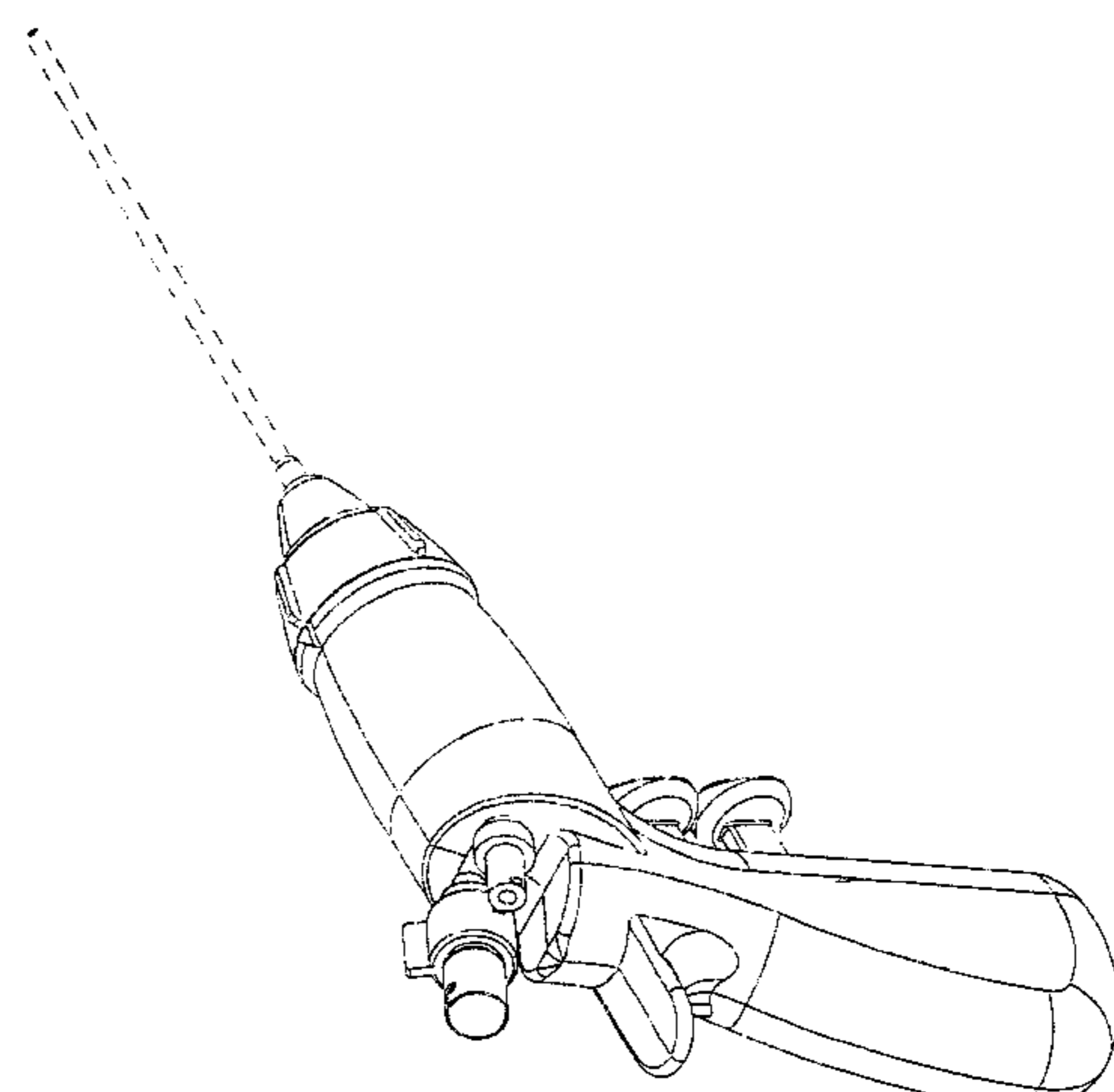
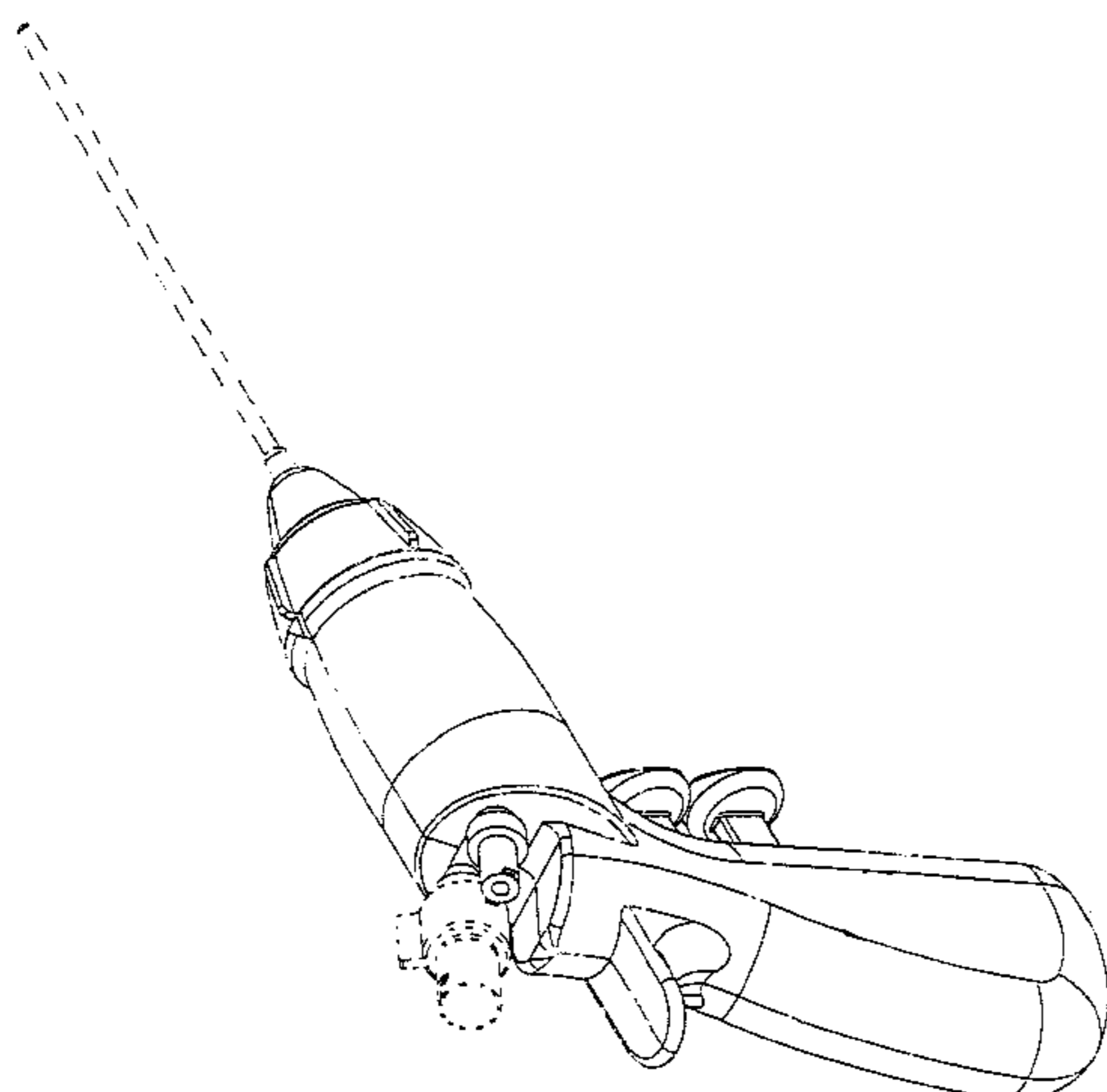
DESCRIPTION

FIG. 1 is a first perspective view of a steerable catheter according to a preferred form of the present design; FIG. 2 is a second perspective view of the steerable catheter of FIG. 1; FIG. 3 is a first side view of the steerable catheter of FIG. 1; FIG. 4 is a second side view of the steerable catheter of FIG. 1; FIG. 5 is a top view of the steerable catheter of FIG. 1; FIG. 6 is a bottom view of the steerable catheter of FIG. 1; FIG. 7 is a first end view of the steerable catheter of FIG. 1; FIG. 8 is a second end view of the steerable catheter of FIG. 1.

FIG. 9 is a first perspective view of a steerable catheter according to another preferred form of the present invention; FIG. 10 is a second perspective view of the steerable catheter of FIG. 9; FIG. 11 is a first side view of the steerable catheter of FIG. 9; FIG. 12 is a second side view of the steerable catheter of FIG. 9; FIG. 13 is a top view of the steerable catheter of FIG. 9; FIG. 14 is a bottom view of the steerable catheter of FIG. 9; FIG. 15 is a first end view of the steerable catheter of FIG. 9; and, FIG. 16 is a second end view of the steerable catheter of FIG. 9.

The broken line showing is for illustrative purposes only and forms no part of the claimed design.

1 Claim, 16 Drawing Sheets



US D466,209 S

Page 2

U.S. PATENT DOCUMENTS

5,496,269 A	3/1996	Snoke	5,857,996 A	1/1999	Snoke
5,526,820 A	6/1996	Khoury	5,860,953 A	1/1999	Snoke et al.
5,531,686 A	7/1996	Lundquist et al.	D405,881 S	2/1999	Snoke et al.
5,538,496 A	7/1996	Yabe et al.	5,868,665 A	2/1999	Biggs
5,542,924 A	8/1996	Snoke et al.	6,030,360 A	2/2000	Biggs
5,609,573 A	3/1997	Sandock	6,146,355 A	11/2000	Biggs
5,624,397 A	4/1997	Snoke et al.	6,156,027 A *	12/2000	West 600/585
5,779,626 A	7/1998	Kondo	6,213,974 B1	4/2001	Smith et al.
5,846,221 A	12/1998	Snoke et al.	6,293,920 B1 *	9/2001	Sweezer et al. 604/97.02

* cited by examiner

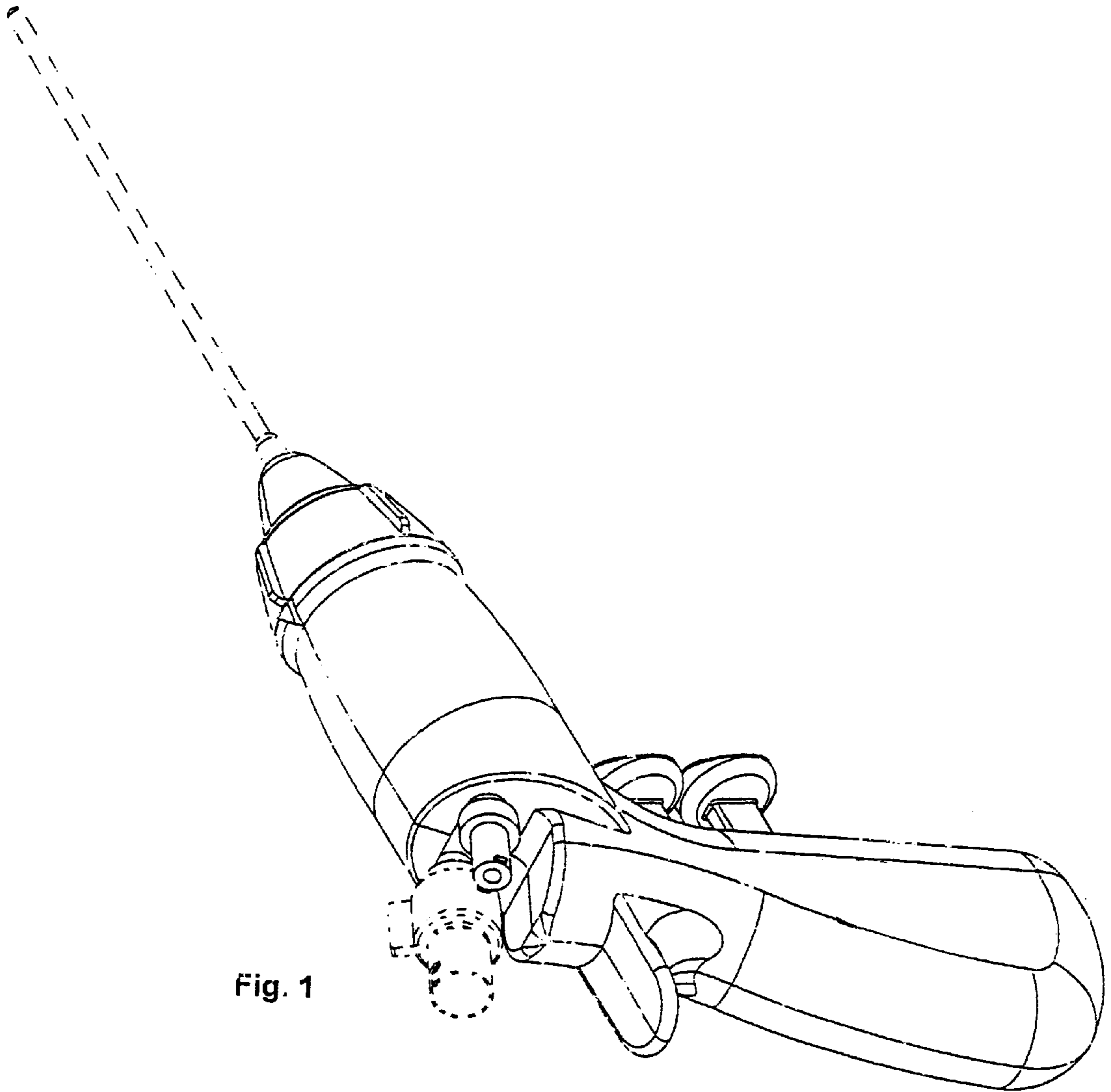
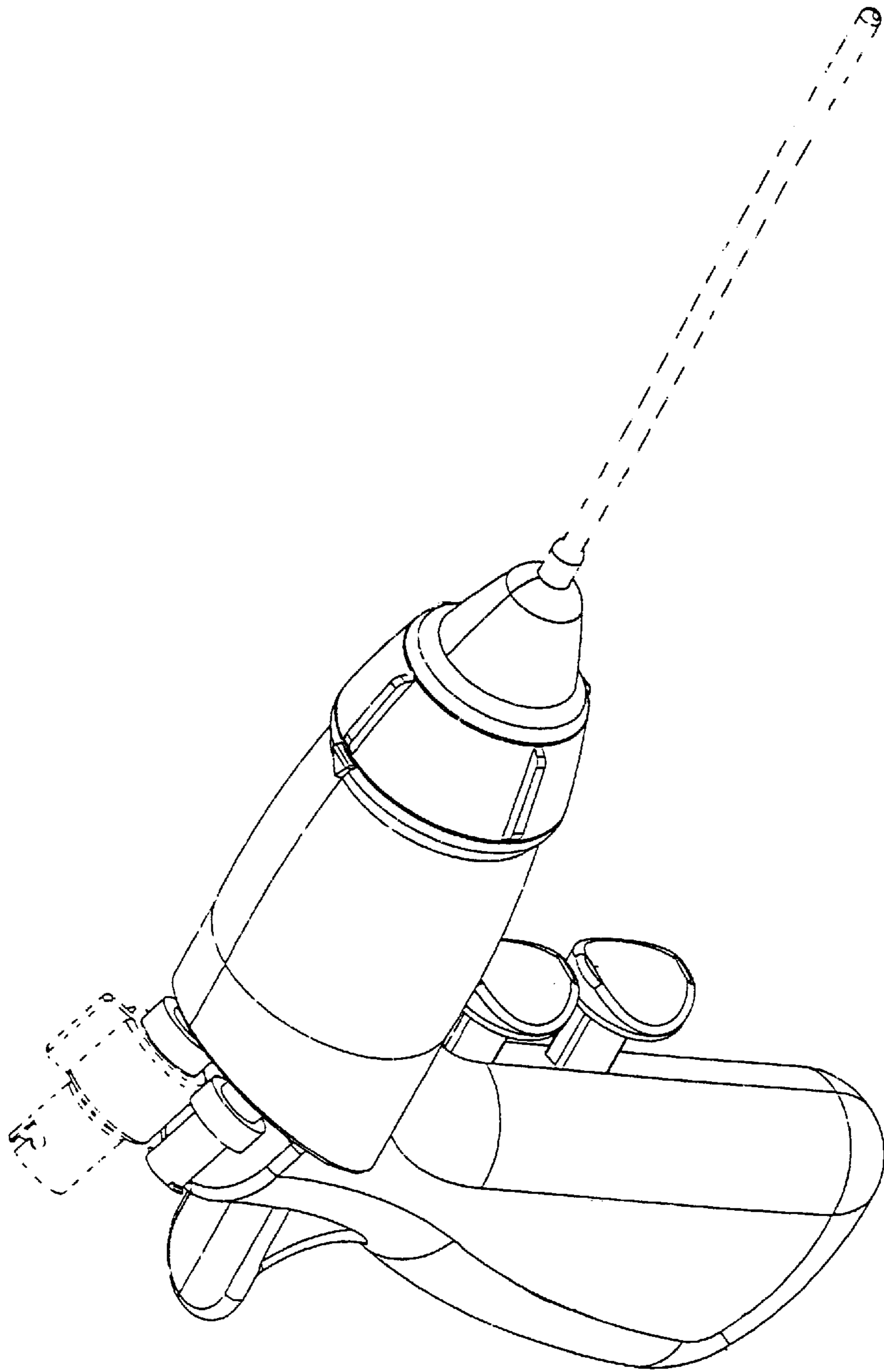


Fig. 1

Fig. 2



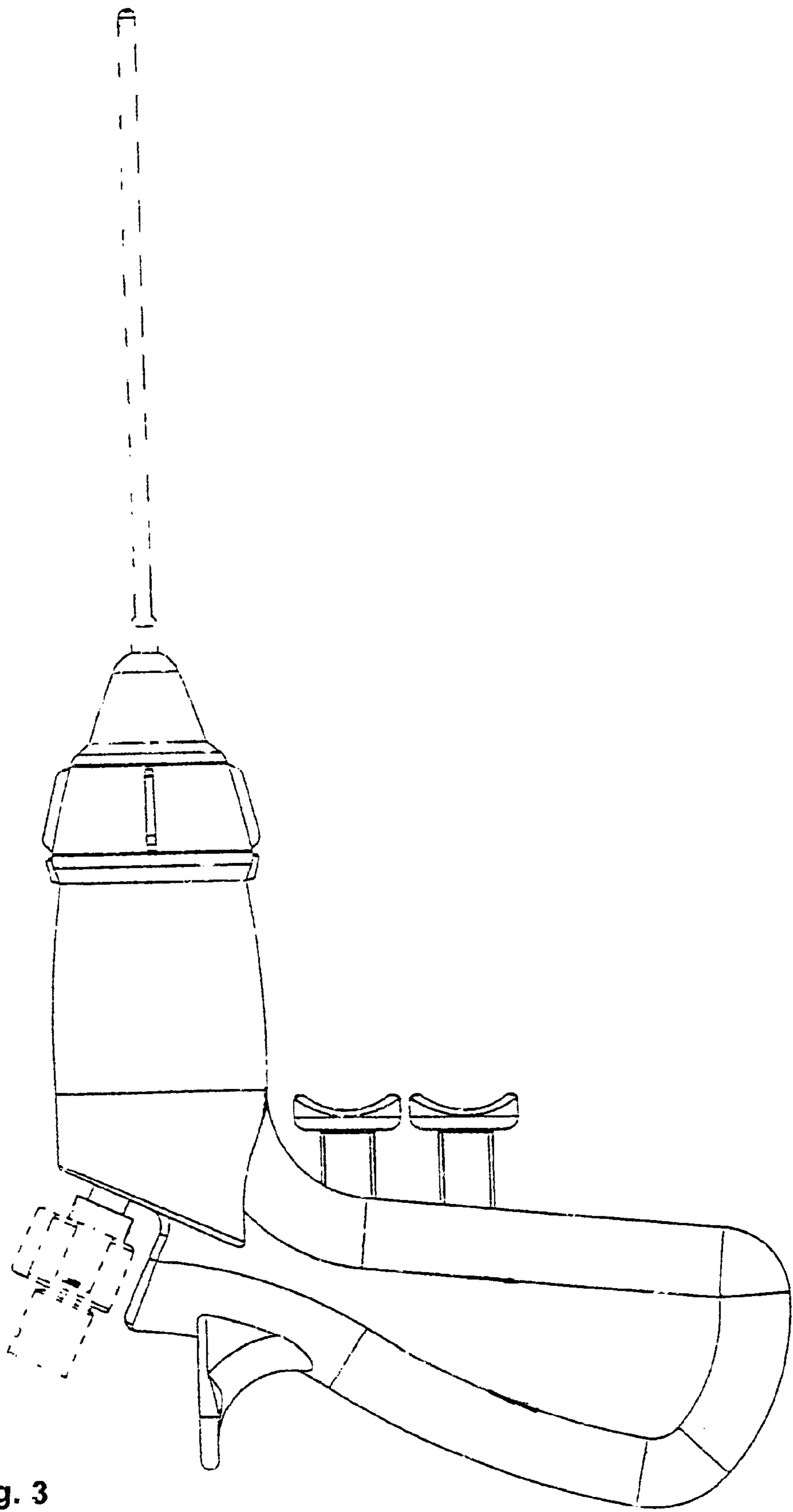


Fig. 3

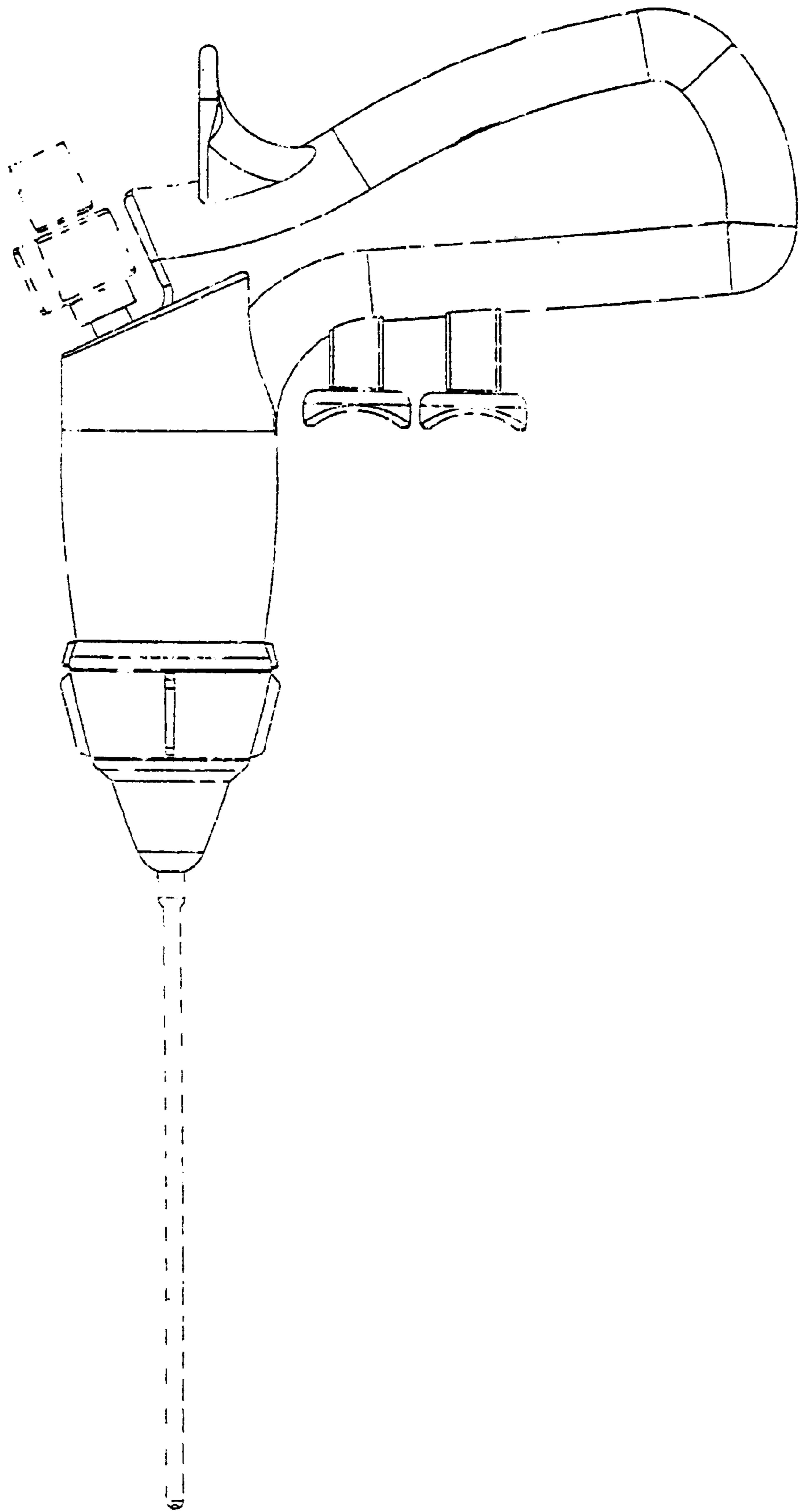


Fig. 4

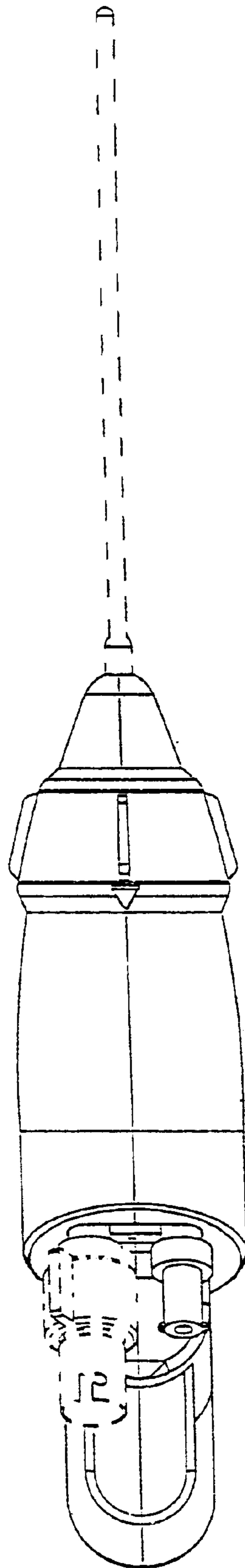


Fig. 5

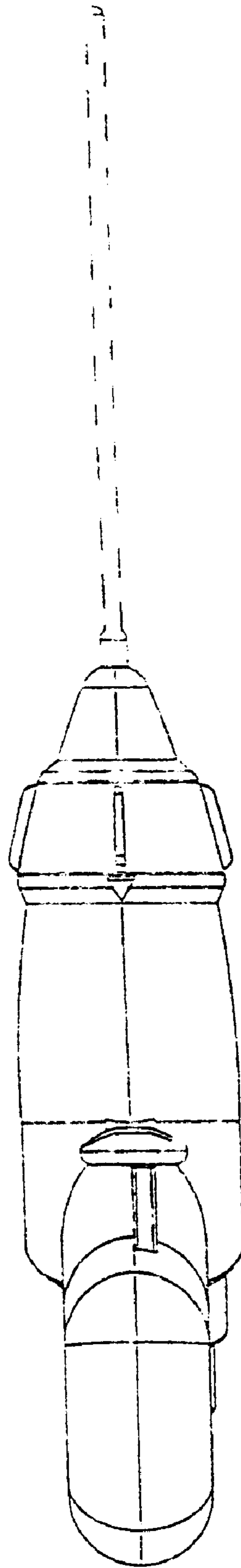


Fig. 6

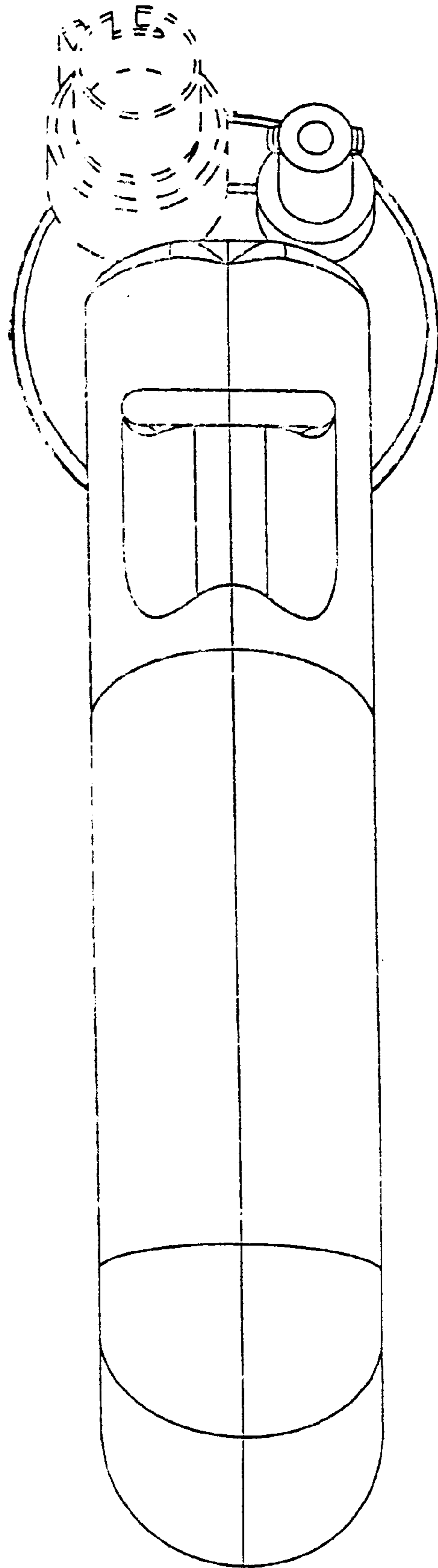


Fig. 7

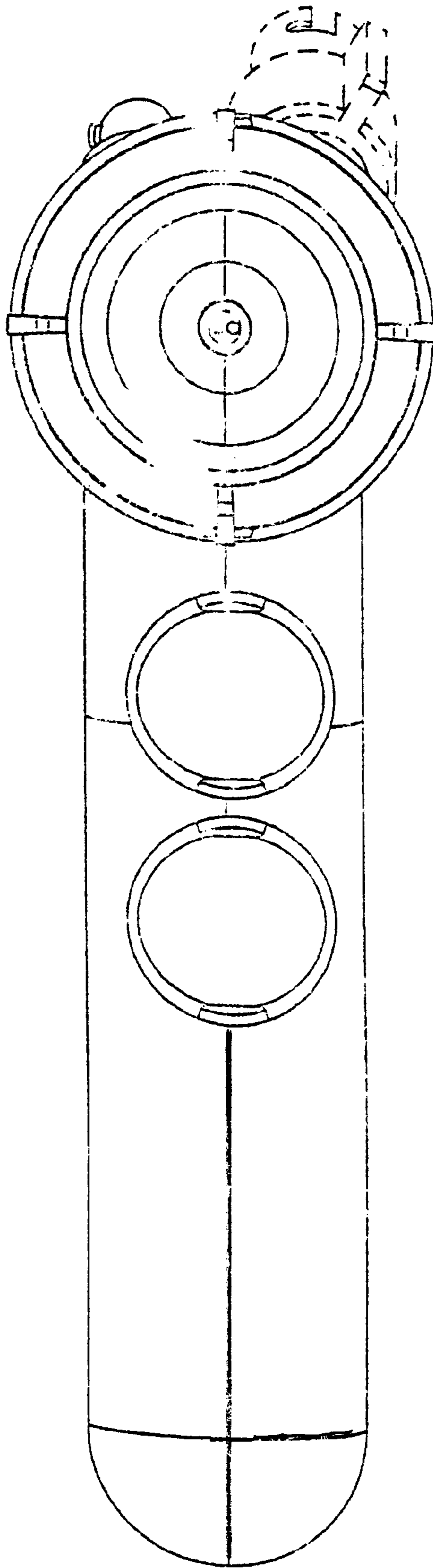


Fig. 8

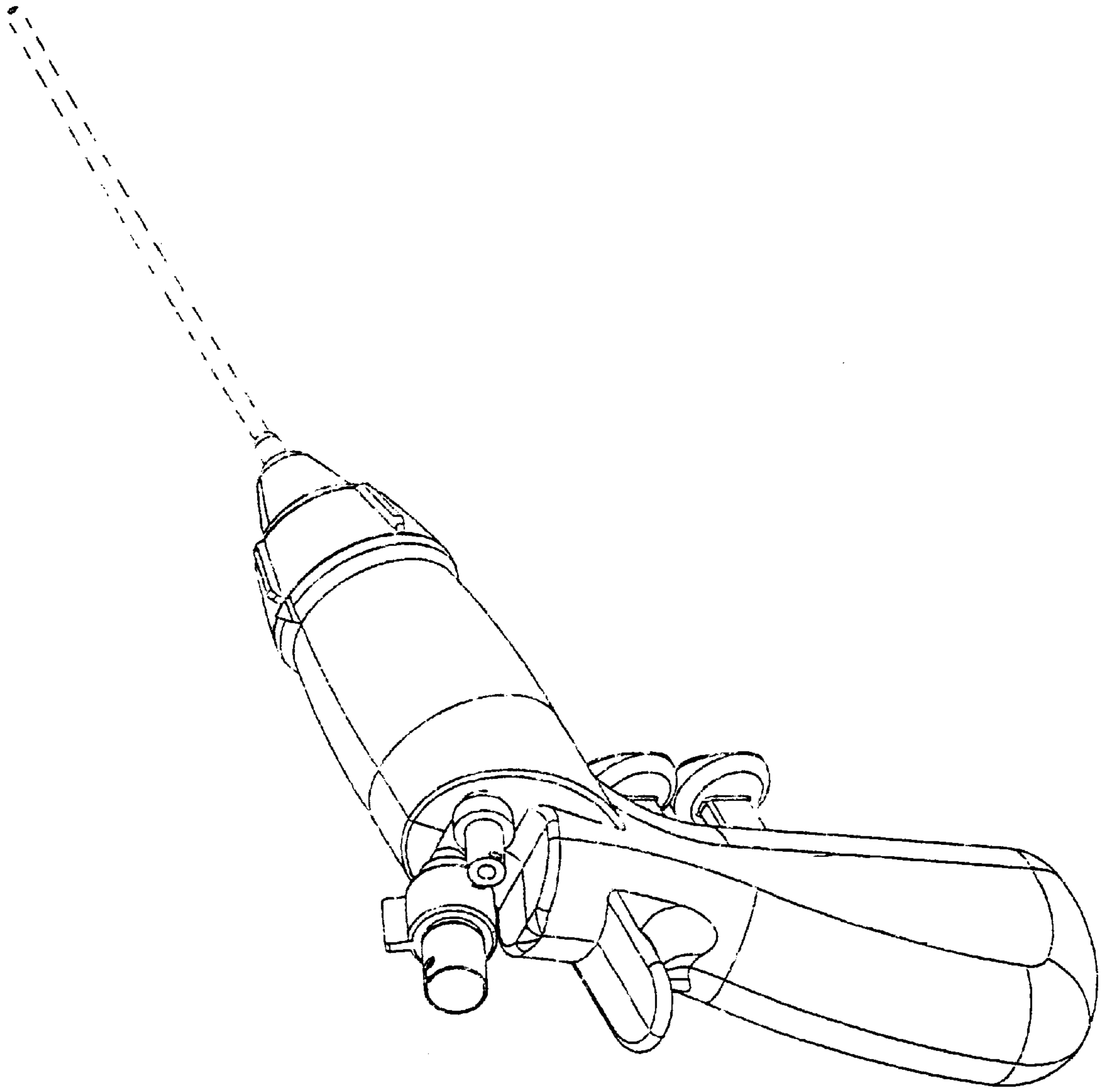


Fig. 9

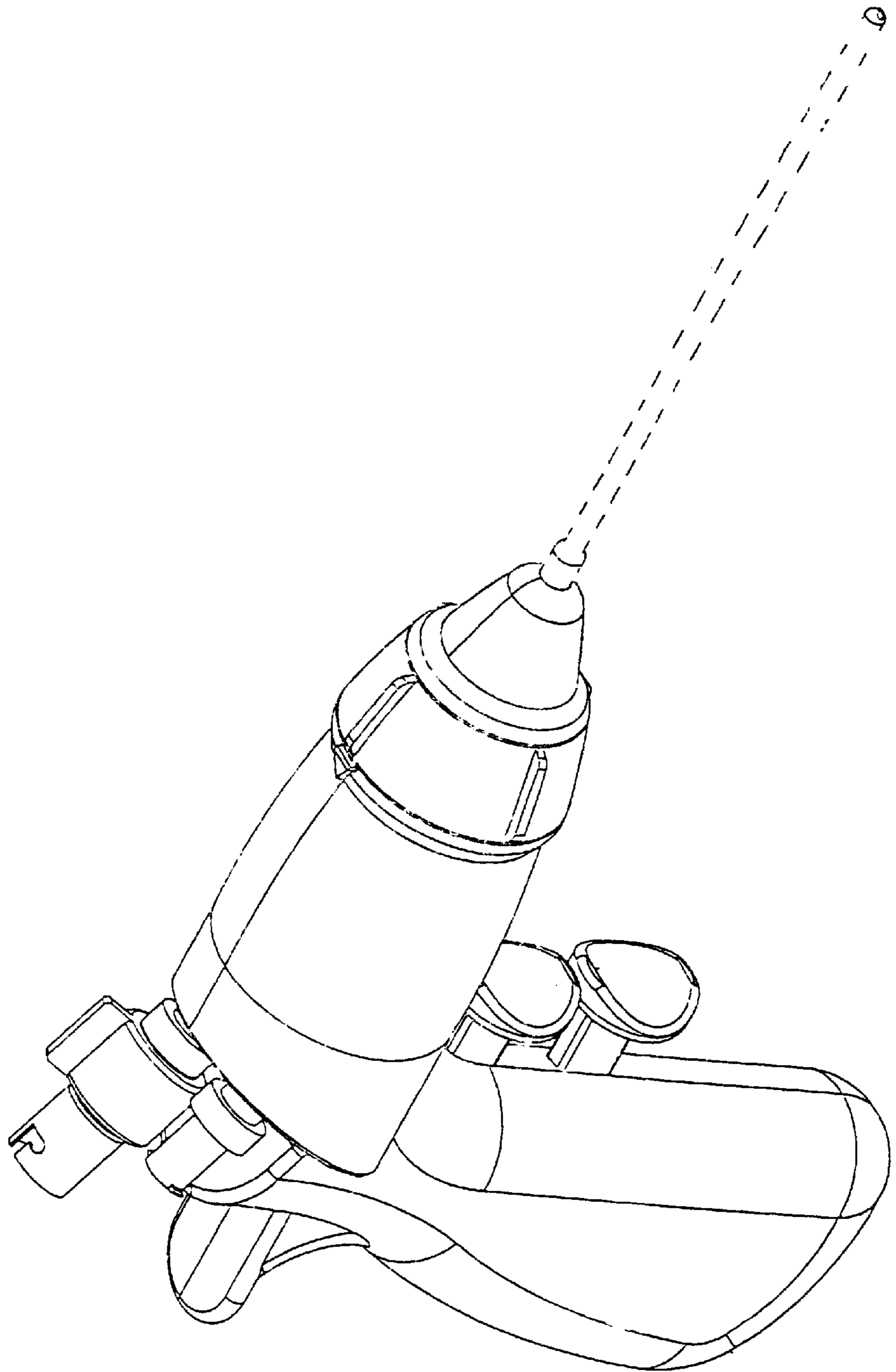


Fig. 10

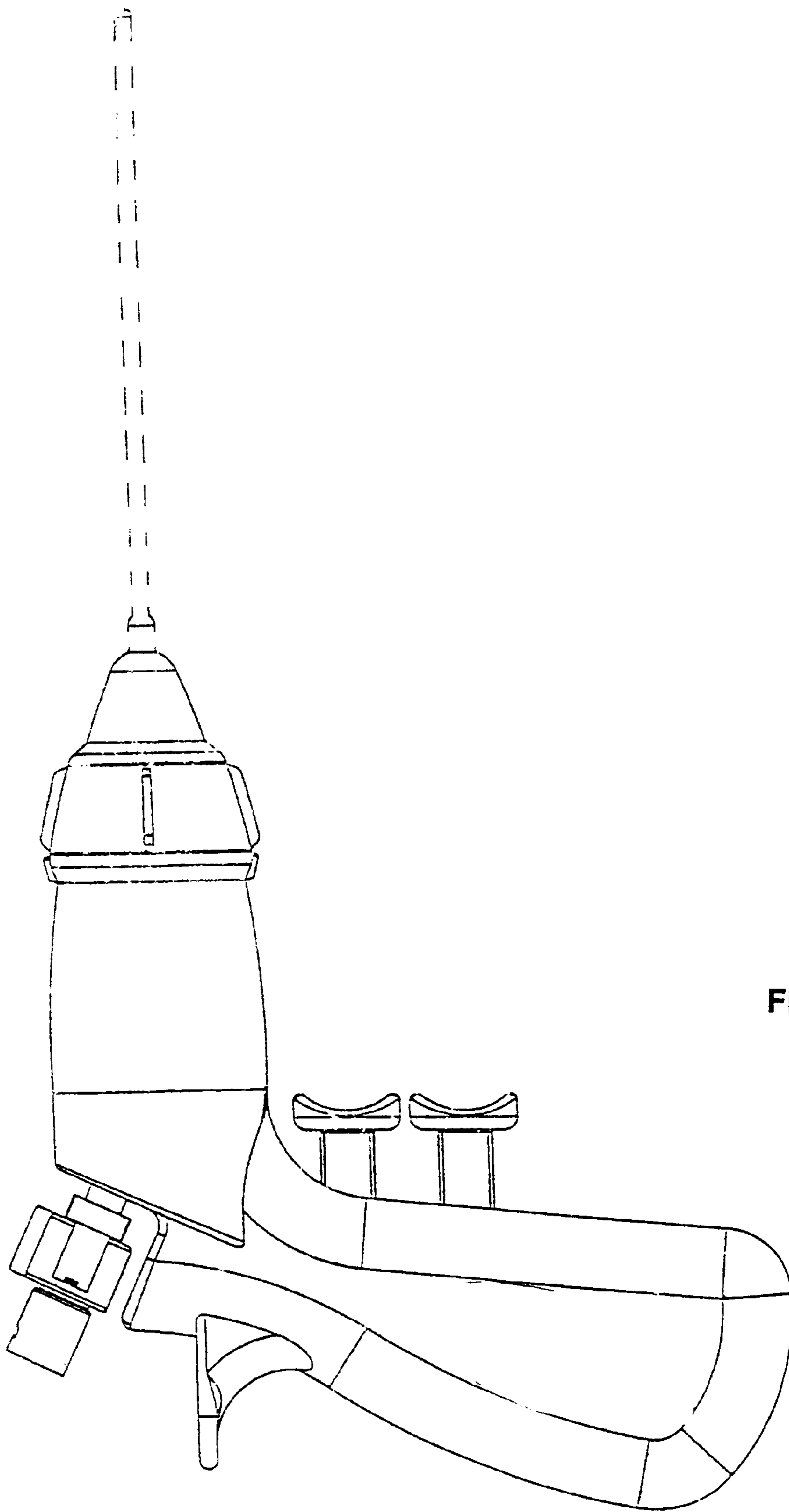


Fig. 11

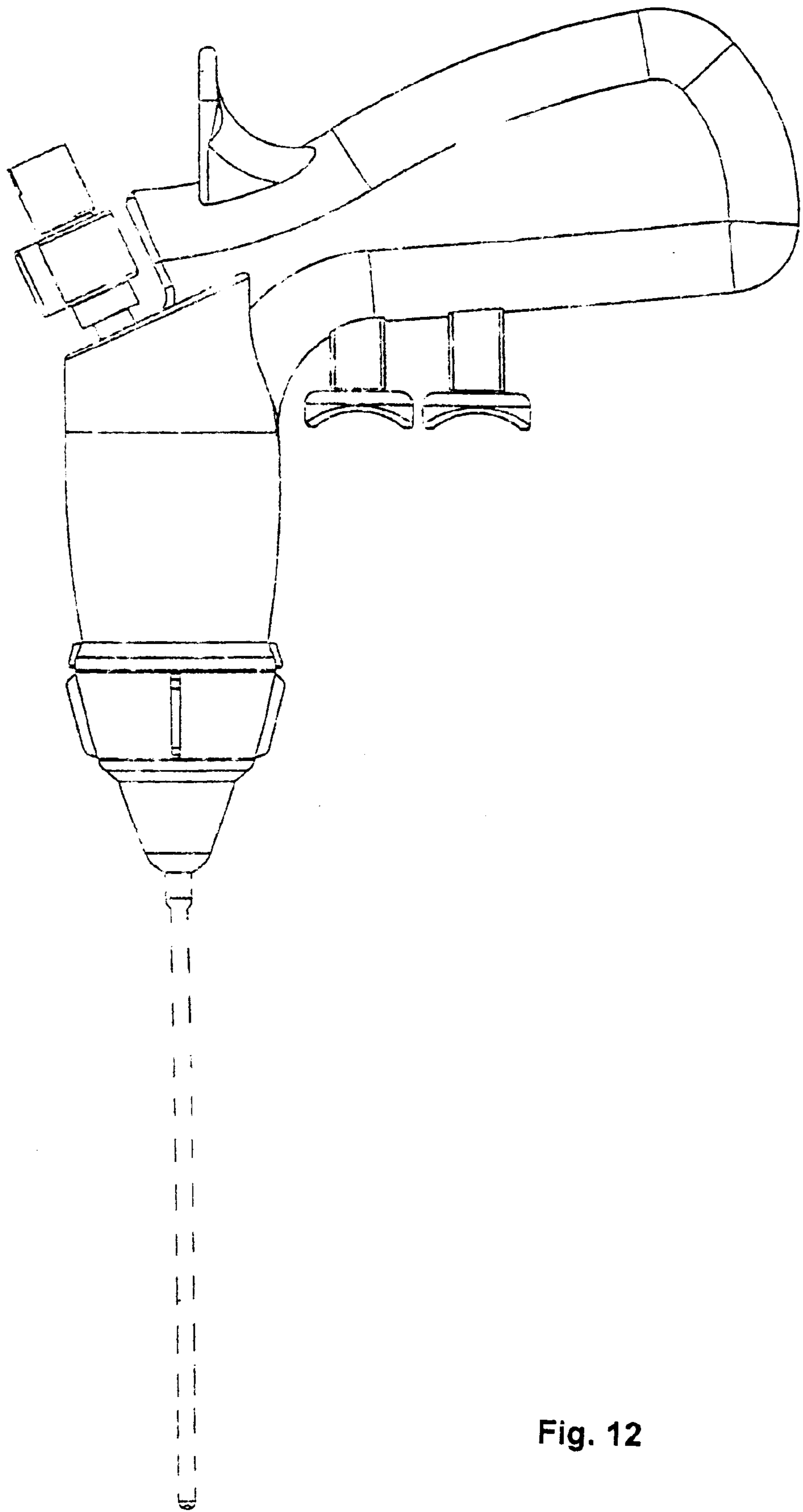


Fig. 12

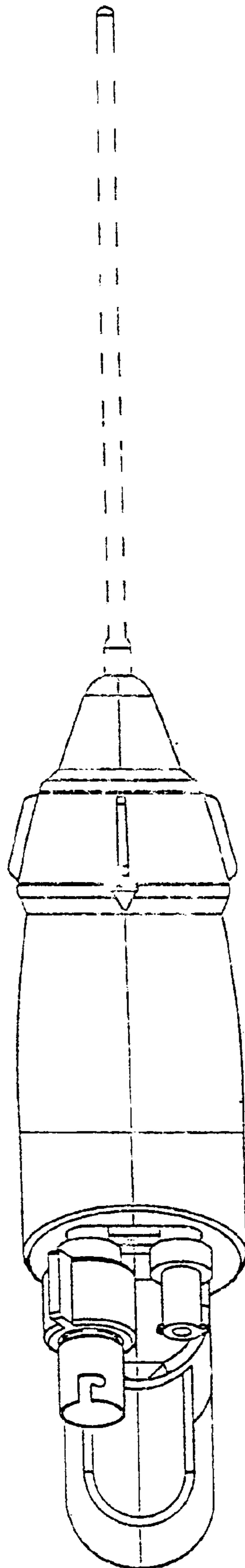


Fig. 13

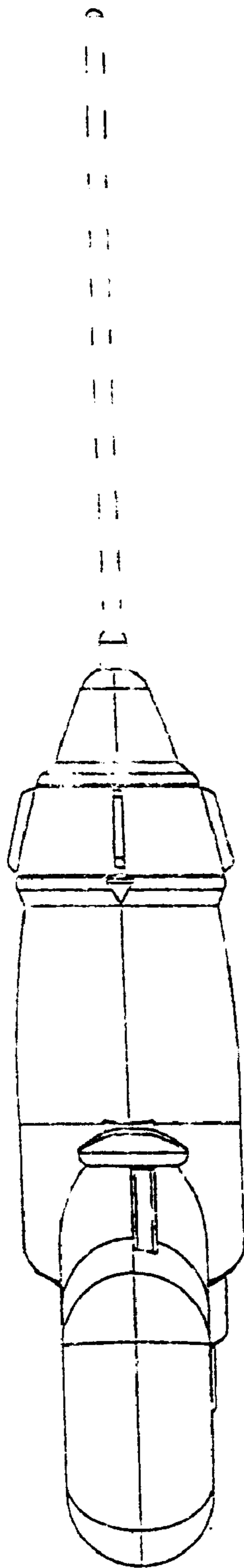


Fig. 14

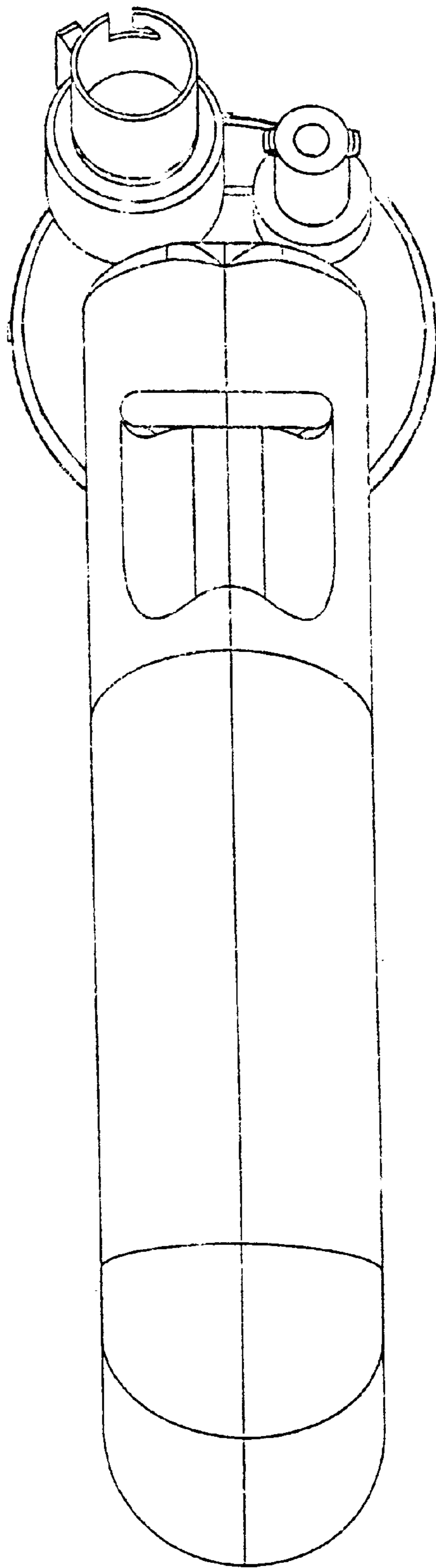


Fig. 15

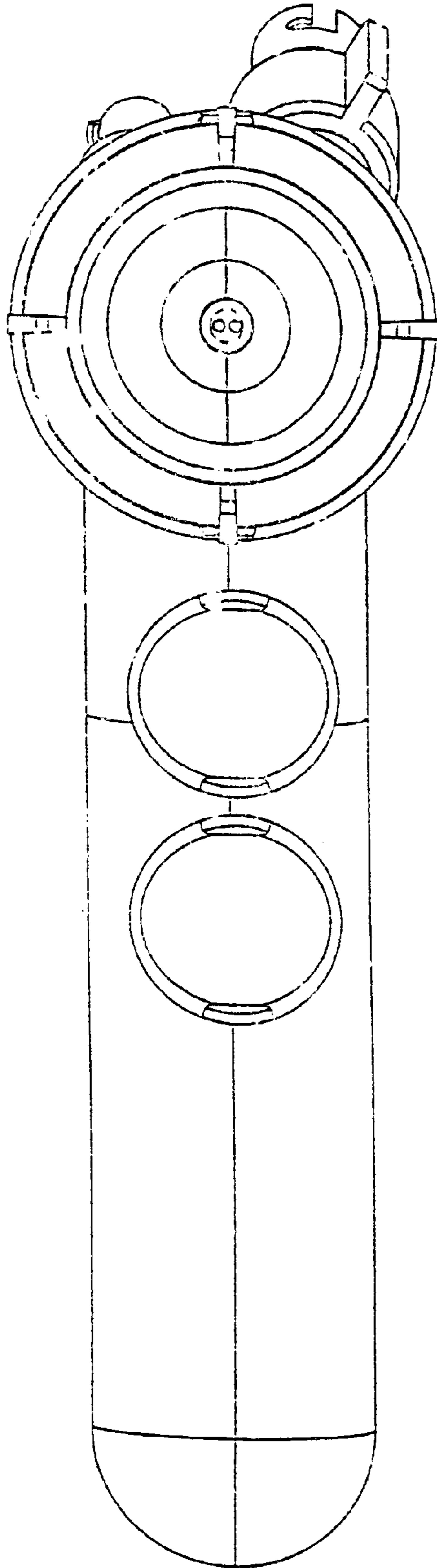


Fig. 16