



US00D466205S

(12) **United States Design Patent**
Garcia

(10) **Patent No.:** **US D466,205 S**

(45) **Date of Patent:** **** Nov. 26, 2002**

(54) **VENTED ELECTRICAL DEVICE FOR DISPENSING VOLATILE SUBSTANCES**

D400,662 S * 11/1998 Davis D23/360
D449,101 S * 10/2001 Wolpert et al. D23/366

(75) Inventor: **Ruben Garcia**, Barcelona (ES)

* cited by examiner

(73) Assignee: **Reckitt Benckiser (Australia) Pty Limited**, West Ryde (AU)

Primary Examiner—Lisa Lichtenstein

(74) *Attorney, Agent, or Firm*—Fish & Richardson P.C.

(**) Term: **14 Years**

(57) **CLAIM**

(21) Appl. No.: **29/142,337**

The ornamental design for a vented electrical device for dispensing volatile substances, as shown and described.

(22) Filed: **May 23, 2001**

DESCRIPTION

(30) **Foreign Application Priority Data**

Nov. 30, 2000 (GB) 2097814

(51) **LOC (7) Cl.** **23-04**

(52) **U.S. Cl.** **D23/366**

(58) **Field of Search** D23/366–369,
D23/355, 356–363, 427, 305, 125; 239/136,
135; 392/395, 392, 403, 405

FIG. 1 is a front and right side perspective view of an electrical device showing my new design.

FIG. 2 is a front view thereof;

FIG. 3 is a rear view thereof;

FIG. 4 is a top plan view thereof;

FIG. 5 is a bottom plan view thereof; and,

FIG. 6 is a right side view thereof, the left side view being a substantial mirror image thereof.

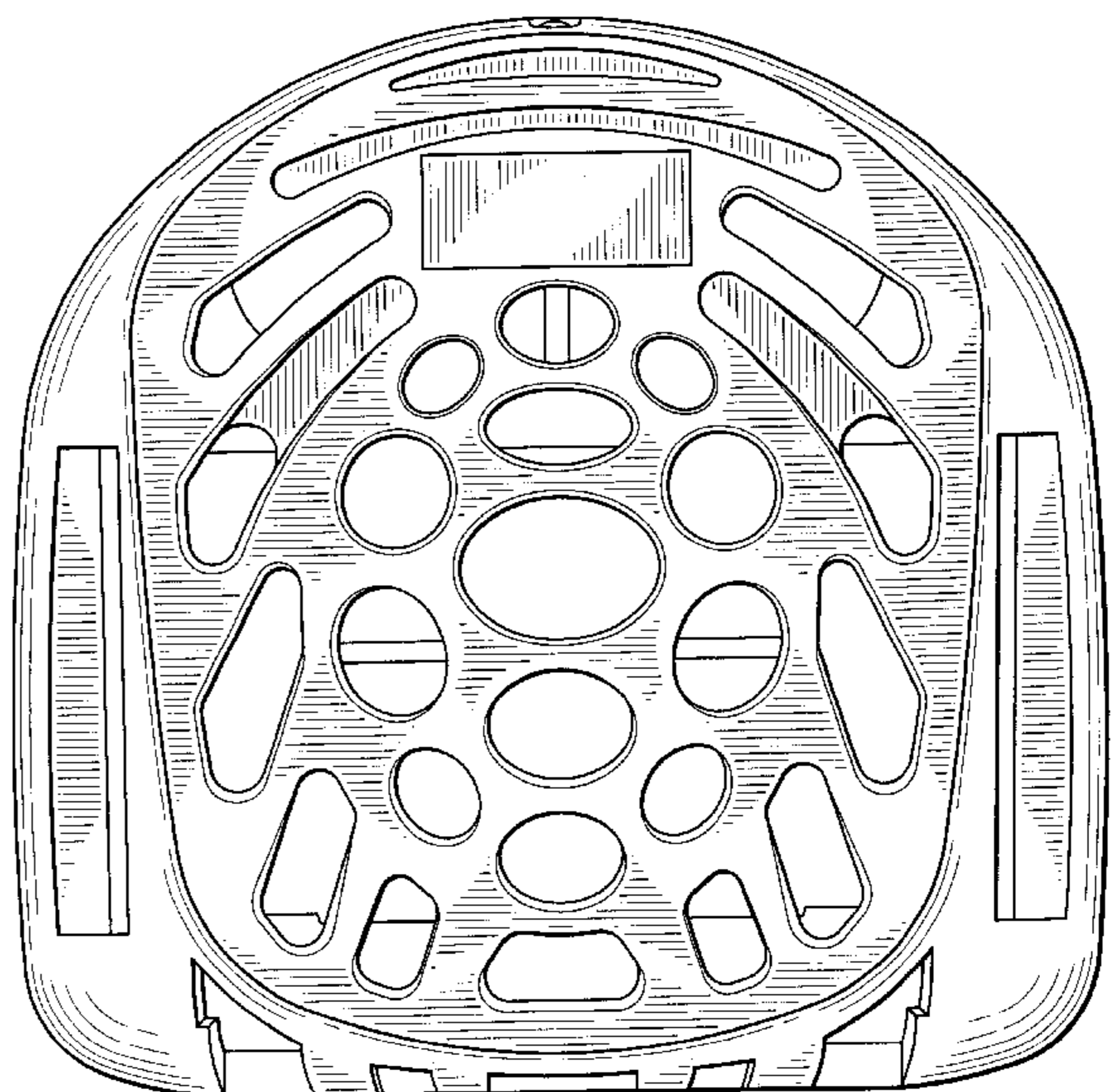
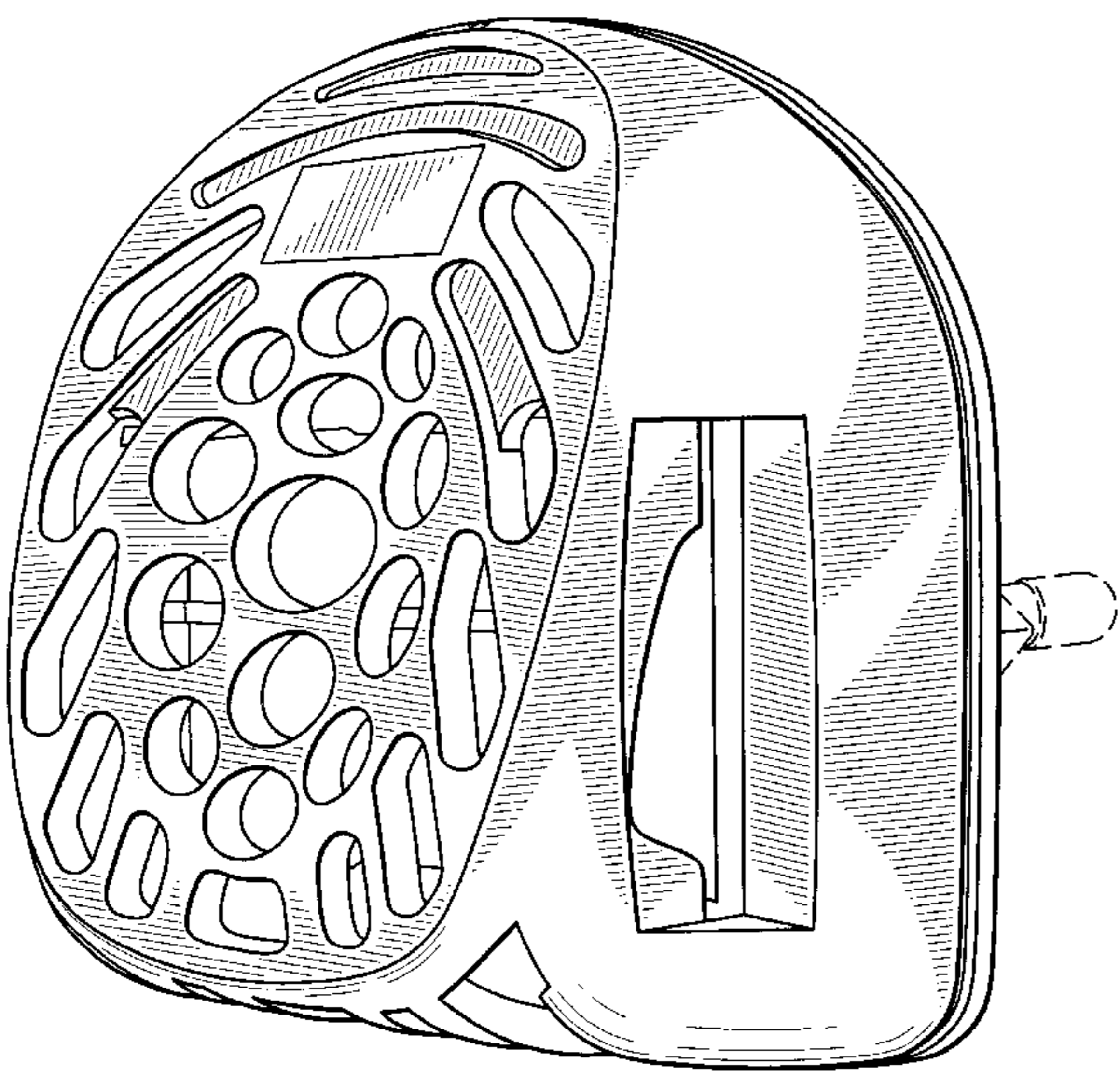
The broken line showing of environmental structure in FIGS. 1 and 3–6 is for illustrative purposes only and forms no part of the claimed design.

(56) **References Cited**

U.S. PATENT DOCUMENTS

D346,207 S * 4/1994 Martin D23/366

1 Claim, 6 Drawing Sheets



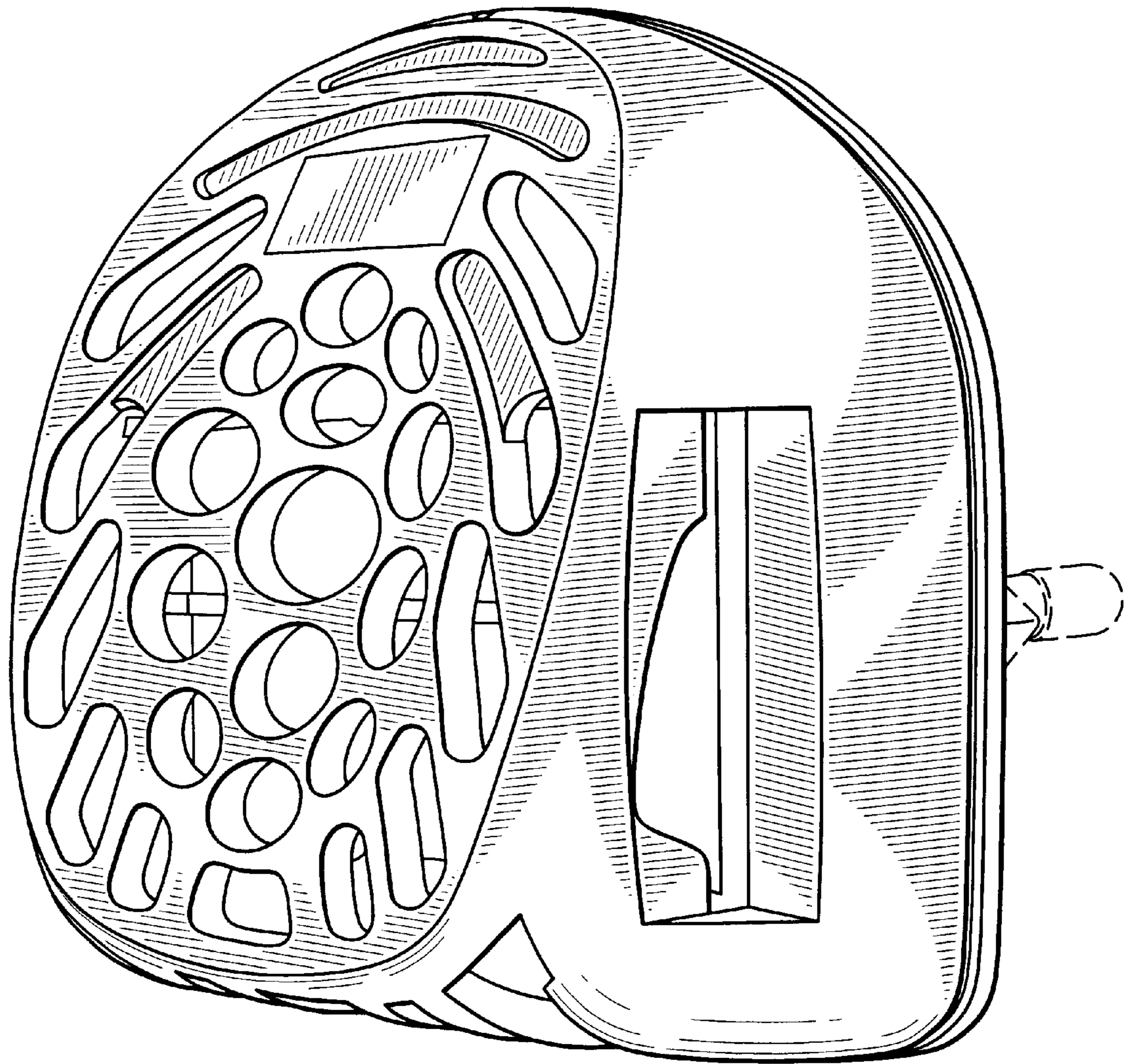


FIG. 1

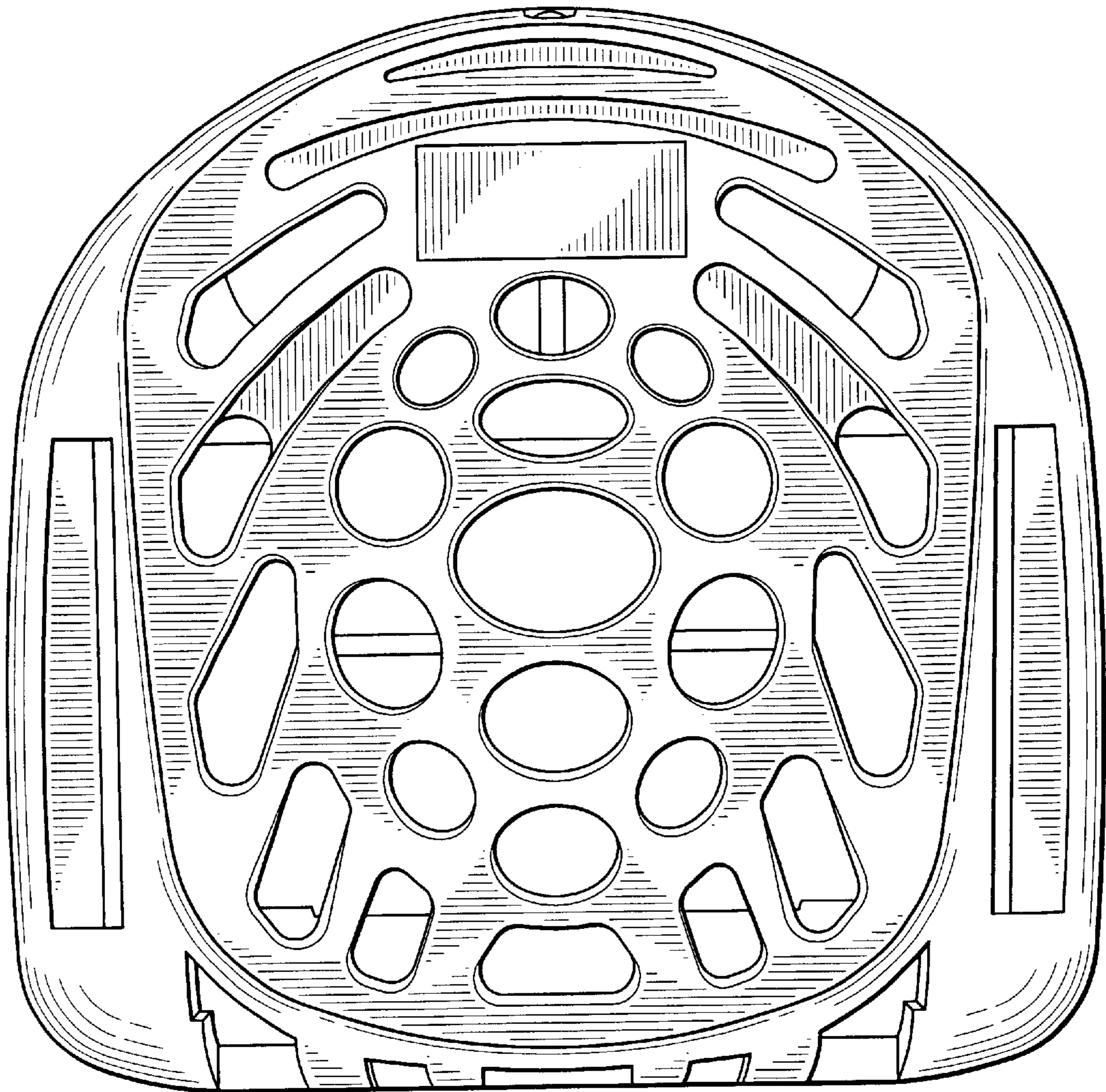


FIG. 2

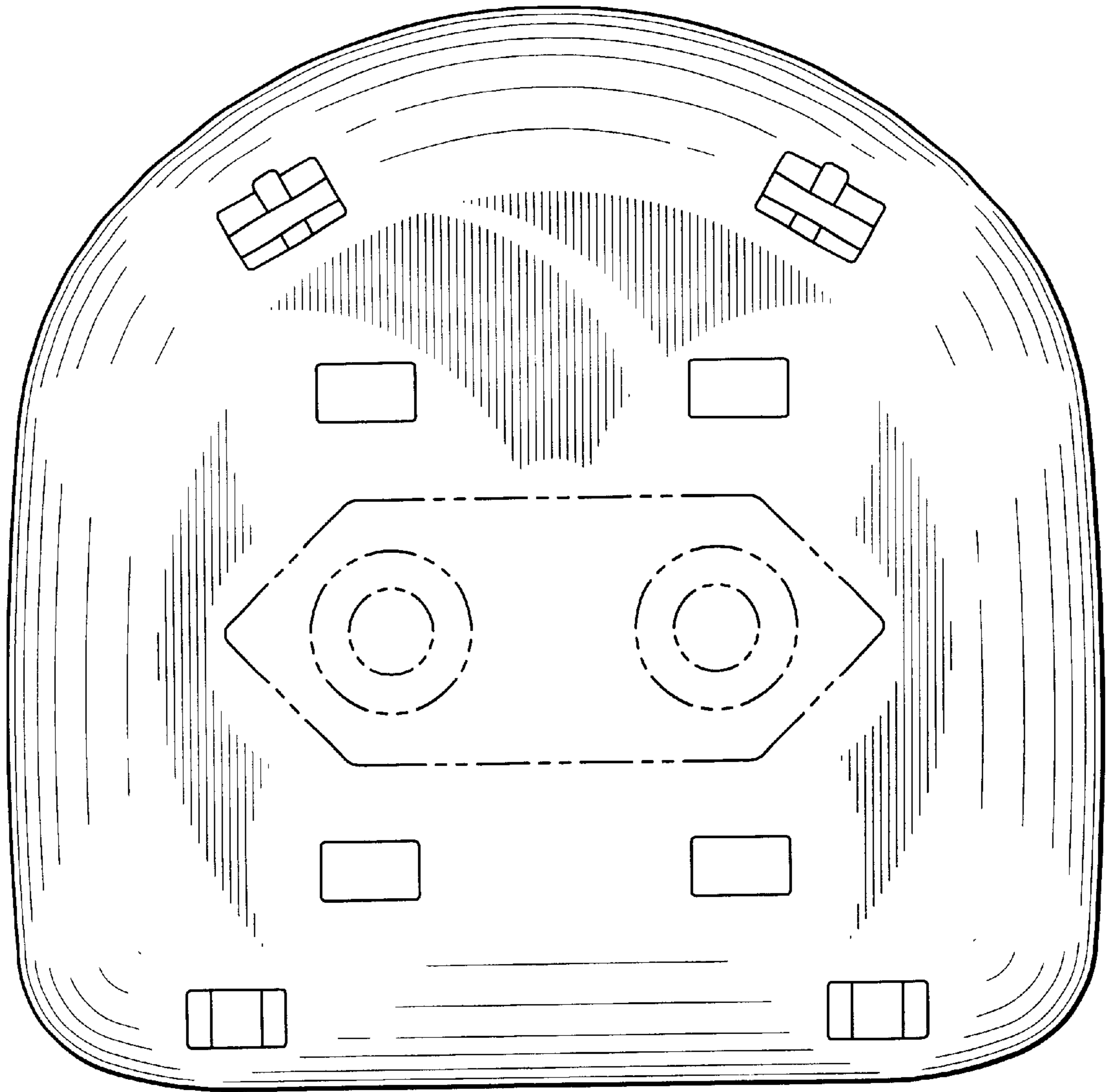


FIG. 3

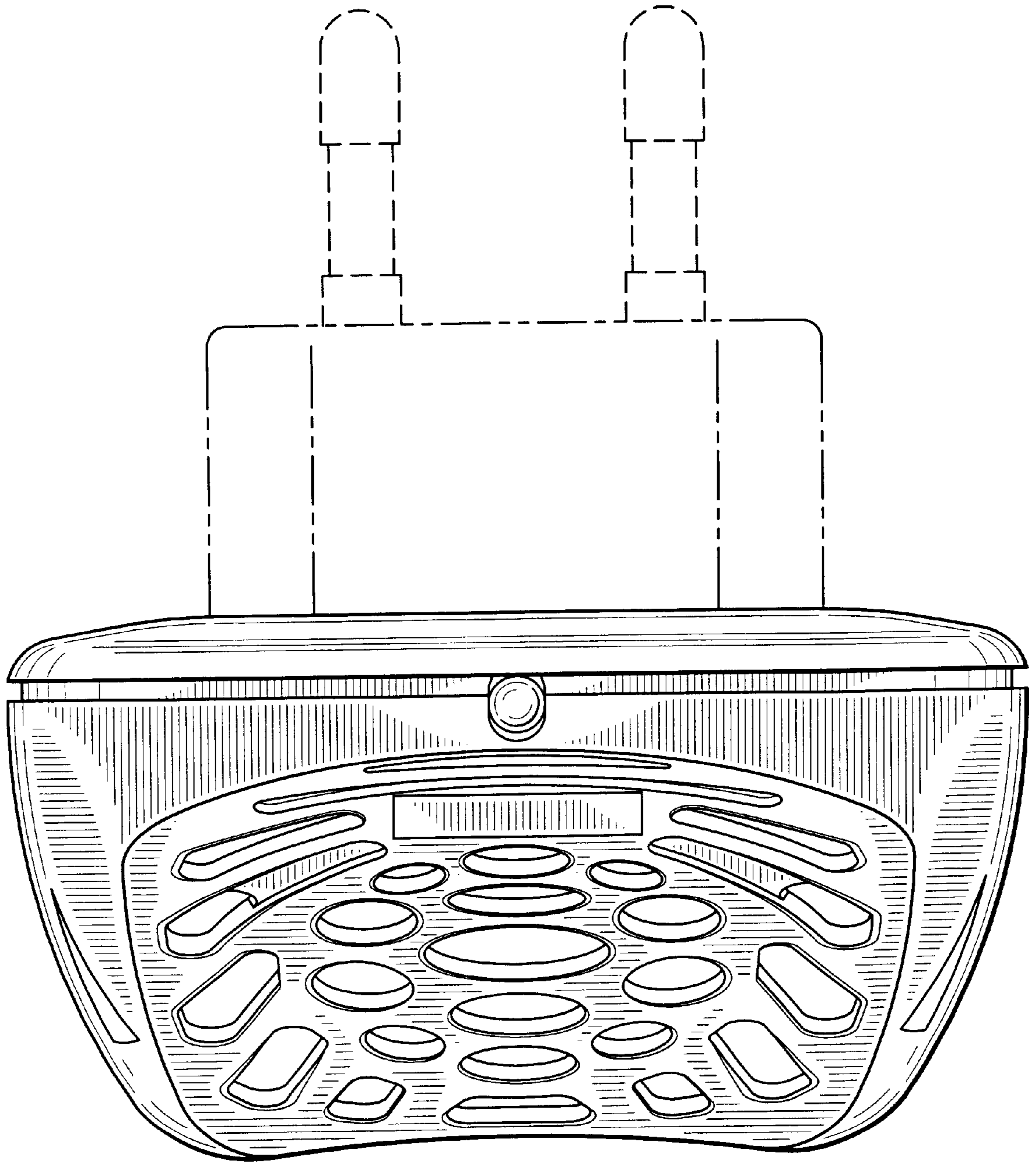


FIG. 4

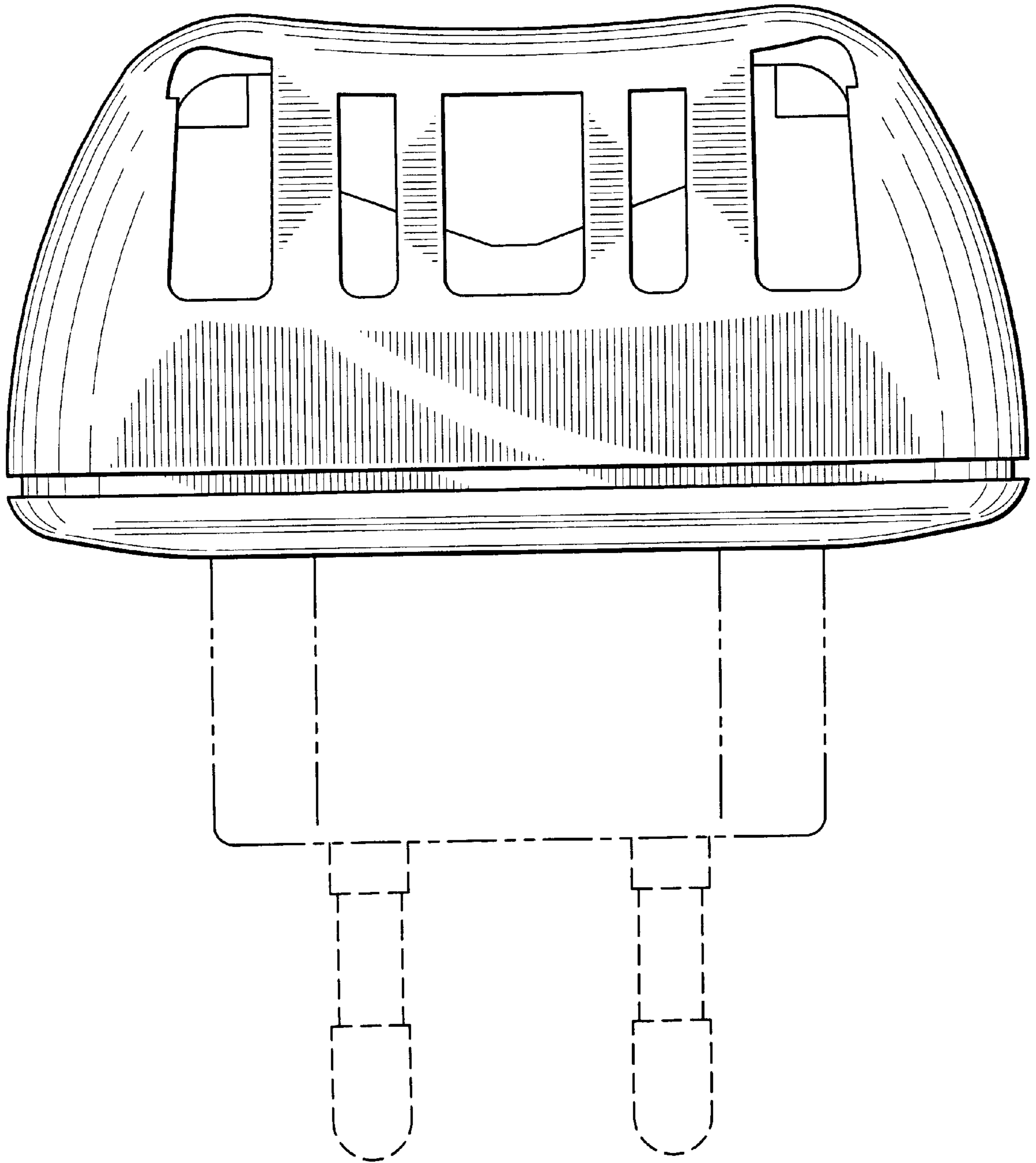


FIG. 5

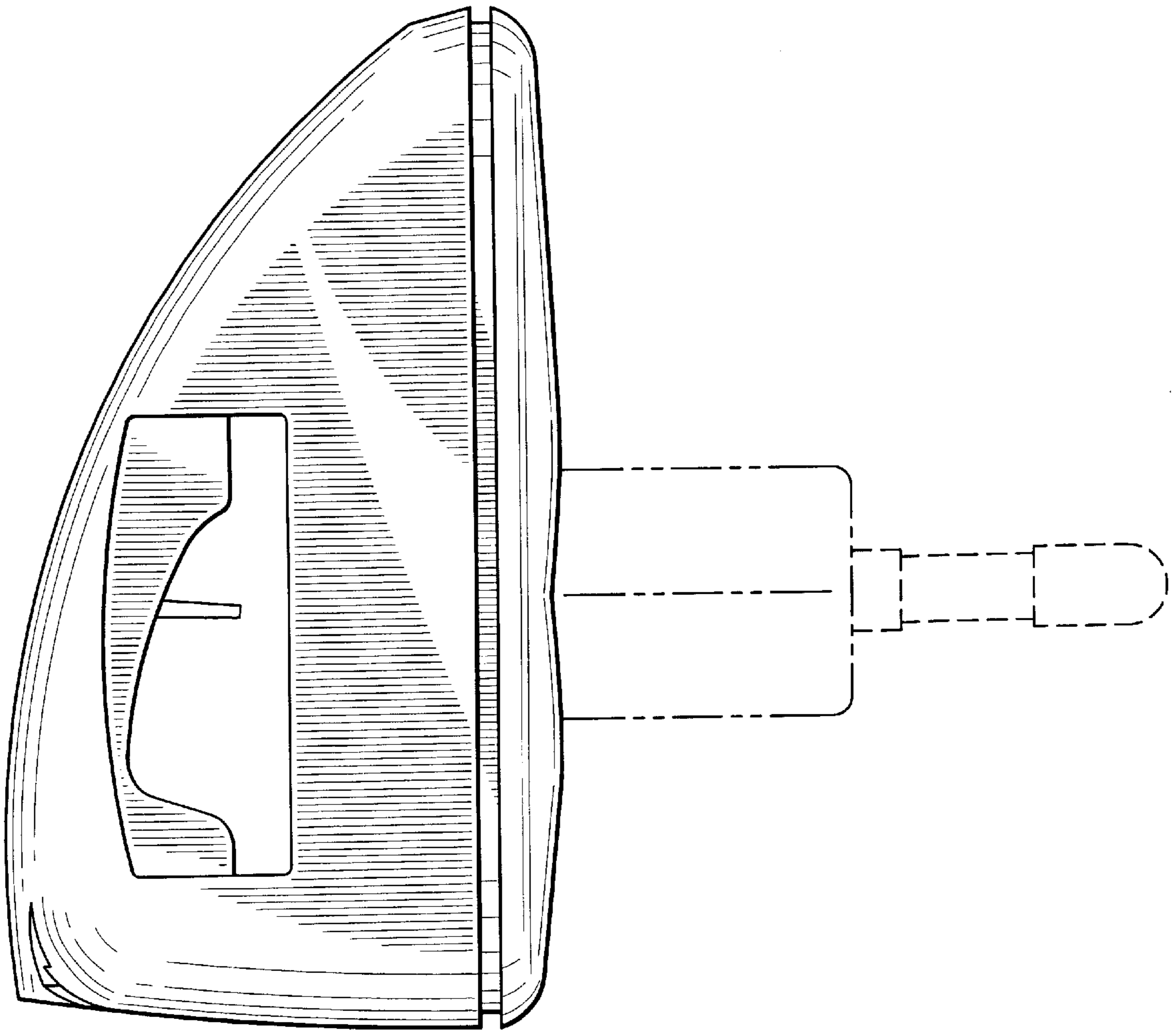


FIG. 6