



US00D466204S

(12) **United States Design Patent**  
**Wolpert et al.**

(10) **Patent No.:** **US D466,204 S**

(45) **Date of Patent:** **\*\* Nov. 26, 2002**

(54) **ELECTRIC LIQUID VAPORIZER**

(75) Inventors: **Christopher Wolpert**, Scottsdale, AZ (US); **Kristopher J. Stathakis**, Scottsdale, AZ (US); **Carl Triplett**, Scottsdale, AZ (US); **Mengtao Pete He**, Scottsdale, AZ (US); **Debrah Park**, Mesa, AZ (US)

(73) Assignee: **The Dial Corporation**, Scottsdale, AZ (US)

(\*\*) Term: **14 Years**

(21) Appl. No.: **29/123,314**

(22) Filed: **May 15, 2000**

**Related U.S. Application Data**

(63) Continuation-in-part of application No. 29/113,693, filed on Nov. 8, 1999, now Pat. No. Des. 440,291.

(51) **LOC (7) Cl.** ..... **23-04**

(52) **U.S. Cl.** ..... **D23/366**

(58) **Field of Search** ..... D23/366-369;  
261/DIG. 65; 239/34, 55-60; 422/120

(56) **References Cited**

**U.S. PATENT DOCUMENTS**

D159,407 S	7/1950	Costello
2,611,068 A	9/1952	Wellens
D189,420 S	12/1960	Diehl
4,724,976 A	2/1988	Lee
4,739,928 A	4/1988	O'Neil
4,745,705 A	5/1988	Yamamoto et al.
D307,180 S	4/1990	Luthy

5,016,772 A	5/1991	Wilk
5,038,394 A	8/1991	Hasegawa et al.
5,050,762 A	9/1991	Giorgi
D332,138 S	* 12/1992	Lonker ..... D23/366
D335,530 S	5/1993	Schimanski
D346,207 S	4/1994	Martin
D357,330 S	4/1995	Wong et al.
D359,346 S	* 6/1995	Martin ..... D23/366
D381,443 S	7/1997	Yuen
D386,974 S	12/1997	Wefler
D393,063 S	3/1998	Wefler
5,940,577 A	8/1999	Steinel

\* cited by examiner

*Primary Examiner*—Lisa Lichtenstein

(74) *Attorney, Agent, or Firm*—Snell & Wilmer LLP

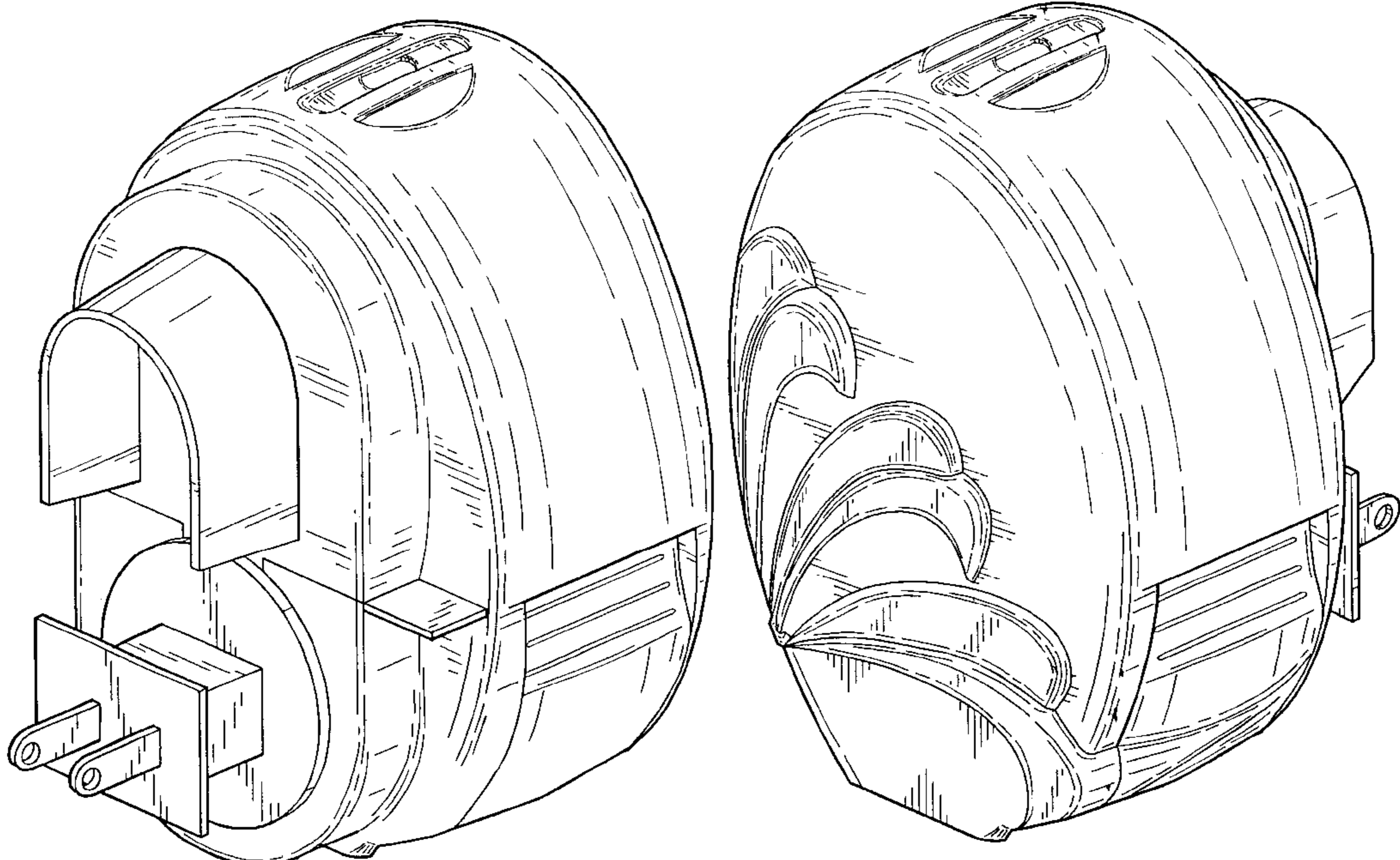
(57) **CLAIM**

The ornamental design for the electric liquid vaporizer, as shown.

**DESCRIPTION**

FIG. 1 is a rear perspective view of an electric liquid vaporizer showing our new design;  
FIG. 2 is a front perspective view of the electric liquid vaporizer of FIG. 1;  
FIG. 3 is a right side view of the electric liquid vaporizer of FIG. 1;  
FIG. 4 is a left side view of the electric liquid vaporizer of FIG. 1;  
FIG. 5 is a rear view of the electric liquid vaporizer of FIG. 1; and,  
FIG. 6 is a top view of the electric liquid vaporizer of FIG. 1.

**1 Claim, 6 Drawing Sheets**



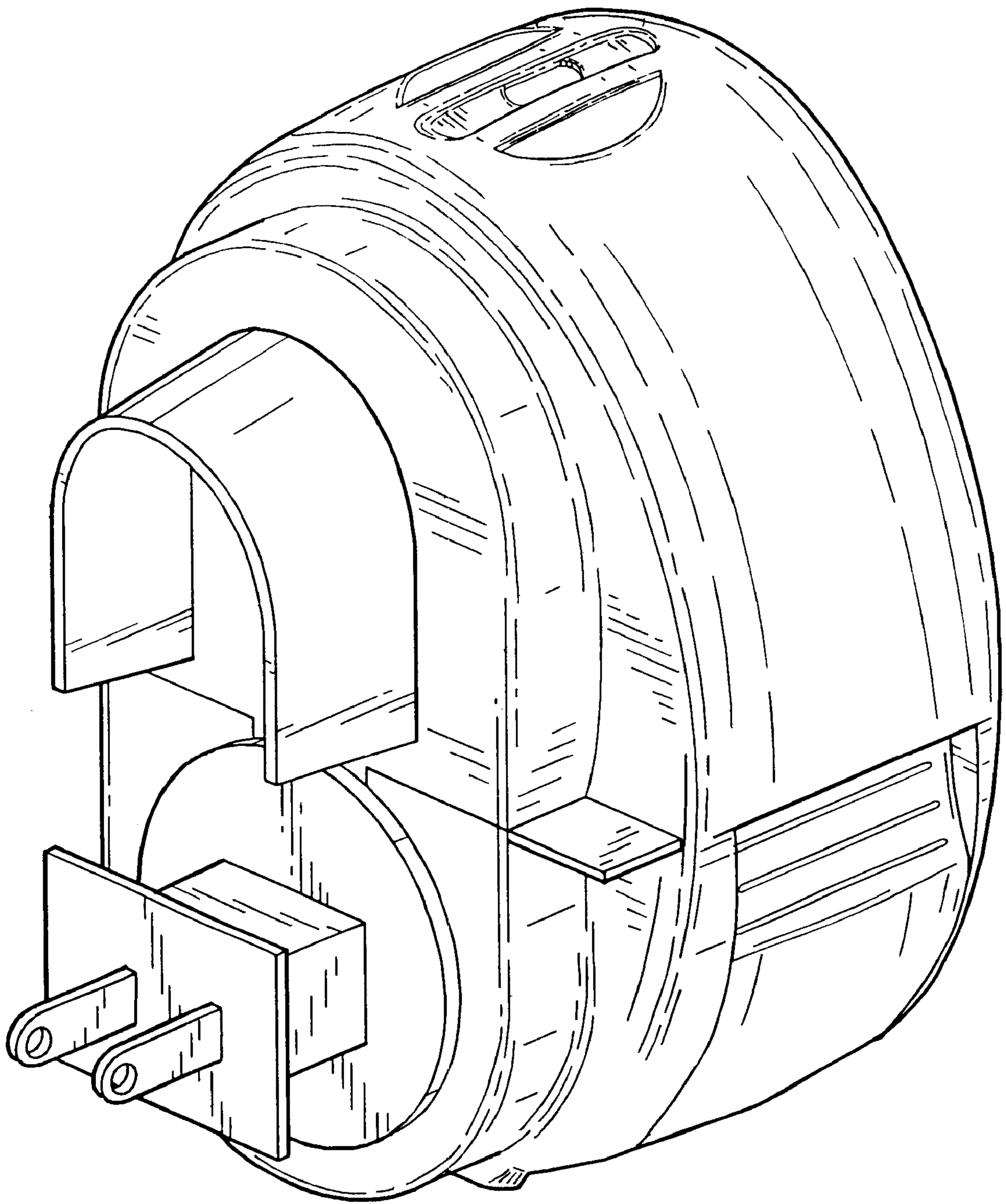


FIG. 1

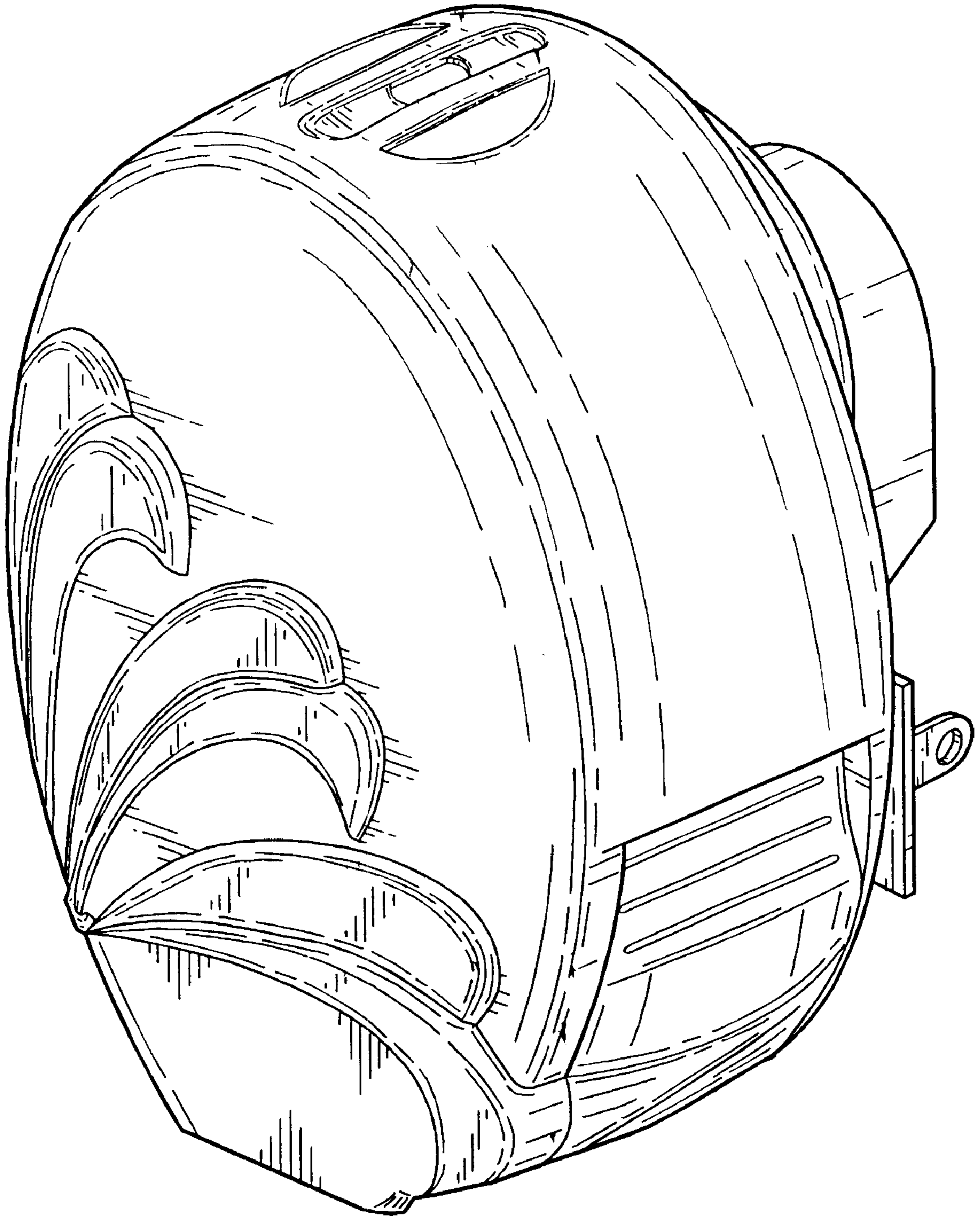


FIG.2

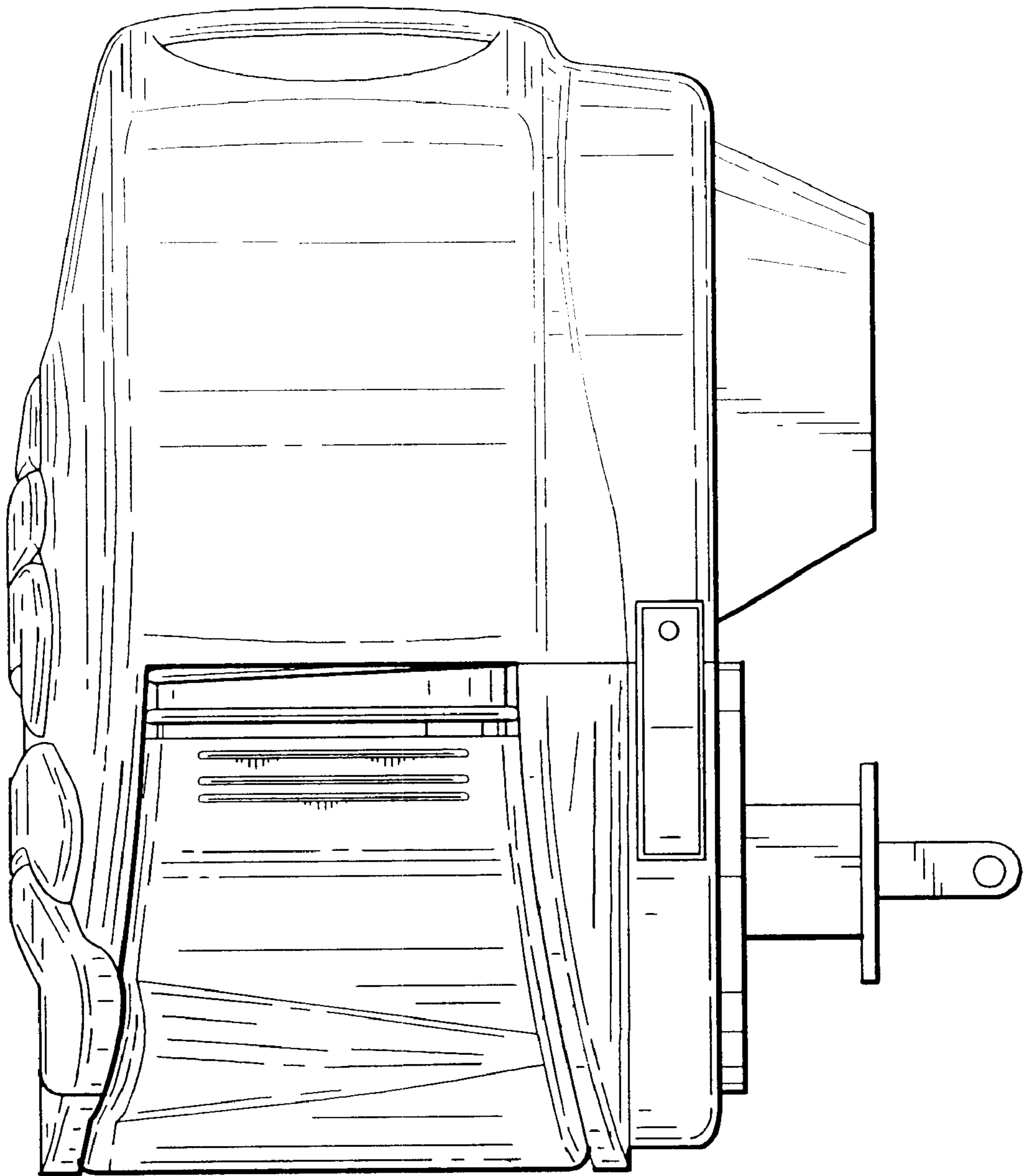


FIG. 3

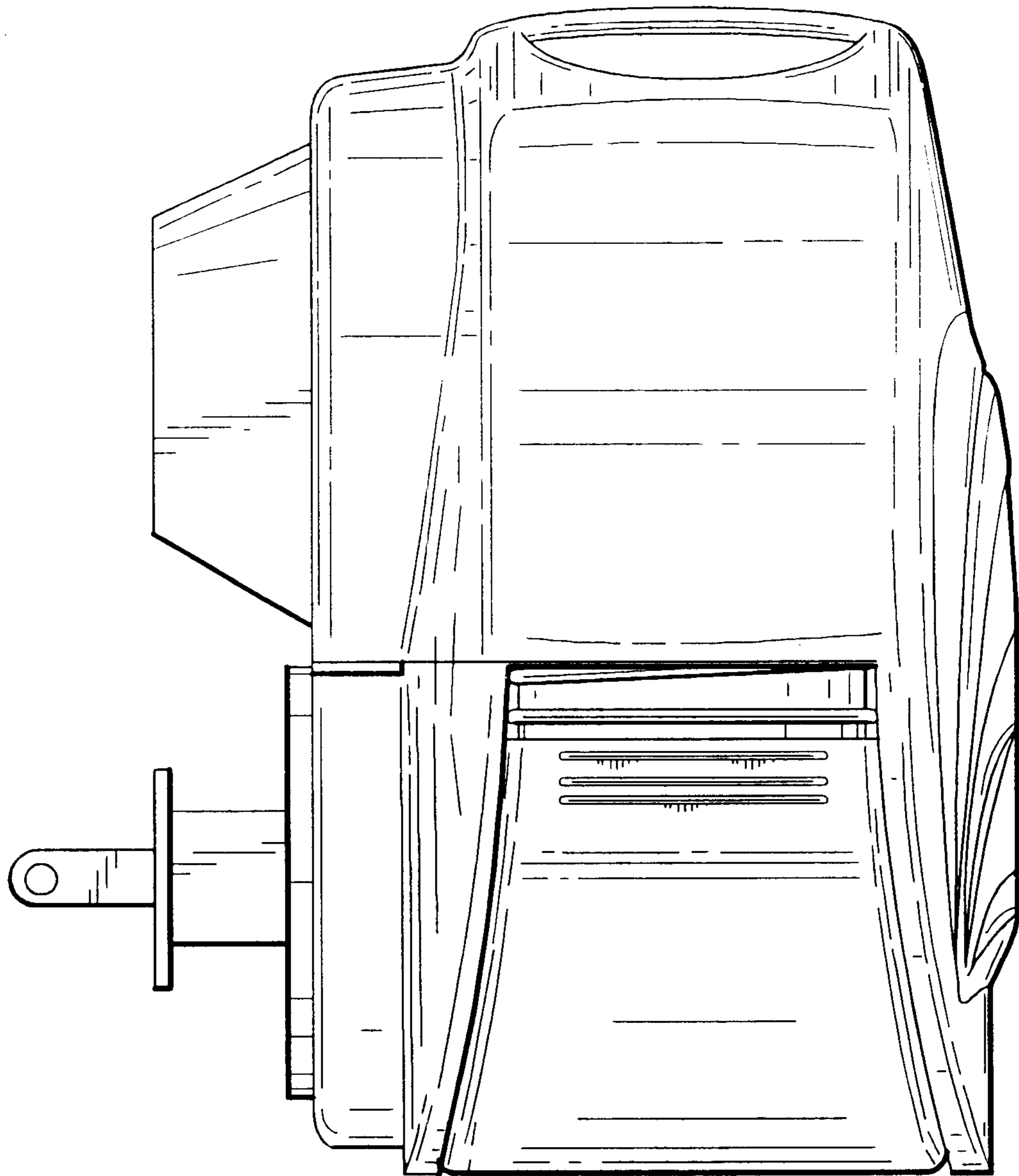


FIG.4

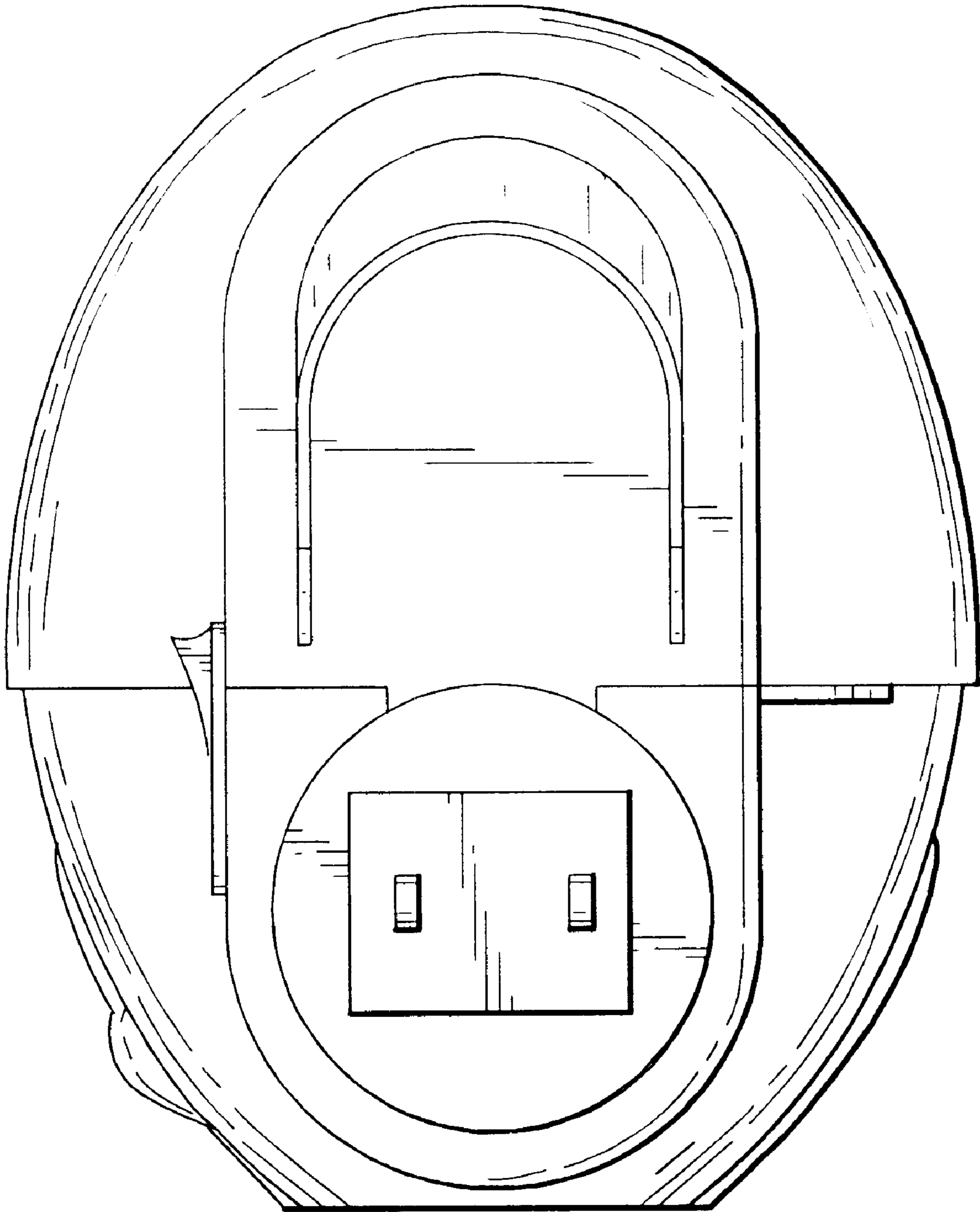


FIG.5

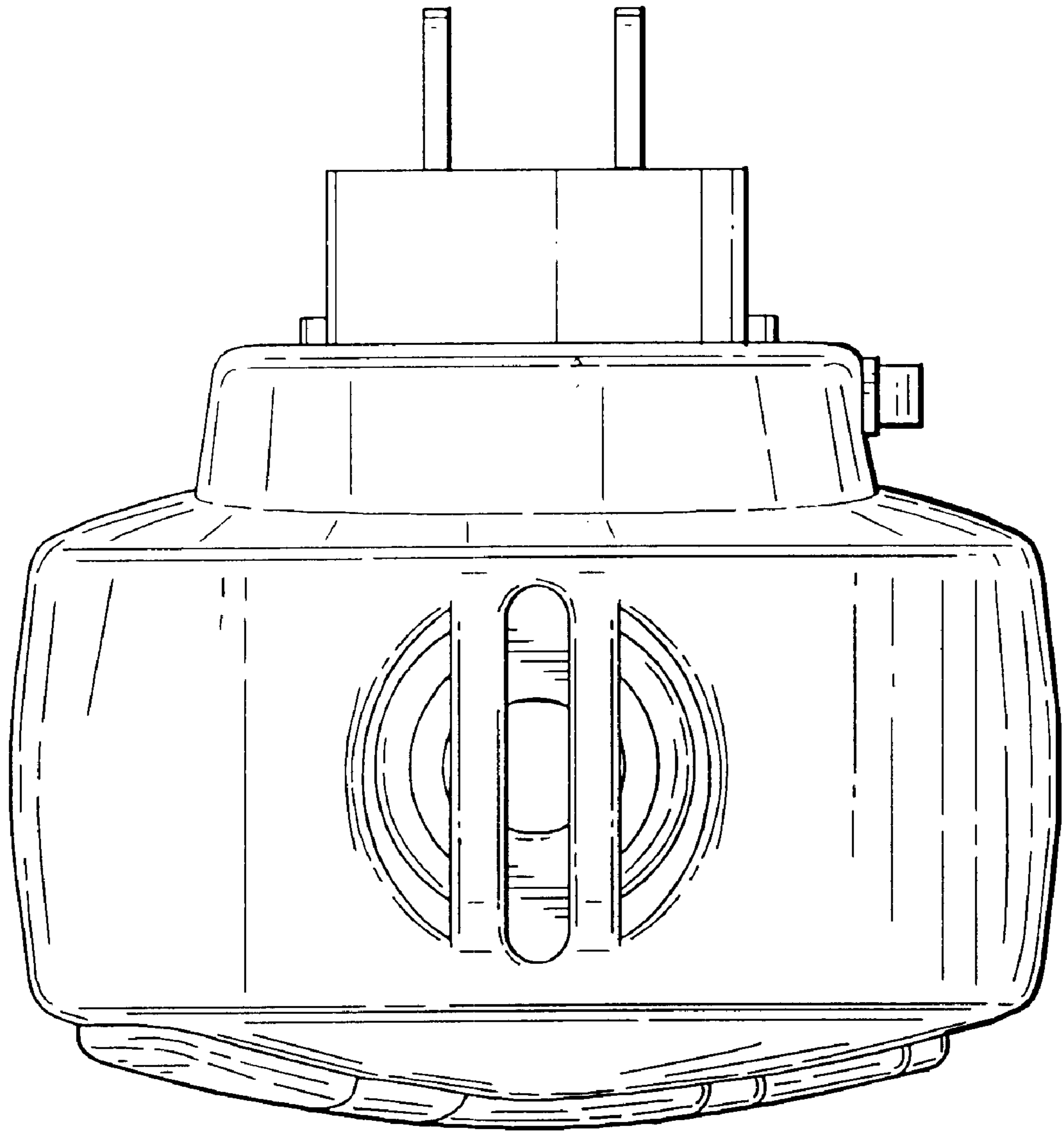


FIG. 6