



US00D466202S

(12) **United States Design Patent** (10) **Patent No.:** **US D466,202 S**
Tse (45) **Date of Patent:** **** Nov. 26, 2002**

- (54) **SHOWERHEAD SUPPORT RAIL**
- (75) Inventor: **Hing Fai Tse**, New Territories (HK)
- (73) Assignee: **Brand New Technology, Ltd.**,
Kowloon (HK)
- (**) Term: **14 Years**
- (21) Appl. No.: **29/152,113**
- (22) Filed: **Dec. 18, 2001**
- (51) **LOC (7) Cl.** **23-02**
- (52) **U.S. Cl.** **D23/304**
- (58) **Field of Search** D23/270, 273,
D23/275, 280.2, 283, 303, 304, 213; 4/663,
546, 559, 576.1, 596-597, 611-612, 615;
D6/546, 549-550; 248/125.1; 285/33, 119

- D370,250 S * 5/1996 Fawcett et al. D23/213
- D385,333 S * 10/1997 Caroen et al. D23/304 X
- D439,961 S * 4/2001 Fiegl et al. D23/304
- D442,680 S * 5/2001 Chan D23/304

* cited by examiner

Primary Examiner—Louis S. Zarfaz
Assistant Examiner—Robert A Delehanty
(74) *Attorney, Agent, or Firm*—Leydig, Voit & Mayer, Ltd.

(57) **CLAIM**

The ornamental design for a showerhead support rail, as shown and described.

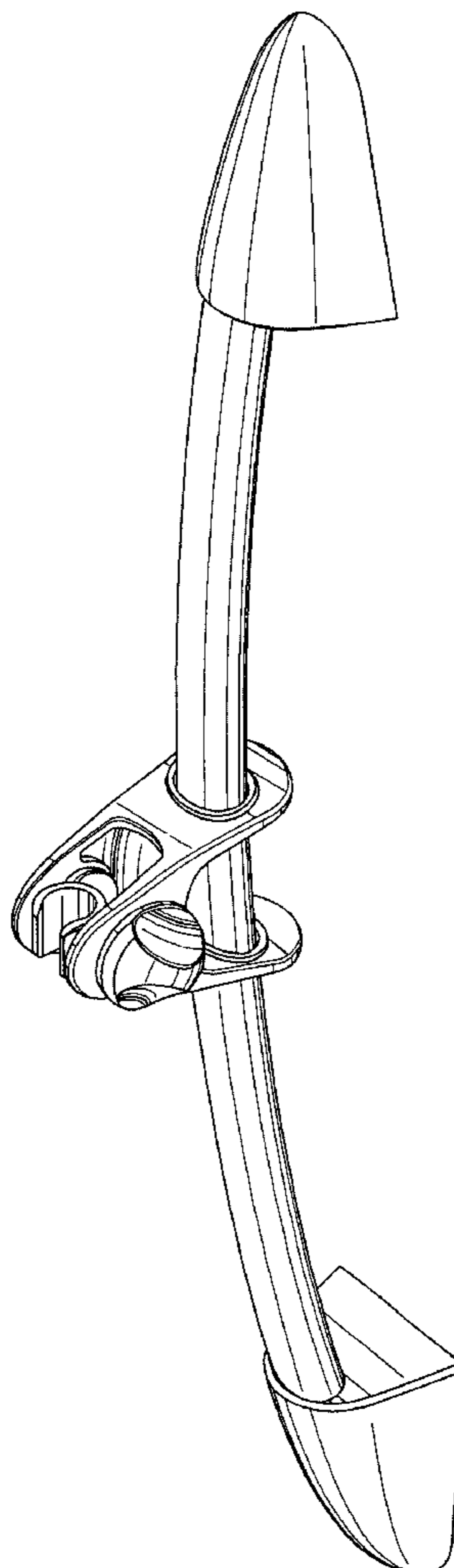
DESCRIPTION

FIG. 1 is a top, front and right side perspective view of a showerhead support rail showing my new design; FIG. 2 is left side elevational view thereof; FIG. 3 is a front elevational view thereof; FIG. 4 is a rear elevational view thereof; FIG. 5 is a top end elevational view thereof; and, FIG. 6 is a bottom end elevational view thereof.

(56) **References Cited**
U.S. PATENT DOCUMENTS

- 2,961,479 A * 11/1960 Bertling 248/125.1 X
- D327,196 S * 6/1992 Crook et al. D6/549

1 Claim, 3 Drawing Sheets



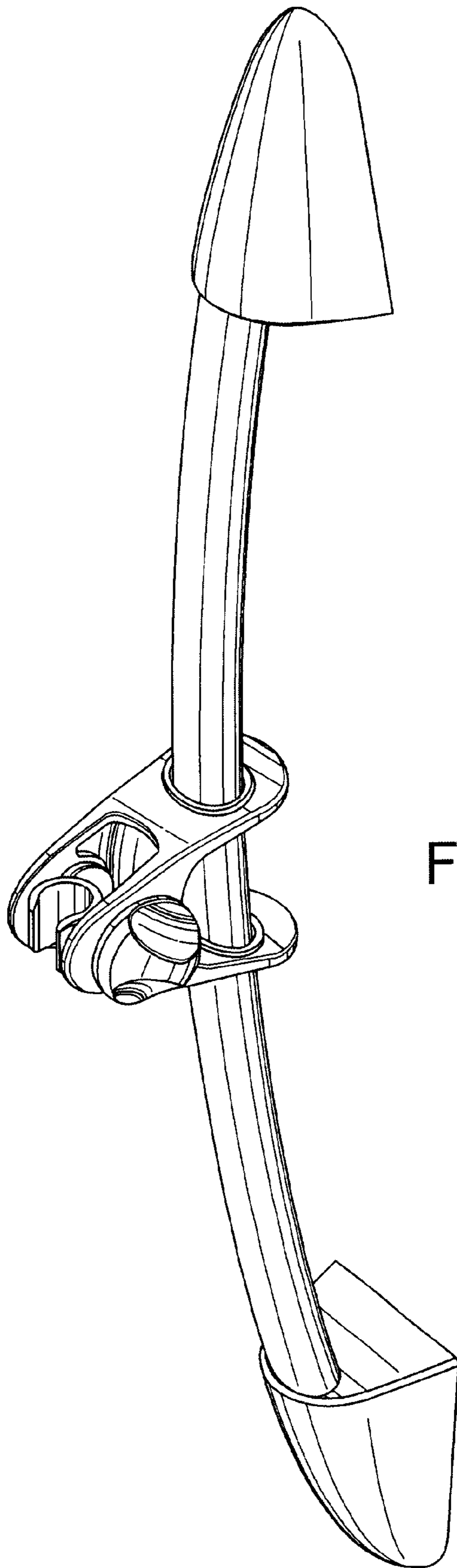


FIG. 1

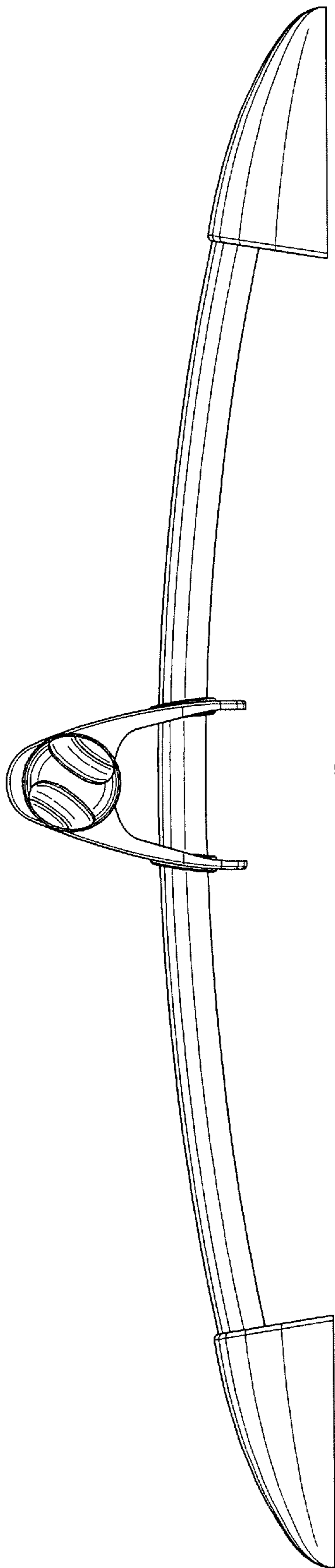


FIG. 2

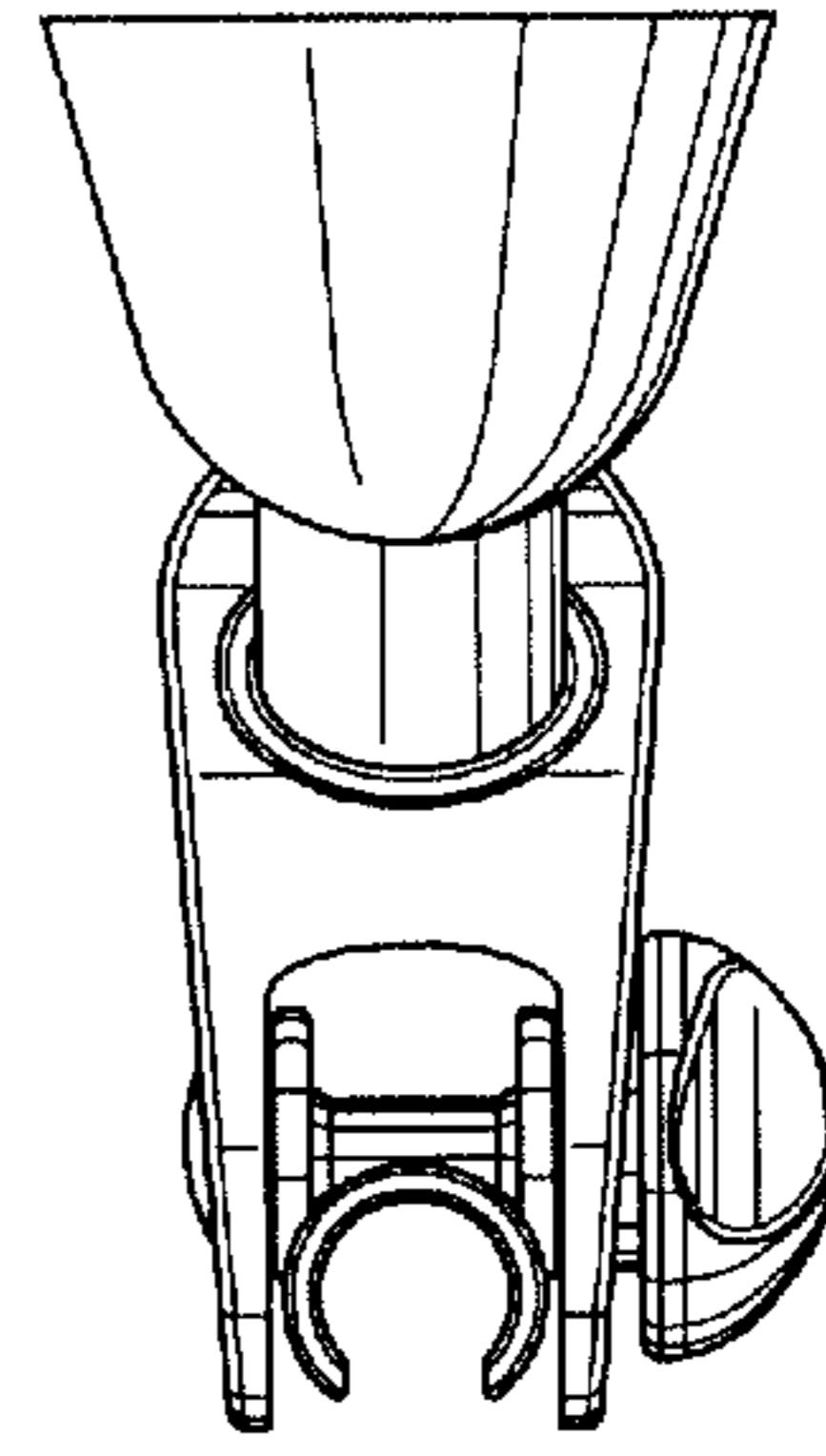


FIG. 5

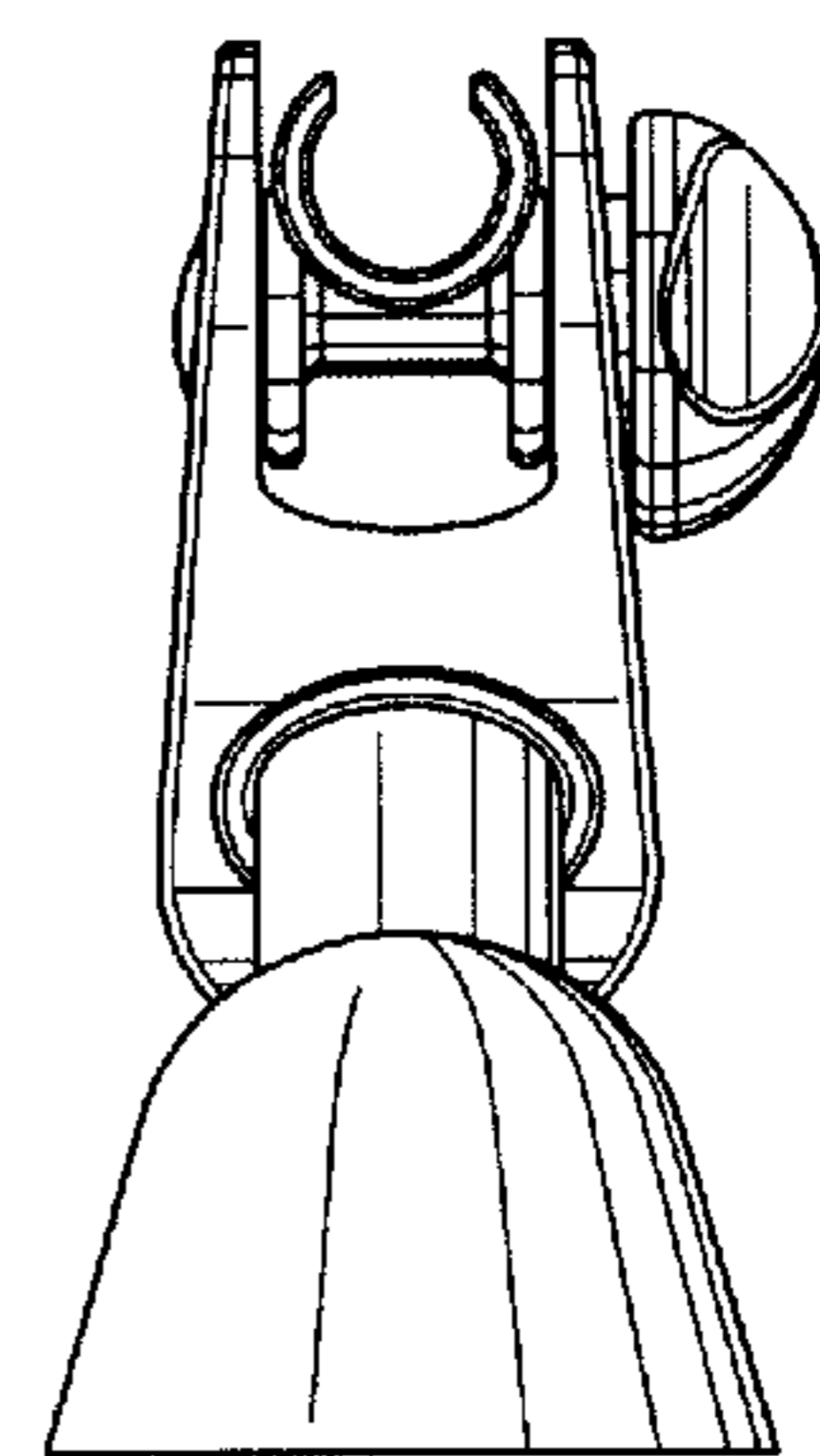


FIG. 6

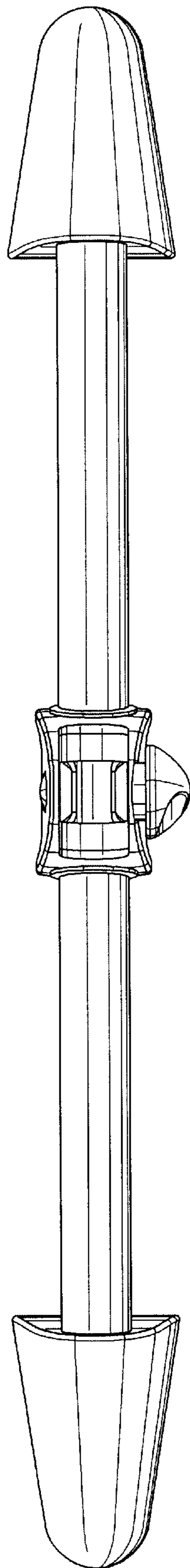


FIG. 3

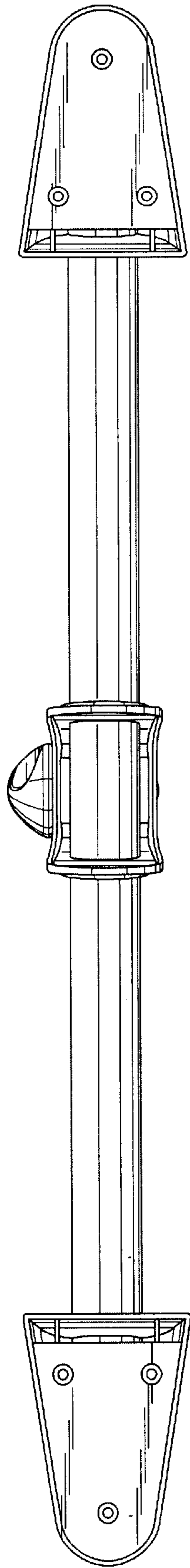


FIG. 4