



US00D466199S

(12) **United States Design Patent**
Newhard

(10) **Patent No.:** **US D466,199 S**

(45) **Date of Patent:** **** Nov. 26, 2002**

(54) **ANTI-VORTEX SAFETY COVER FOR A DRAIN**

(75) **Inventor:** **Harry W. Newhard, St. Louis, MO (US)**

(73) **Assignee:** **World Wide Sports, L.L.C., St. Louis, MO (US)**

(**) **Term:** **14 Years**

(21) **Appl. No.:** **29/151,220**

(22) **Filed:** **Nov. 2, 2001**

(51) **LOC (7) Cl. 23-01**

(52) **U.S. Cl. D23/261**

(58) **Field of Search D23/260, 261; 4/286, 287, 292, 498, 501, 503; 210/163-4**

(56) **References Cited**

U.S. PATENT DOCUMENTS

780,341 A	1/1905	Horner	
3,212,416 A	* 10/1965	Boersma	4/287
3,321,080 A	5/1967	Pansini et al.	
3,378,858 A	4/1968	Jacuzzi	
3,667,611 A	6/1972	Pansini	
D233,434 S	10/1974	Ehmke	
3,940,807 A	3/1976	Baker et al.	
4,115,878 A	9/1978	Johnson et al.	
4,170,047 A	10/1979	Corsette et al.	
D254,928 S	5/1980	Mathis	
D261,419 S	10/1981	Moreland	
4,359,190 A	11/1982	Pagano	

D275,315 S	8/1984	Sarnoff et al.	
D278,459 S	4/1985	Cook	
D286,319 S	10/1986	Mathis	
4,655,913 A	* 4/1987	Boersma	210/163
4,658,449 A	4/1987	Martin	
D319,295 S	8/1991	Ohaus	
D333,342 S	2/1993	Newhard	
5,376,264 A	12/1994	Betancourt	
5,575,903 A	* 11/1996	Kato	210/164
5,734,999 A	4/1998	Nicholas	
D399,304 S	* 10/1998	Mauk	D23/261
6,263,518 B1	* 7/2001	Newhard	4/292

* cited by examiner

Primary Examiner—Robin V. Taylor

(74) *Attorney, Agent, or Firm*—Peter S. Gilster; Greensfelder, Hemker & Gale, P.C.

(57) **CLAIM**

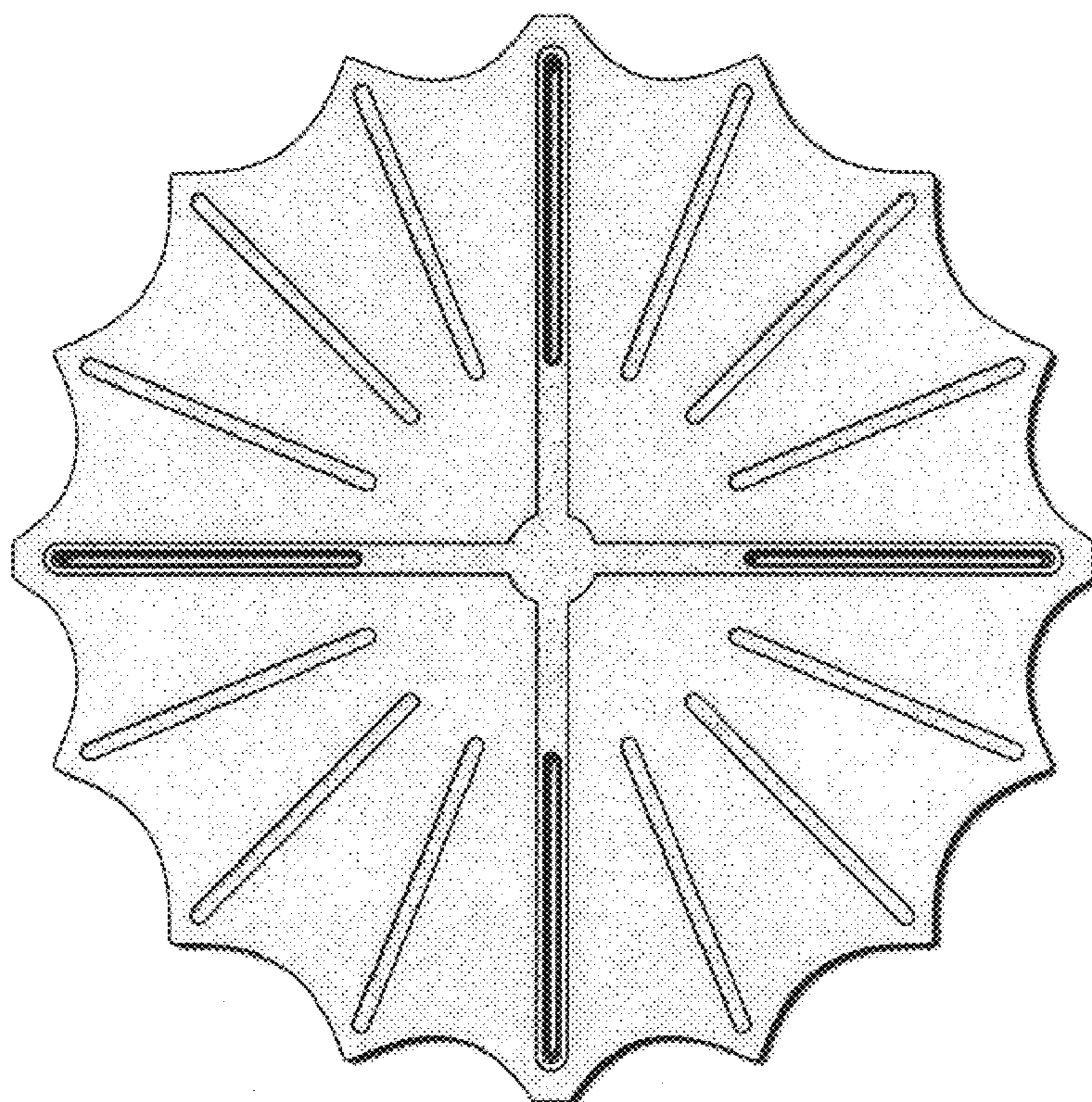
The ornamental design for an anti-vortex safety cover for a drain, as shown and described.

DESCRIPTION

FIG. 1 is a stop plan view of an anti-vortex safety cover for a drain embodying my new design; FIG. 2 is a side elevation view thereof; FIG. 3 is a bottom plan view thereof; and, FIG. 4 is a cross section thereof as taken along line 4—4 of FIG. 3.

The broken line showing is for illustrative purposes only and forms no part of the claimed design.

1 Claim, 2 Drawing Sheets



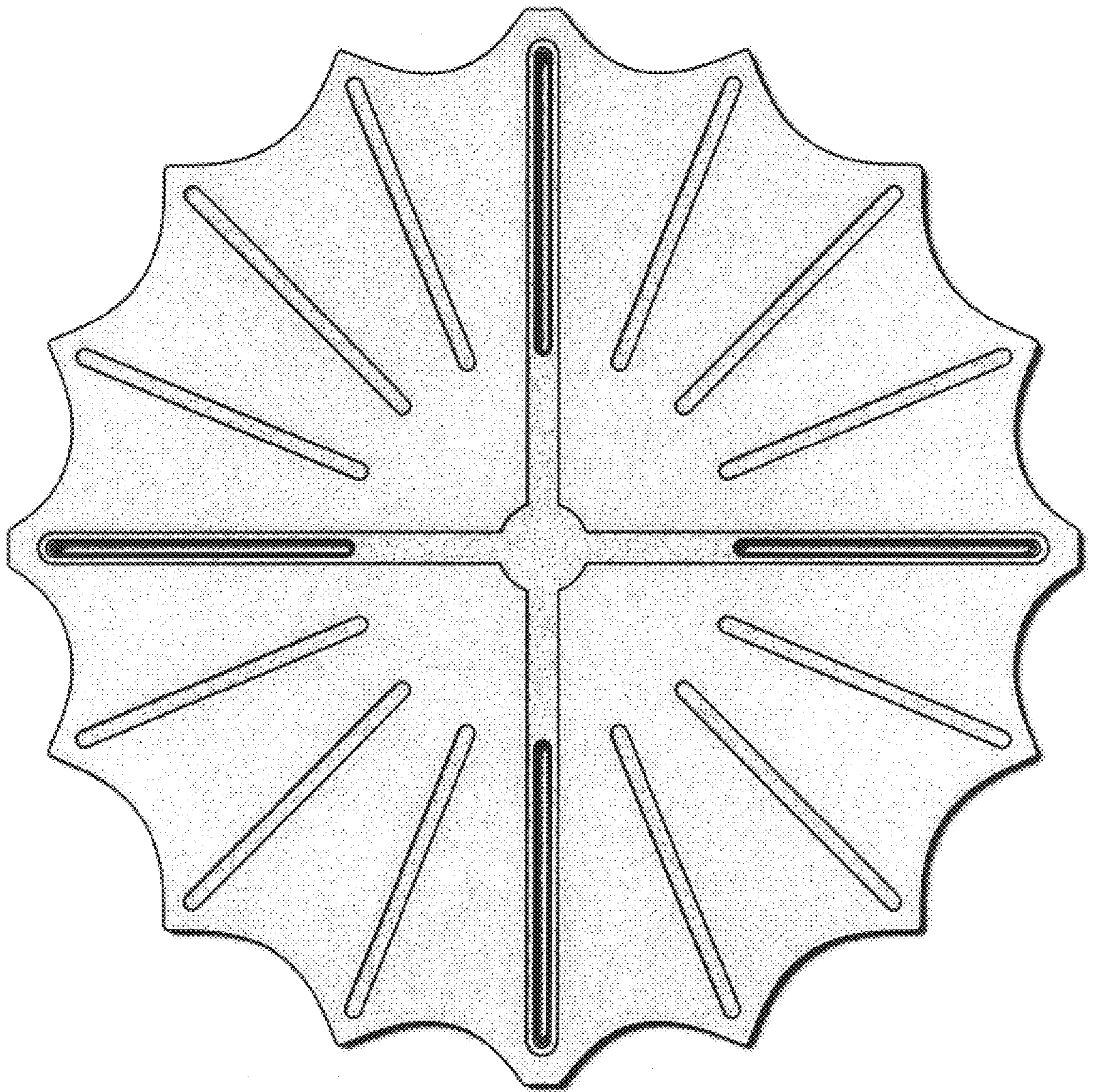


FIG. 1

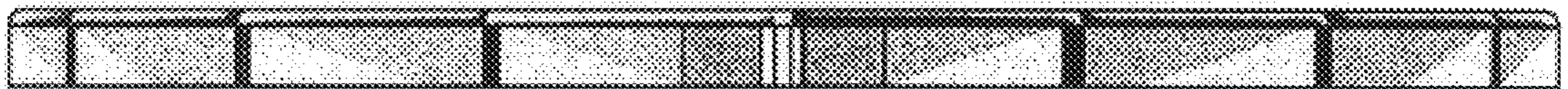


FIG. 2

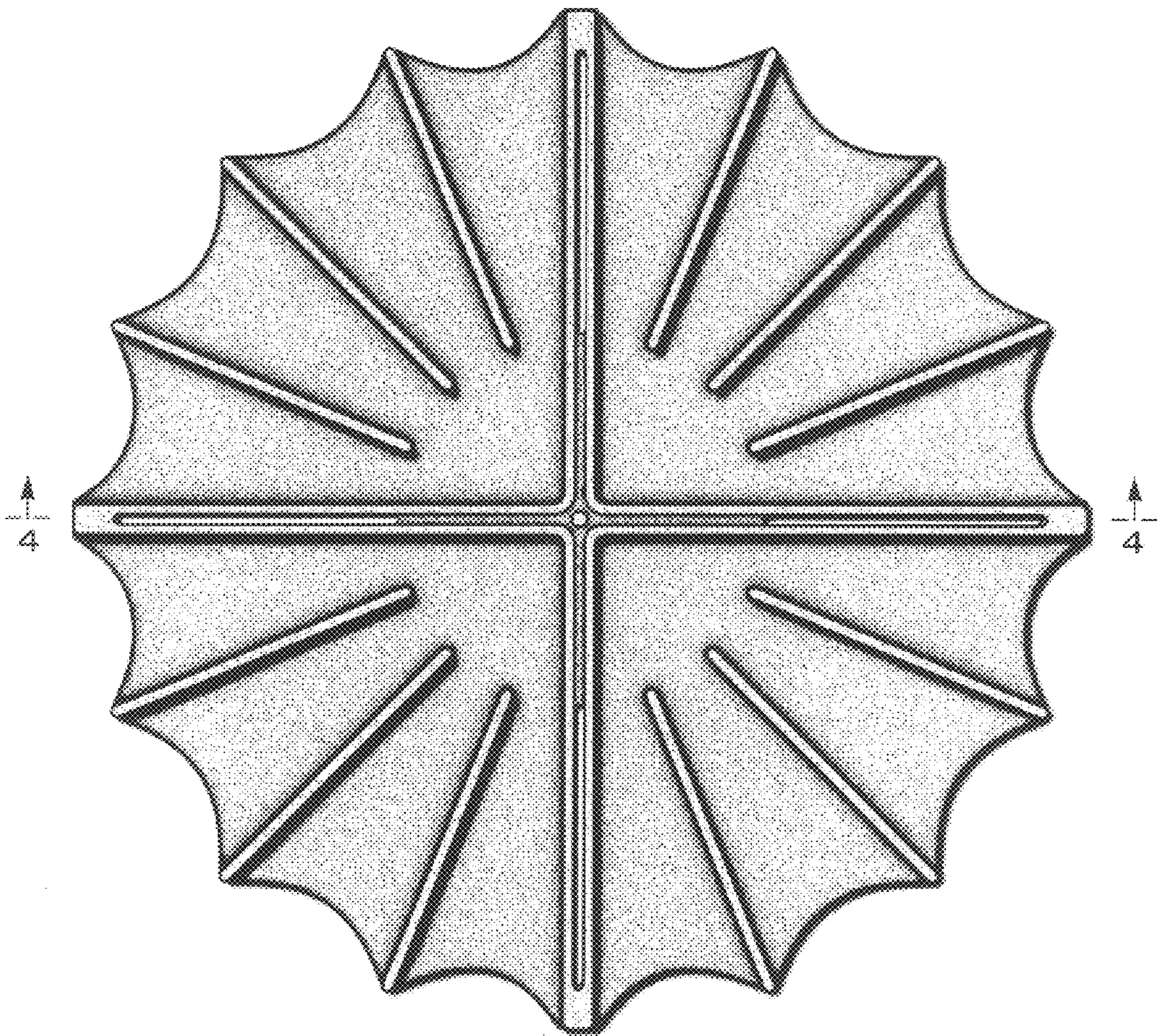


FIG. 3

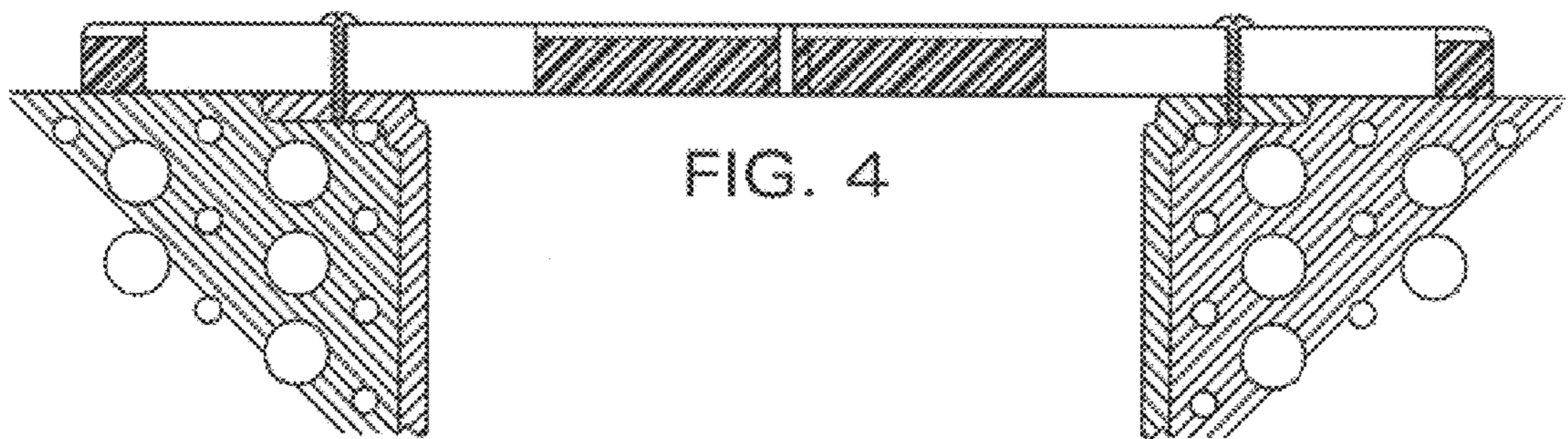


FIG. 4