



US00D466196S

(12) **United States Design Patent**
Otero et al.

(10) **Patent No.:** **US D466,196 S**

(45) **Date of Patent:** **** Nov. 26, 2002**

(54) **SPOUT**

D448,453 S * 9/2001 Lord D23/241

(75) Inventors: **Federico G. Otero**, Carmel, IN (US);
Anthony G. Spangler, Greensburg, IN (US)

* cited by examiner

Primary Examiner—Louis S. Zarfes

Assistant Examiner—Gregory Andoll

(73) Assignee: **Masco Corporation of Indiana**,
Indianapolis, IN (US)

(74) *Attorney, Agent, or Firm*—Myron B. Kapustij; Lloyd D. Doigan

(**) Term: **14 Years**

(57) **CLAIM**

The ornamental design for a spout, as shown and described.

(21) Appl. No.: **29/151,975**

DESCRIPTION

(22) Filed: **Dec. 12, 2001**

(51) **LOC (7) Cl.** **23-01**

(52) **U.S. Cl.** **D23/255**

(58) **Field of Search** D23/238–257;
4/675–678; 137/801

FIG. 1 is a rear perspective view of the spout showing our new design;

FIG. 2 is a front perspective view thereof;

FIG. 3 is a right side elevational view thereof;

FIG. 4 is a left side elevational view thereof;

FIG. 5 is a rear elevational view thereof;

FIG. 6 is a front elevational view thereof;

FIG. 7 is a top plan view thereof; and,

FIG. 8 is a bottom plan view thereof.

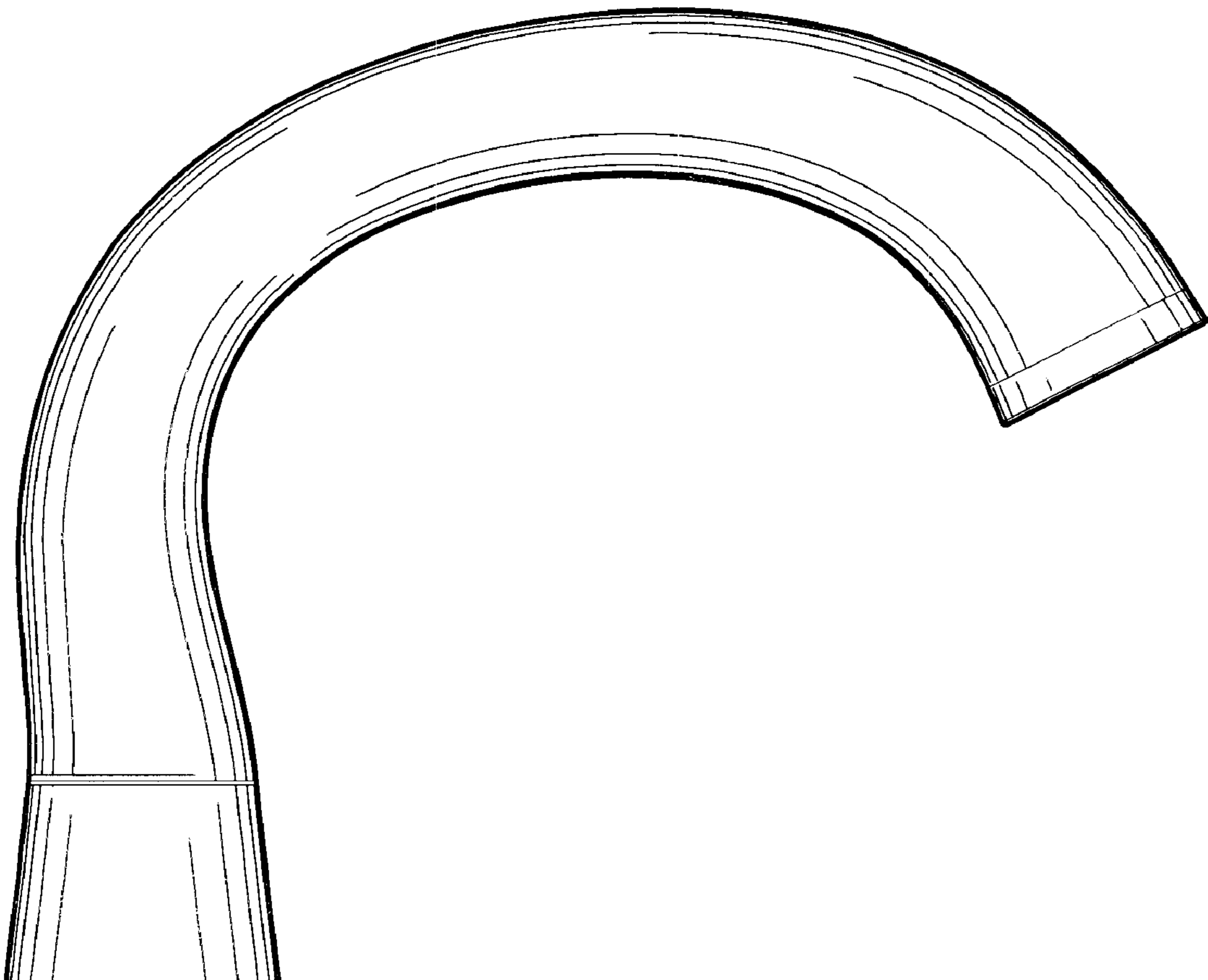
The broken line showing of the spout tip in FIG. 1 is for purposes of illustration only and forms no part of the claimed design.

(56) **References Cited**

U.S. PATENT DOCUMENTS

D267,110 S	*	11/1982	Arnolds	D23/242
D300,653 S	*	4/1989	Paul	D23/255
D356,631 S	*	3/1995	Kolada	D23/255
D416,982 S	*	11/1999	Warshawsky et al.	D23/241
D439,953 S	*	4/2001	Lord	D23/241

1 Claim, 4 Drawing Sheets



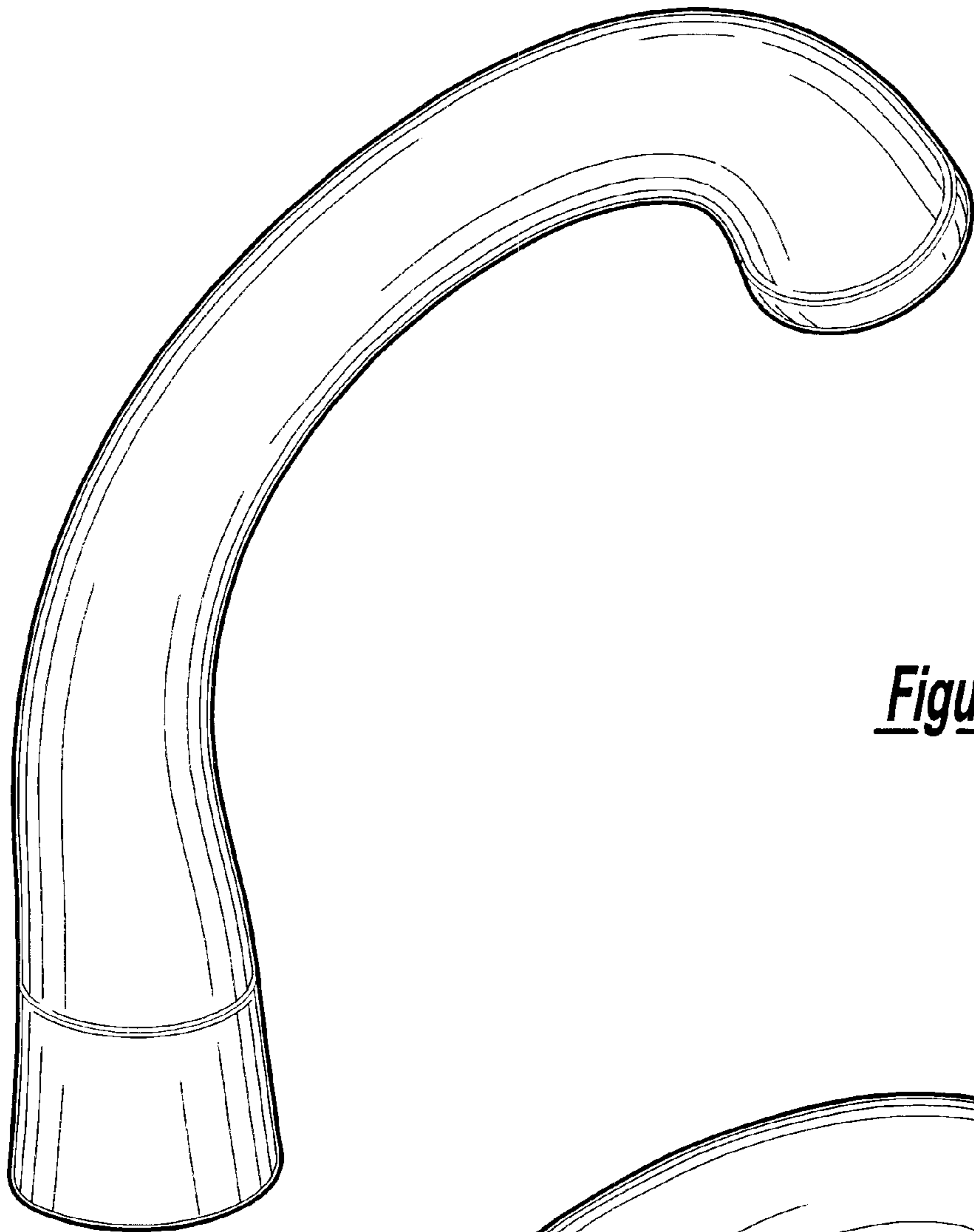


Figure - 1

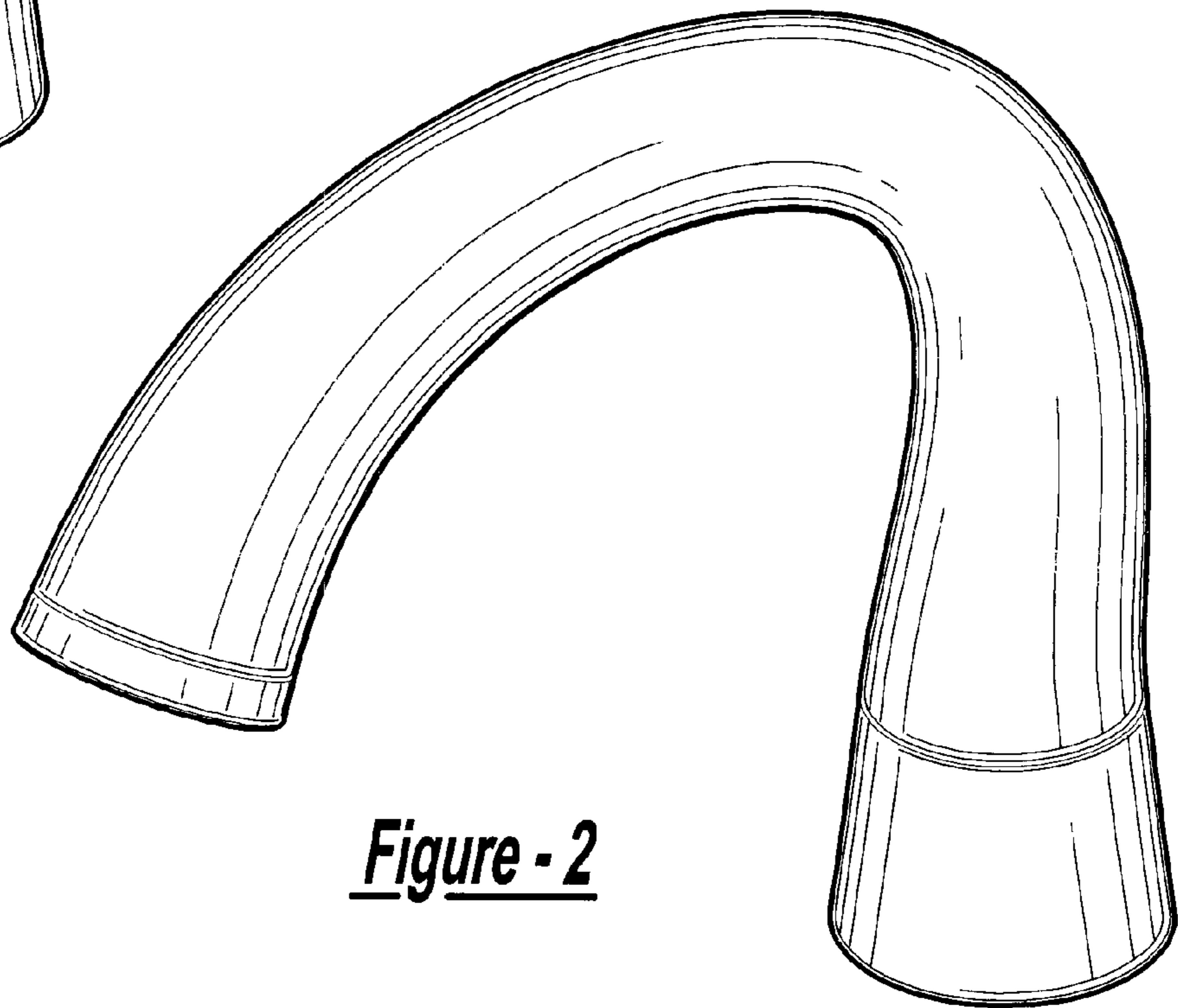


Figure - 2

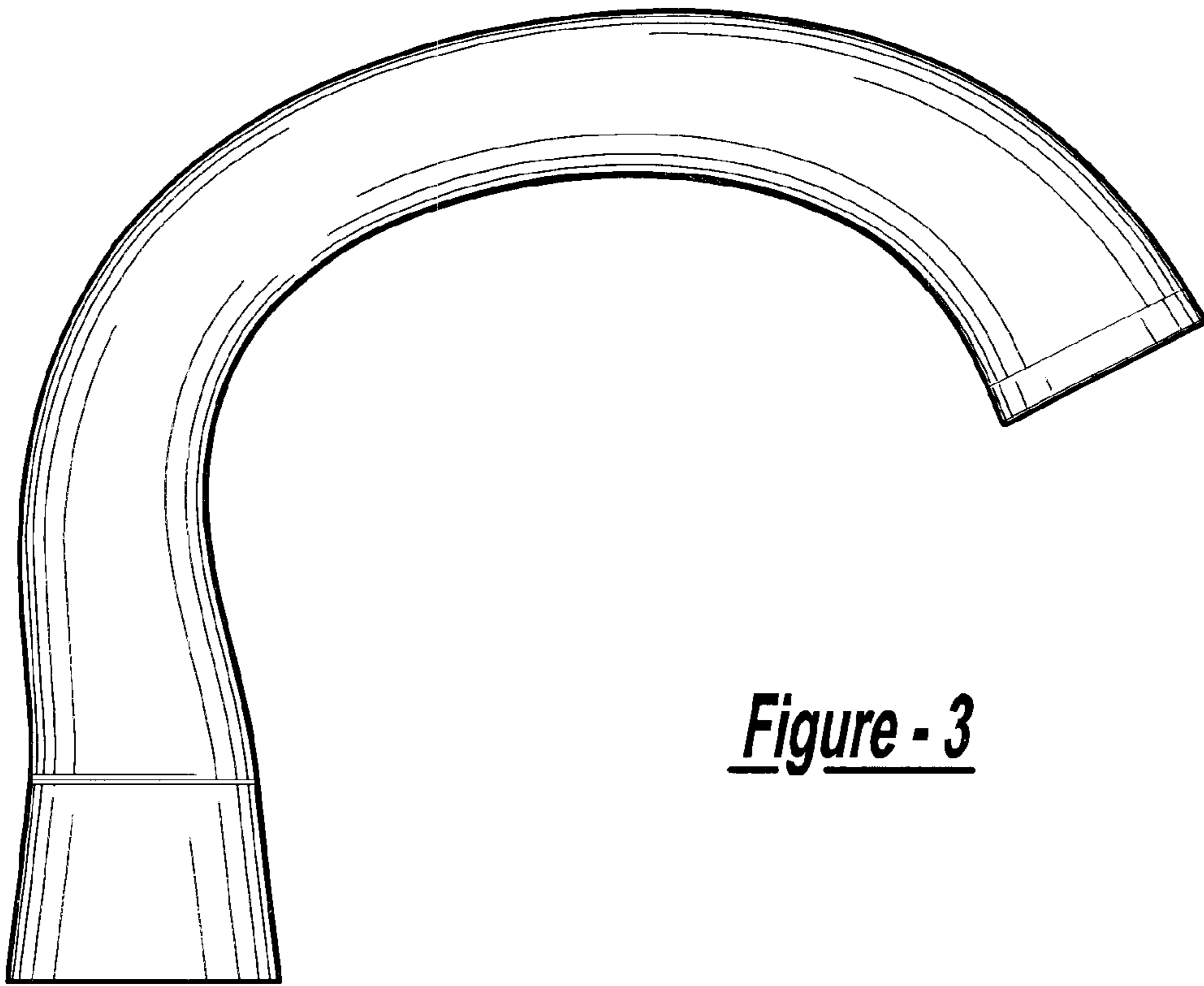


Figure - 3

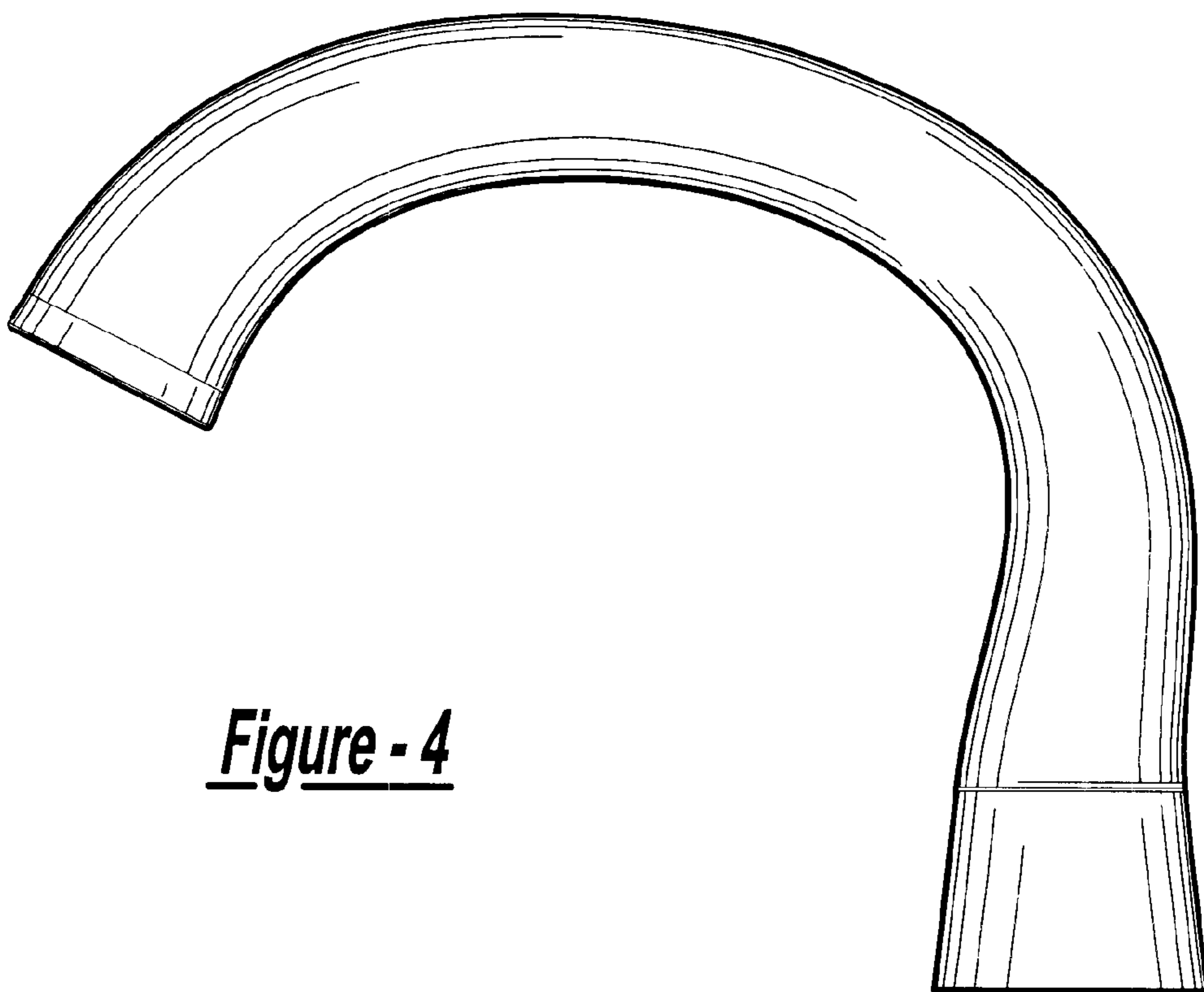


Figure - 4

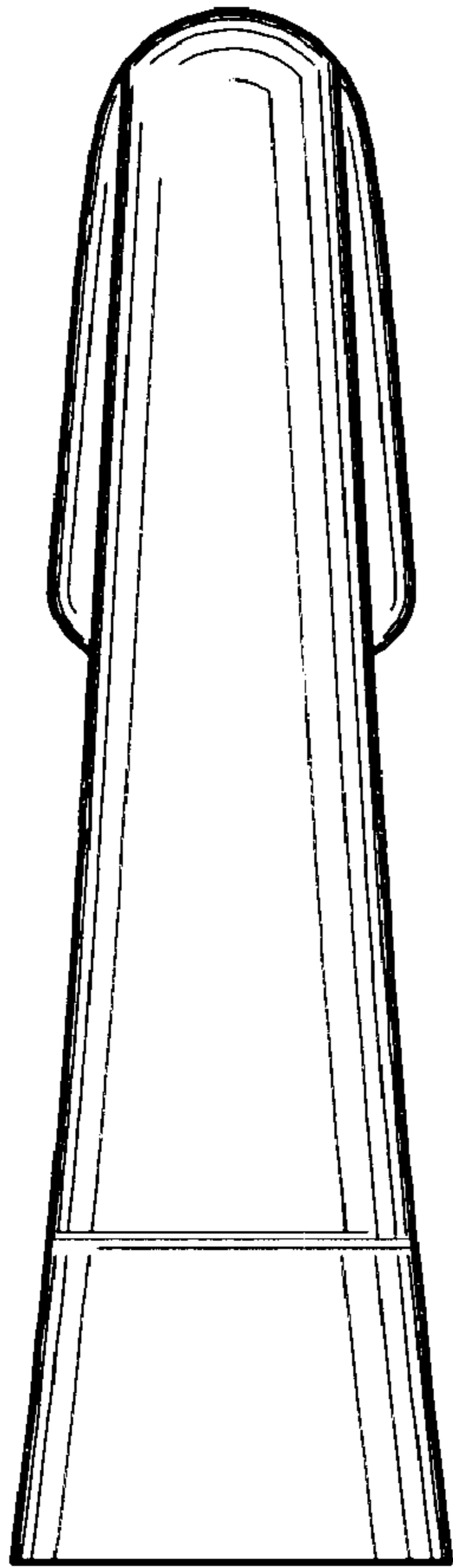


Figure - 5

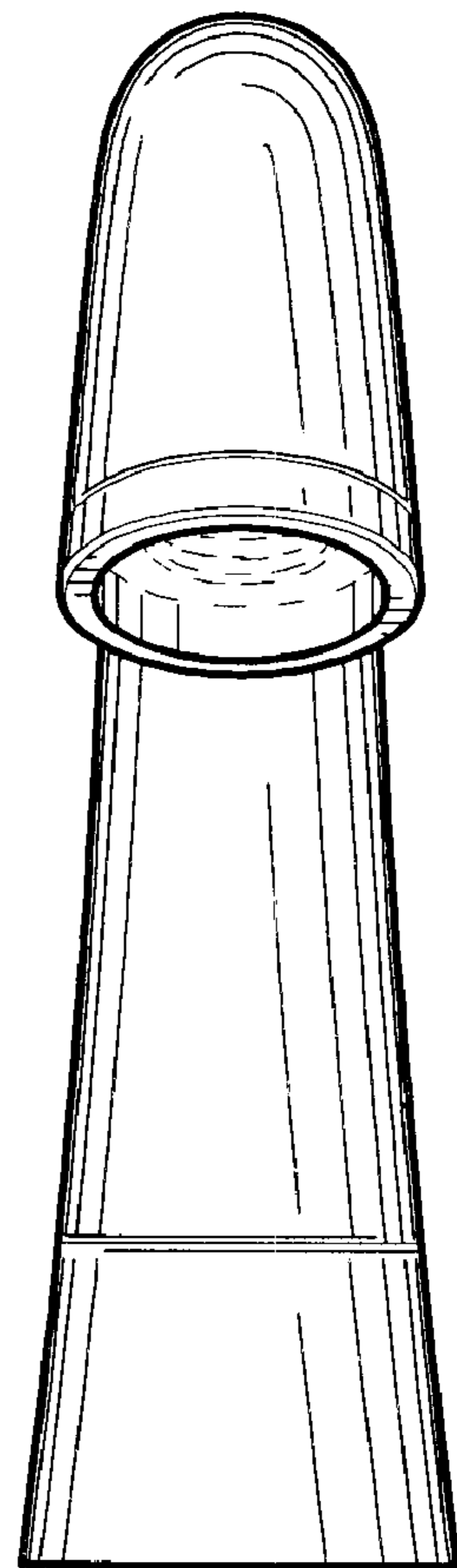


Figure - 6

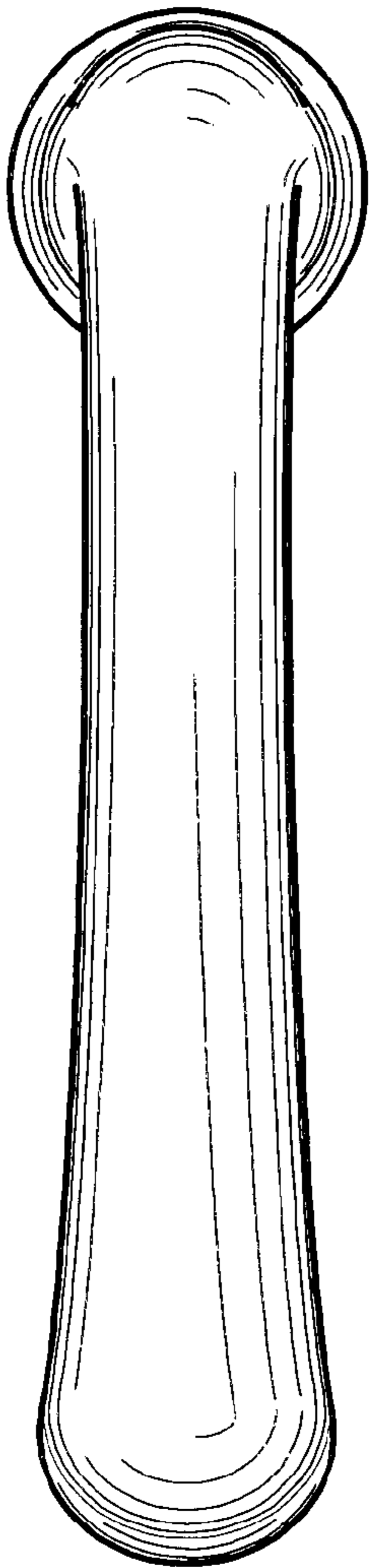


Figure - 7

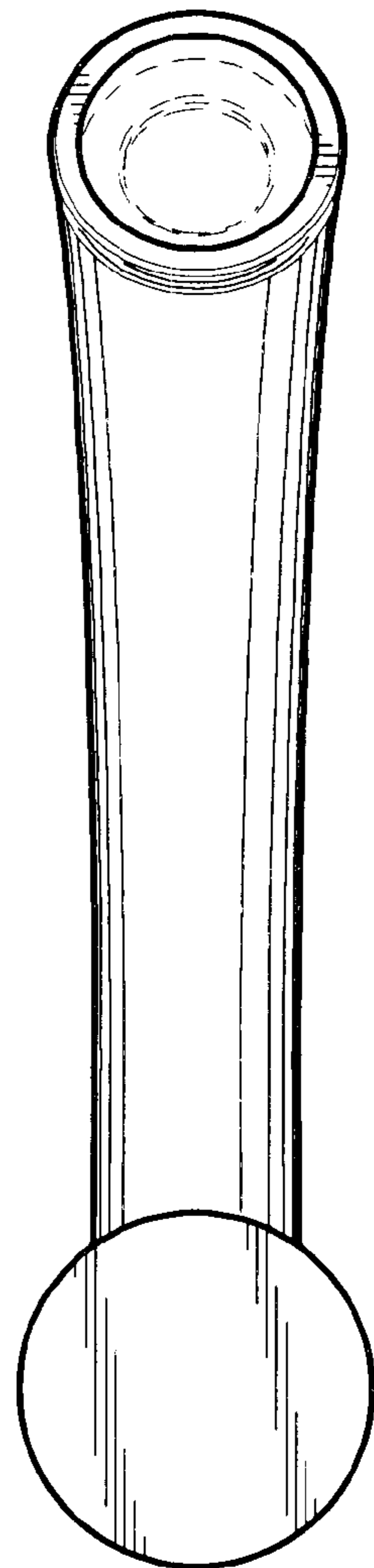


Figure - 8