



US00D466194S

(12) **United States Design Patent**
Otero et al.

(10) **Patent No.:** **US D466,194 S**

(45) **Date of Patent:** **** Nov. 26, 2002**

(54) **FAUCET**

D448,453 S * 9/2001 Lord D23/241

(75) **Inventors:** **Federico G. Otero**, Carmel, IN (US);
Anthony G. Spangler, Greensburg, IN (US)

* cited by examiner

Primary Examiner—Louis S. Zarfes

Assistant Examiner—Gregory Andoll

(73) **Assignee:** **Masco Corporation of Indiana**,
Indianapolis, IN (US)

(74) *Attorney, Agent, or Firm*—Myron B. Kapustij; Lloyd D. Doigan

(**) **Term:** **14 Years**

(57) **CLAIM**

The ornamental design for a faucet, as shown and described.

(21) **Appl. No.:** **29/152,015**

DESCRIPTION

(22) **Filed:** **Dec. 12, 2001**

(51) **LOC (7) Cl.** **23-01**

FIG. 1 is a front perspective view of the faucet showing our new design;

(52) **U.S. Cl.** **D23/242; D23/241; D23/238**

FIG. 2 is a rear perspective view thereof;

(58) **Field of Search** **D23/238-257;**

FIG. 3 is a right side elevational view thereof;

4/675-678; 137/801

FIG. 4 is a front elevational view thereof;

FIG. 5 is a top plan view thereof;

FIG. 6 is a rear elevational view thereof;

FIG. 7 is a left side elevational view thereof; and,

FIG. 8 is a bottom plan view thereof.

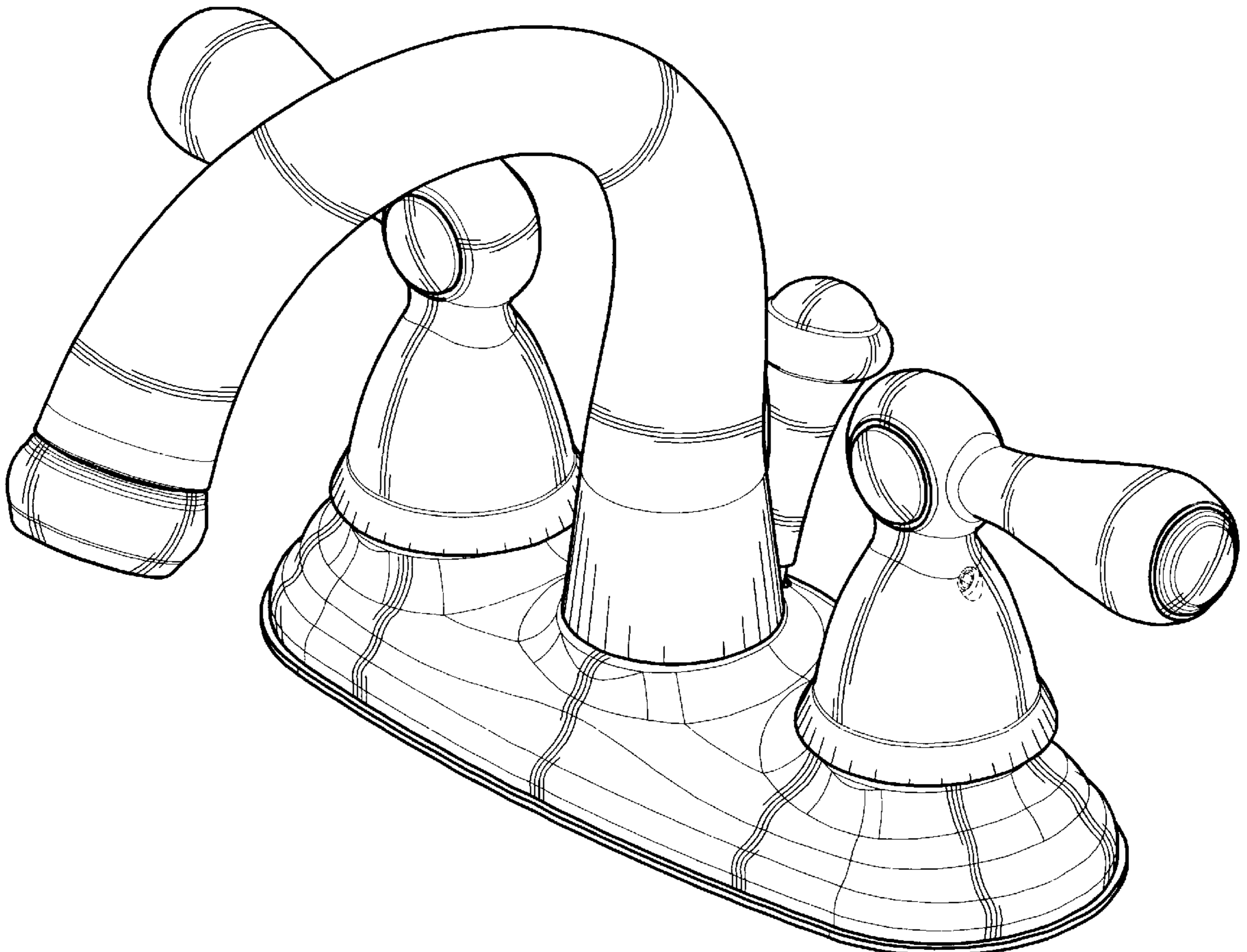
(56) **References Cited**

U.S. PATENT DOCUMENTS

| | | | | | |
|------------|---|---------|-------------------|-------|---------|
| D267,110 S | * | 11/1982 | Arnolds | | D23/242 |
| D300,653 S | * | 4/1989 | Paul | | D23/255 |
| D356,631 S | * | 3/1995 | Kolada | | D23/255 |
| D416,982 S | * | 11/1999 | Warshawsky et al. | | D23/241 |
| D439,953 S | * | 4/2001 | Lord | | D23/241 |

The broken line showing of the handle set screw in FIGS. 1-3 and 7 is for purposes of illustration only and forms no part of the claimed design.

1 Claim, 8 Drawing Sheets



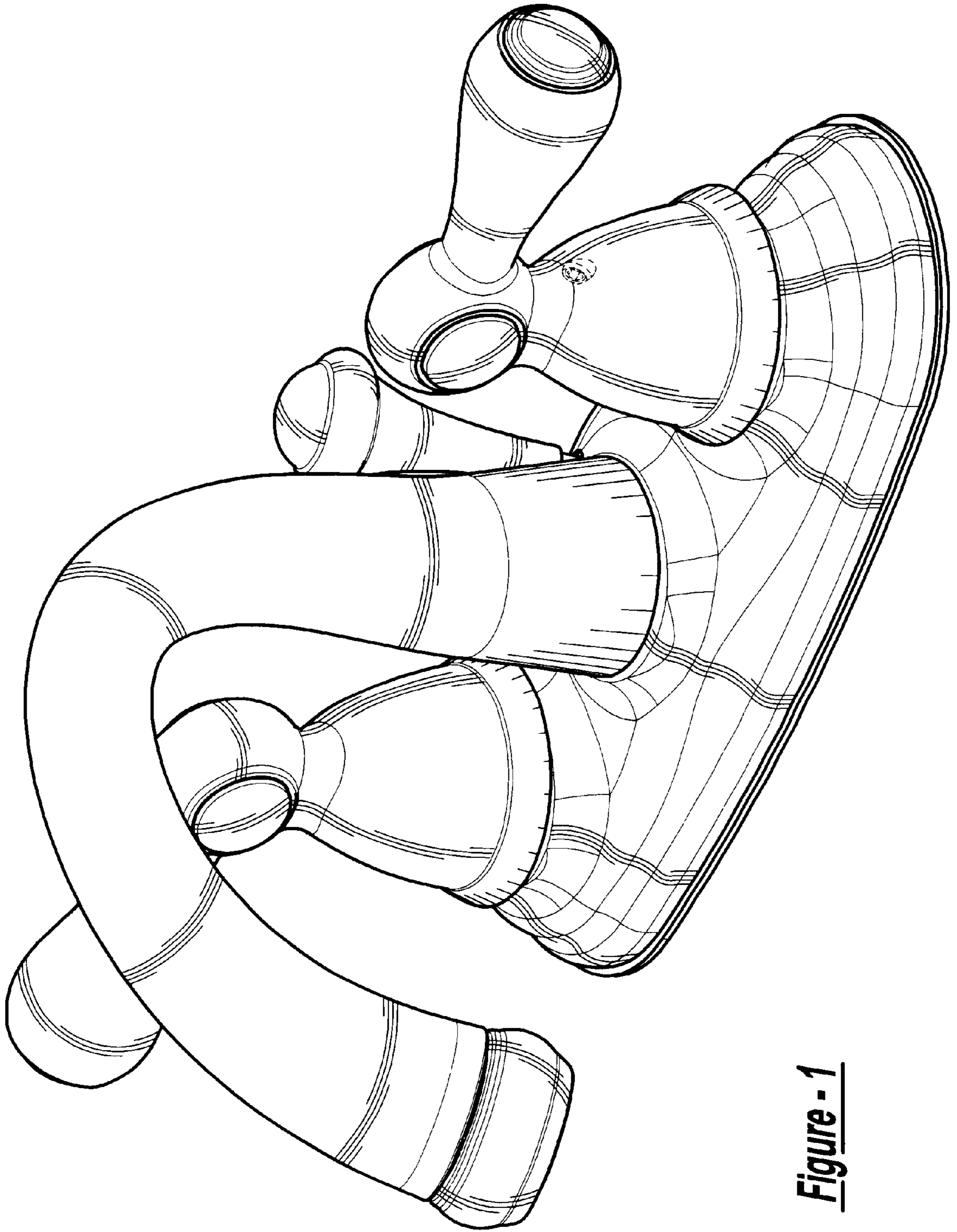
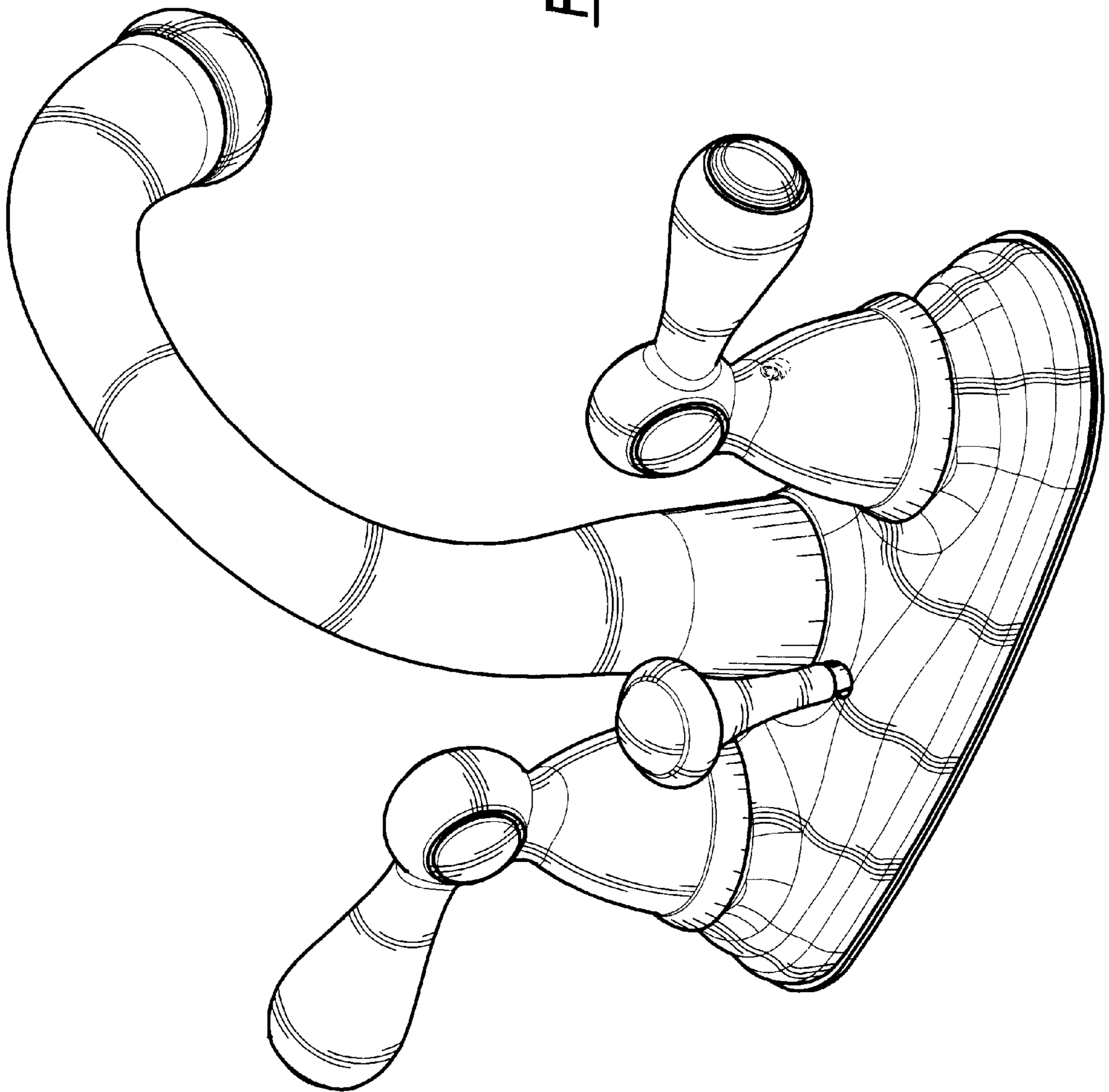


Figure - 1

Figure - 2



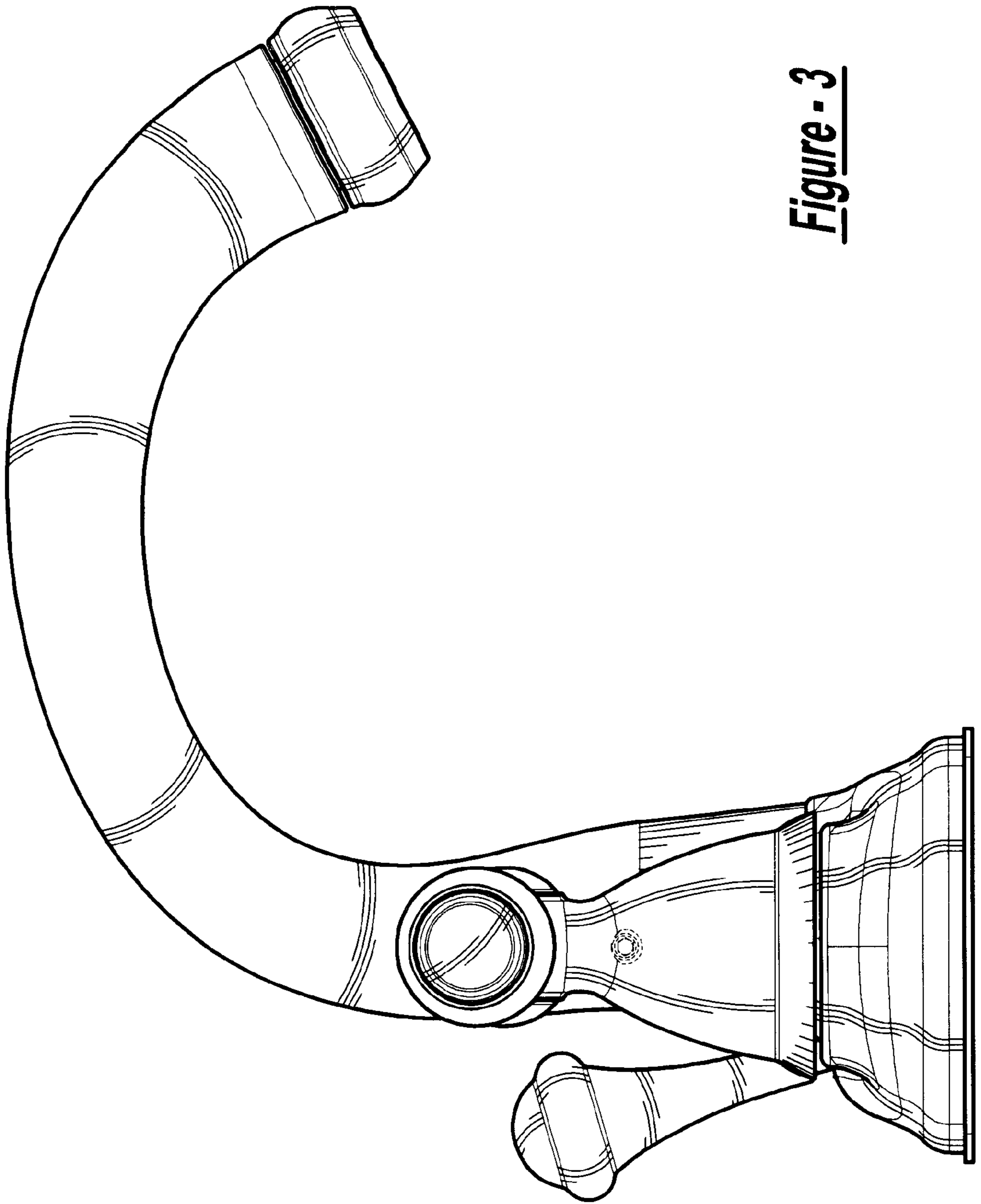
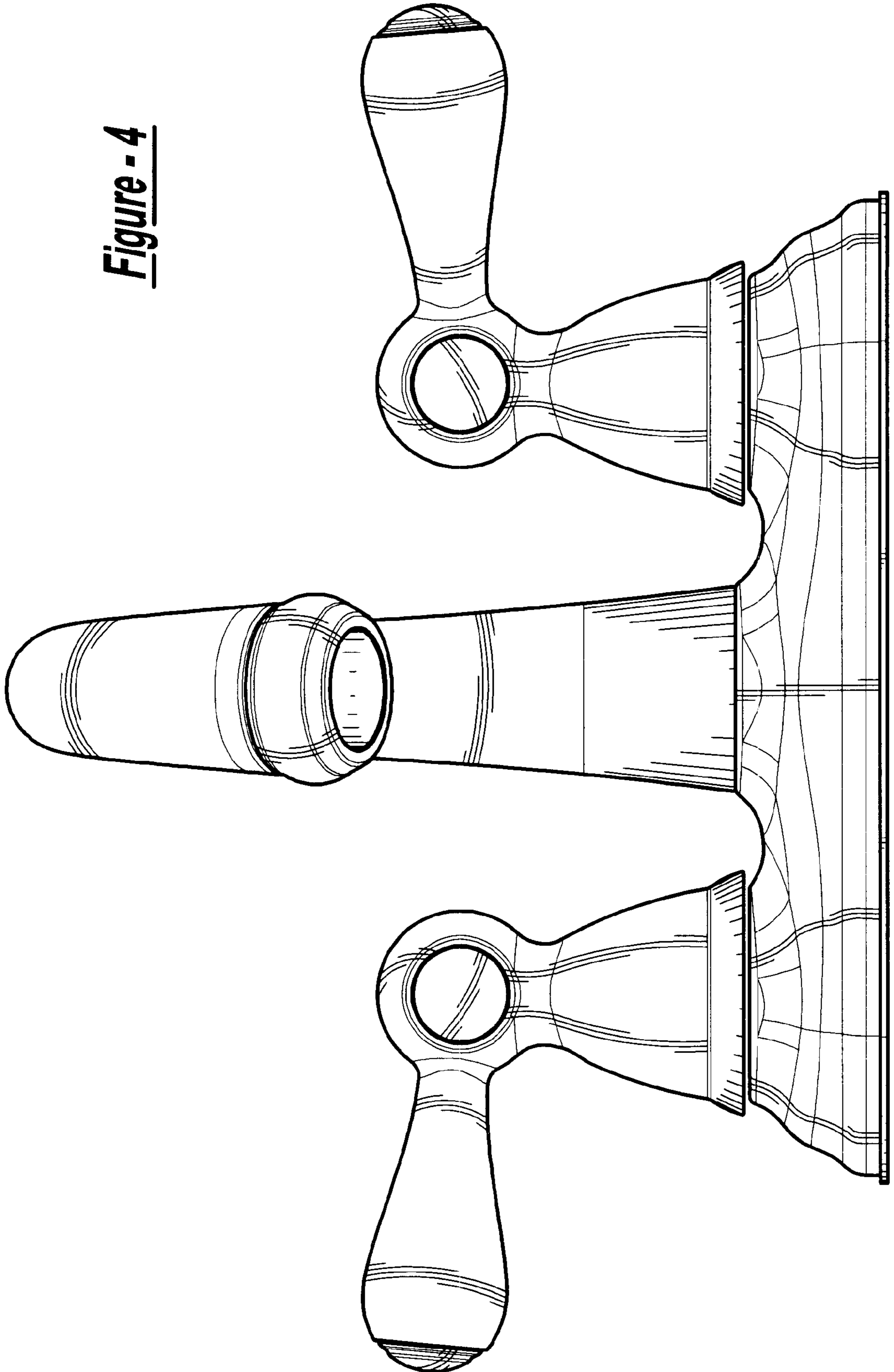


Figure - 3

Figure - 4



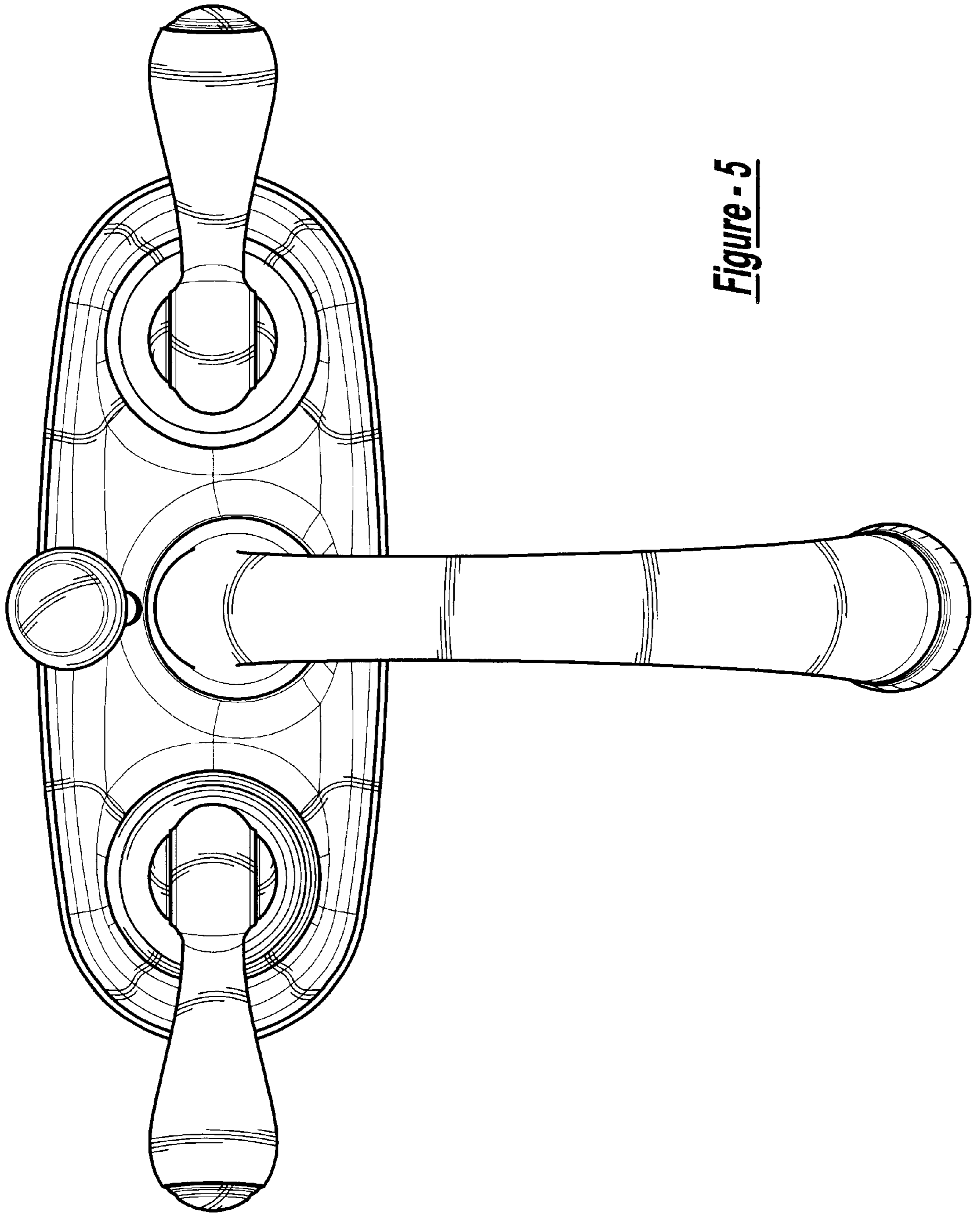


Figure - 5

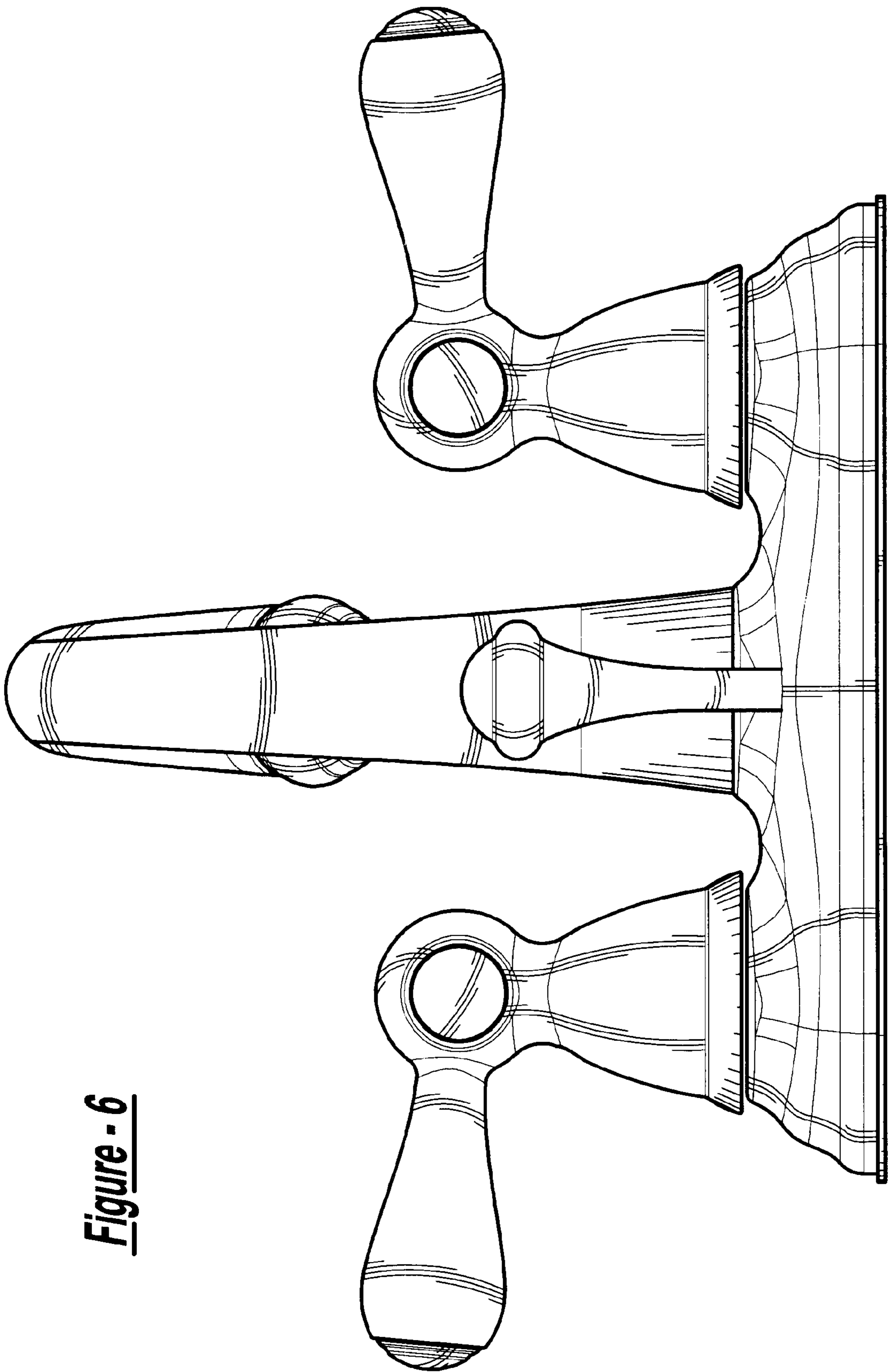


Figure - 6

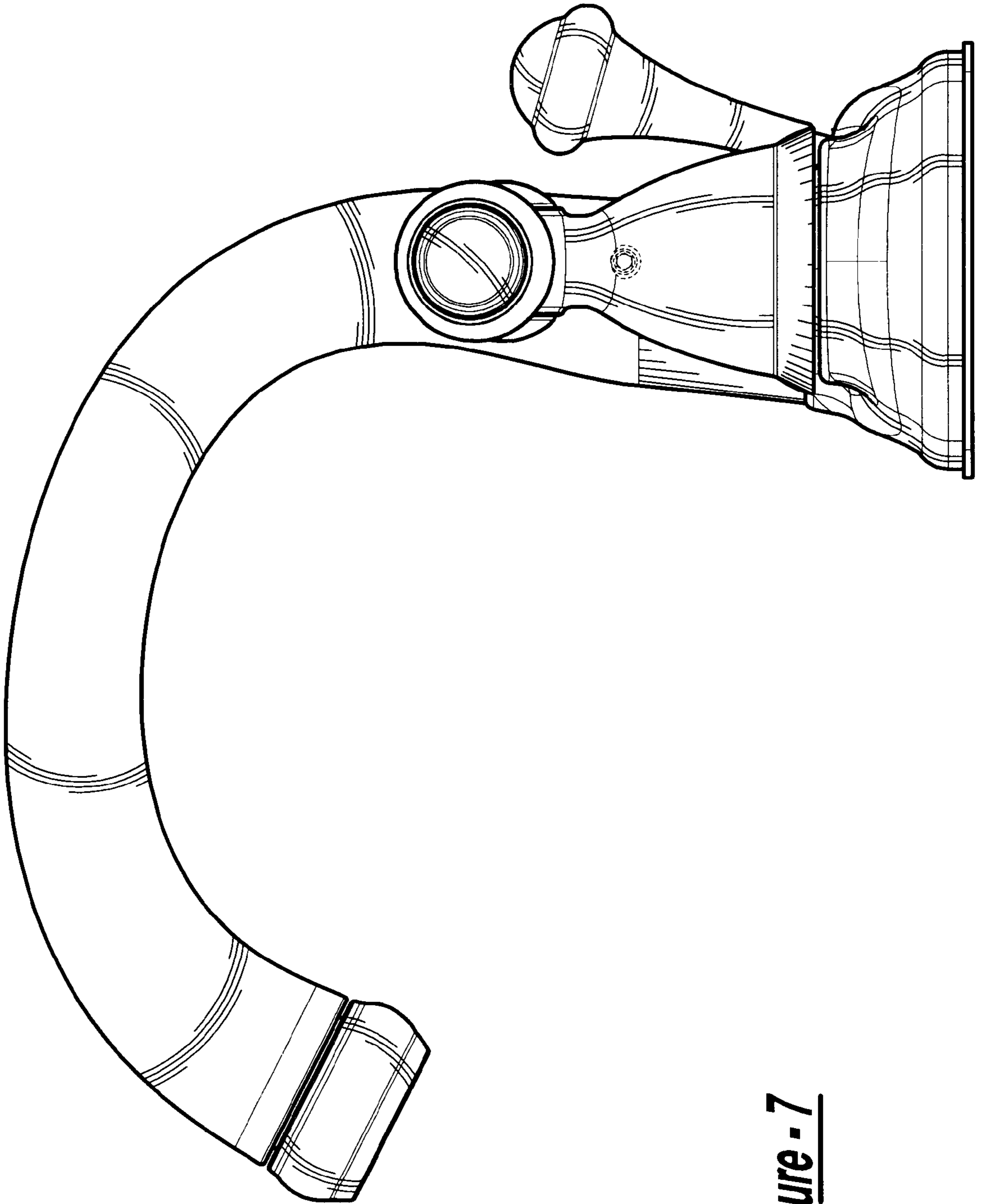


Figure - 7

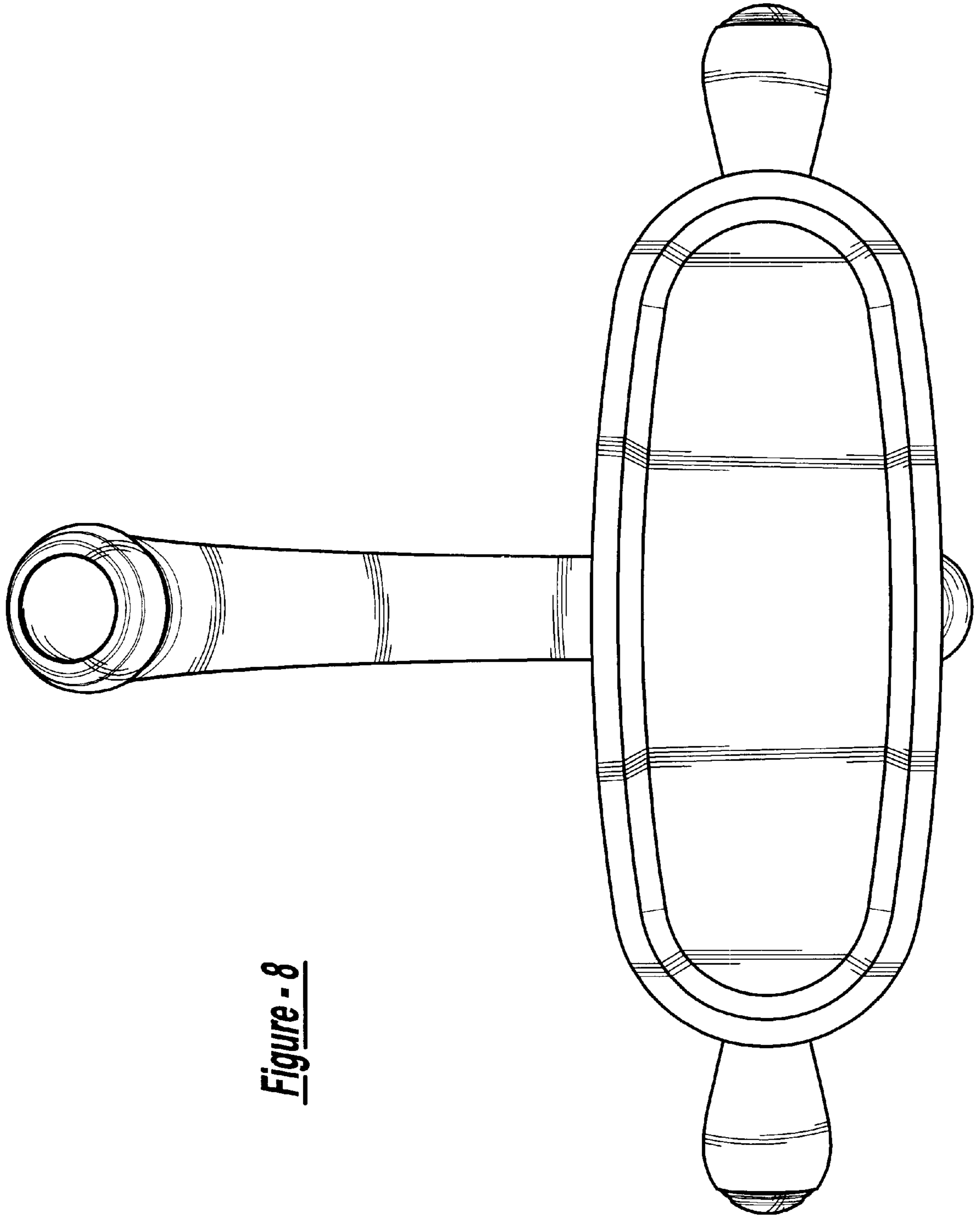


Figure - 8