



US00D466192S

(12) **United States Design Patent** (10) **Patent No.:** **US D466,192 S**  
**Otero et al.** (45) **Date of Patent:** **\*\* Nov. 26, 2002**

(54) **FAUCET CENTER SET**

(75) Inventors: **Federico G. Otero**, Carmel, IN (US);  
**Anthony G. Spangler**, Greensburg, IN (US)

(73) Assignee: **Masco Corporation of Indiana**, Indianapolis, IN (US)

(\*\*) Term: **14 Years**

(21) Appl. No.: **29/152,003**

(22) Filed: **Dec. 12, 2001**

(51) **LOC (7) Cl.** ..... **23-01**

(52) **U.S. Cl.** ..... **D23/242; D23/241; D23/230**

(58) **Field of Search** ..... **D23/238-257; 4/675-678; 137/801**

(56) **References Cited**

**U.S. PATENT DOCUMENTS**

D300,653 S	*	4/1989	Paul	.....	D23/255
D267,110 S	*	11/1992	Arnolds	.....	D23/242
D356,631 S	*	3/1995	Kolada	.....	D23/255
D416,982 S	*	11/1999	Warshawsky et al.	.....	D23/241
D439,953 S	*	4/2001	Lord	.....	D23/241
D448,453 S	*	9/2001	Lord	.....	D23/241

\* cited by examiner

*Primary Examiner*—Louis S. Zarfaz

*Assistant Examiner*—Gregory Andoll

(74) *Attorney, Agent, or Firm*—Myron B. Kapustij; Lloyd D. Doigan

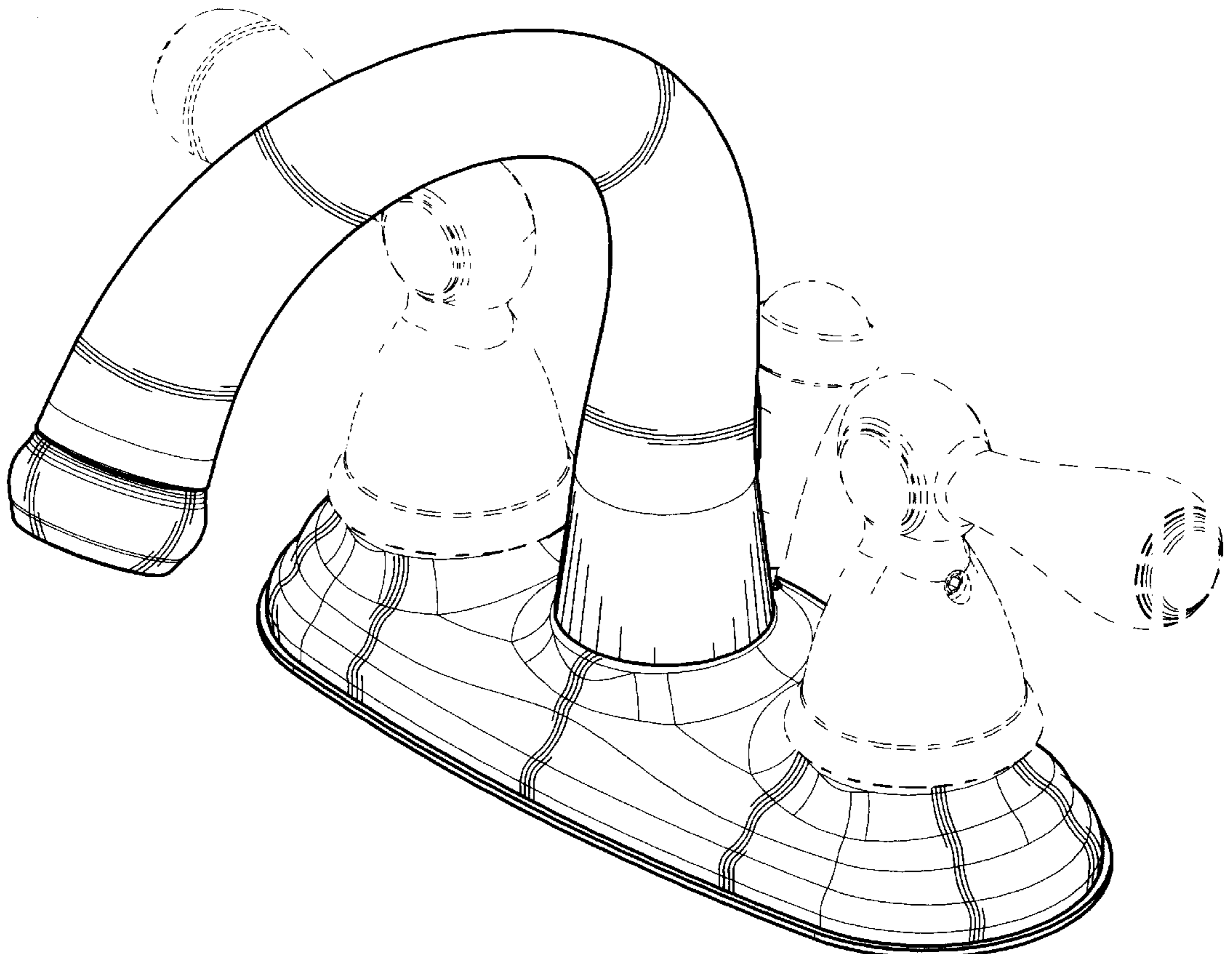
(57) **CLAIM**

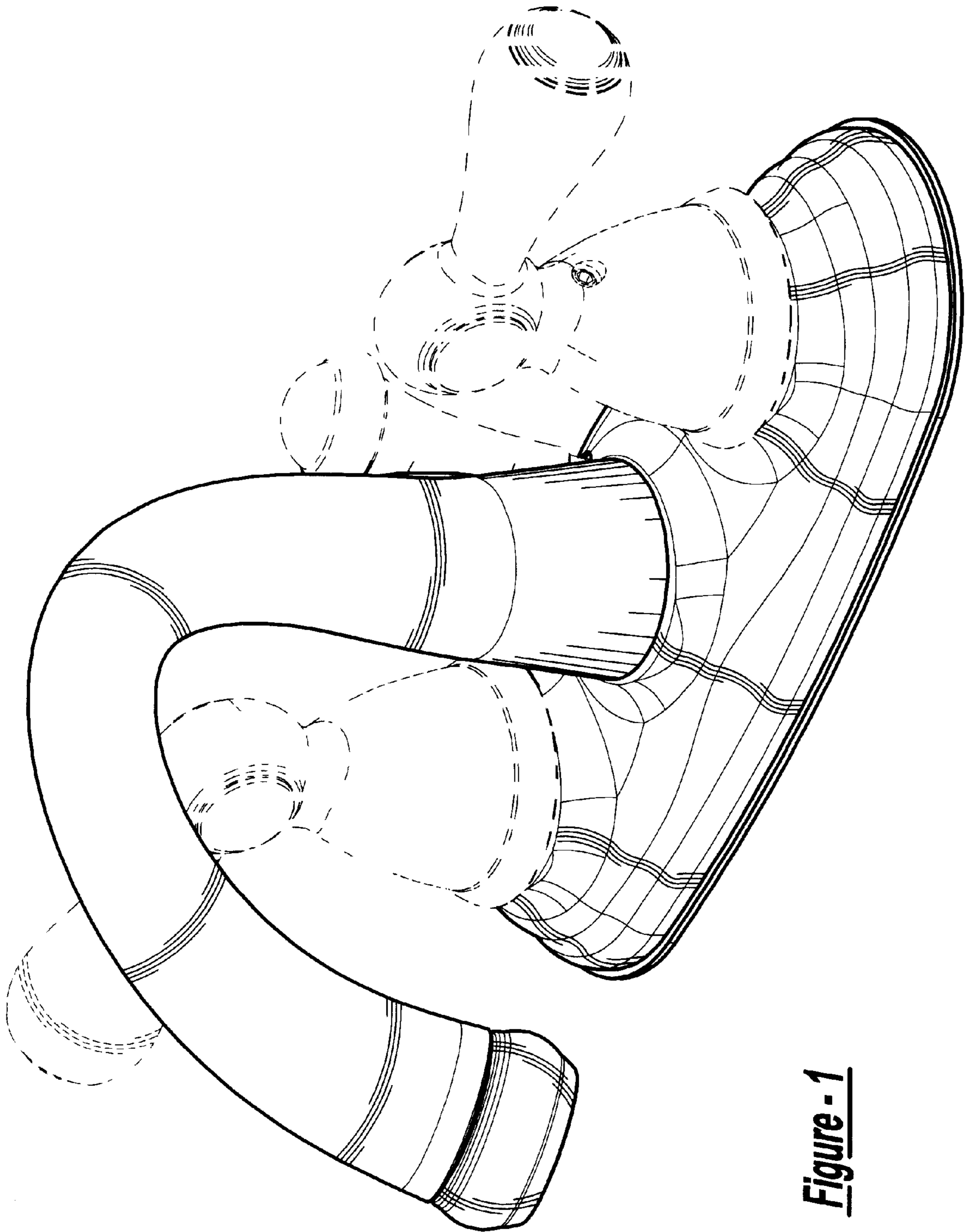
The ornamental design for a faucet center set, as shown and described.

**DESCRIPTION**

FIG. 1 is a front perspective view of the faucet center set showing our new design;  
FIG. 2 is a rear perspective view thereof;  
FIG. 3 is a right side elevational view thereof;  
FIG. 4 is a front elevational view thereof;  
FIG. 5 is a top plan view thereof;  
FIG. 6 is a rear elevational view thereof;  
FIG. 7 is a left side elevational view thereof; and,  
FIG. 8 is a bottom plan view thereof.  
The broken line showing of the lift rod and handles in FIG. 1 are for purposes of illustration only and form no part of the claimed design.

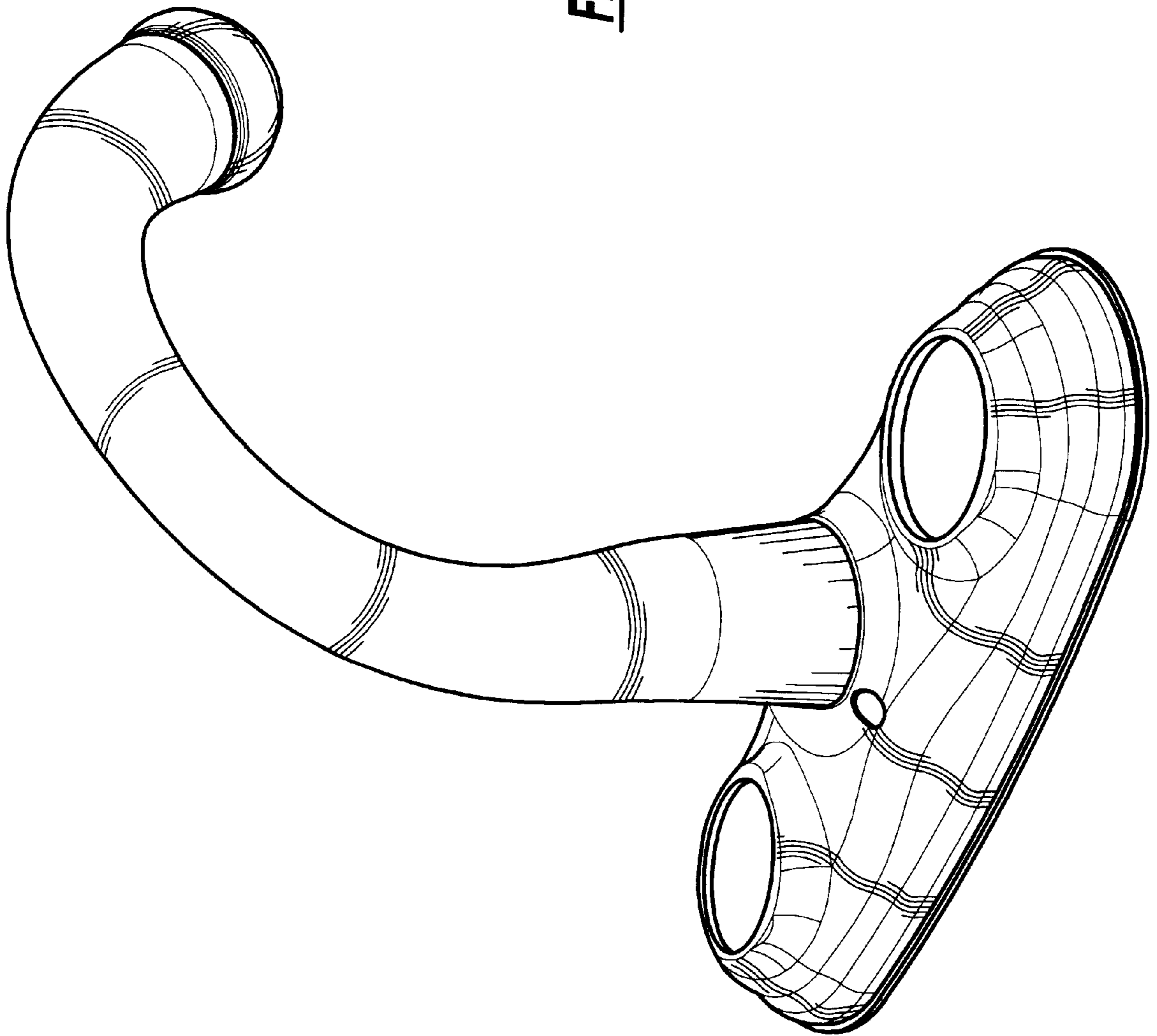
**1 Claim, 8 Drawing Sheets**





**Figure - 1**

Figure - 2



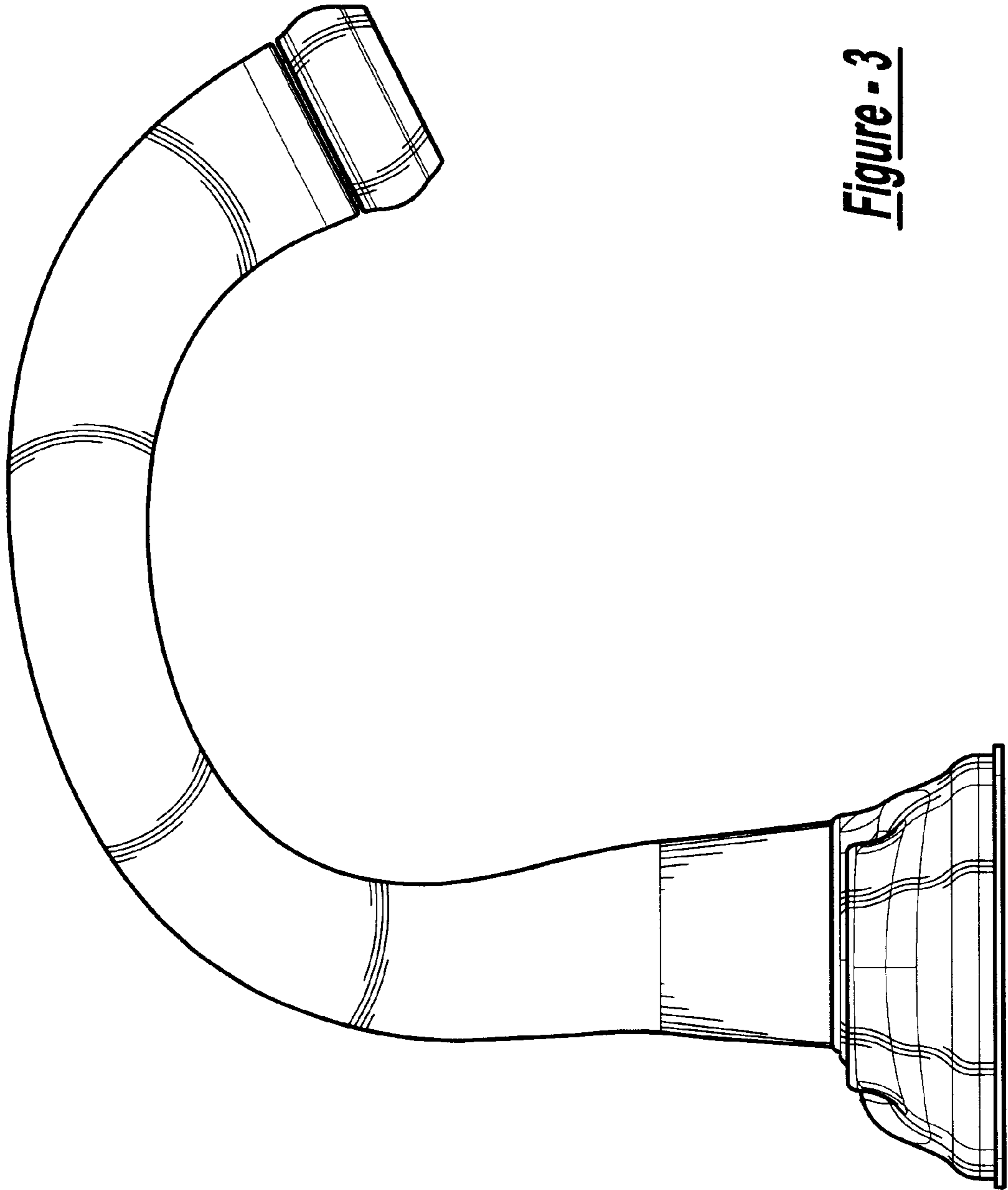
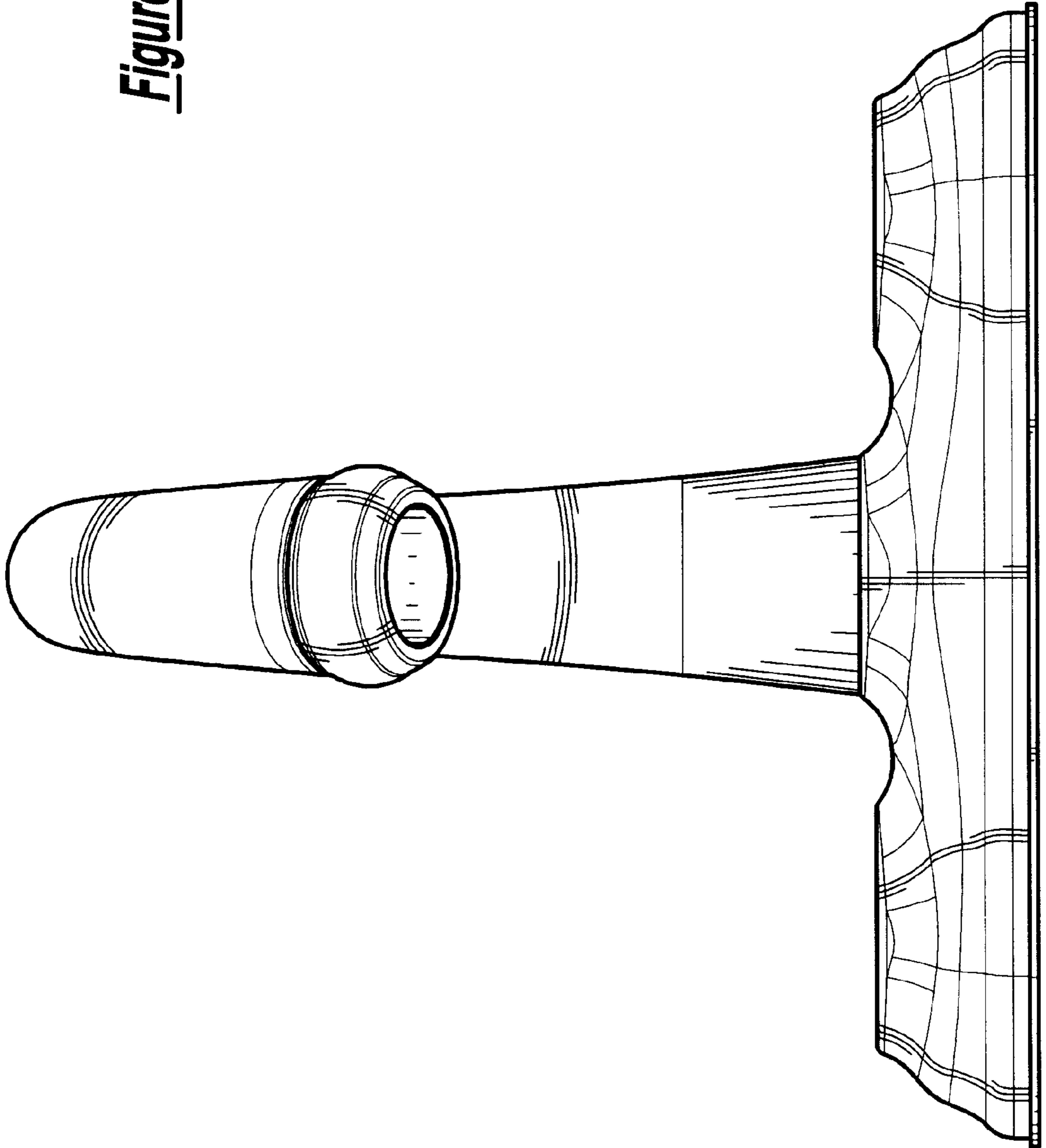


Figure - 3

Figure - 4



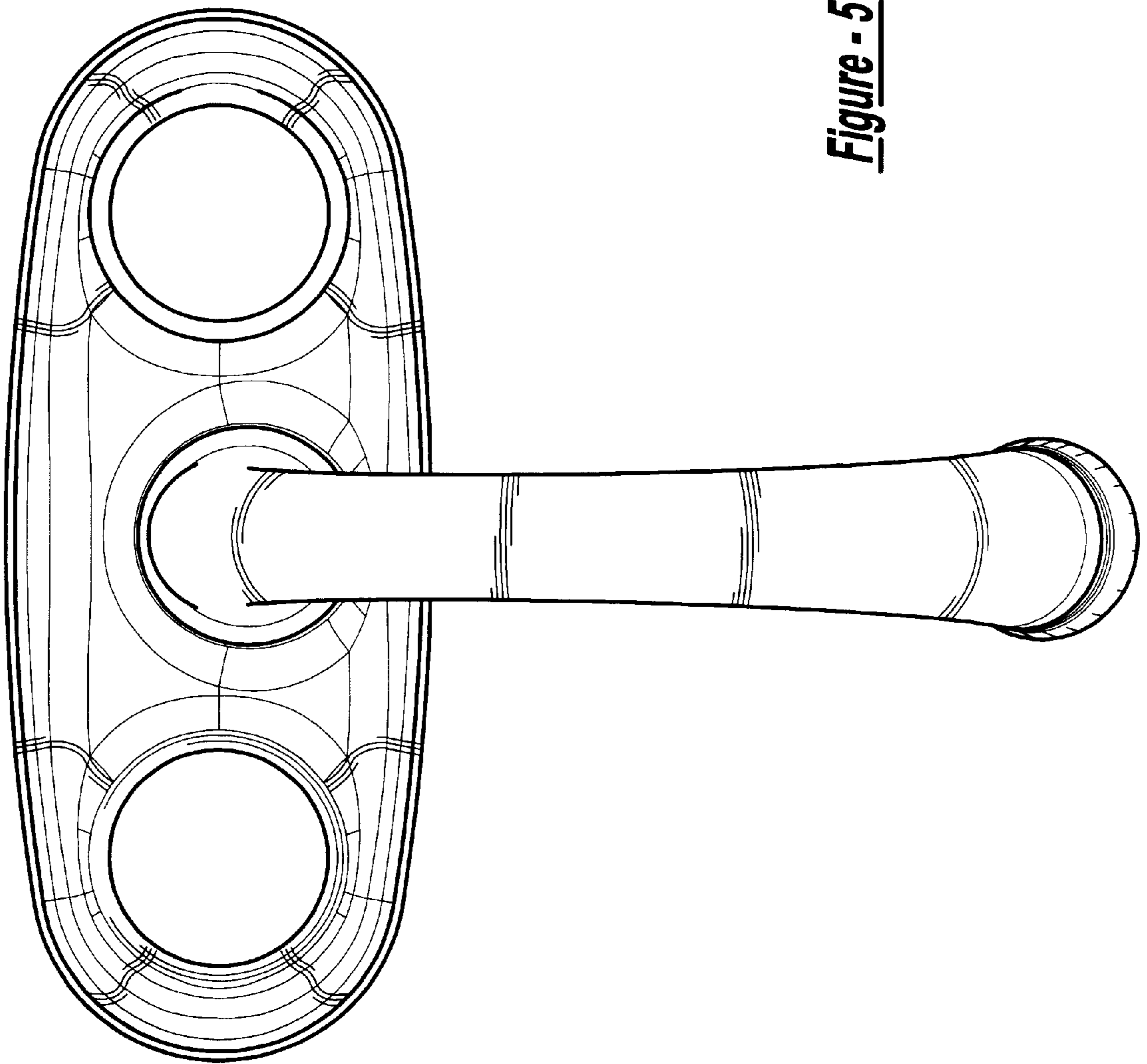


Figure - 5

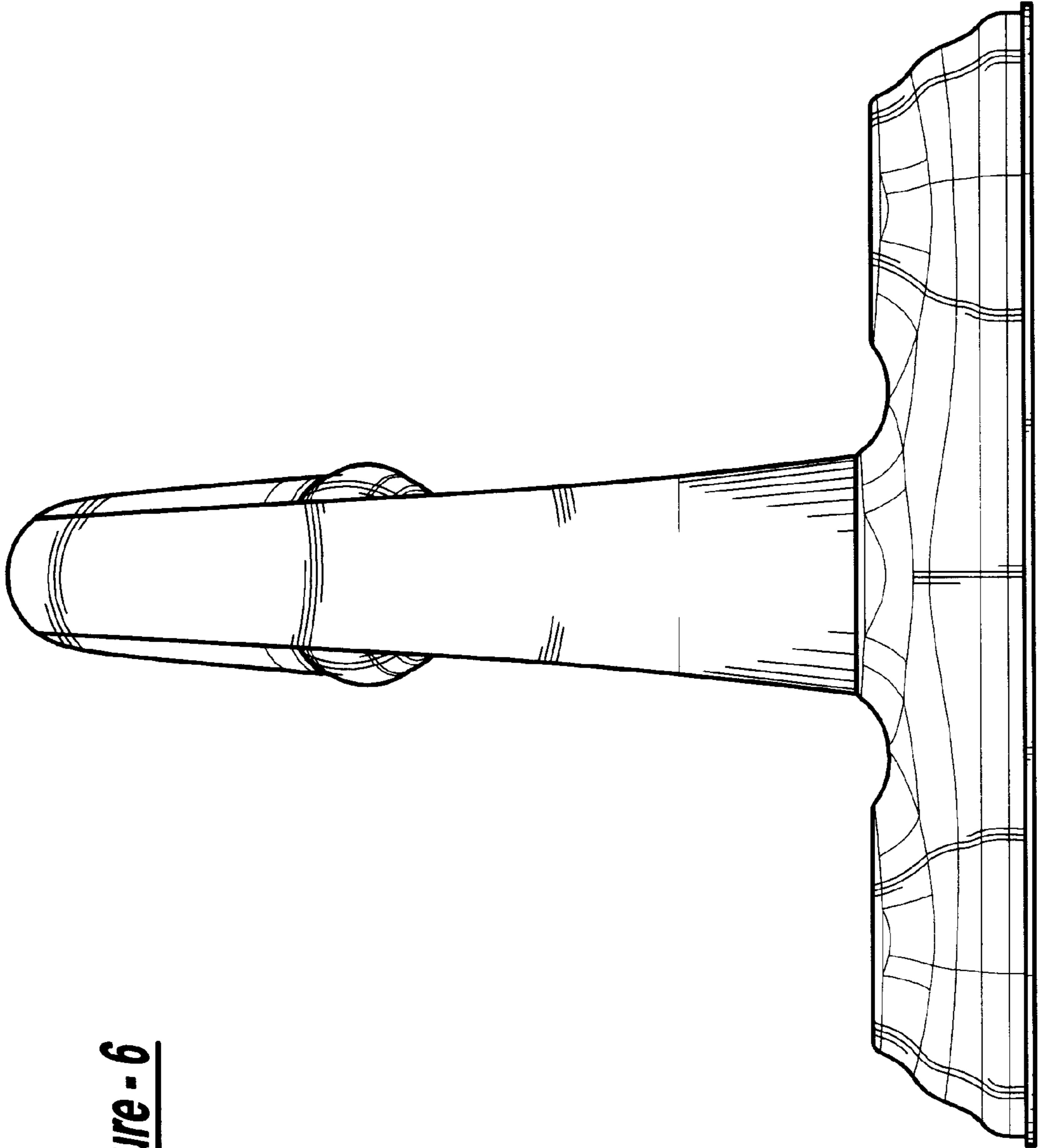


Figure - 6

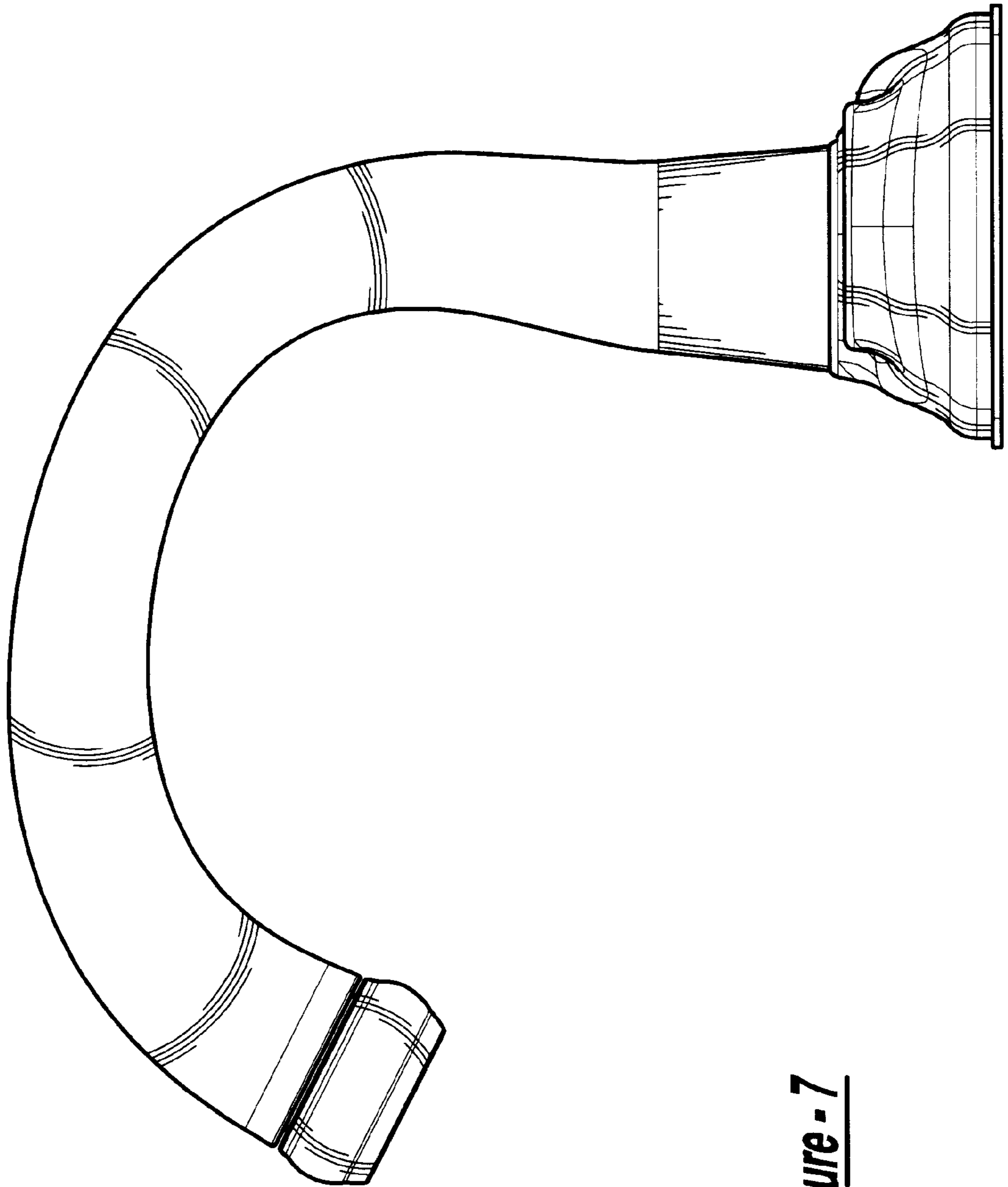
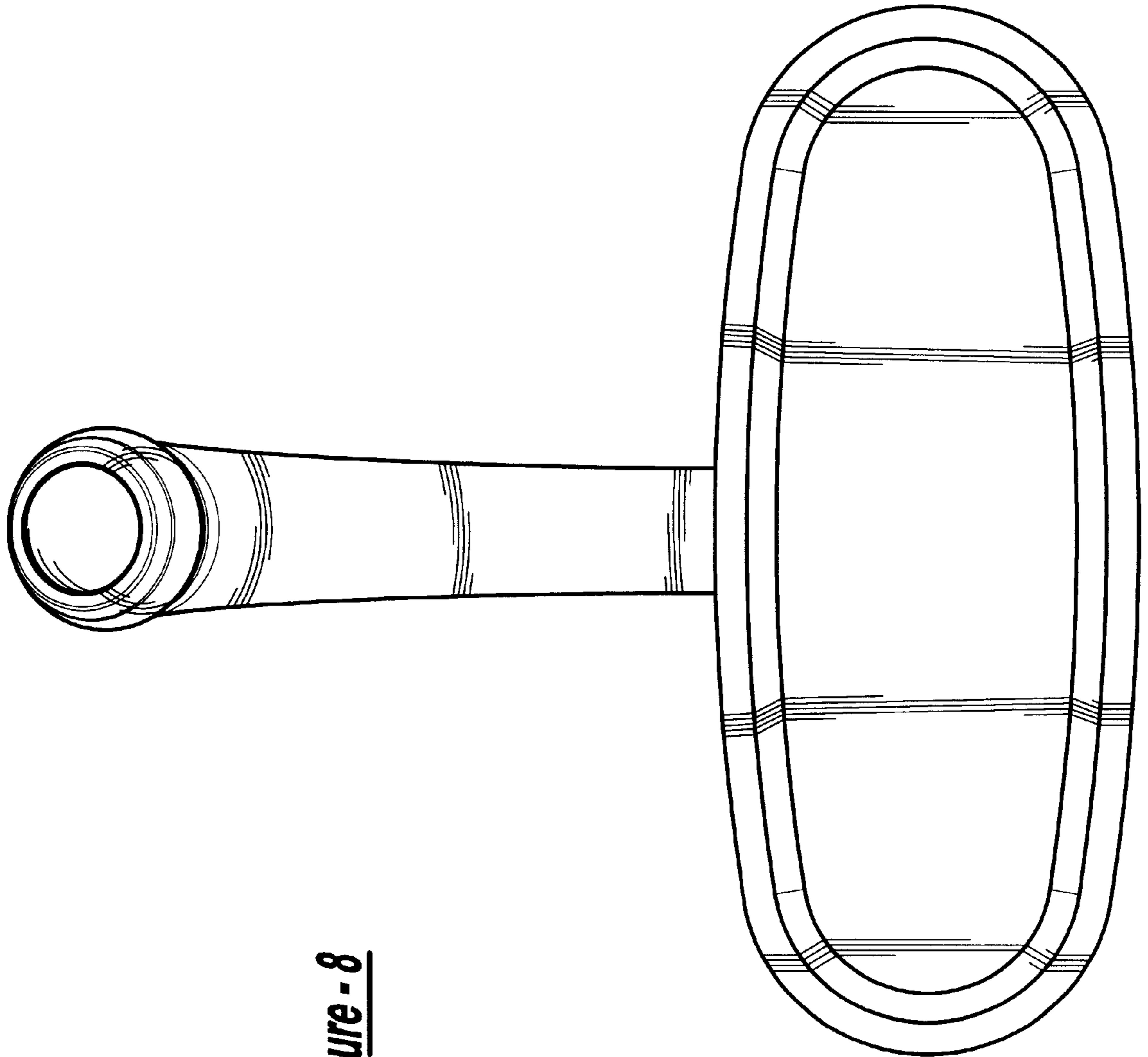


Figure - 7





**Figure - 8**