



US00D466191S

(12) **United States Design Patent** (10) **Patent No.:** **US D466,191 S**
Lord (45) **Date of Patent:** **** *Nov. 26, 2002**

- (54) **LIQUID SOAP DISPENSER**
- (75) Inventor: **Judd A. Lord**, Carmel, IN (US)
- (73) Assignee: **Masco Corporation of Indiana**, Indianapolis, IN (US)
- (*) Notice: This patent is subject to a terminal disclaimer.
- (**) Term: **14 Years**
- (21) Appl. No.: **29/148,260**
- (22) Filed: **Sep. 18, 2001**
- (51) **LOC (7) Cl.** **23-01**
- (52) **U.S. Cl.** **D23/238; D6/542**
- (58) **Field of Search** D6/542-545; 222/180, 222/192, 630, 400.8, 372; D9/448; D23/238, 231, 255

U.S. patent application Ser. No. 29/151,956 filed Dec. 12, 2001.
 U.S. patent application Ser. No. 29/151,959 filed Dec. 12, 2001.
 * cited by examiner

Primary Examiner—Louis S. Zarfes
Assistant Examiner—Gregory Andoll
 (74) *Attorney, Agent, or Firm*—Myron B. Kapustij; Lloyd D. Doigan

(57) **CLAIM**

The ornamental design for a liquid soap dispenser, as shown and described.

DESCRIPTION

FIG. 1 is a rear perspective view of the liquid soap dispenser showing my new design;
 FIG. 2 is a front perspective view thereof;
 FIG. 3 is a right side elevational view thereof;
 FIG. 4 is a rear elevational view thereof;
 FIG. 5 is a left side elevational view thereof;
 FIG. 6 is a front elevational view thereof;
 FIG. 7 is a bottom plan view thereof; and,
 FIG. 8 is a top plan view thereof.

The broken line showing of the finial at the tip of the spout in FIGS. 1-3 and 5-8 is for purposes of illustration only and form no part of the claimed design.

- (56) **References Cited**
- U.S. PATENT DOCUMENTS
- D73,185 S * 8/1927 Levernier D6/542
- D208,737 S * 9/1967 Huling D23/231
- D383,025 S * 9/1997 Warshawsky D6/542
- D396,590 S * 8/1998 Warshawsky D6/542
- D399,085 S * 10/1998 Warshawsky D6/542
- D450,506 S * 11/2001 Hoernig D6/542
- D451,735 S * 12/2001 Hanna D6/542
- D453,648 S * 2/2002 Gottwald D6/545

- OTHER PUBLICATIONS
- U.S. patent application Ser. No. 29/148,262 filed Sep. 18, 2001.
- U.S. patent application Ser. No. 29/148,270 filed Sep. 18, 2001.

1 Claim, 4 Drawing Sheets



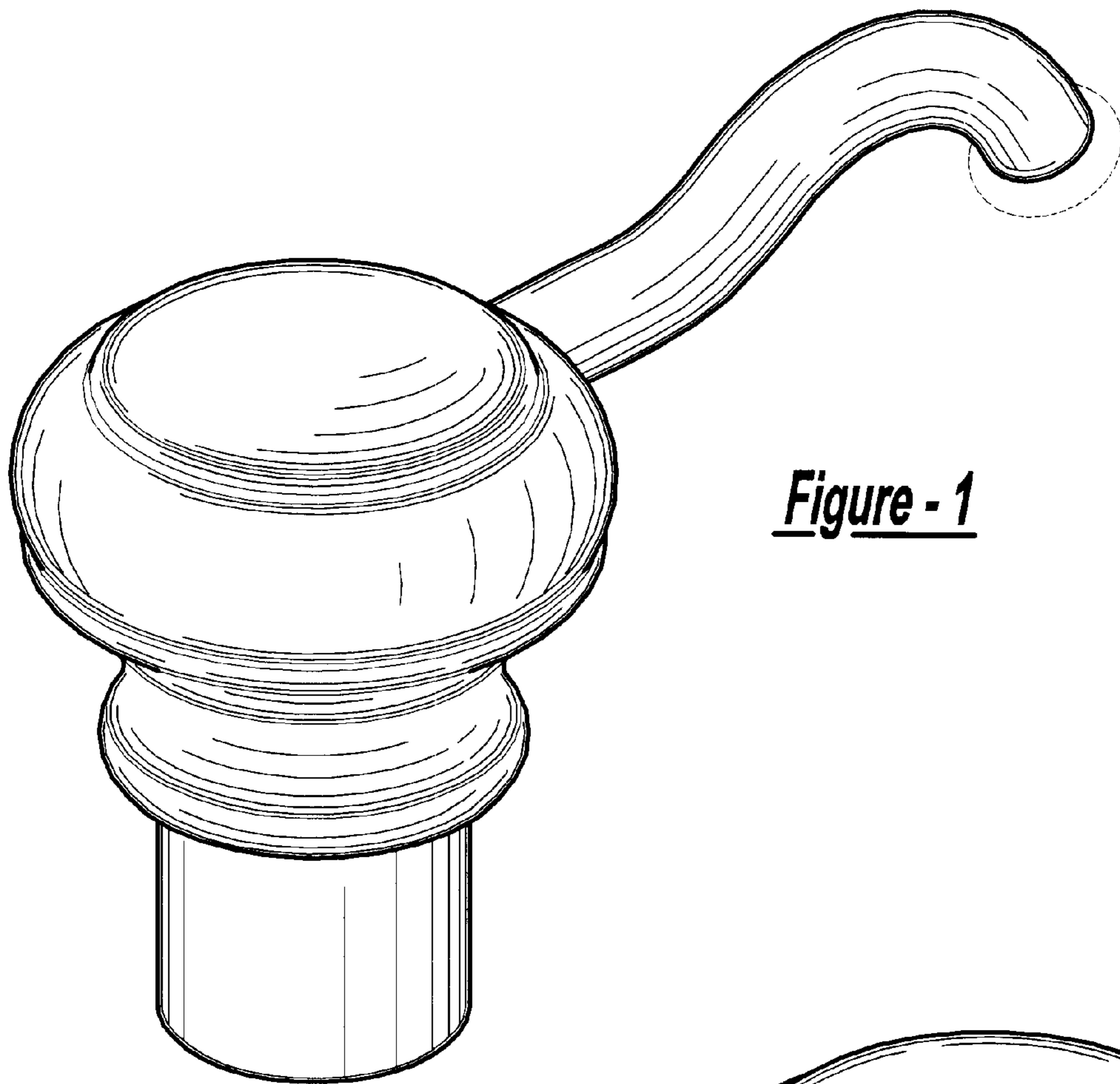


Figure - 1

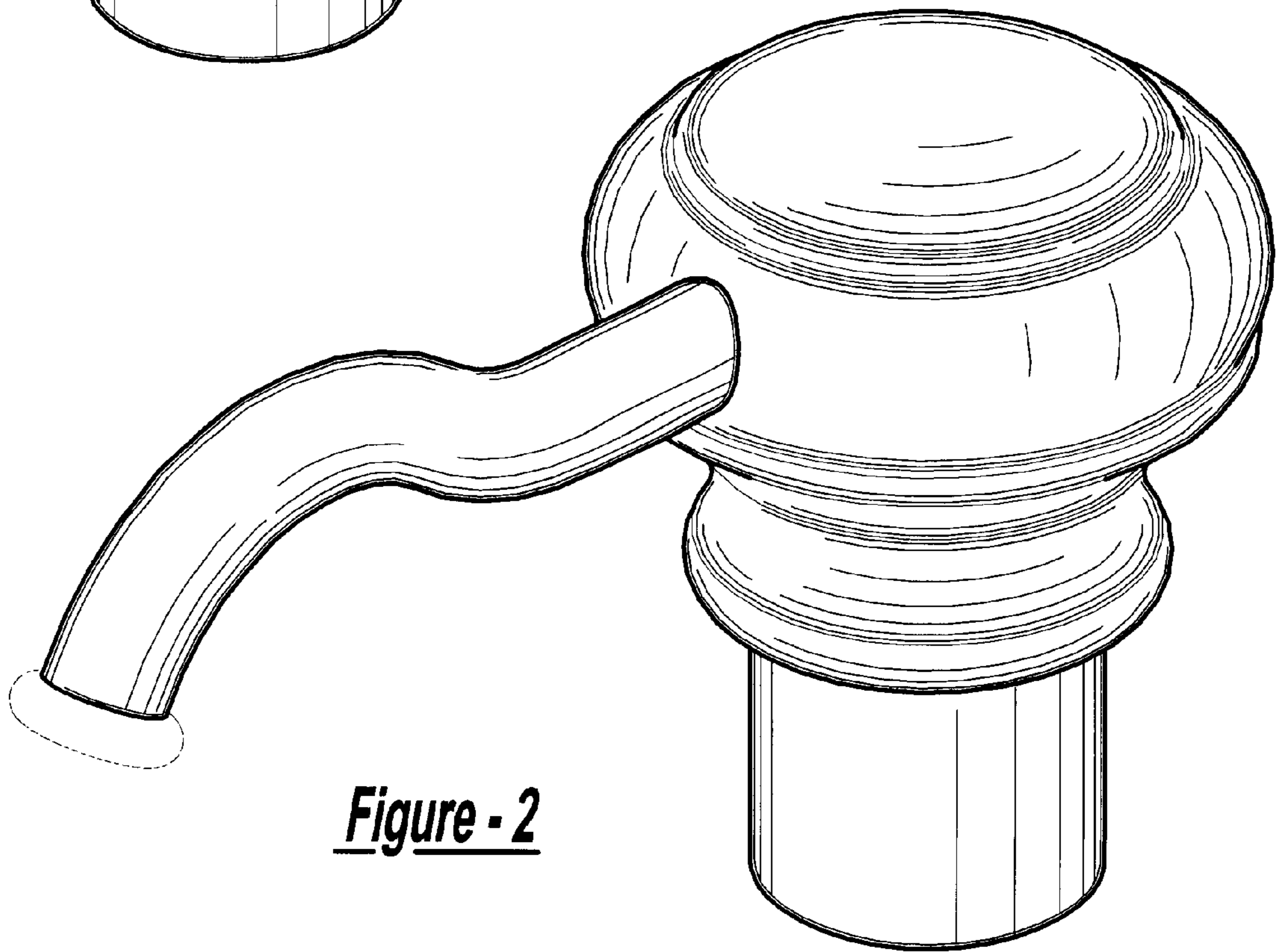


Figure - 2

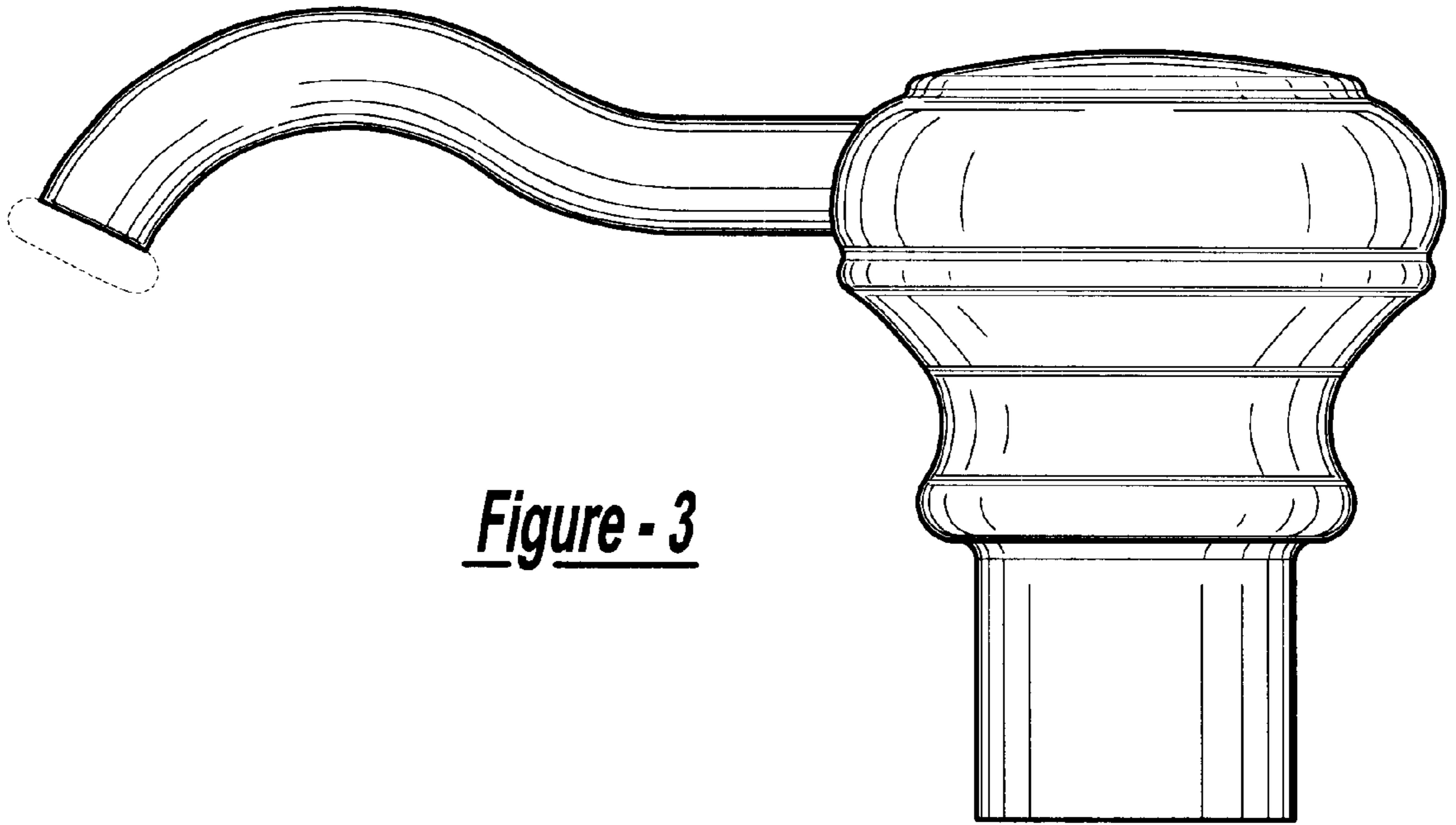


Figure - 3

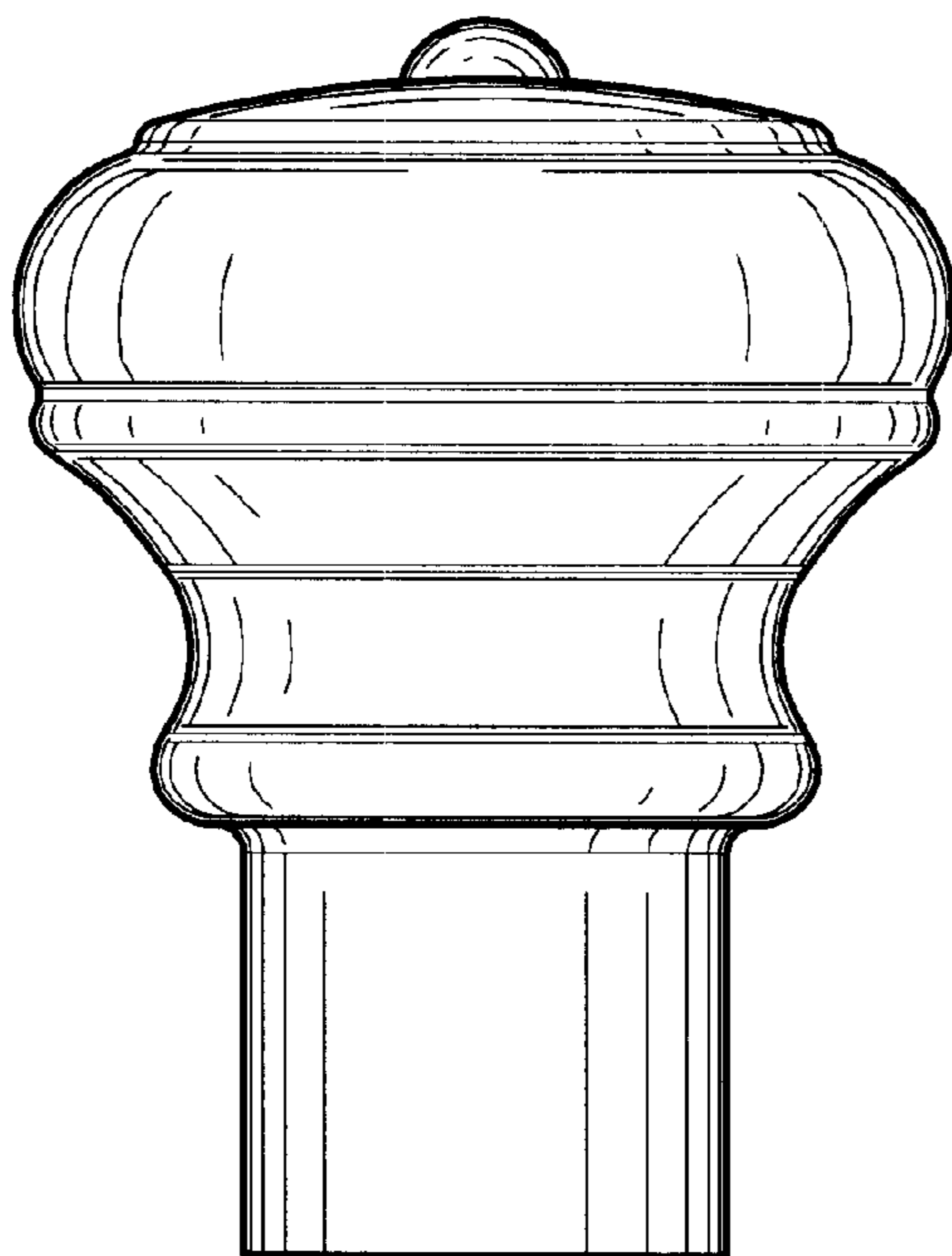


Figure - 4

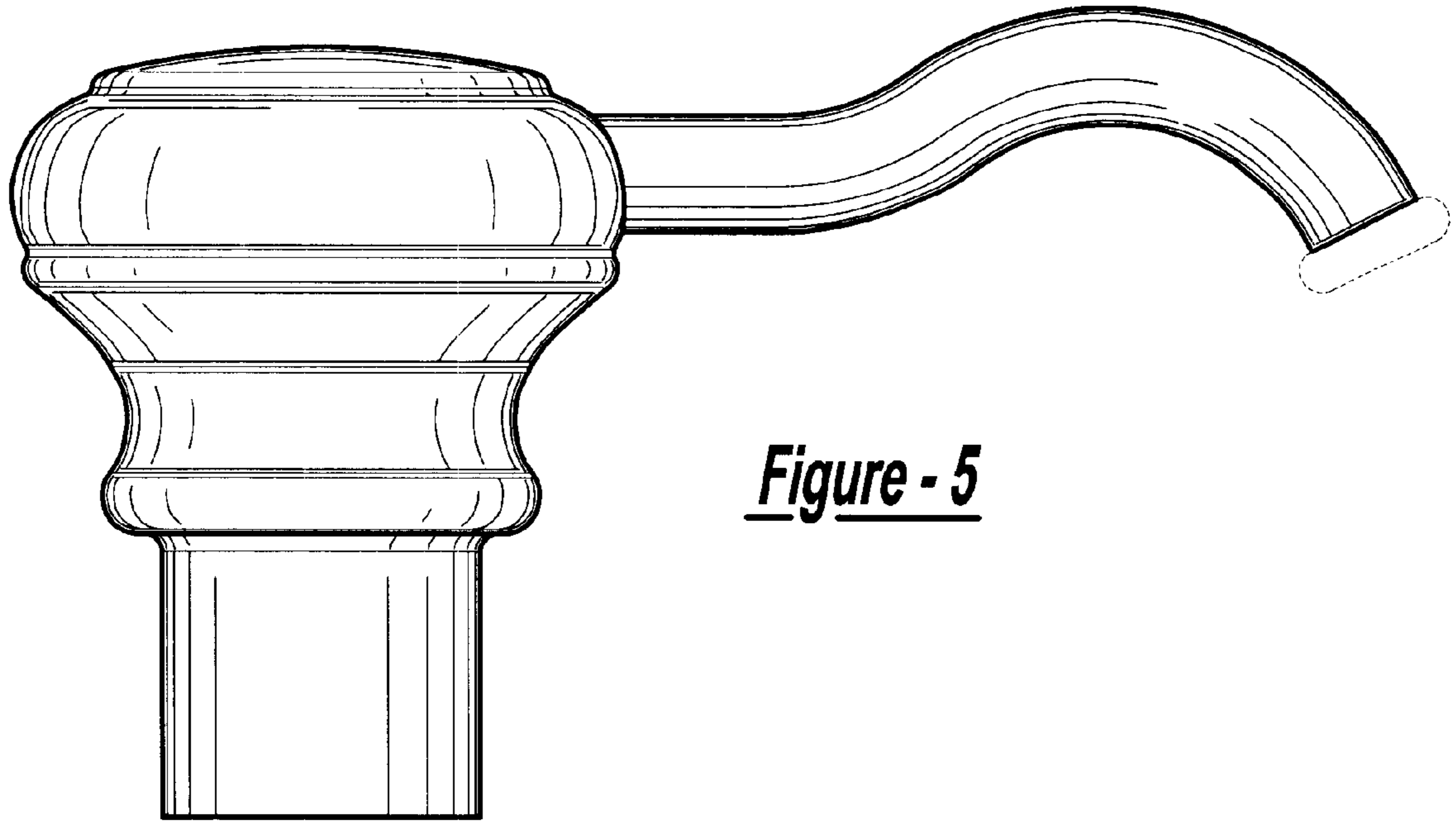


Figure - 5

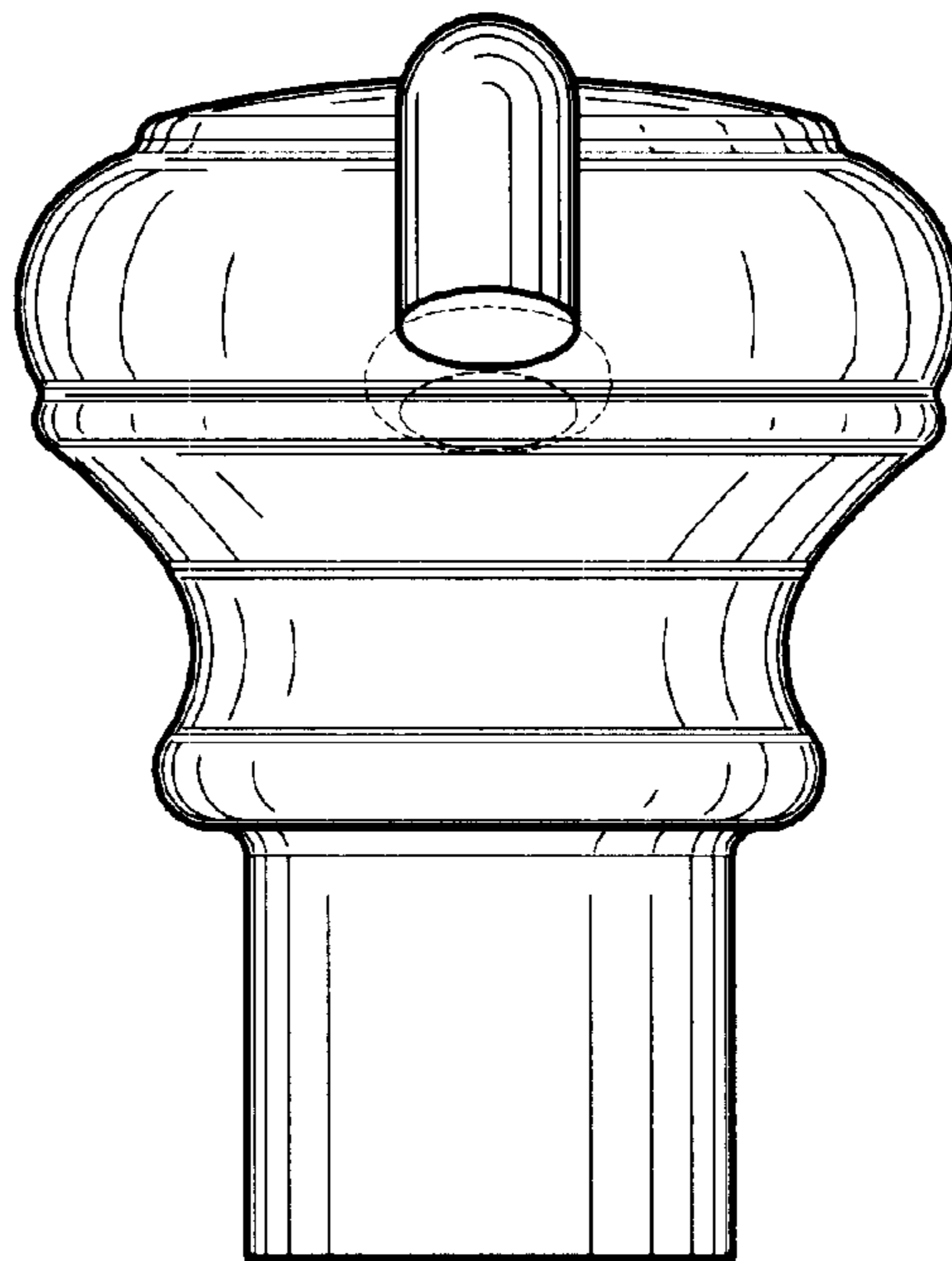


Figure - 6

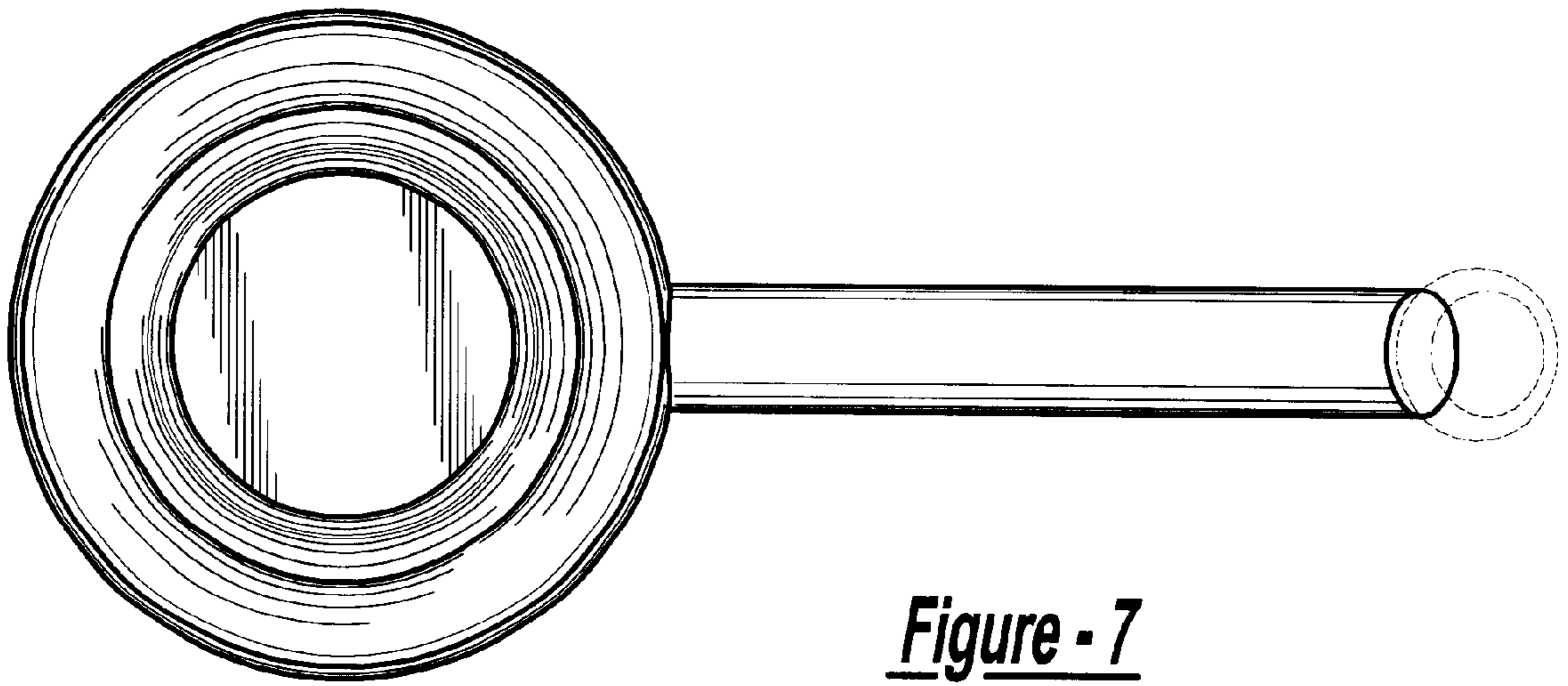


Figure - 7

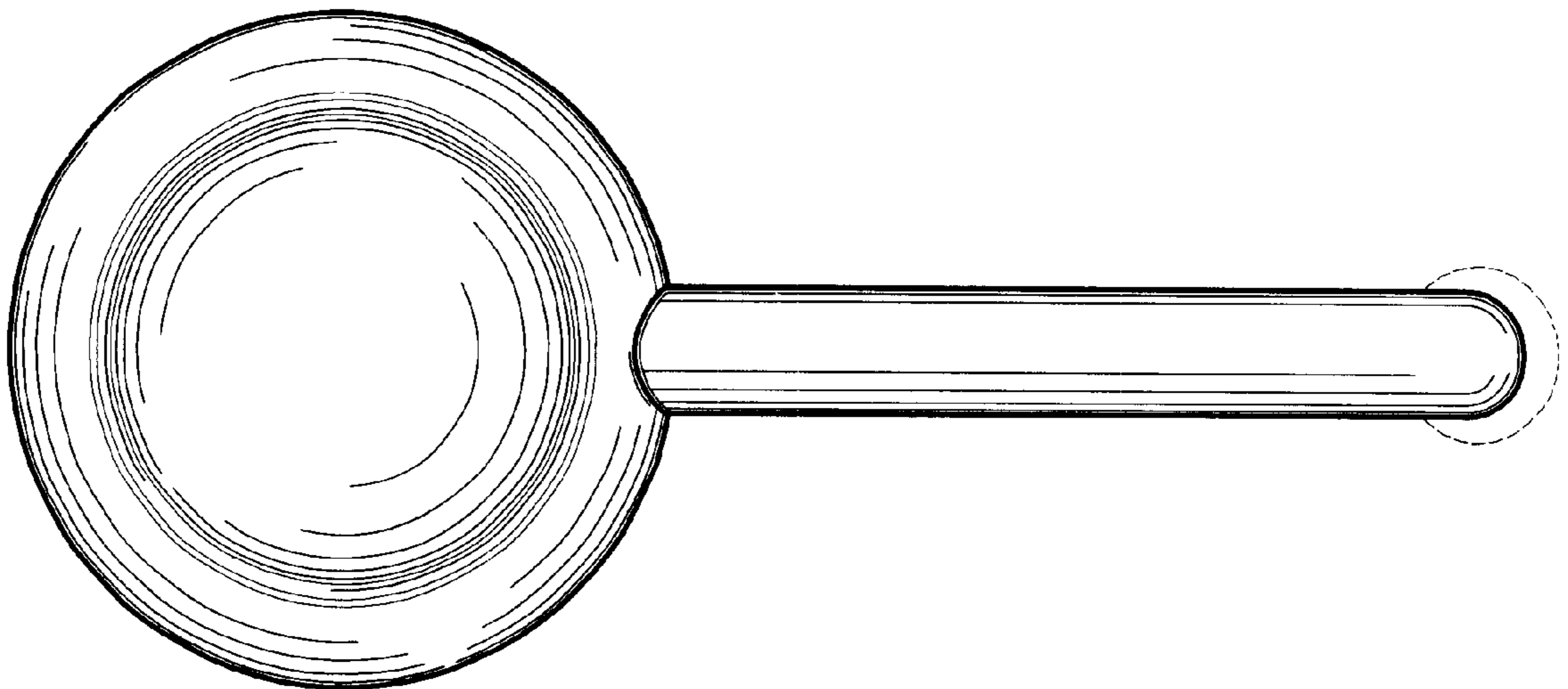


Figure - 8