



US00D466190S

(12) **United States Design Patent**
Chan et al.

(10) **Patent No.:** **US D466,190 S**

(45) **Date of Patent:** **** Nov. 26, 2002**

(54) **THERMAL VALVE**

5,713,391 A * 2/1998 Ko 137/625.4

(75) Inventors: **Anthony Y. Chan**, Sierra Madre, CA (US); **Tracy J. Haeggstrom**, Orange, CA (US); **Landon R. Holloway**, Newport Beach, CA (US)

* cited by examiner

Primary Examiner—Nelson C. Holtje
(74) *Attorney, Agent, or Firm*—Dergosits & Noah LLP; Malcolm B. Wittenberg

(73) Assignee: **Precision Brass Services**, Chino, CA (US)

(57) **CLAIM**

(**) Term: **14 Years**

The ornamental design for a thermal valve, or similar article as described and shown in FIGS. 1 through 7, inclusive.

(21) Appl. No.: **29/152,167**

DESCRIPTION

(22) Filed: **Dec. 13, 2001**

(51) **LOC (7) Cl.** **23-01**

(52) **U.S. Cl.** **D23/233**

(58) **Field of Search** D23/233, 247, D23/249; 137/886-887, 883, 625.17, 625.19, 625.13, 625.47, 625.32, 597, 599

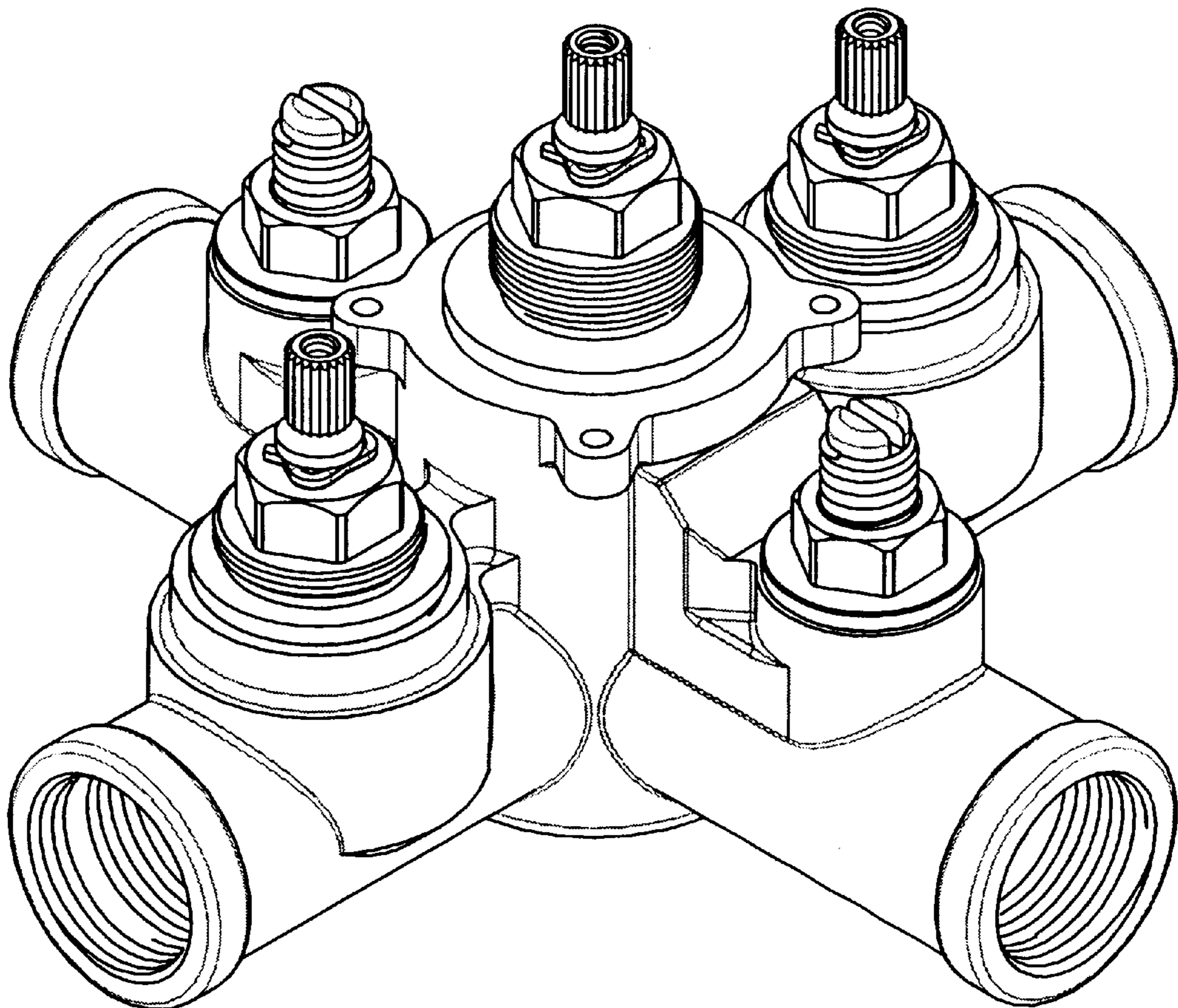
FIG. 1 illustrates a perspective view of a thermal valve; FIG. 2 illustrates a top view of a thermal valve illustrated in FIG. 1; FIG. 3 illustrates a bottom view of a thermal valve illustrated in FIG. 1; FIG. 4 illustrates a front view of a thermal valve illustrated in FIG. 1; FIG. 5 illustrates a back view of a thermal valve illustrated in FIG. 1; FIG. 6 illustrates a left side view of a thermal valve illustrated in FIG. 1; and, FIG. 7 illustrates a right side view of the thermal valve illustrated in FIG. 1.

(56) **References Cited**

U.S. PATENT DOCUMENTS

- 3,240,230 A * 3/1966 Callahan 137/886
- 3,245,430 A * 4/1966 Enterante 137/886
- 4,685,156 A * 8/1987 Brabazon 4/676
- 4,749,004 A * 6/1988 Peash 137/865

1 Claim, 7 Drawing Sheets



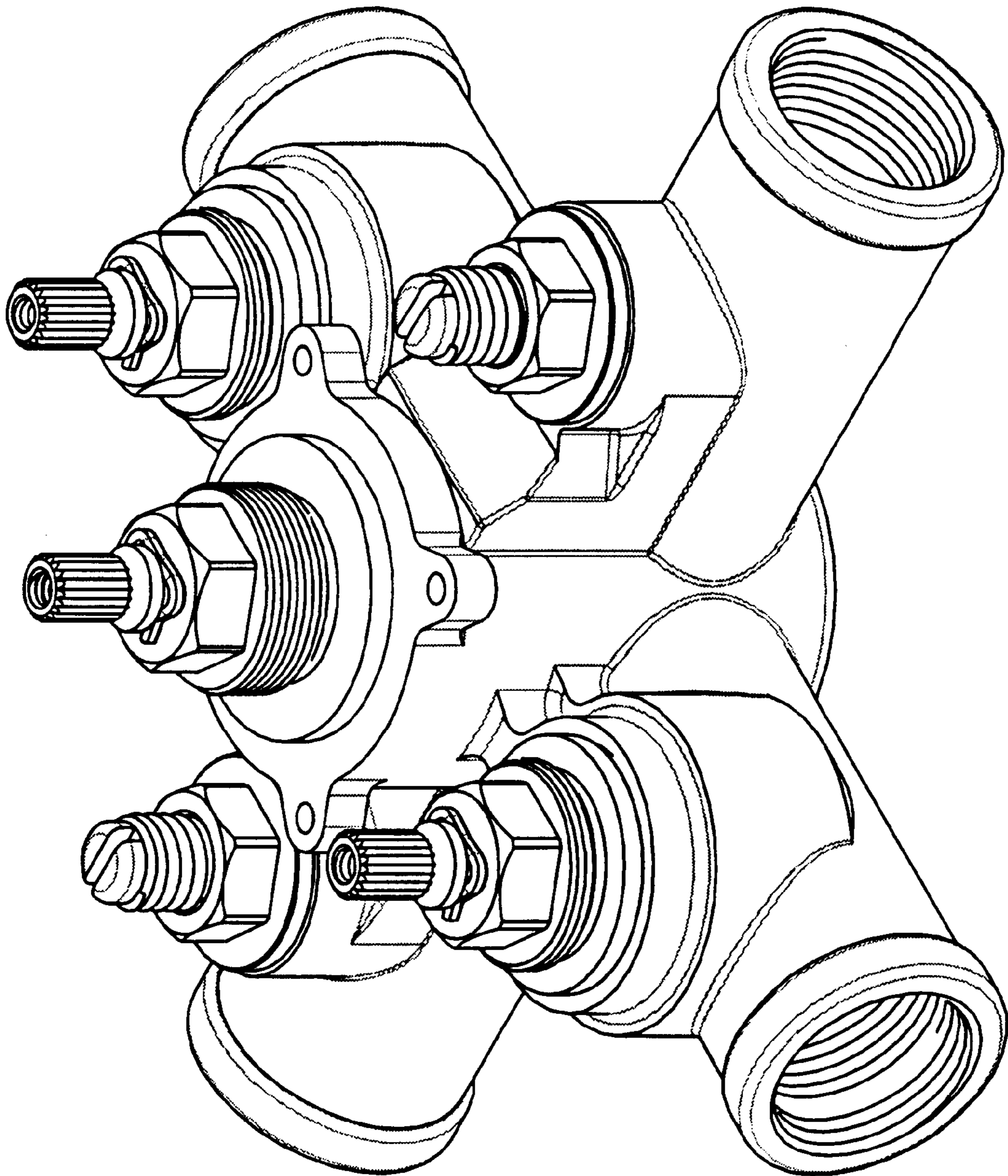


FIGURE 1

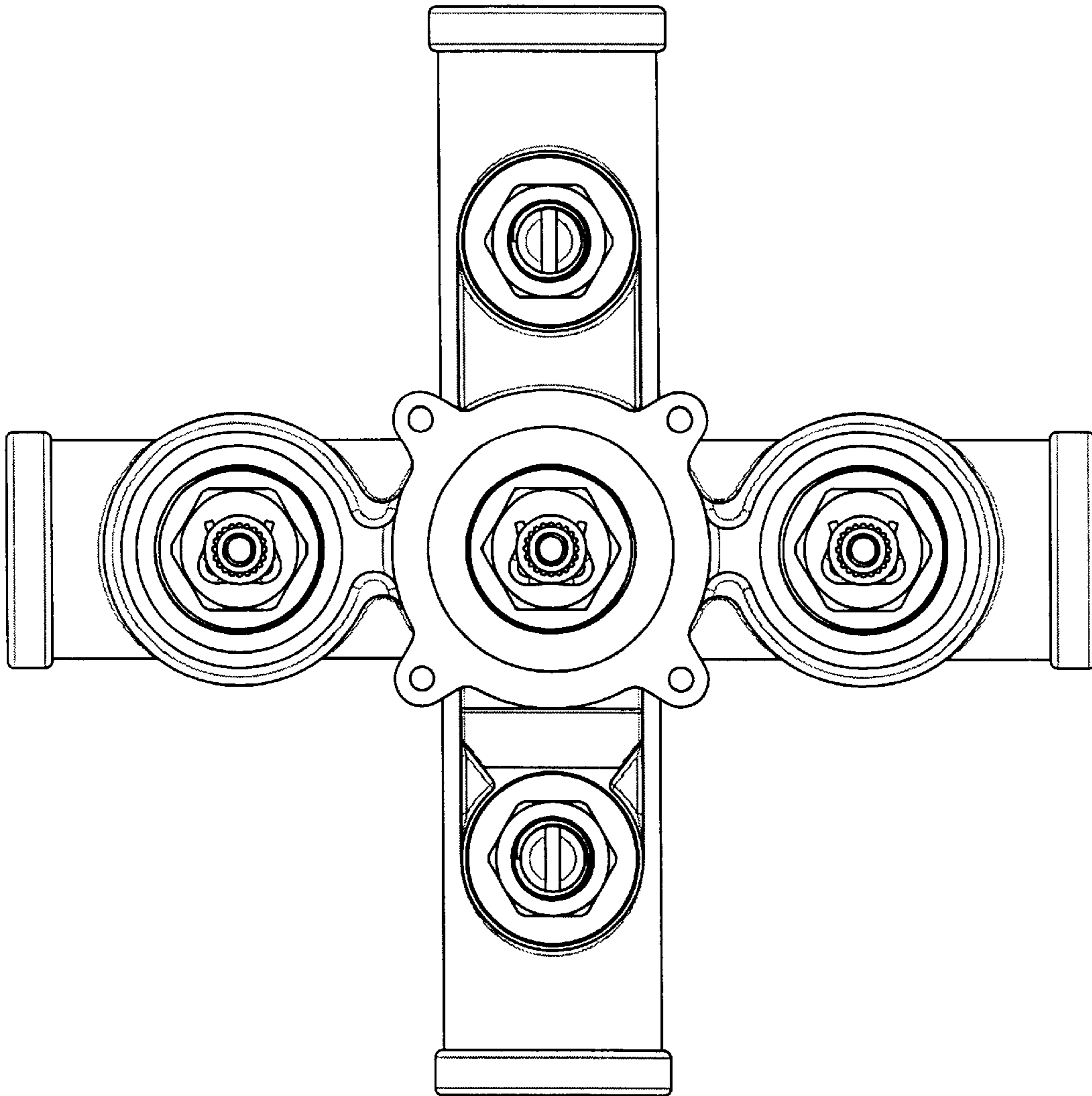


FIGURE 2

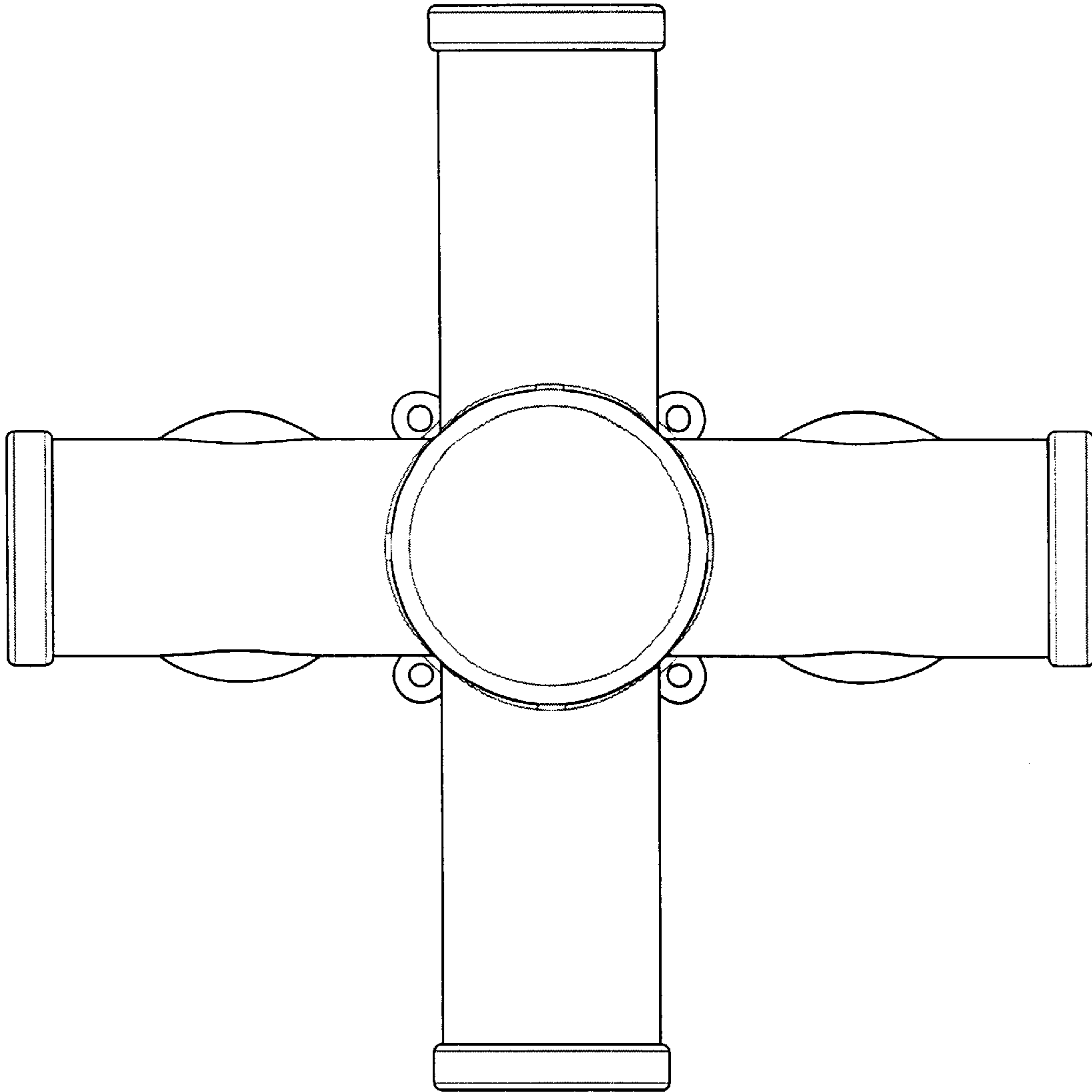


FIGURE 3

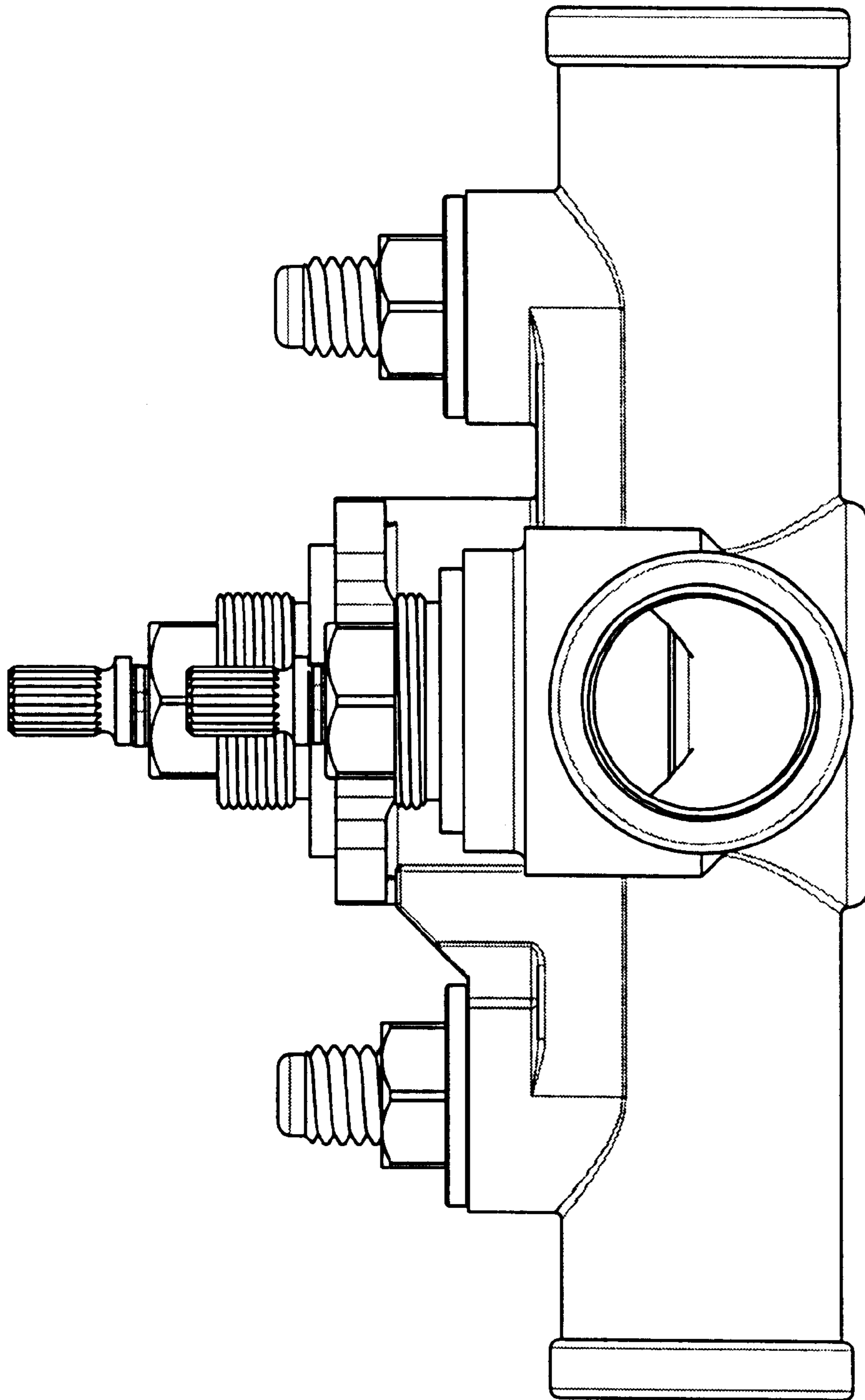


FIGURE 4

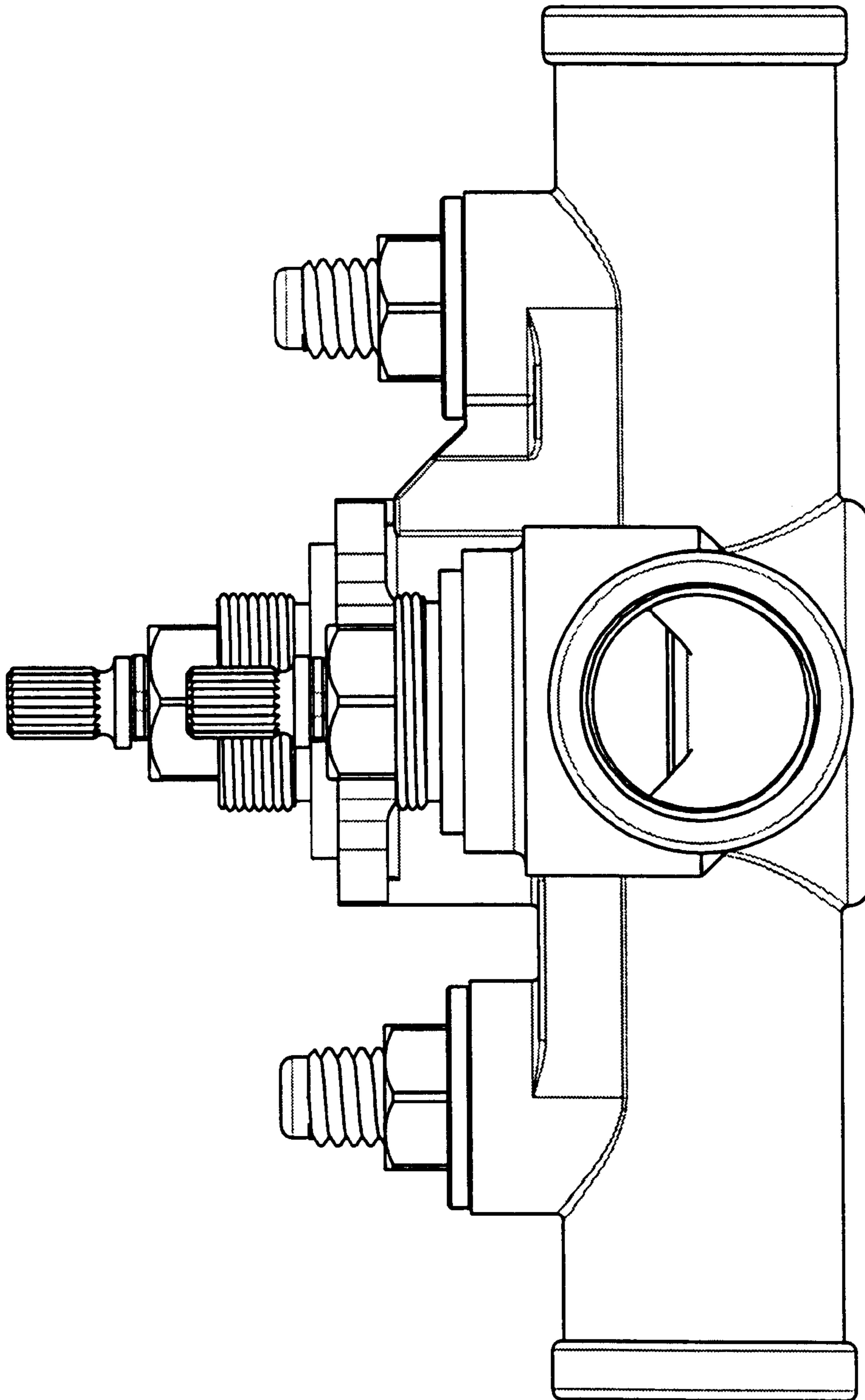


FIGURE 5

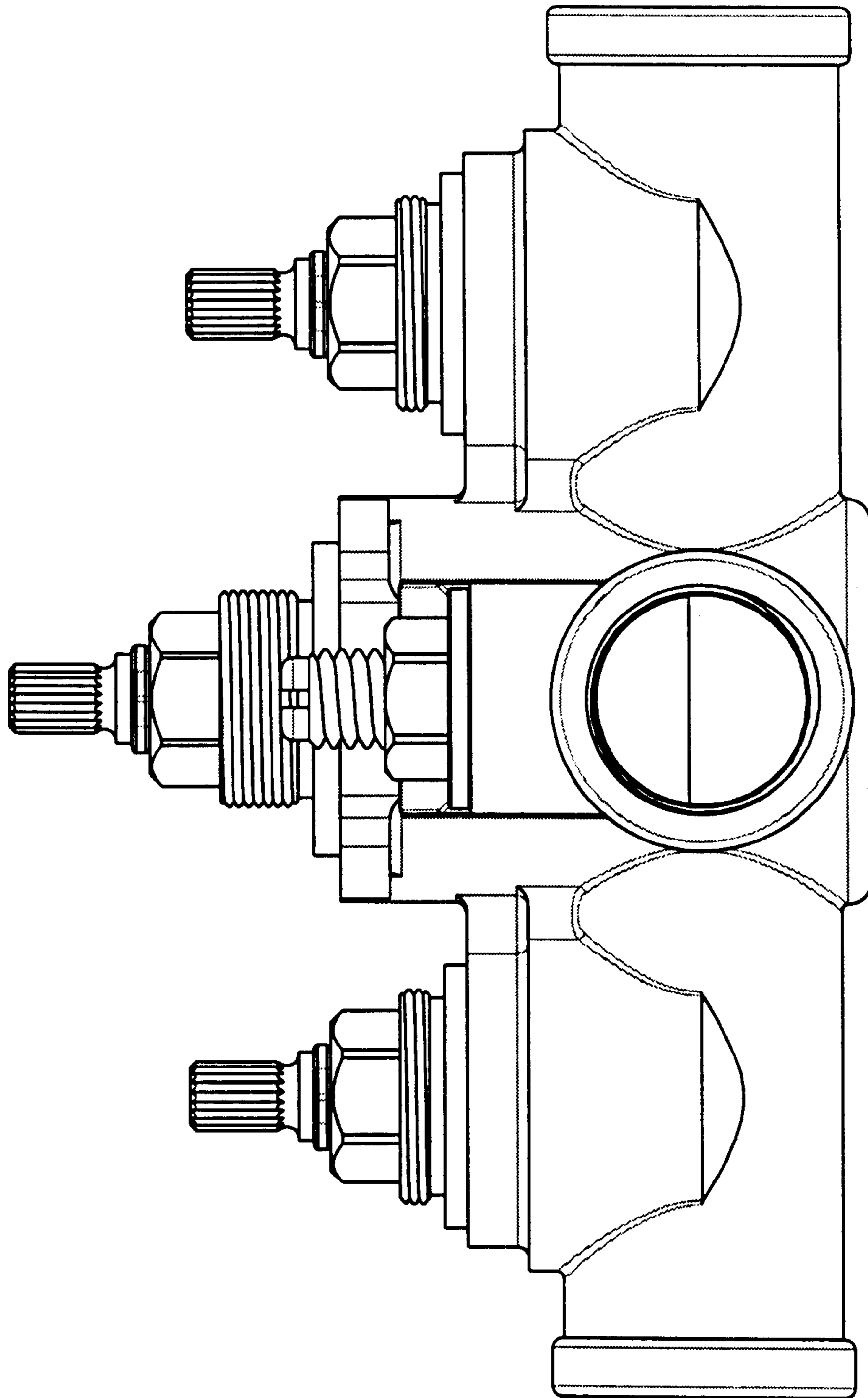


FIGURE 6

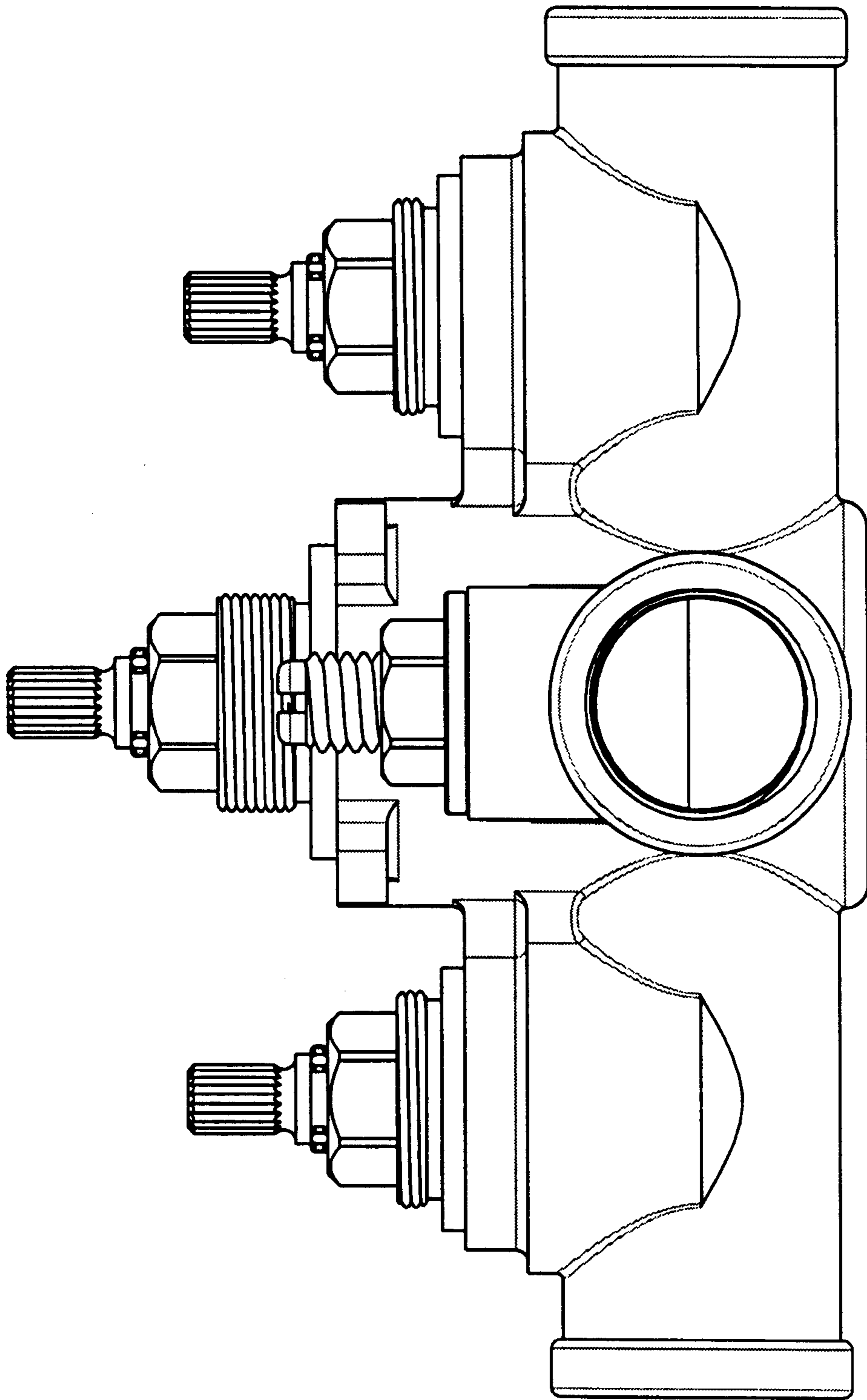


FIGURE 7