

US00D466189S

(12) **United States Design Patent**  
**McNerney et al.**

(10) **Patent No.:** **US D466,189 S**

(45) **Date of Patent:** **\*\* Nov. 26, 2002**

(54) **DIVERTER VALVE**

(75) Inventors: **Gerald J. McNerney**, Carmel, IN (US);  
**Jeffrey W. McCormack**, Fishers, IN  
(US); **Rafael Victor Velazco**, Bergamo  
(IT); **Mauro Pini**, Brescia (IT);  
**William Nolan**, Oshawa (CA); **Gerald  
Robert Birmingham**, Whitby (CA)

(73) Assignee: **Masco Corporation of Indiana**,  
Indianapolis, IN (US)

(\*\*) Term: **14 Years**

(21) Appl. No.: **29/151,253**

(22) Filed: **Nov. 15, 2001**

(51) **LOC (7) Cl.** ..... **23-01**

(52) **U.S. Cl.** ..... **D23/233**

(58) **Field of Search** ..... D23/233, 247,  
D23/249; 137/625.19, 625.47, 625.43, 625.32,  
597, 599, 886-887, 883

(56) **References Cited**

**U.S. PATENT DOCUMENTS**

3,240,230 A \* 3/1966 Callahan ..... 137/886

3,245,430 A \* 4/1966 Enterante ..... 137/886  
4,749,004 A \* 6/1988 Peash ..... 137/865  
5,713,391 A \* 2/1998 Ko ..... 137/625.4  
5,871,032 A 2/1999 Ko ..... 37/625.47  
D421,098 S \* 2/2000 Wrigley et al. .... D23/249  
6,079,625 A 6/2000 Lebkuchner ..... 236/12.2

\* cited by examiner

*Primary Examiner*—Nelson C. Holtje

(74) *Attorney, Agent, or Firm*—Kwadjo Adusei-Poku;  
Lloyd D. Doigan

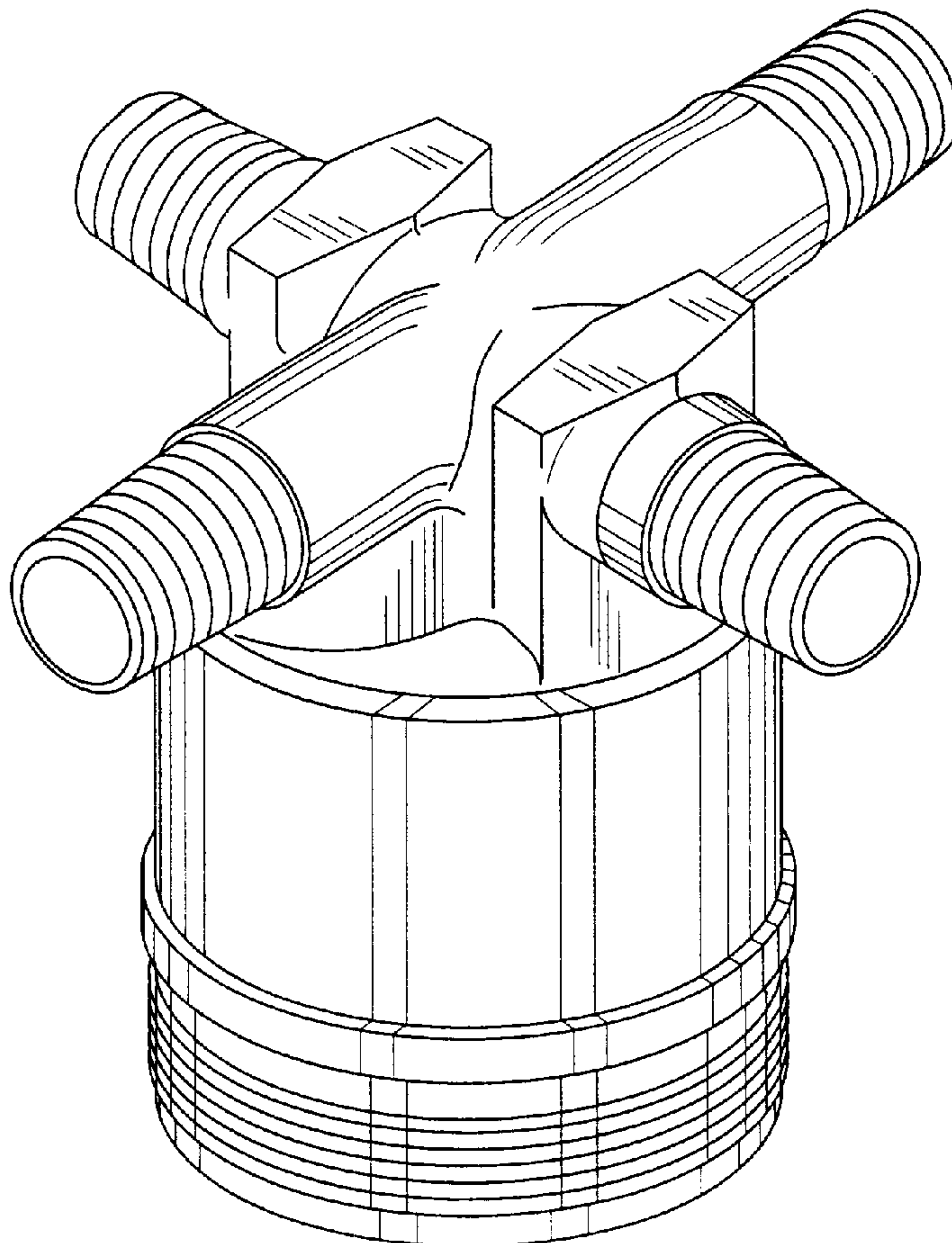
(57) **CLAIM**

The ornamental design for a diverter valve, as shown and  
described.

**DESCRIPTION**

FIG. 1 is a top perspective view of a diverter valve showing  
our new design;  
FIG. 2 is a left side elevational view, the right side eleva-  
tional view being a mirror image thereof;  
FIG. 3 is a front elevational view, the rear elevational view  
being a mirror image there thereof;  
FIG. 4 is bottom plan view thereof; and,  
FIG. 5 is a top plan view thereof.

**1 Claim, 3 Drawing Sheets**



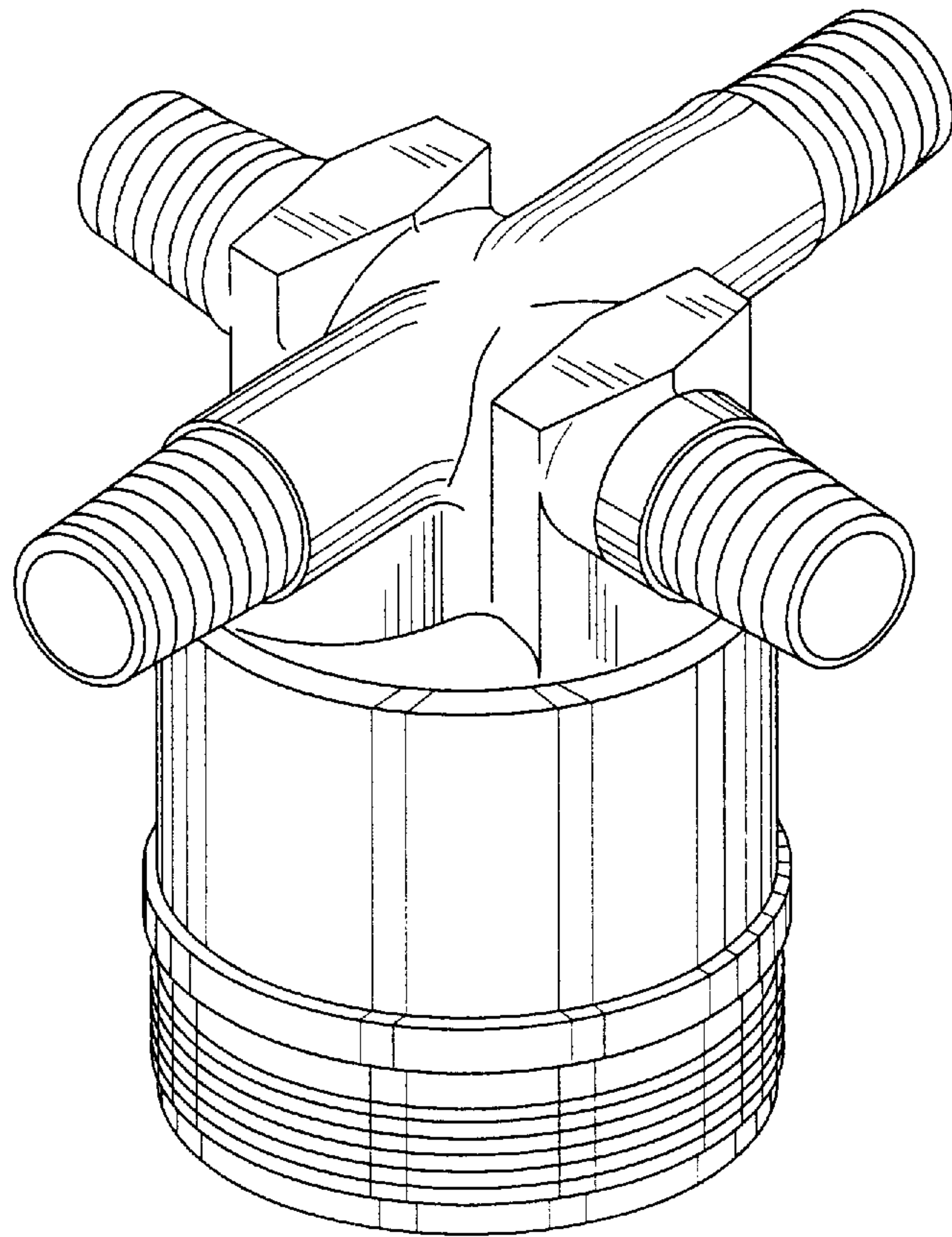


Fig-1

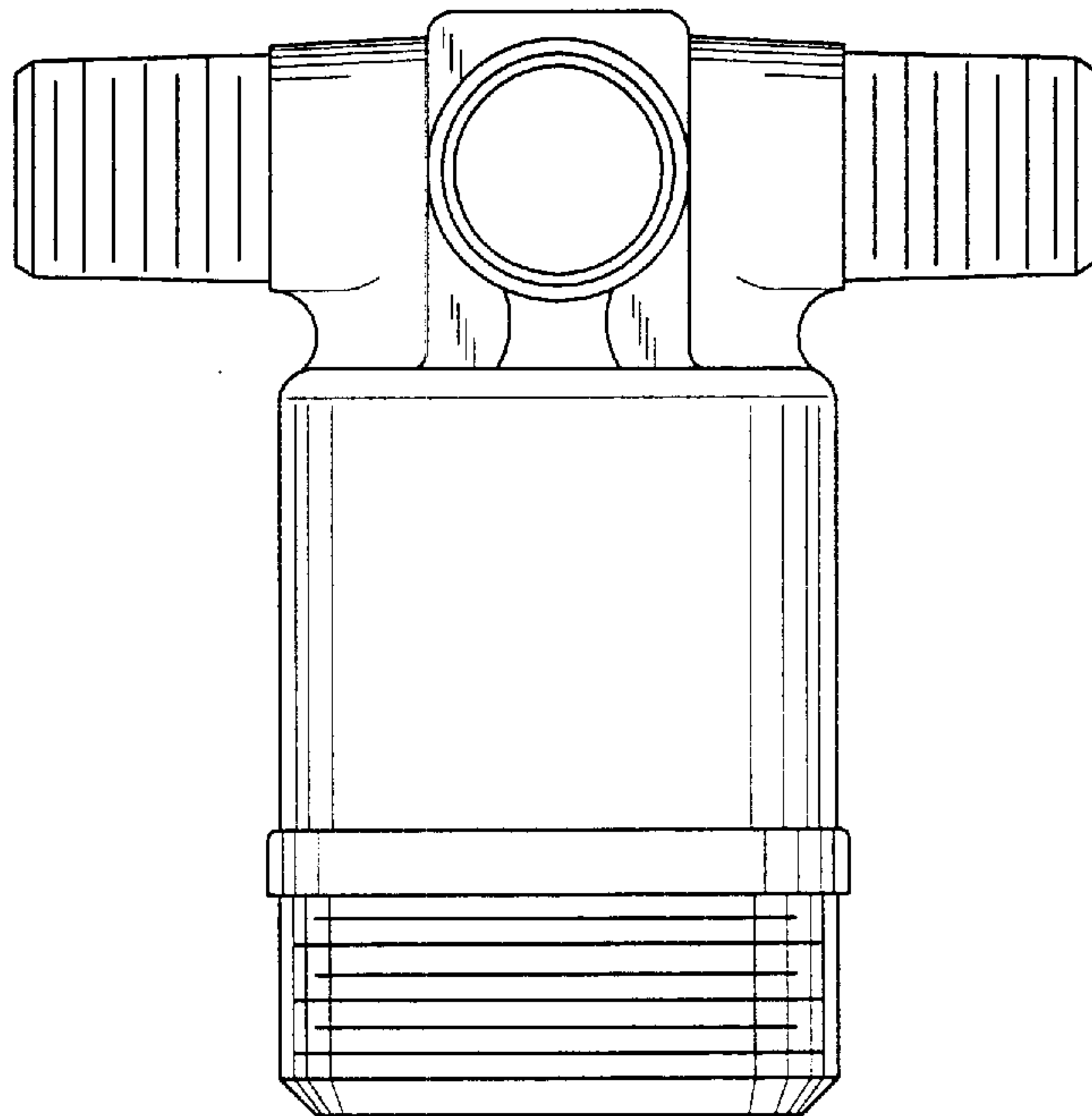


Fig-2

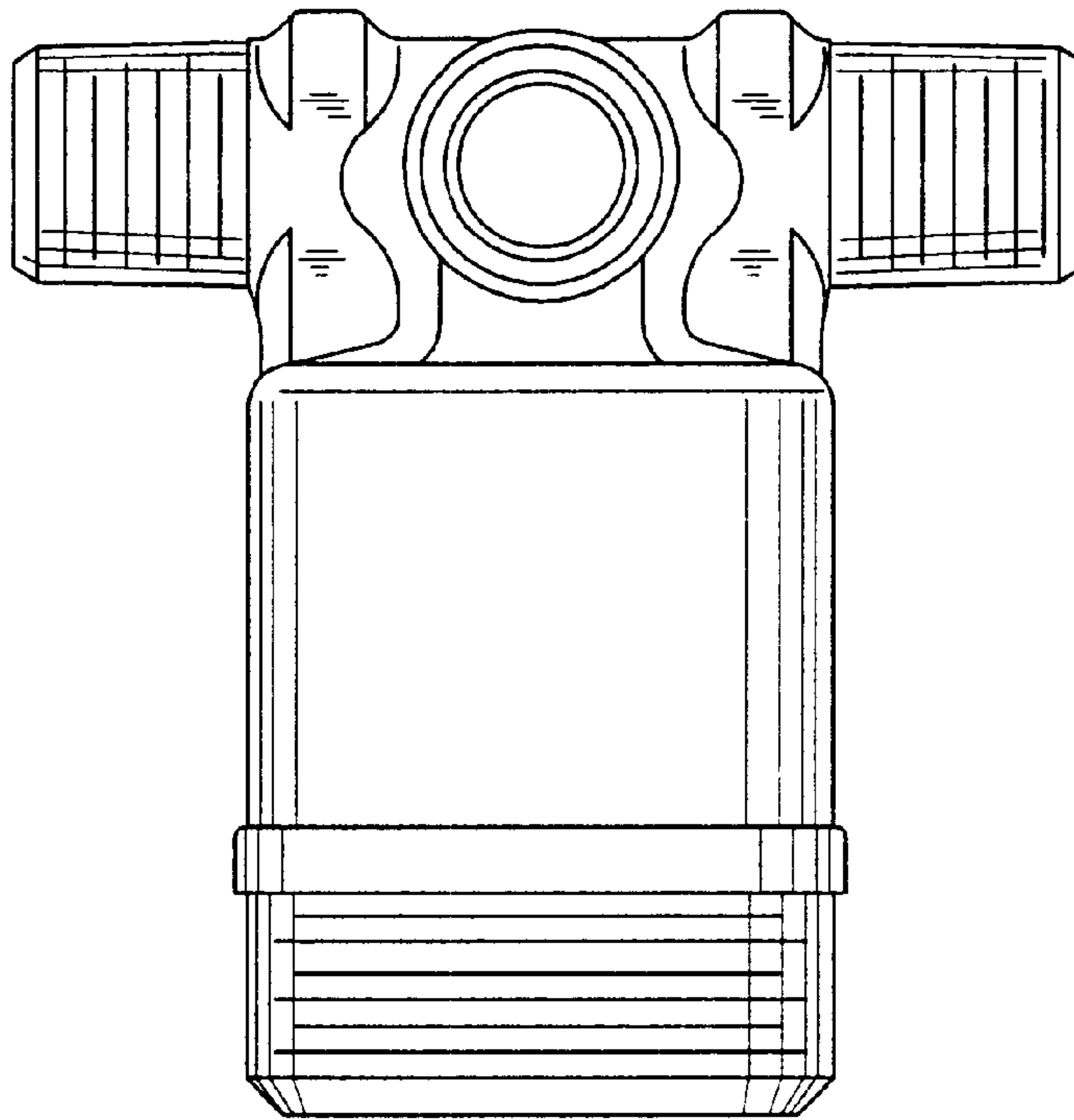


Fig-3

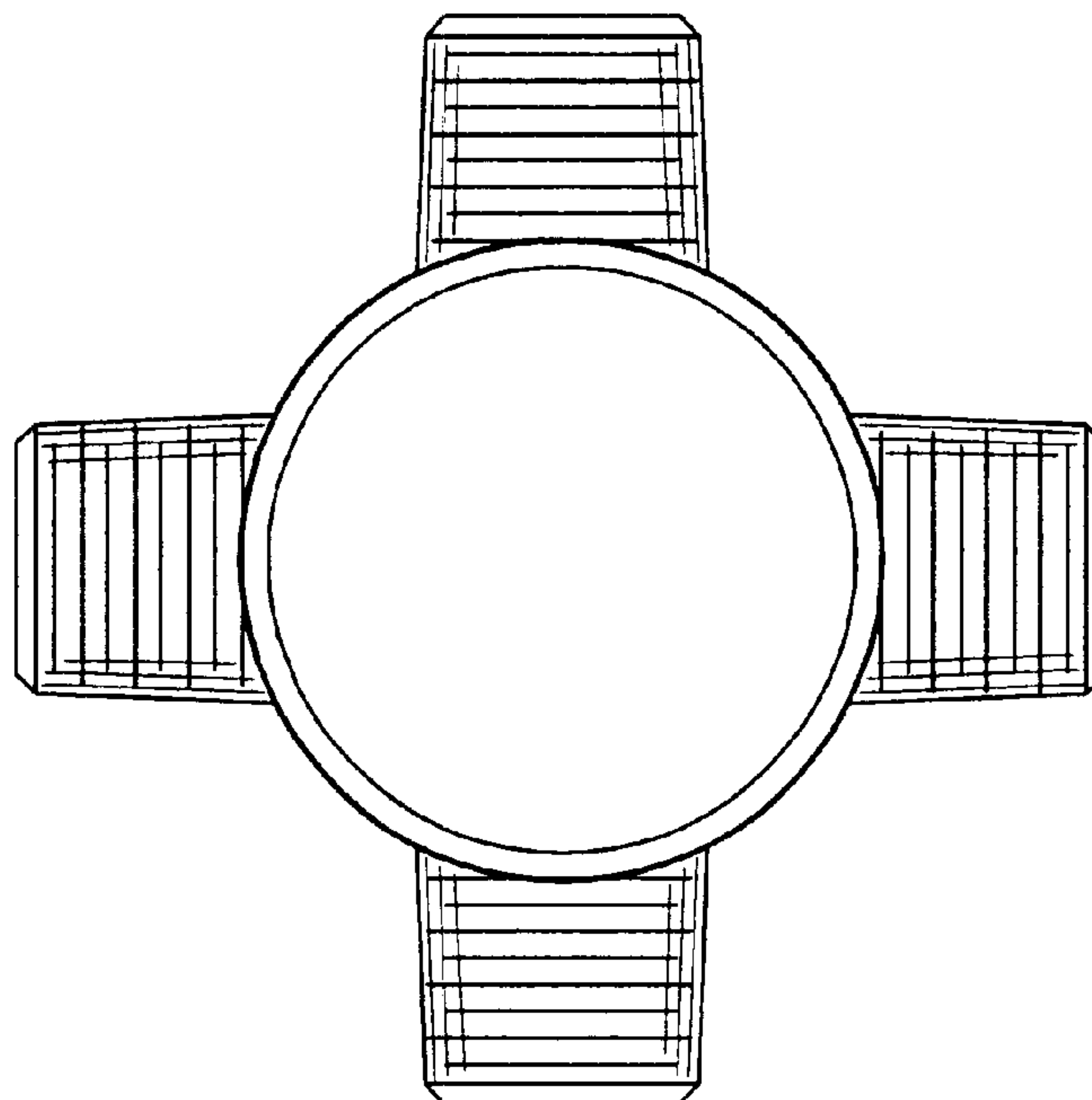


Fig-4

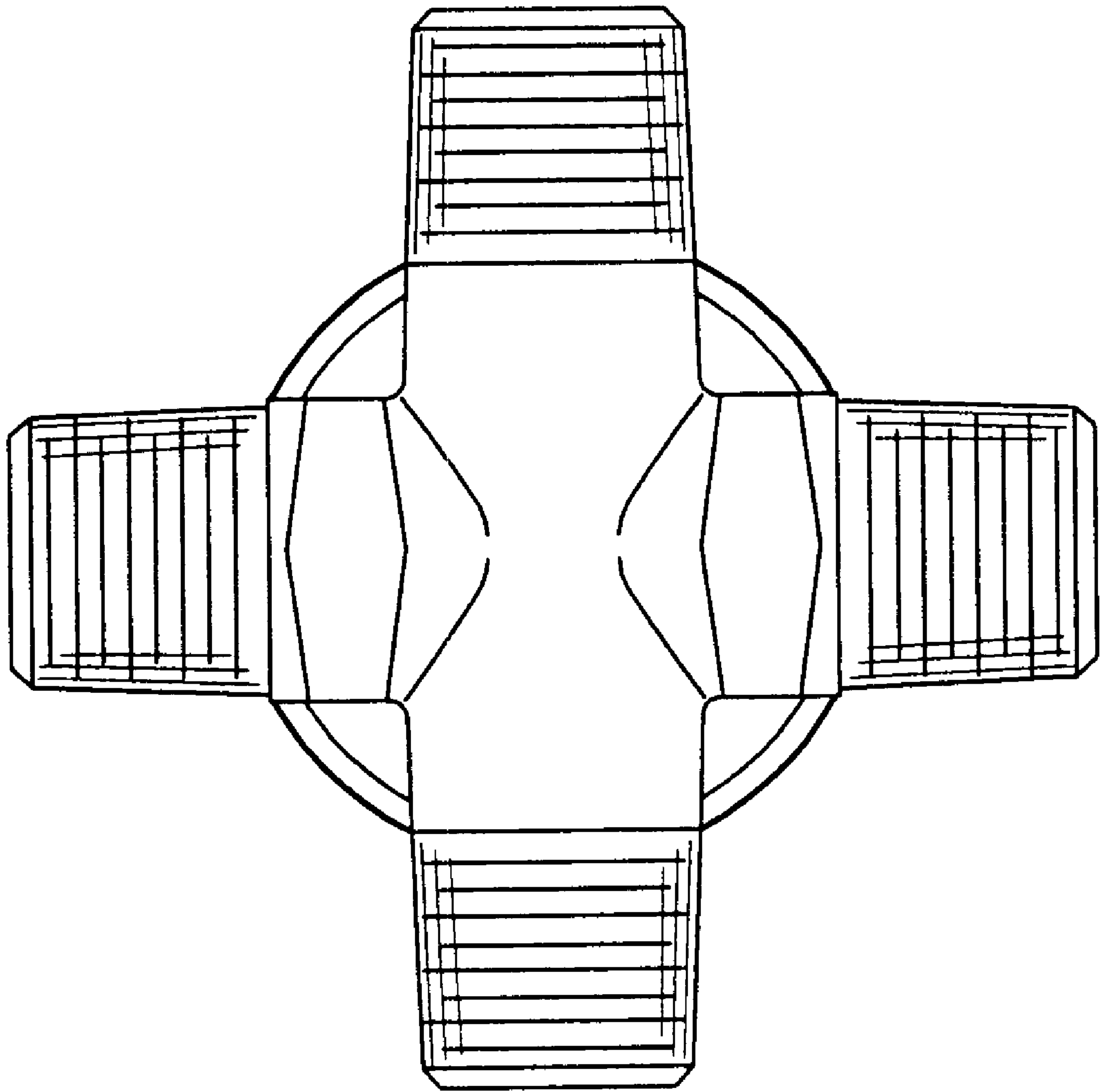


Fig-5