



US00D466188S

(12) **United States Design Patent**
Tse

(10) **Patent No.:** **US D466,188 S**

(45) **Date of Patent:** **** Nov. 26, 2002**

(54) **SHOWERHEAD**

D453,551 S * 2/2002 Lindholm et al. D23/229

(75) Inventor: **Hing Fai Tse**, New Territories (HK)

* cited by examiner

(73) Assignee: **Brand New Technology Ltd.**, Kowloon (HK)

Primary Examiner—Robin V. Taylor

(74) *Attorney, Agent, or Firm*—Leydig, Voit & Mayer, Ltd.

(**) Term: **14 Years**

(57) **CLAIM**

(21) Appl. No.: **29/153,223**

The ornamental design for a showerhead, as shown and described.

(22) Filed: **Jan. 8, 2002**

DESCRIPTION

(51) **LOC (7) Cl.** **23-01**

(52) **U.S. Cl.** **D23/229**

(58) **Field of Search** D23/213, 223,
D23/226, 229, 230; 239/282, 283, 548

FIG. 1 is a front and right side perspective view of a showerhead showing my new design;

FIG. 2 is a front elevational view thereof;

FIG. 3 is a rear elevational view thereof;

FIG. 4 is a right side elevational view thereof;

FIG. 5 is a left side elevational view thereof;

FIG. 6 is a top plan view thereof; and,

FIG. 7 is a bottom plan view thereof.

(56) **References Cited**

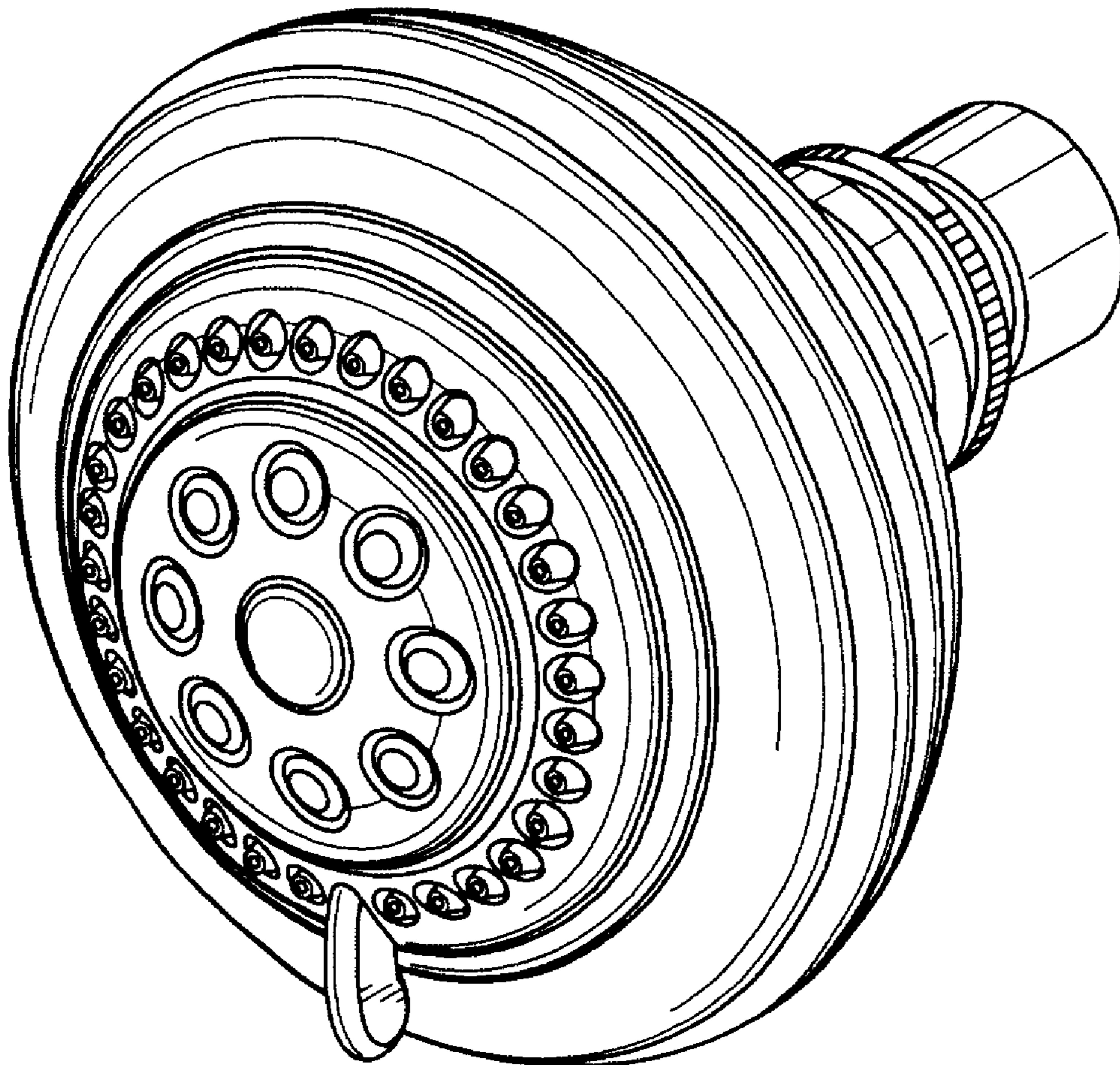
U.S. PATENT DOCUMENTS

D429,795 S * 8/2000 Tse D23/229

D451,171 S * 11/2001 Lindholm et al. D23/229

D452,553 S * 12/2001 Lindholm et al. D23/229

1 Claim, 4 Drawing Sheets



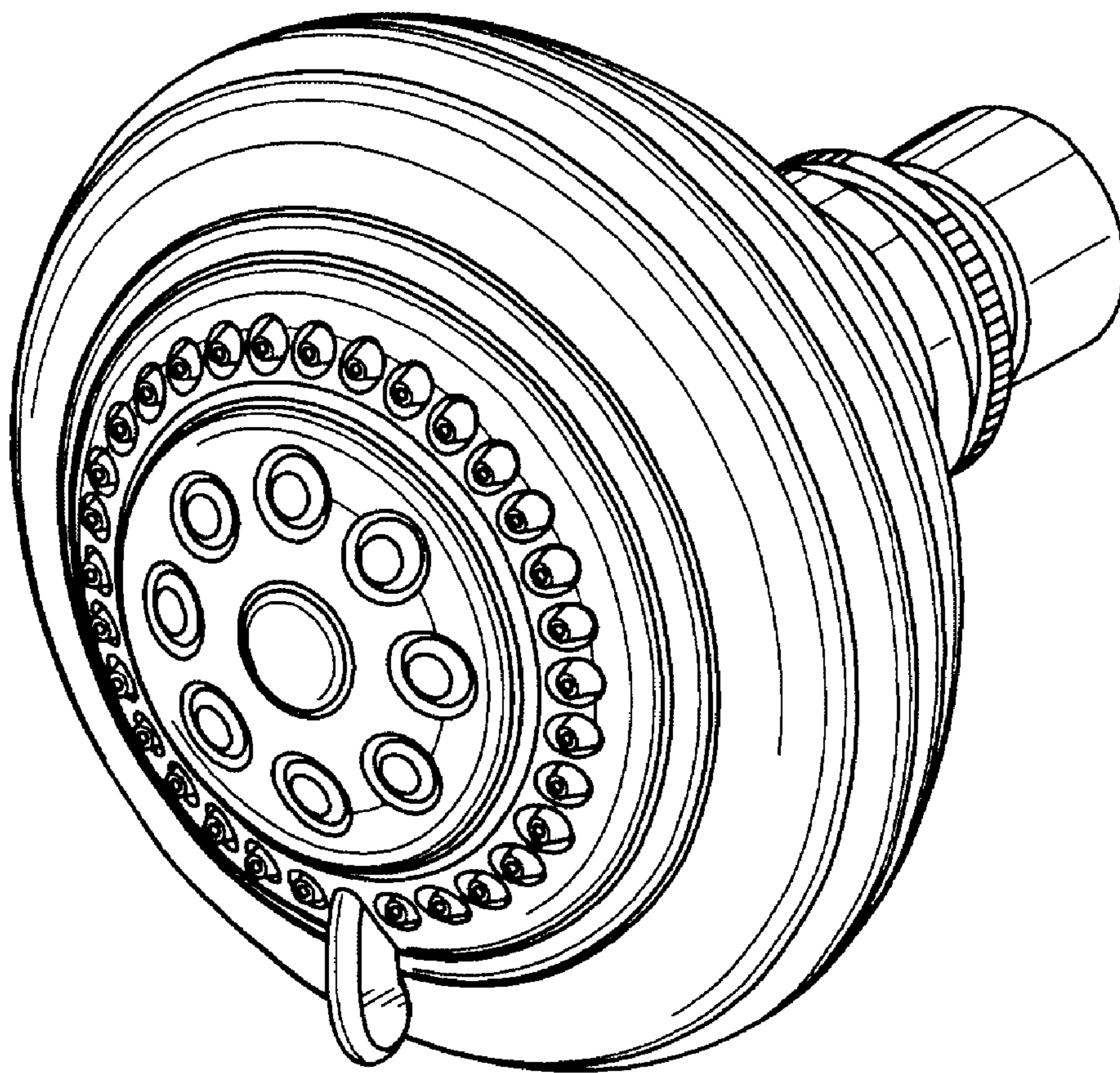


FIG. 1

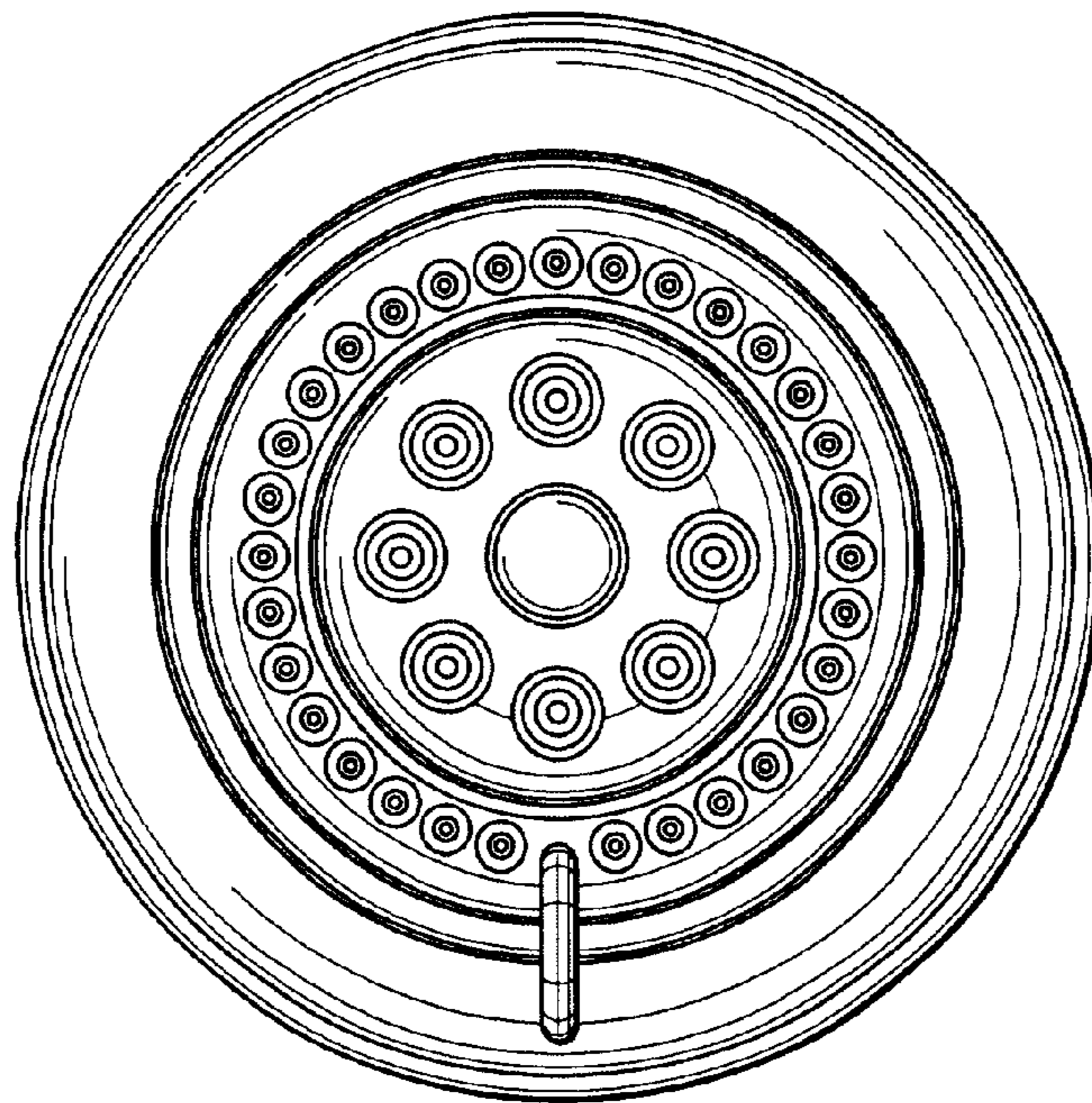


FIG. 2

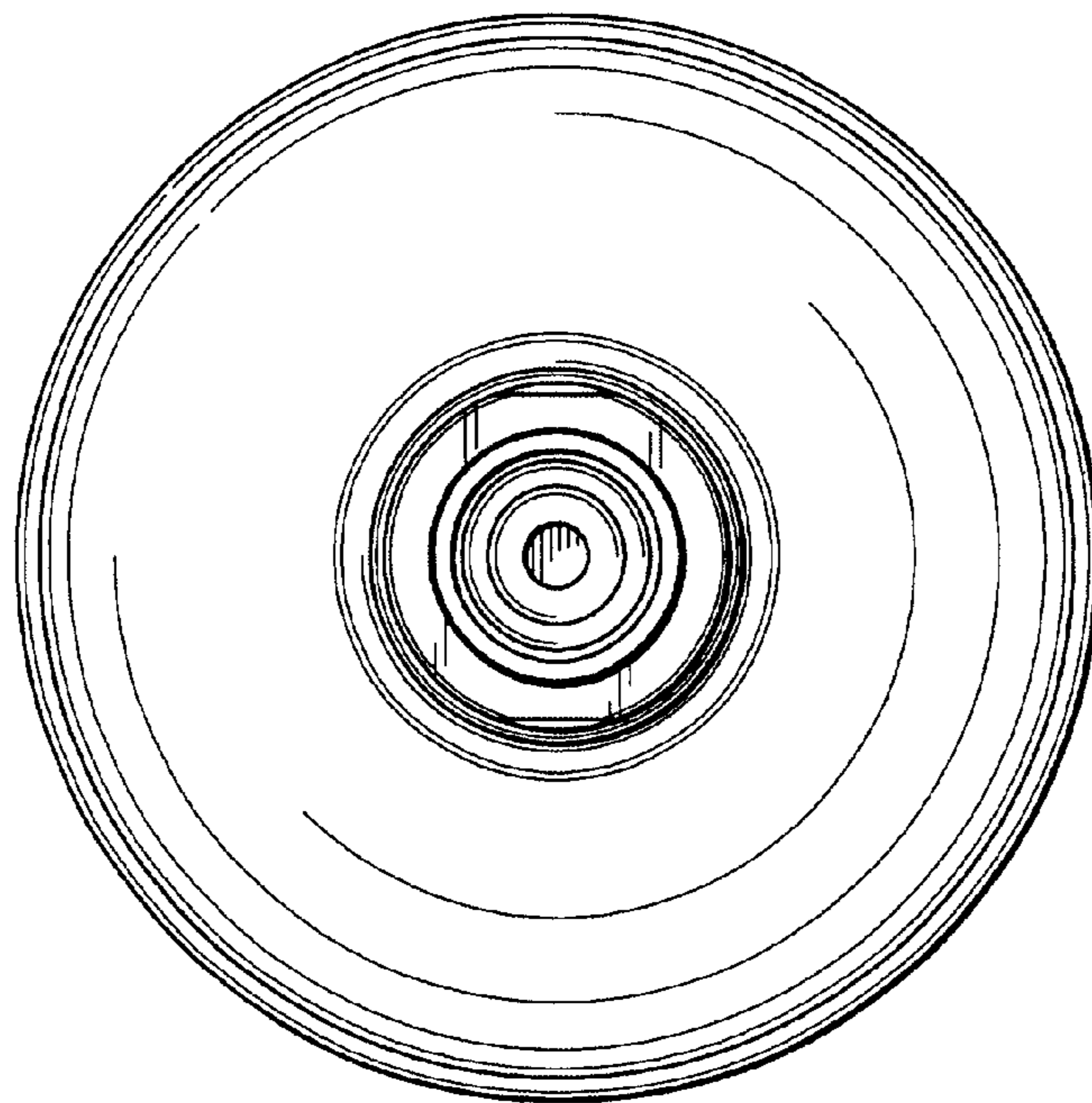


FIG. 3

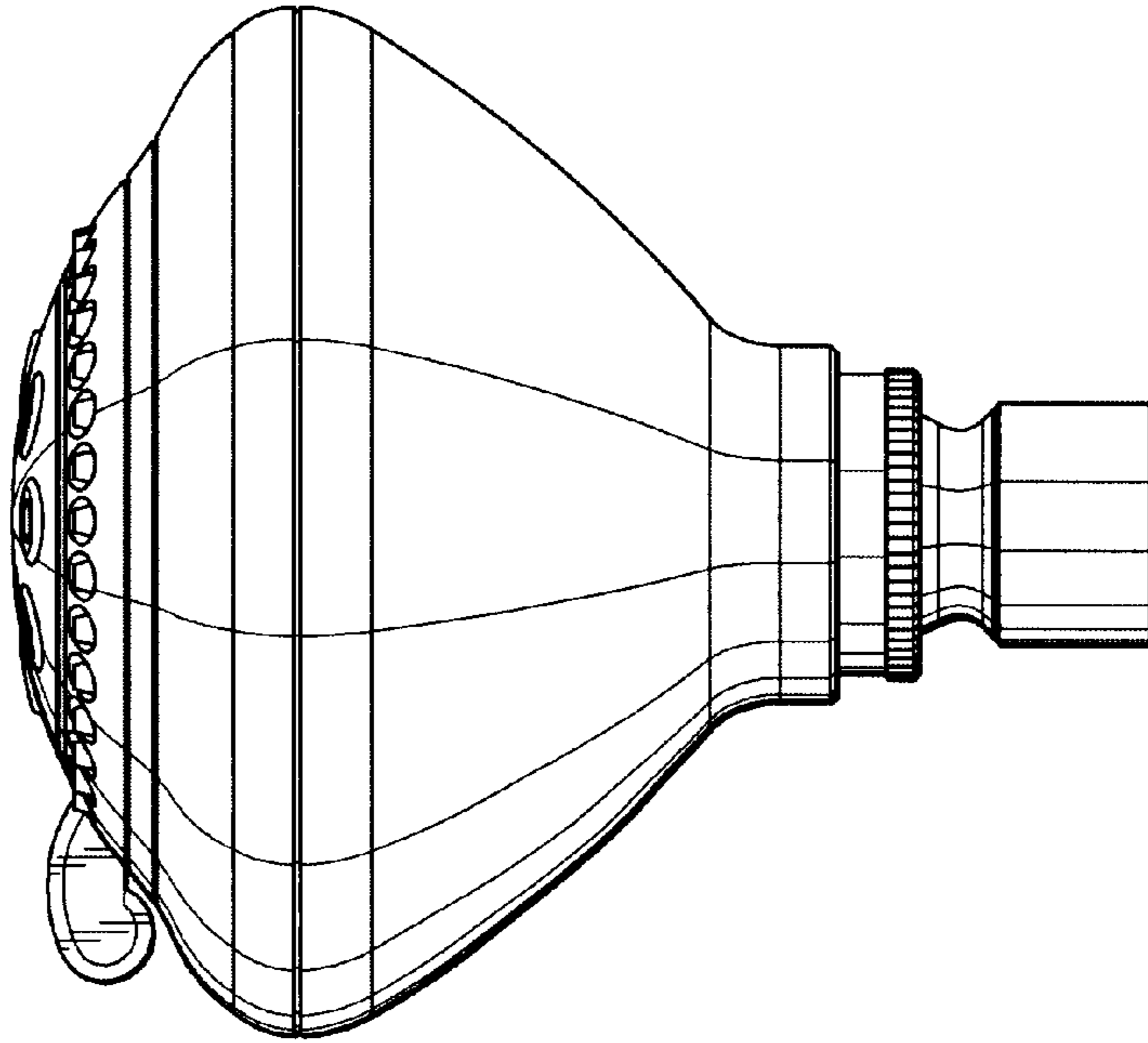


FIG. 4

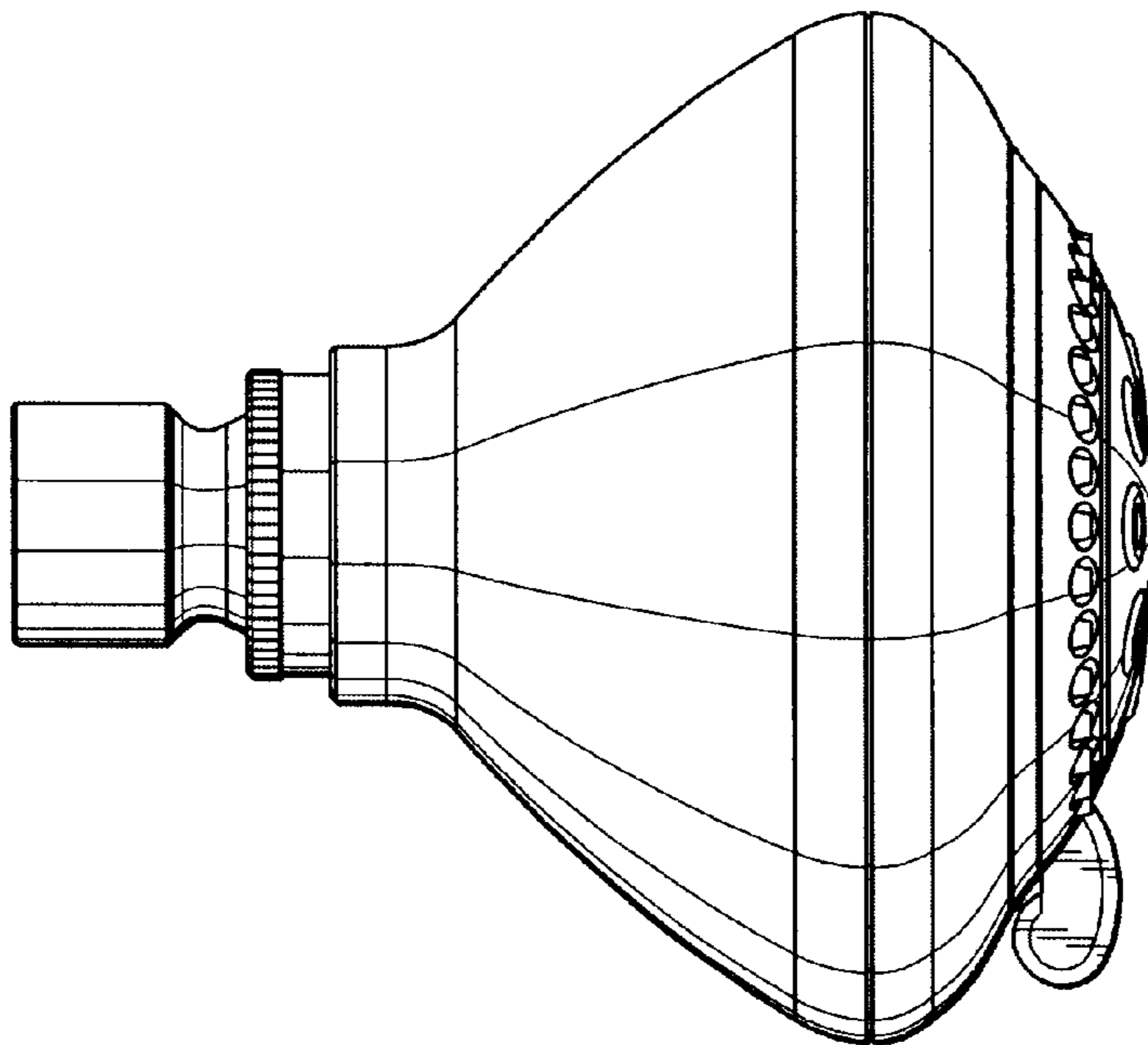


FIG. 5

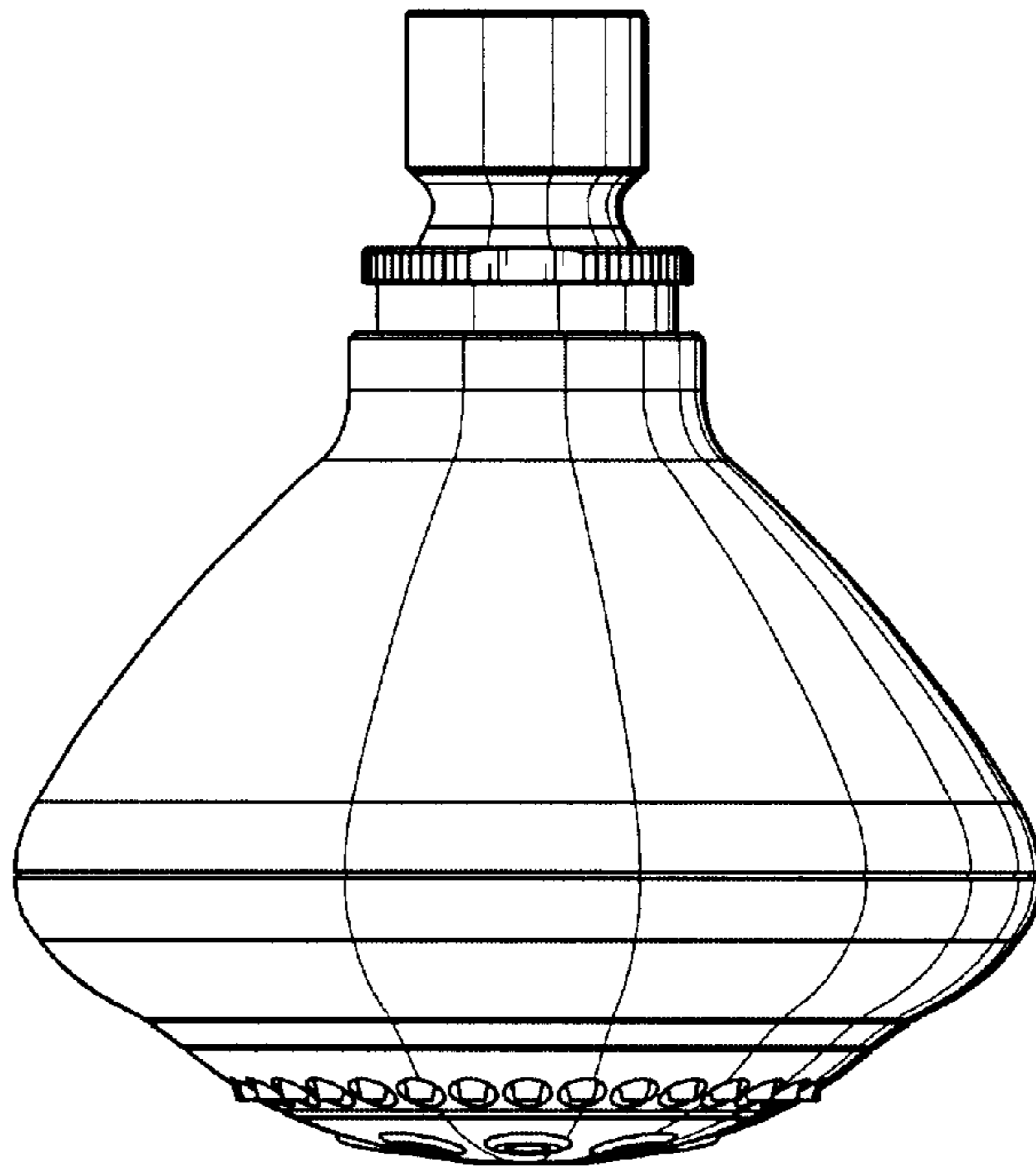


FIG. 6

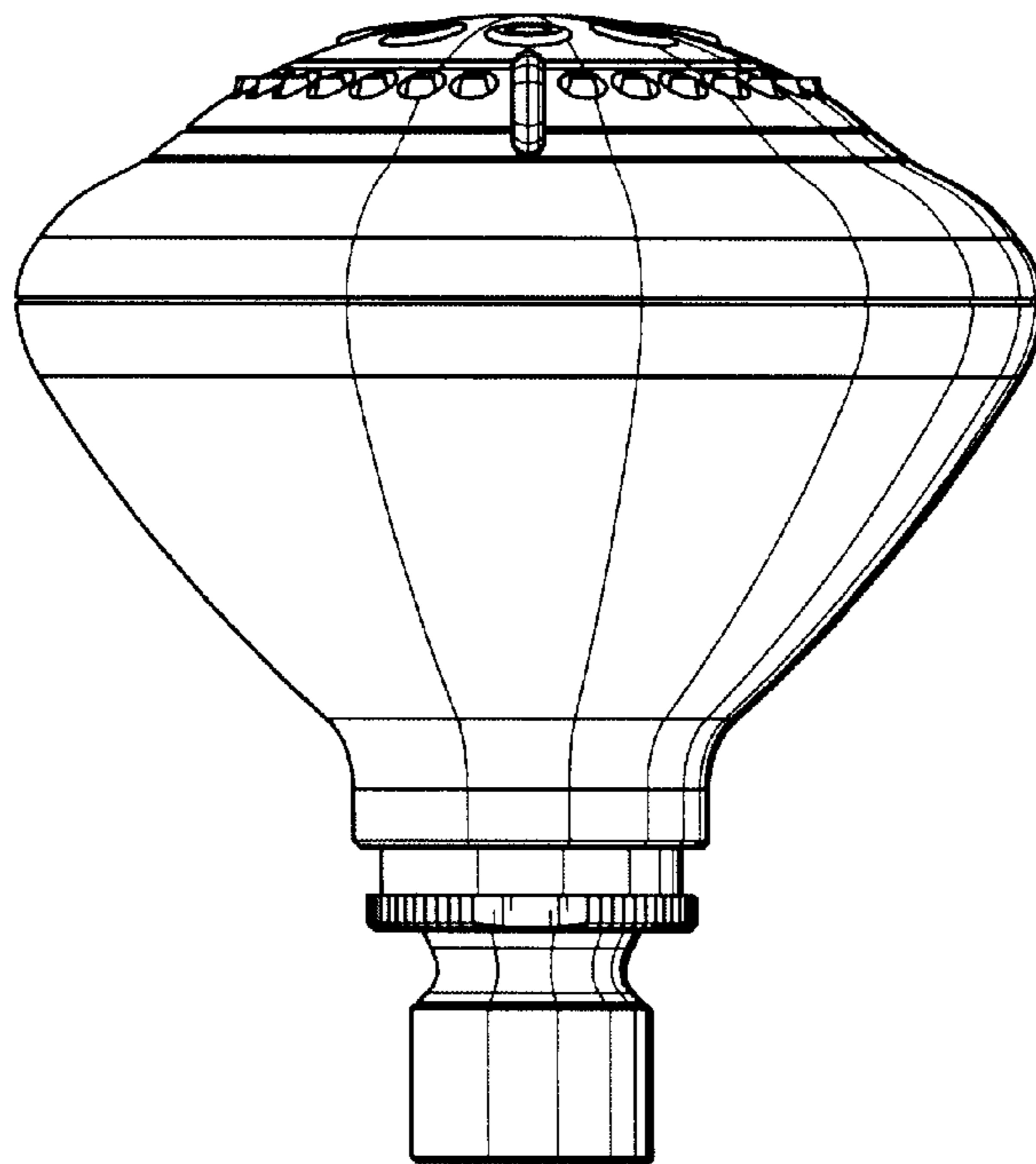


FIG. 7